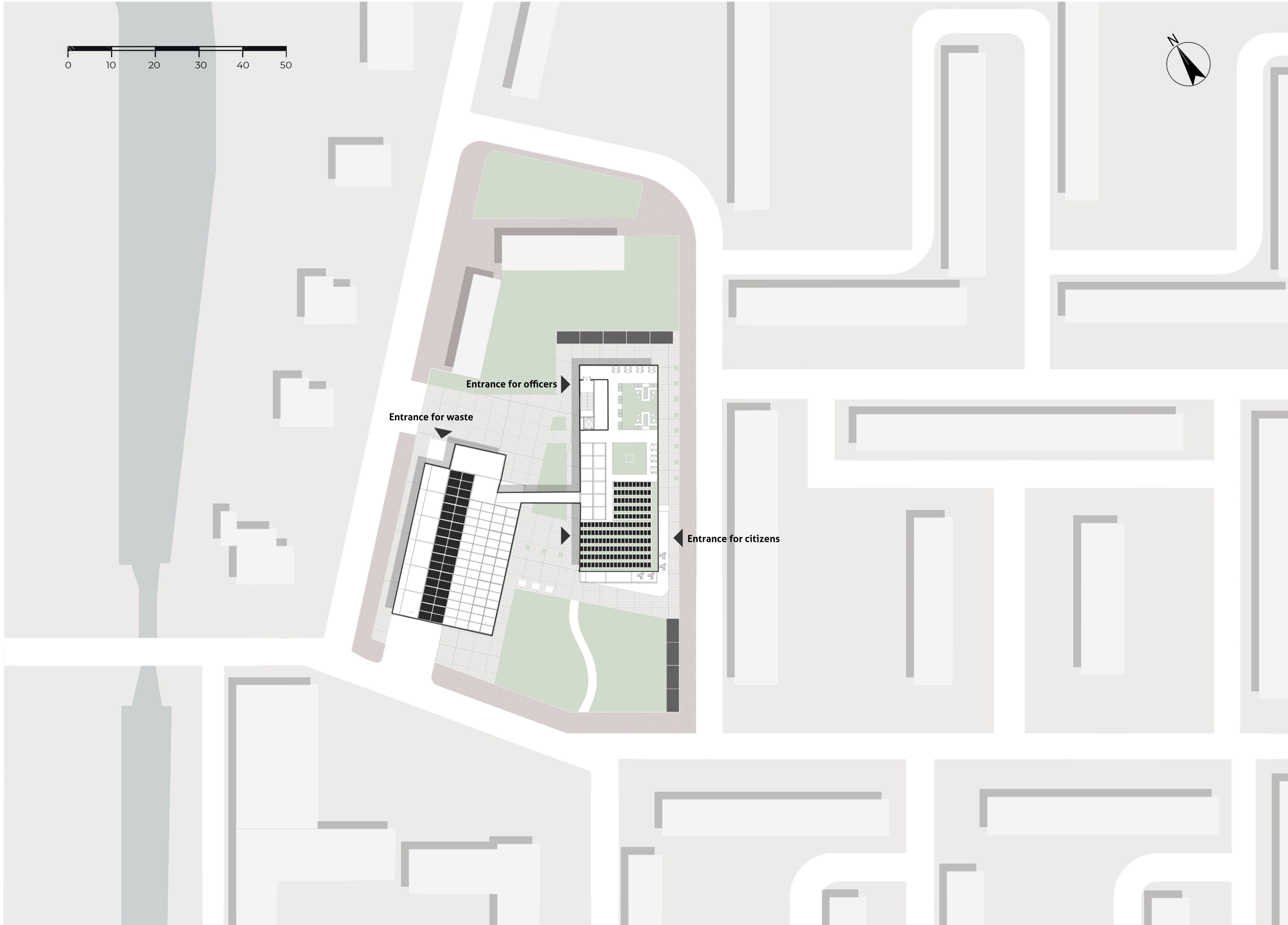
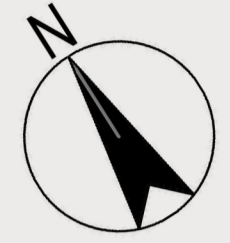
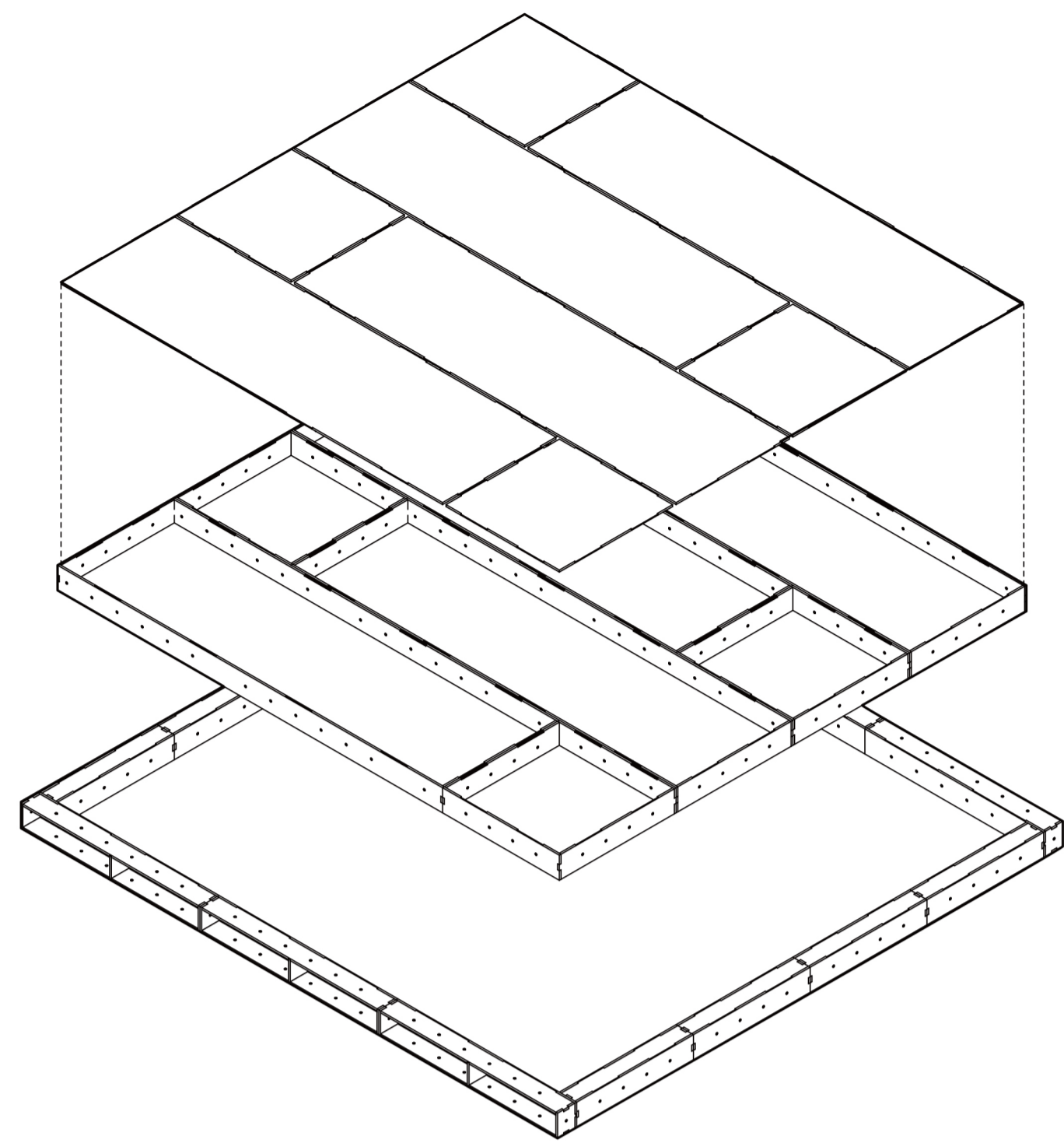


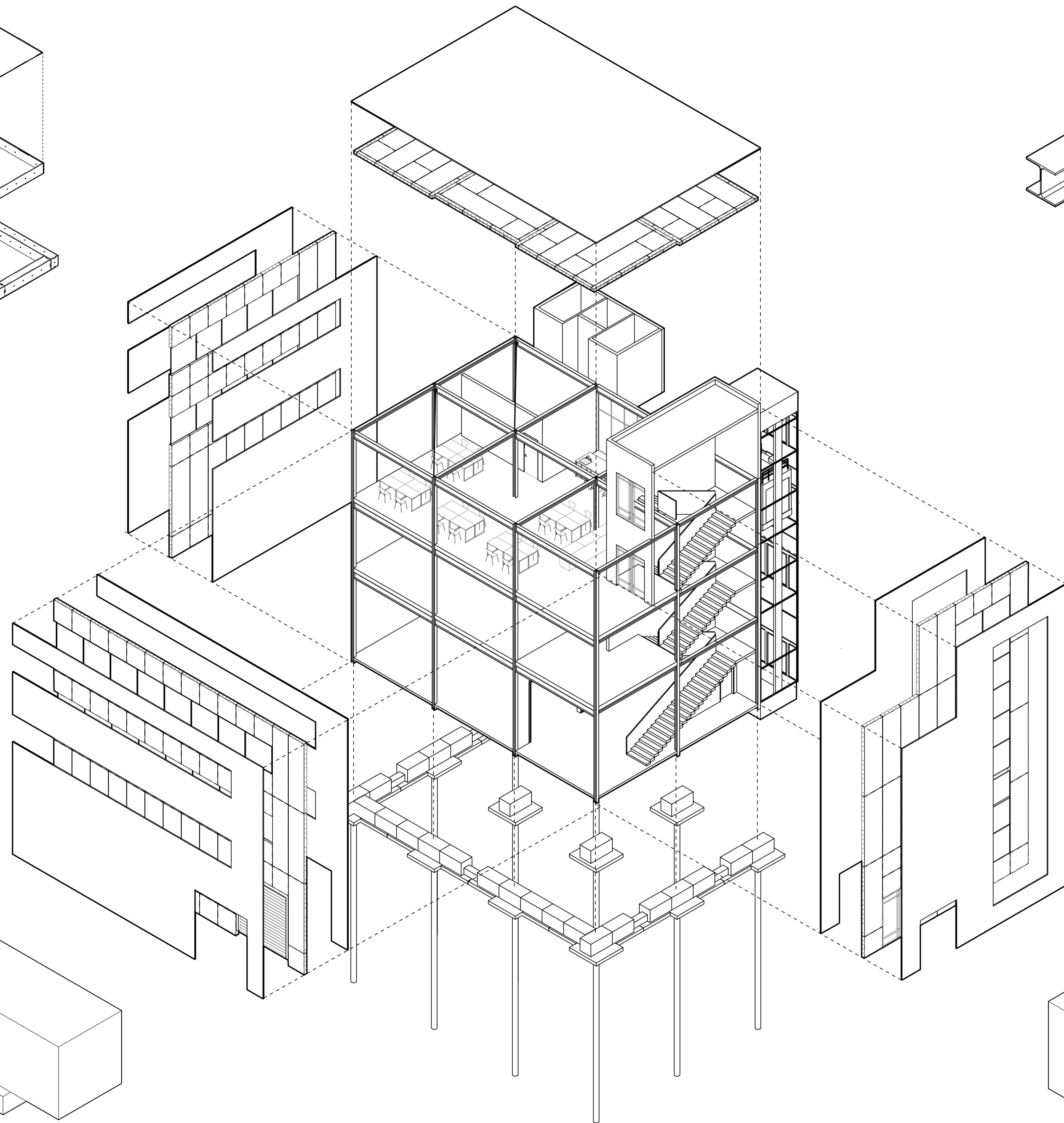
Anatomical perspective



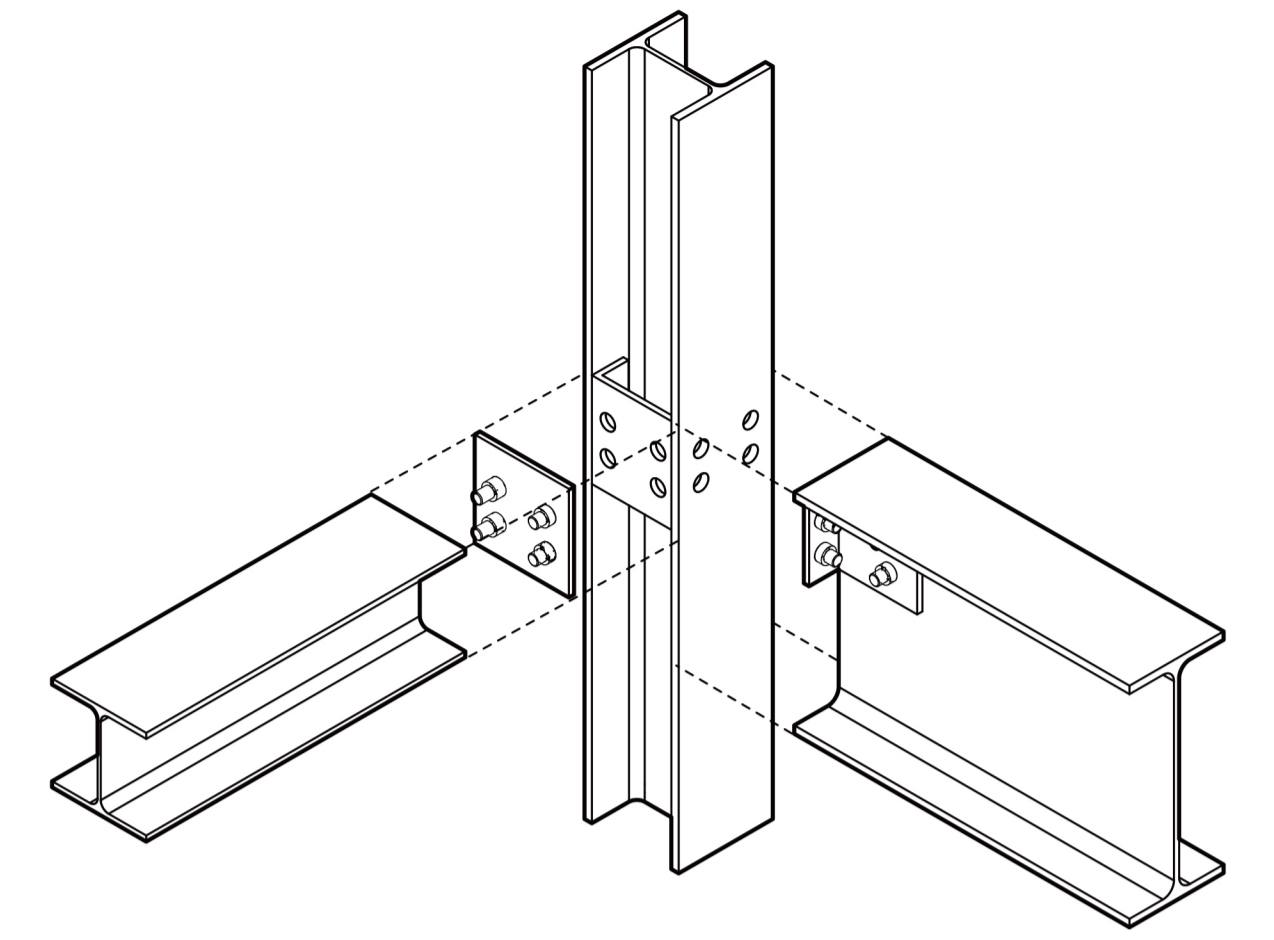
Master planning 1:400



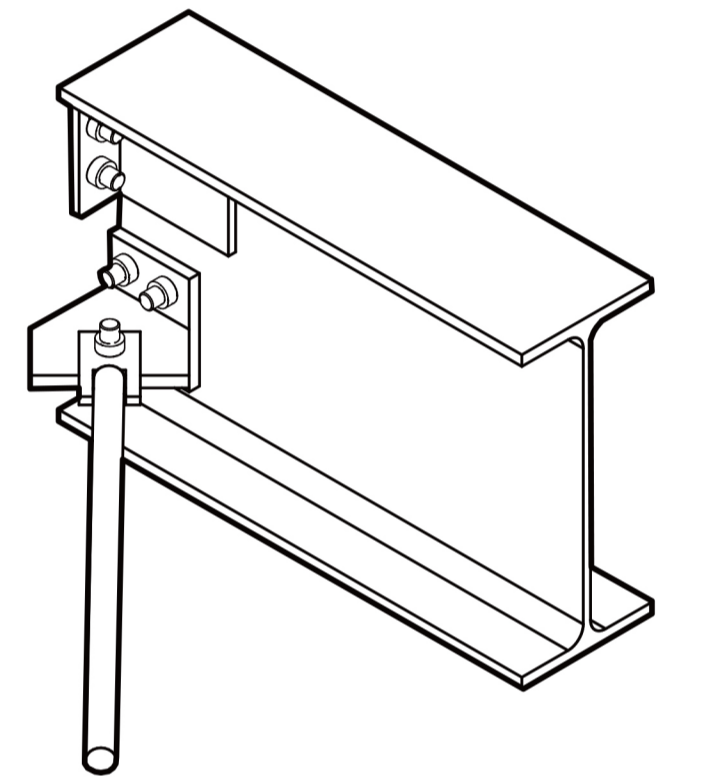
U-BUILD JOINT



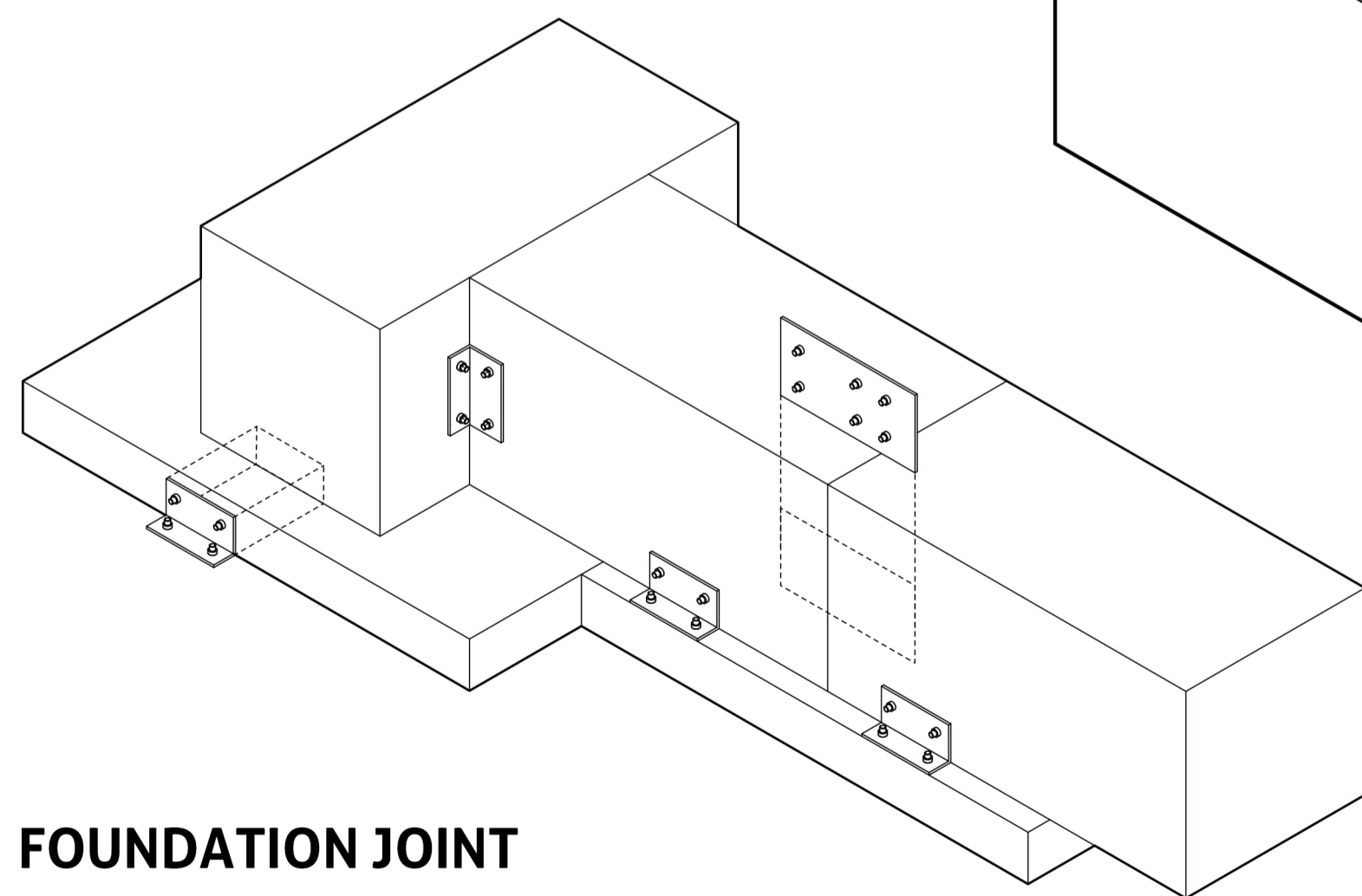
DISASSEMBLY DESIGN



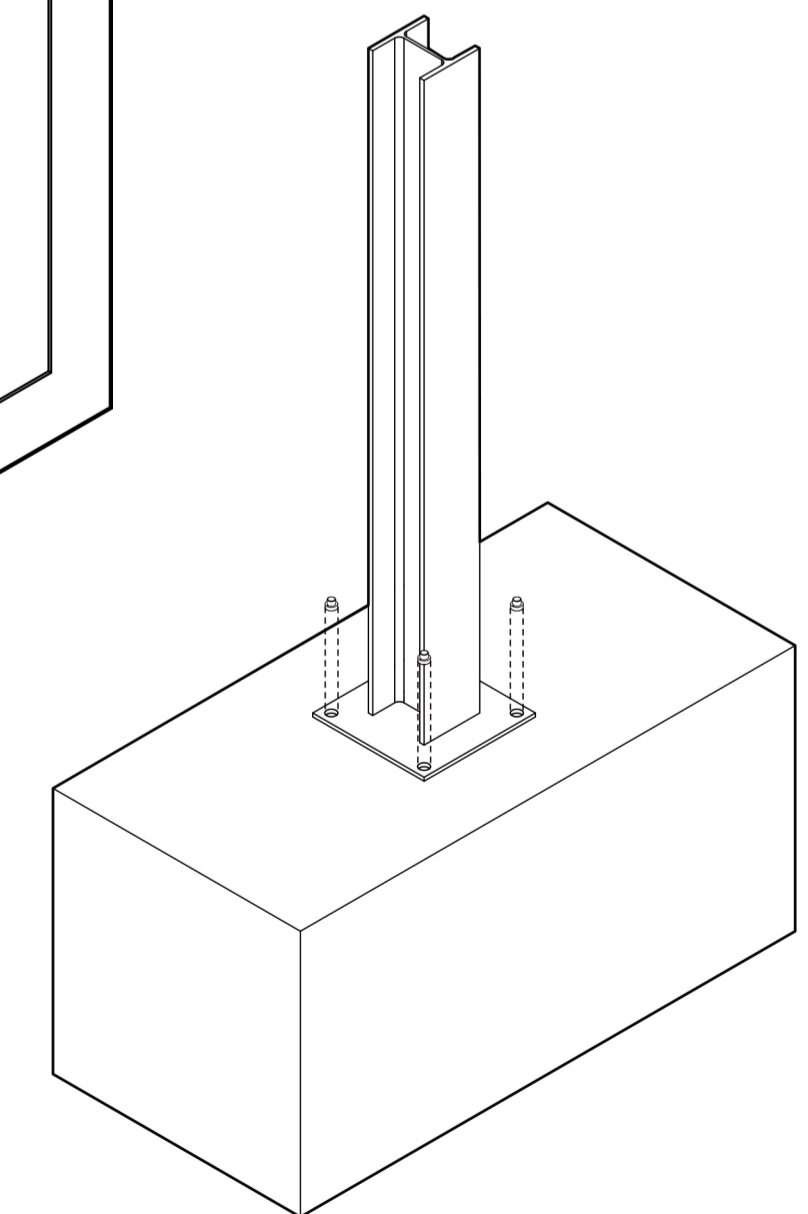
STEEL BEAM & COLUMN JOINT



BRACING WITH BEAM JOINT



FOUNDATION JOINT



FOUNDATION & STEEL JOINT