

## Document Version

Final published version

## Citation (APA)

Rozsa, N. N. M., Kim, T., Guo, P., Hopf, Y. M., Voorneveld, J., Dos Santos, D. S., Noothout, E., Chang, Z. Y., Chen, C., De Jong, N., Vos, H. J., Bosch, J. G., Verweij, M. D., Pertijs, M. A. P., & More Authors (2025). Correction to "A 2000-Volts/s 3-D Ultrasound Probe With Monolithically-Integrated  $23 \times 23$ -mm<sup>2</sup> 4096-Element CMUT Array" (*IEEE Journal of Solid-State Circuits* (2025) 60:4 (1397-1410) DOI: 10.1109/JSSC.2025.3534087). *IEEE Journal of Solid-State Circuits*, 60(8), 3066-3067. <https://doi.org/10.1109/JSSC.2025.3579579>

## Important note

To cite this publication, please use the final published version (if applicable).  
Please check the document version above.

## Copyright

In case the licence states "Dutch Copyright Act (Article 25fa)", this publication was made available Green Open Access via the TU Delft Institutional Repository pursuant to Dutch Copyright Act (Article 25fa, the Taverne amendment). This provision does not affect copyright ownership.  
Unless copyright is transferred by contract or statute, it remains with the copyright holder.

## Sharing and reuse

Other than for strictly personal use, it is not permitted to download, forward or distribute the text or part of it, without the consent of the author(s) and/or copyright holder(s), unless the work is under an open content license such as Creative Commons.

## Takedown policy

Please contact us and provide details if you believe this document breaches copyrights.  
We will remove access to the work immediately and investigate your claim.

**Green Open Access added to [TU Delft Institutional Repository](#)  
as part of the Taverne amendment.**

More information about this copyright law amendment  
can be found at <https://www.openaccess.nl>.

Otherwise as indicated in the copyright section:  
the publisher is the copyright holder of this work and the  
author uses the Dutch legislation to make this work public.

## Correction to “A 2000-Volumes/s 3-D Ultrasound Probe With Monolithically-Integrated $23 \times 23\text{-mm}^2$ 4096-Element CMUT Array”

Nuriel N. M. Rozsa<sup>1</sup>, *Member, IEEE*, Zhao Chen, *Member, IEEE*, Taehoon Kim<sup>2</sup>, *Member, IEEE*, Peng Guo<sup>3</sup>, *Member, IEEE*, Yannick M. Hopf, *Member, IEEE*, Jason Voorneveld<sup>4</sup>, *Member, IEEE*, Djalma Simoes dos Santos<sup>5</sup>, *Member, IEEE*, Emile Noothout, Zu-Yao Chang, Chao Chen<sup>6</sup>, *Member, IEEE*, Vincent A. Henneken, Nico de Jong, *Member, IEEE*, Hendrik J. Vos, *Member, IEEE*, Johan G. Bosch<sup>7</sup>, *Member, IEEE*, Martin D. Verweij<sup>8</sup>, *Member, IEEE*, and Michiel A. P. Pertijs<sup>9</sup>, *Senior Member, IEEE*

**I**N [1], there is a mistake in the timing diagram shown in Fig. 6. Switches  $S_1$ – $S_4$  are skipping some of the samples and the rate at which they are operating implies a TDM rate of 10 MHz, whereas (as described in [1]) this should be 20 MHz. In the updated Fig. 6,  $S_1$ – $S_4$  have been updated

and a minor change has been made to the timing shown for switches  $Q_1$  and  $Q_2$ , such that the correct TDM rate is indicated and no sample provided to the S/H stage via  $N_1$ – $N_4$  is skipped in the diagram.

Received 11 June 2025; accepted 11 June 2025. Date of current version 25 July 2025. (*Corresponding author: Nuriel N. M. Rozsa.*)

Nuriel N. M. Rozsa, Taehoon Kim, Peng Guo, Zu-Yao Chang, and Michiel A. P. Pertijs are with the Department of Microelectronics, Delft University of Technology, 2628 CM Delft, The Netherlands (e-mail: n.n.m.rozsa@tudelft.nl).

Zhao Chen and Vincent A. Henneken are with Philips Innovation and Strategy, 5656 AE Eindhoven, The Netherlands.

Yannick M. Hopf is with the Department of Microelectronics, Delft University of Technology, 2628 CM Delft, The Netherlands, and also with Sonosilicon, 2629 JD Delft, The Netherlands.

Jason Voorneveld and Johan G. Bosch are with the Department of Cardiology, Thorax Biomedical Engineering, Erasmus MC University Medical Center, 3015 GD Rotterdam, The Netherlands.

Djalma Simoes dos Santos and Emile Noothout are with the Department of Imaging Physics, Delft University of Technology, 2628 CJ Delft, The Netherlands.

Chao Chen is with the Department of Microelectronics, Delft University of Technology, 2628 CM Delft, The Netherlands, and also with Sonosilicon, Hangzhou, Zhejiang 310059, China.

Nico de Jong, Hendrik J. Vos, and Martin D. Verweij are with the Department of Imaging Physics, Delft University of Technology, 2628 CJ Delft, The Netherlands, and also with the Department of Cardiology, Thorax Biomedical Engineering, Erasmus MC University Medical Center, 3015 GD Rotterdam, The Netherlands.

Digital Object Identifier 10.1109/JSSC.2025.3579579

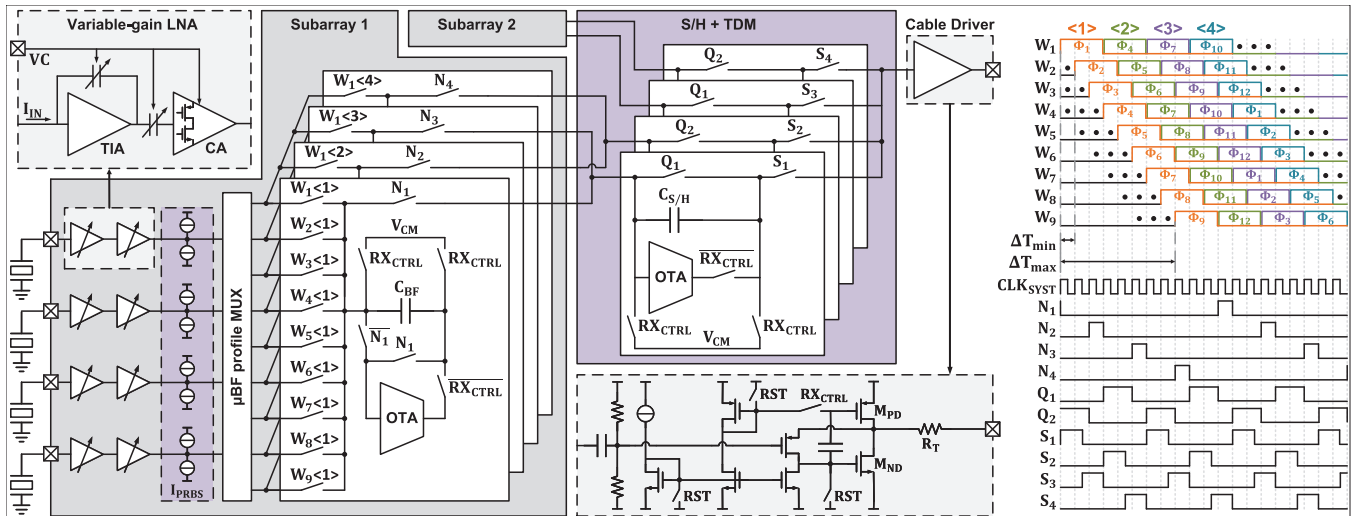


Fig. 6.

REFERENCES

[1] N. N. M. Rozsa et al., "A 2000-volumes/s 3-D ultrasound probe with monolithically-integrated 23 × 23-mm<sup>2</sup> 4096 -element CMUT array," *IEEE J. Solid-State Circuits*, vol. 60, no. 4, pp. 1397–1410, Apr. 2025, doi: 10.1109/JSSC.2025.3534087.