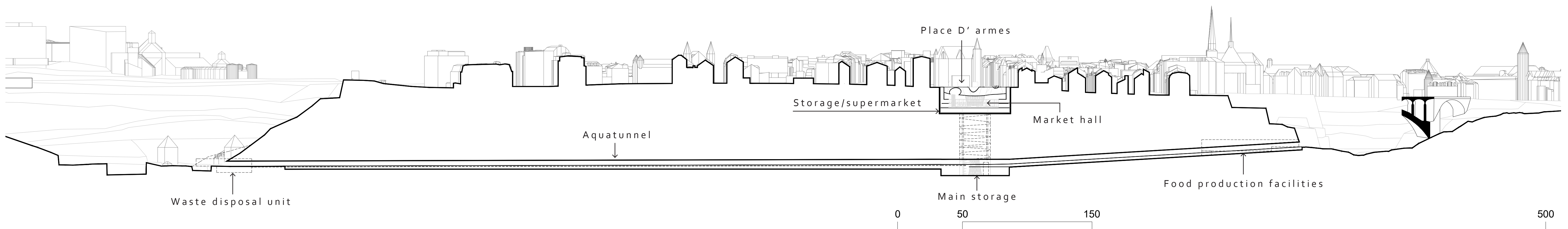
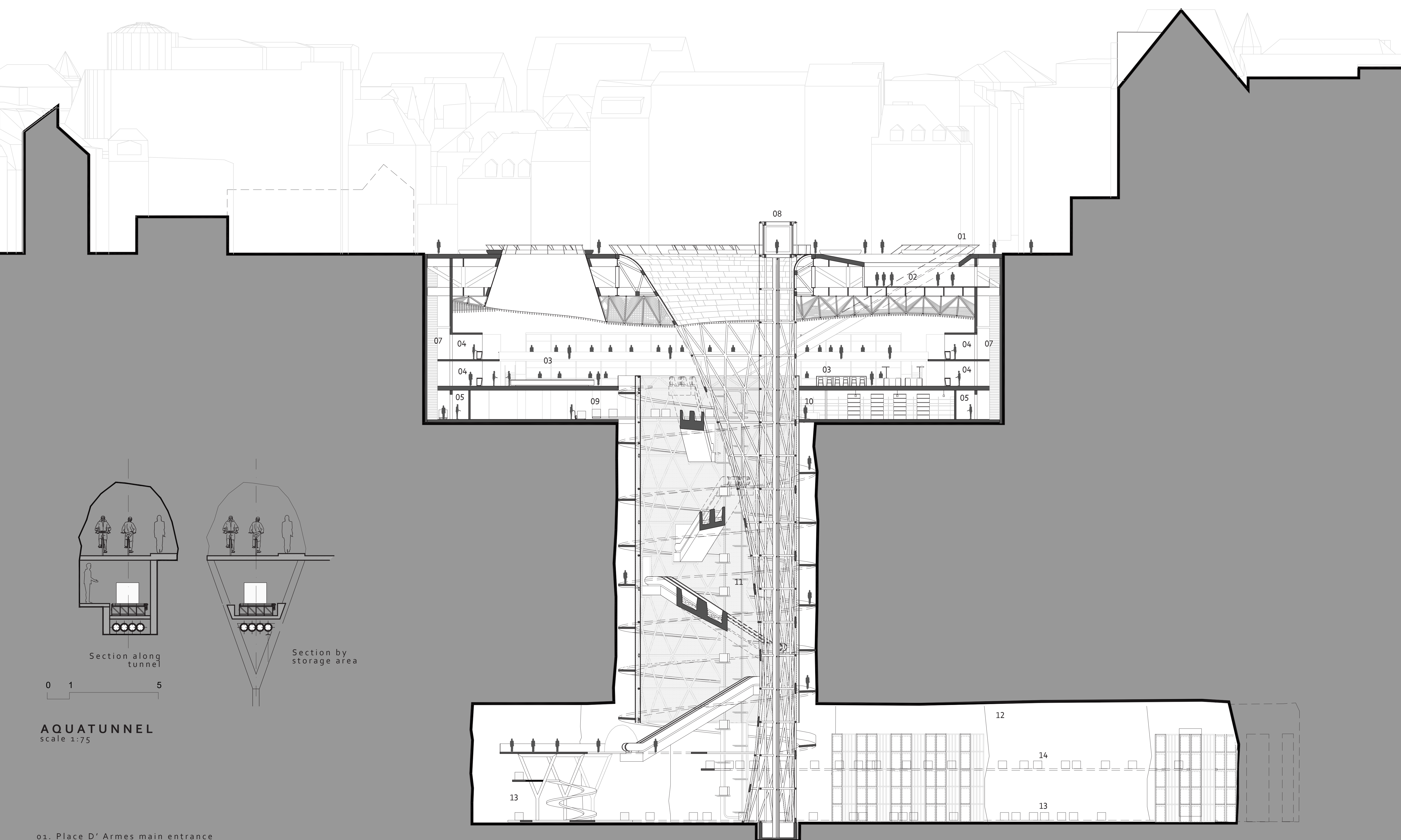
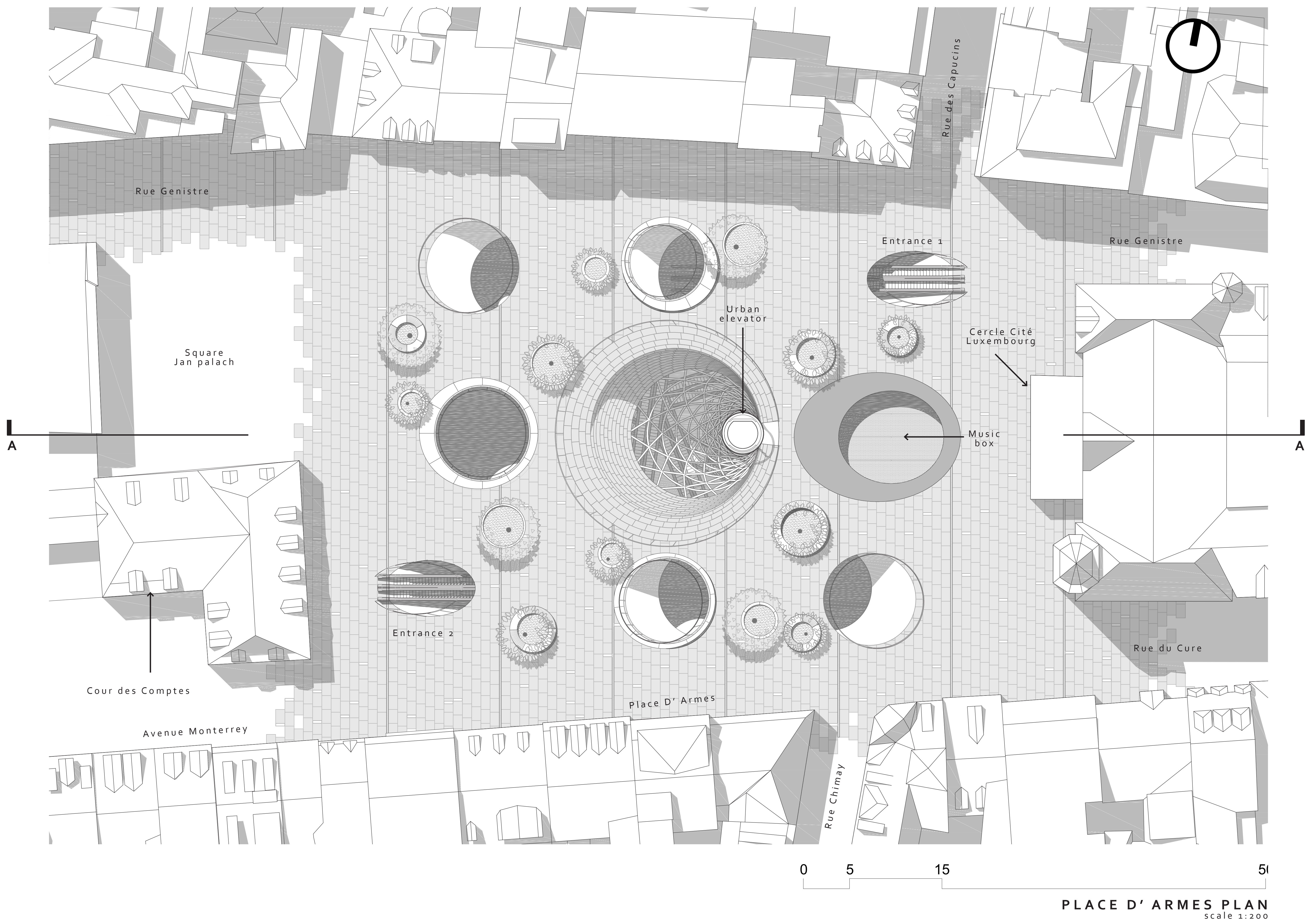


SITE PLAN  
scale 1:1500

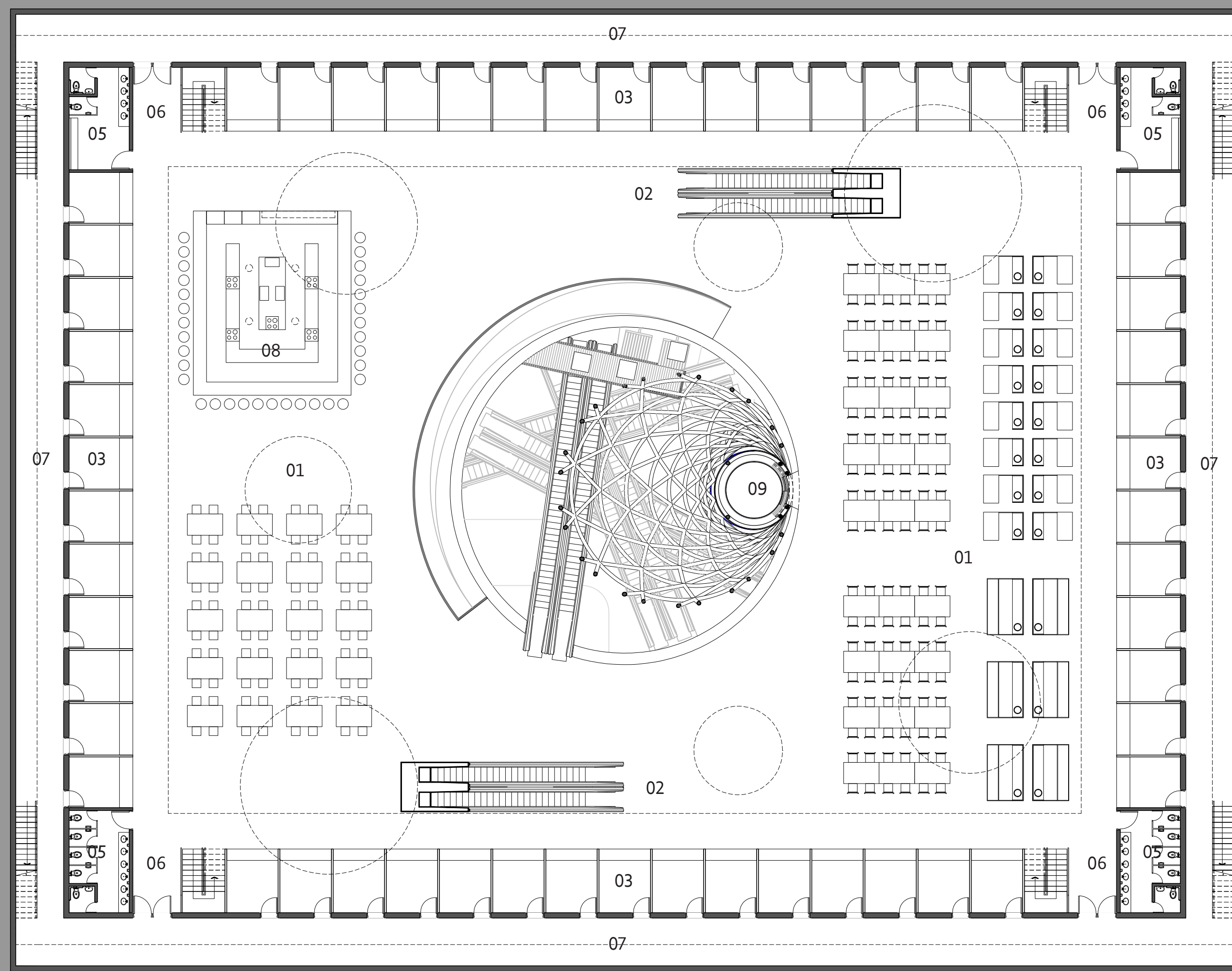


SITE SECTION PLAN  
scale 1:1500



- 01. Place D'Armes main entrance
- 02. Music box
- 03. Food court
- 04. Stalls
- 05. Private storage rooms
- 06. Supermarket
- 07. Technical/ventilation void
- 08. Urban elevator
- 09. Deliveries
- 10. Supermarket
- 11. Goods vertical route
- 12. Storage Level
- 13. Goods-in route
- 14. Goods-out route

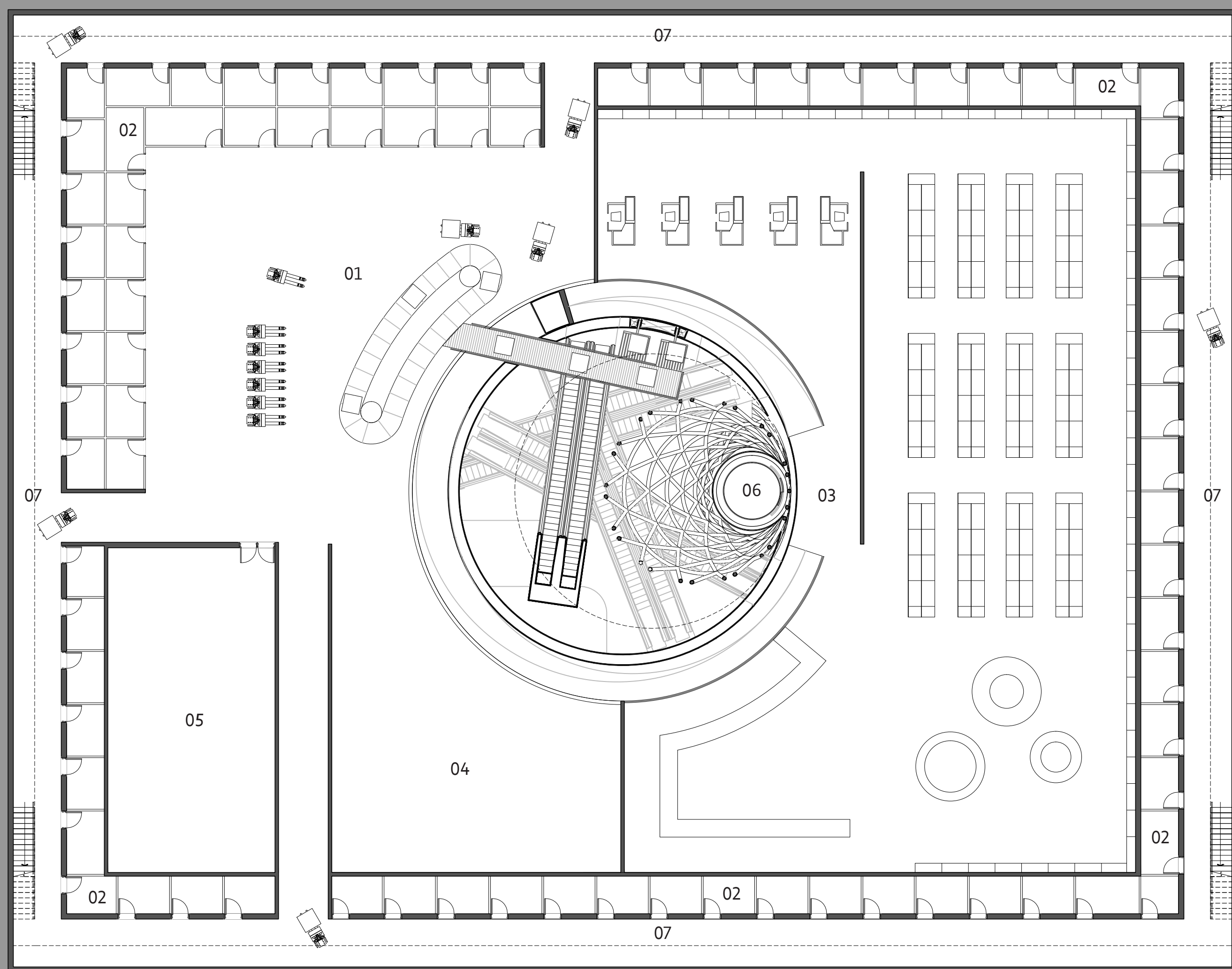
**SECTION AA**  
Scale 1:200



- 01. Food court
- 02. Main entrances
- 03. Stalls level 1
- 04. Stalls level 0
- 05. Toilets
- 06. Emergency exit
- 07. Technical/ventilation void
- 08. Open kitchen
- 09. Urban elevator

0 5 15 50

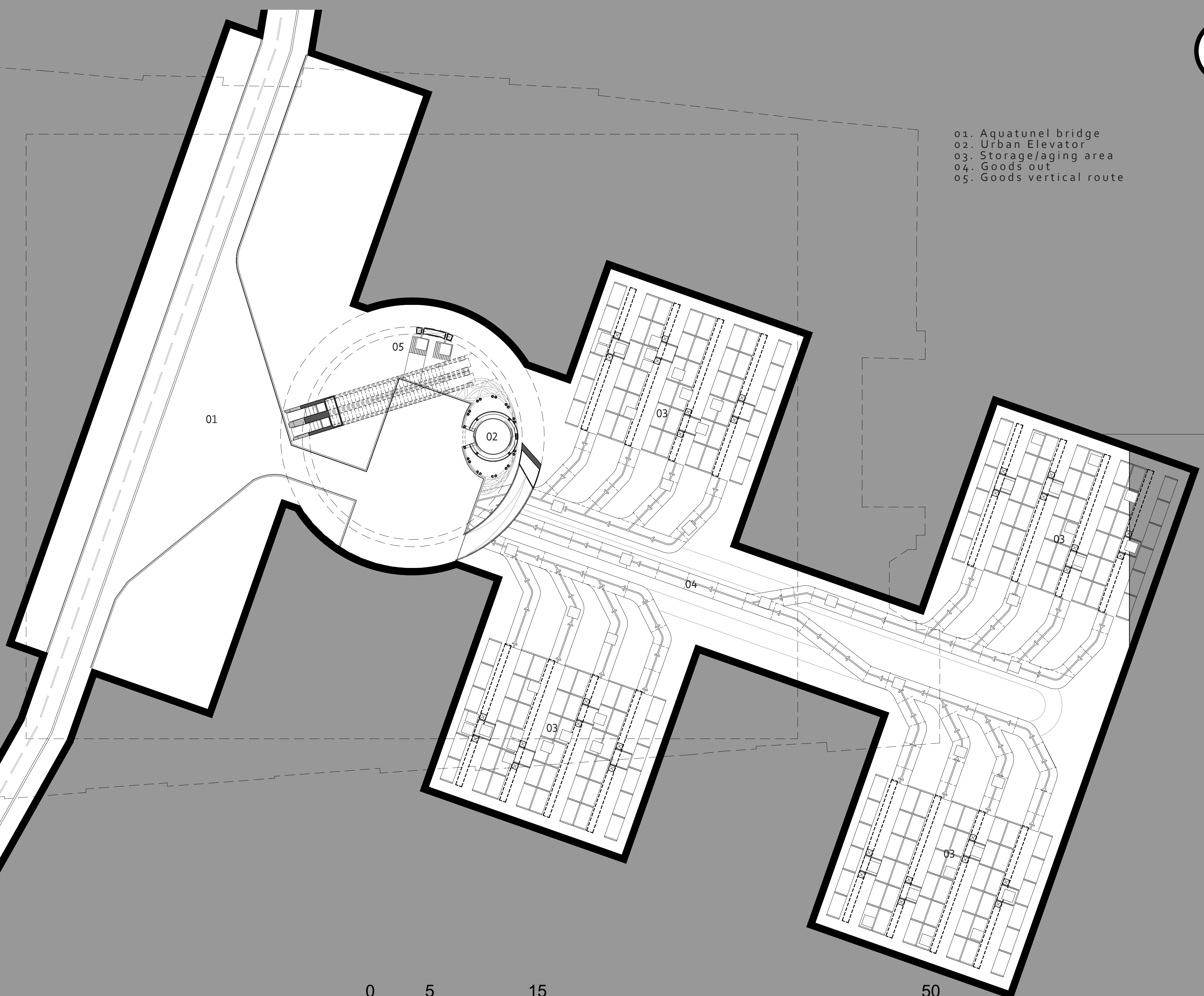
**MARKET HALL LEVEL**  
scale 1:200



- 01. Deliveries
- 02. Private storage units
- 03. Supermarket
- 04. Supermarket storage
- 05. Employees area
- 06. Urban elevator
- 07. Distribution route

0 5 15 50

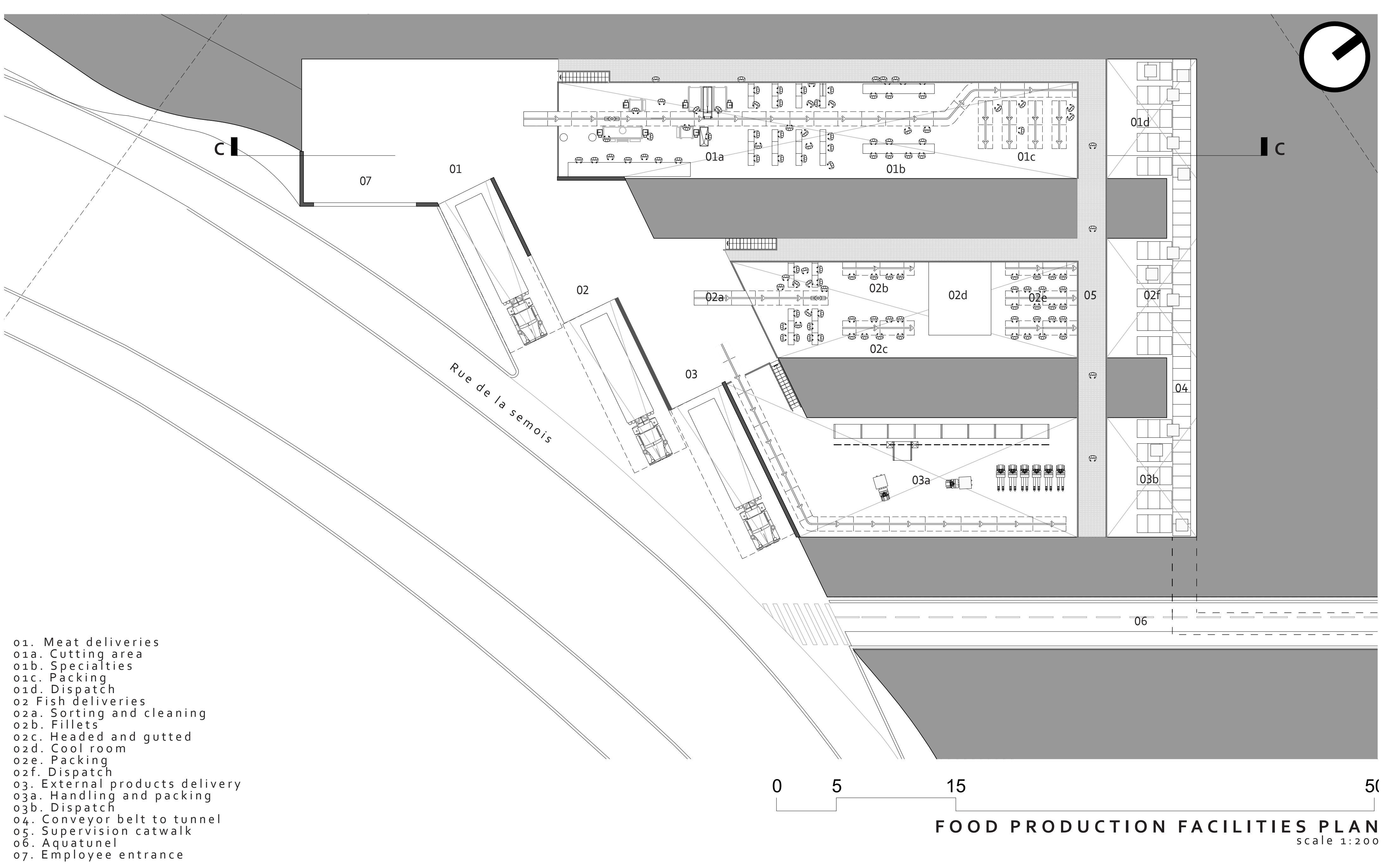
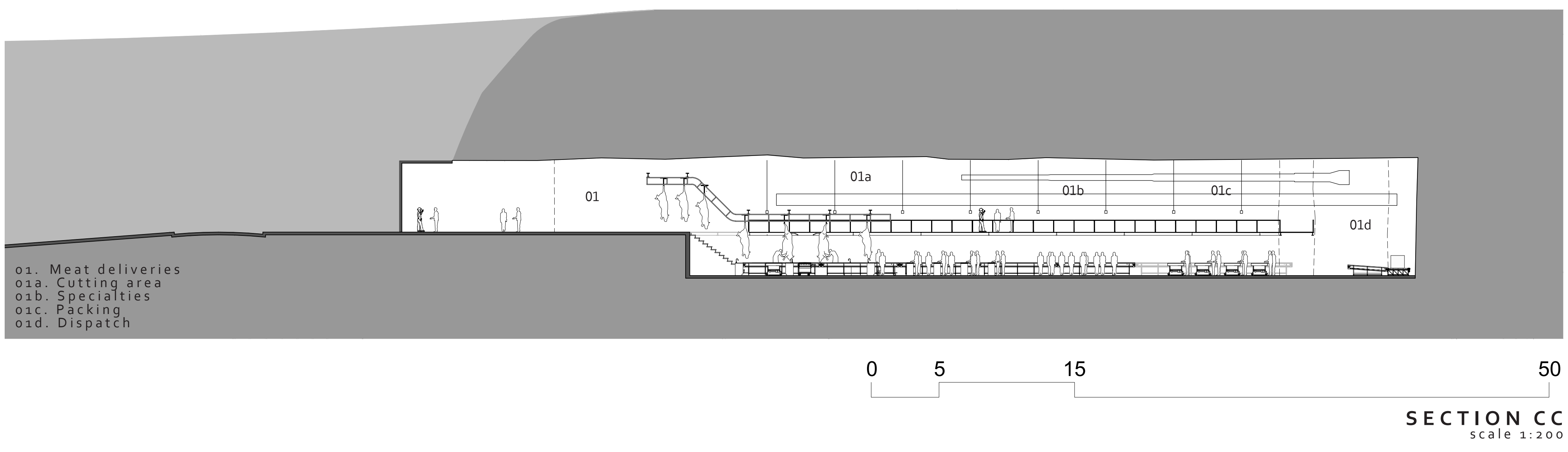
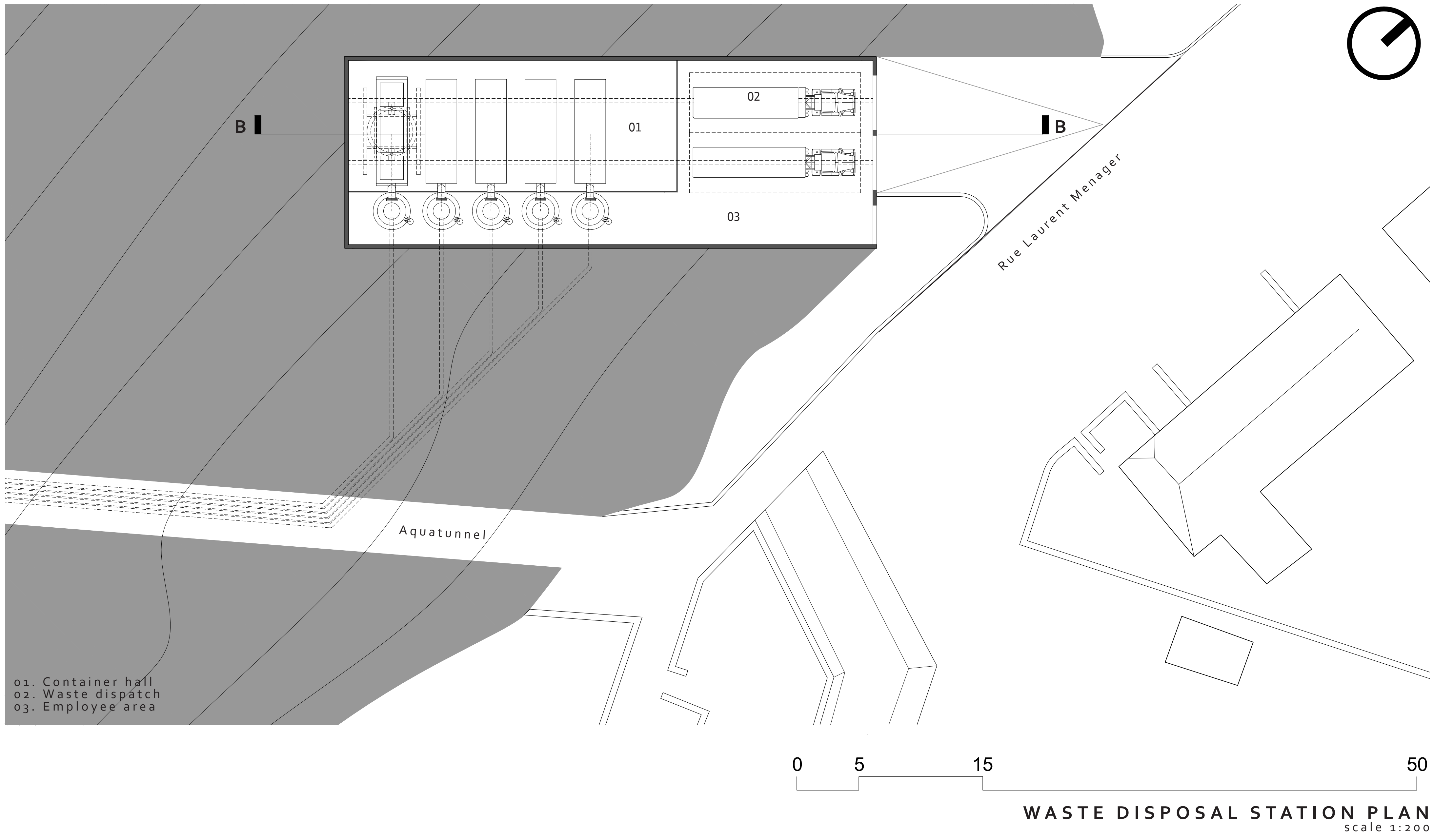
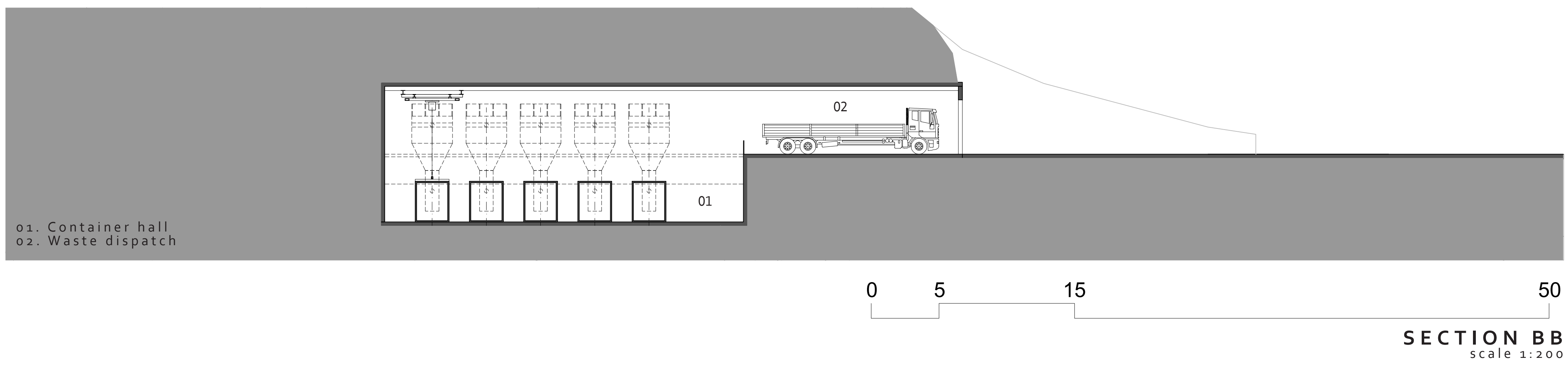
**SUPERMARKET & STORAGE LEVEL**  
scale 1:200

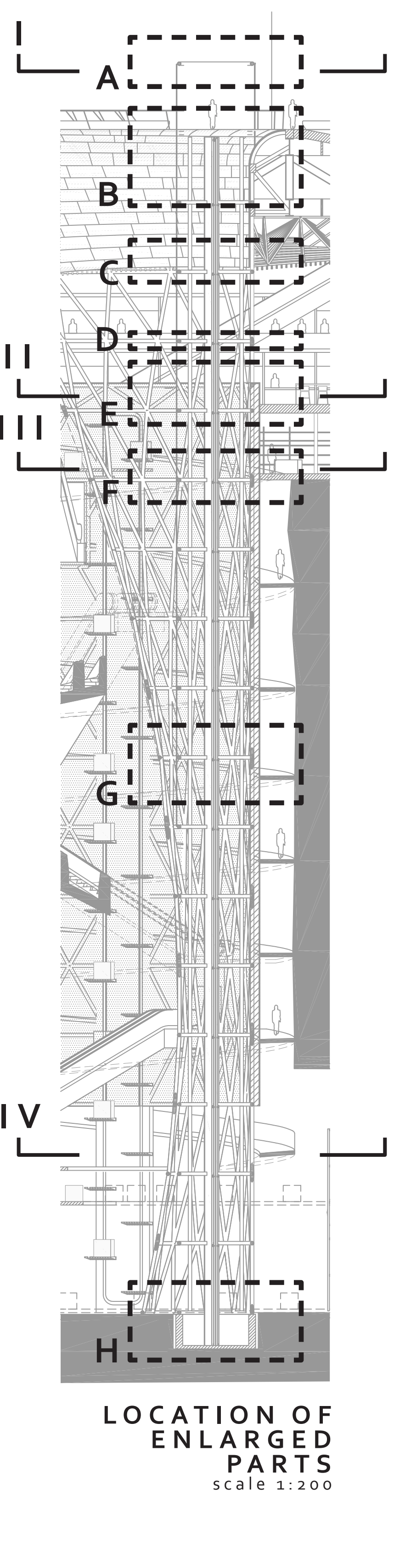
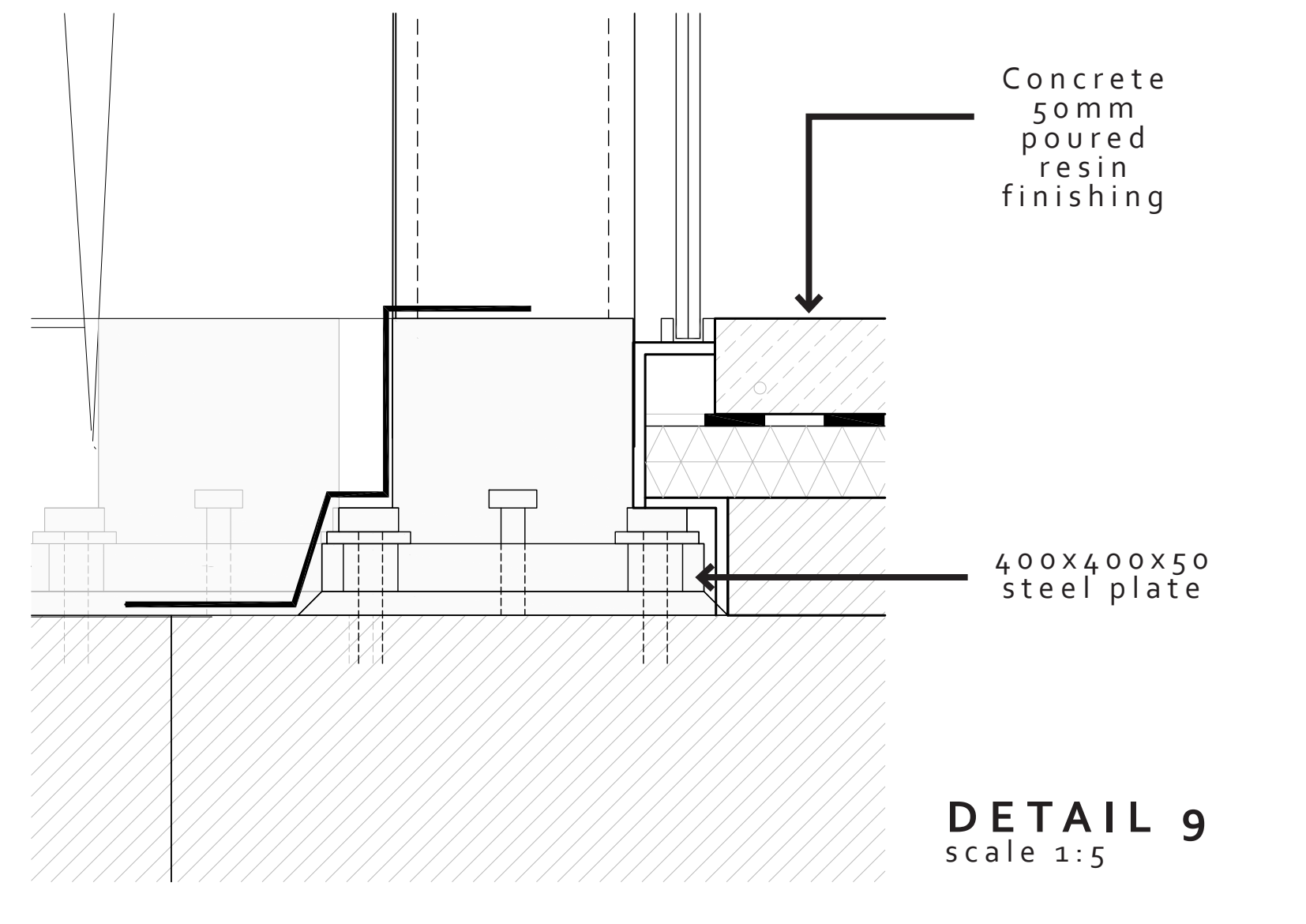
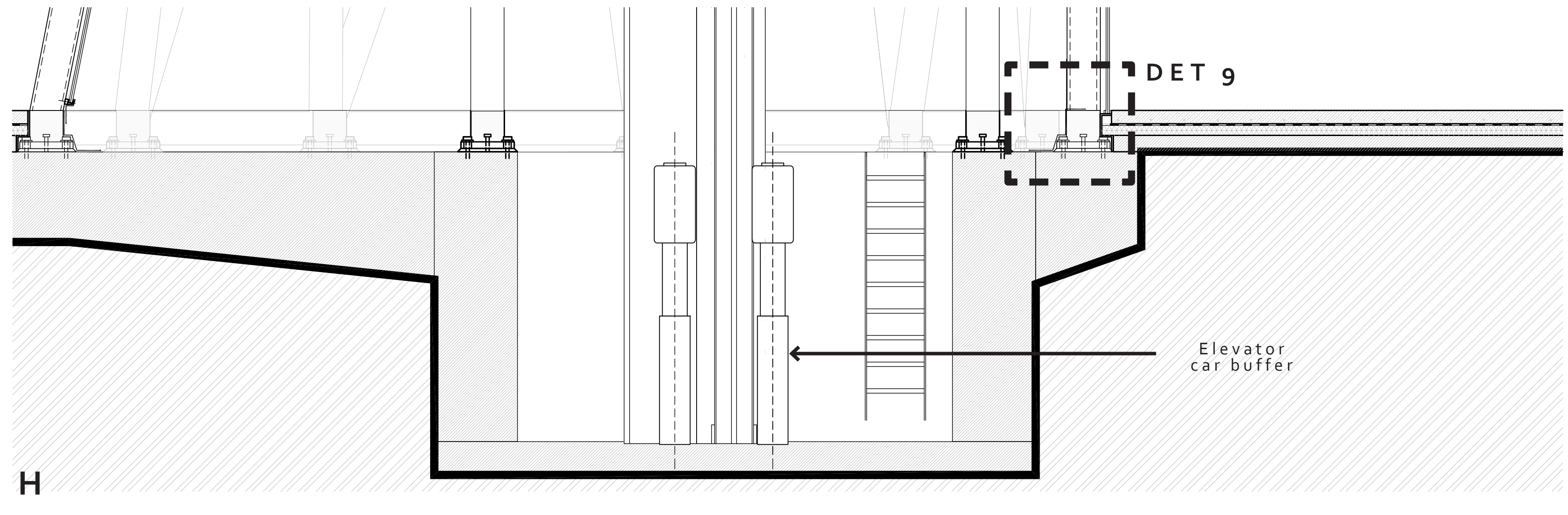
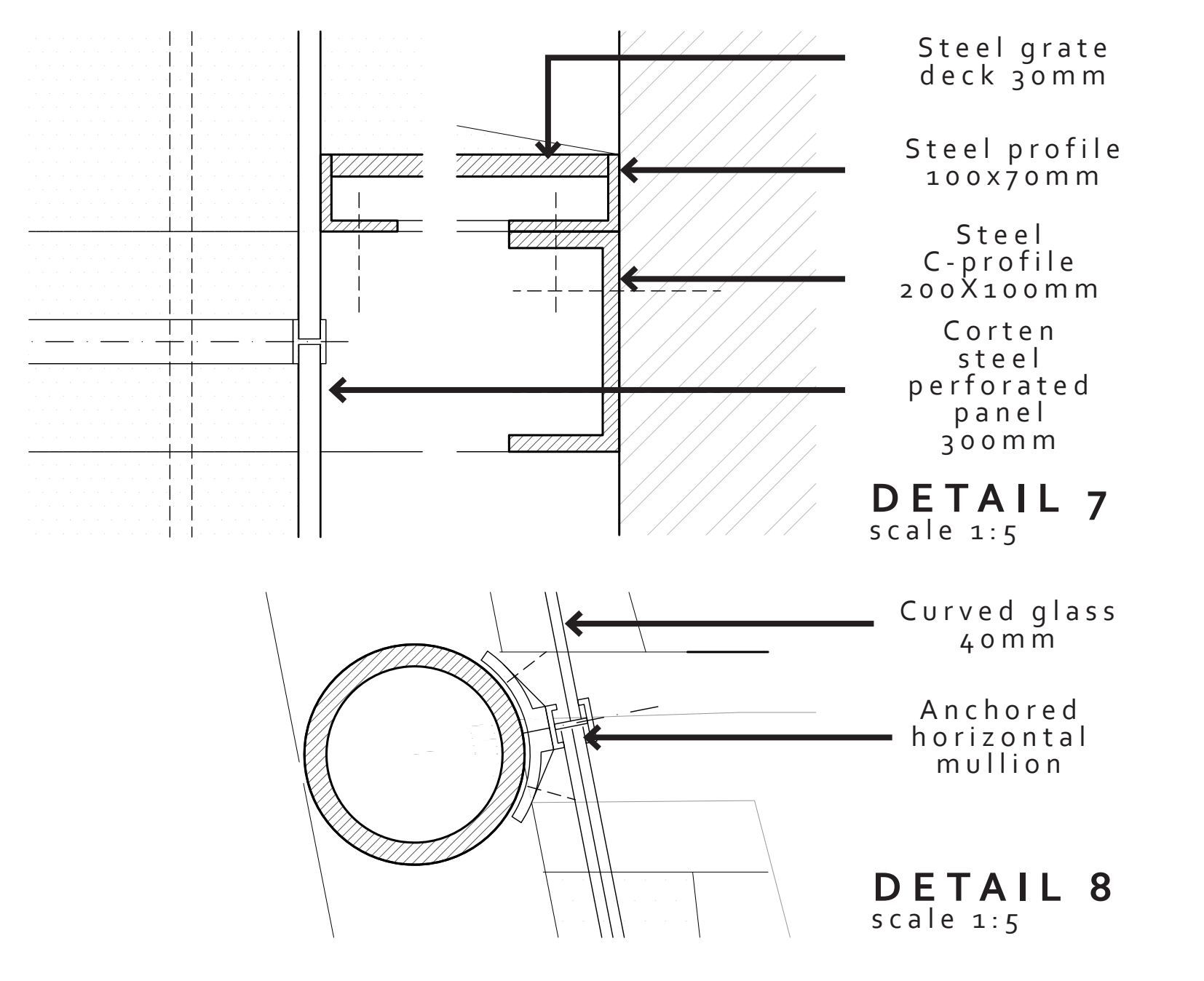
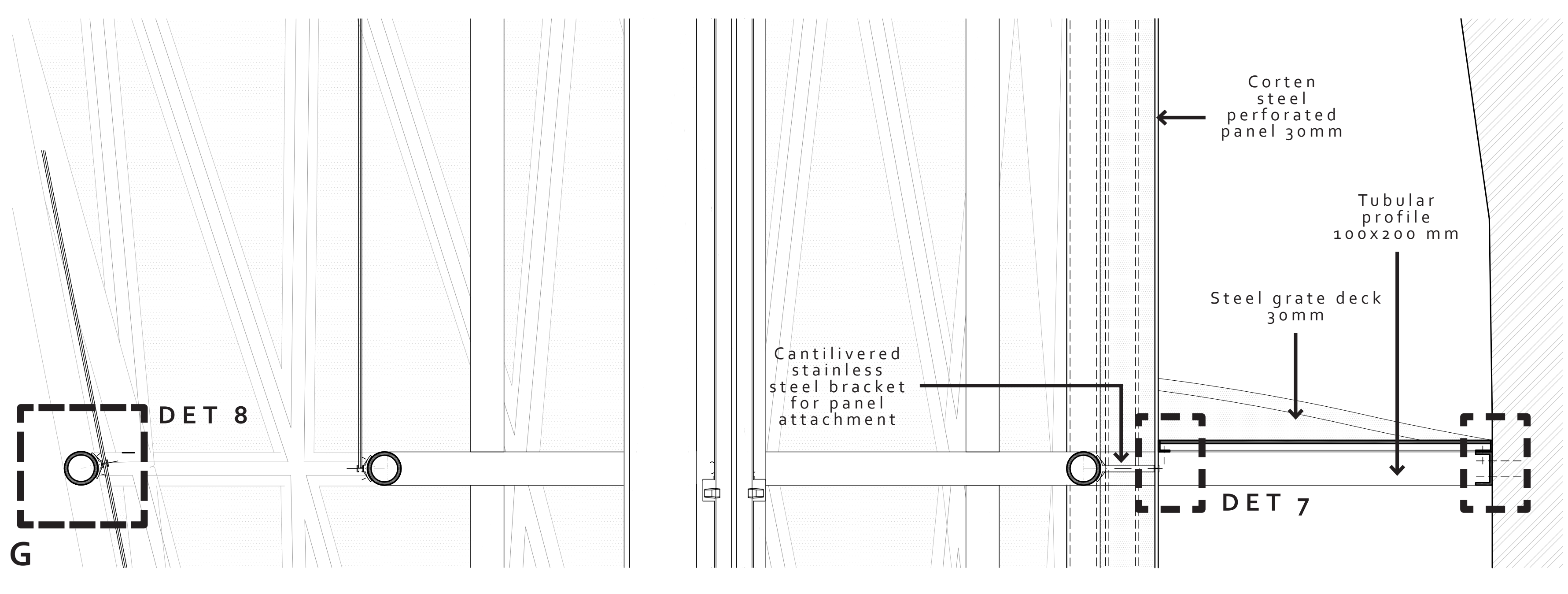
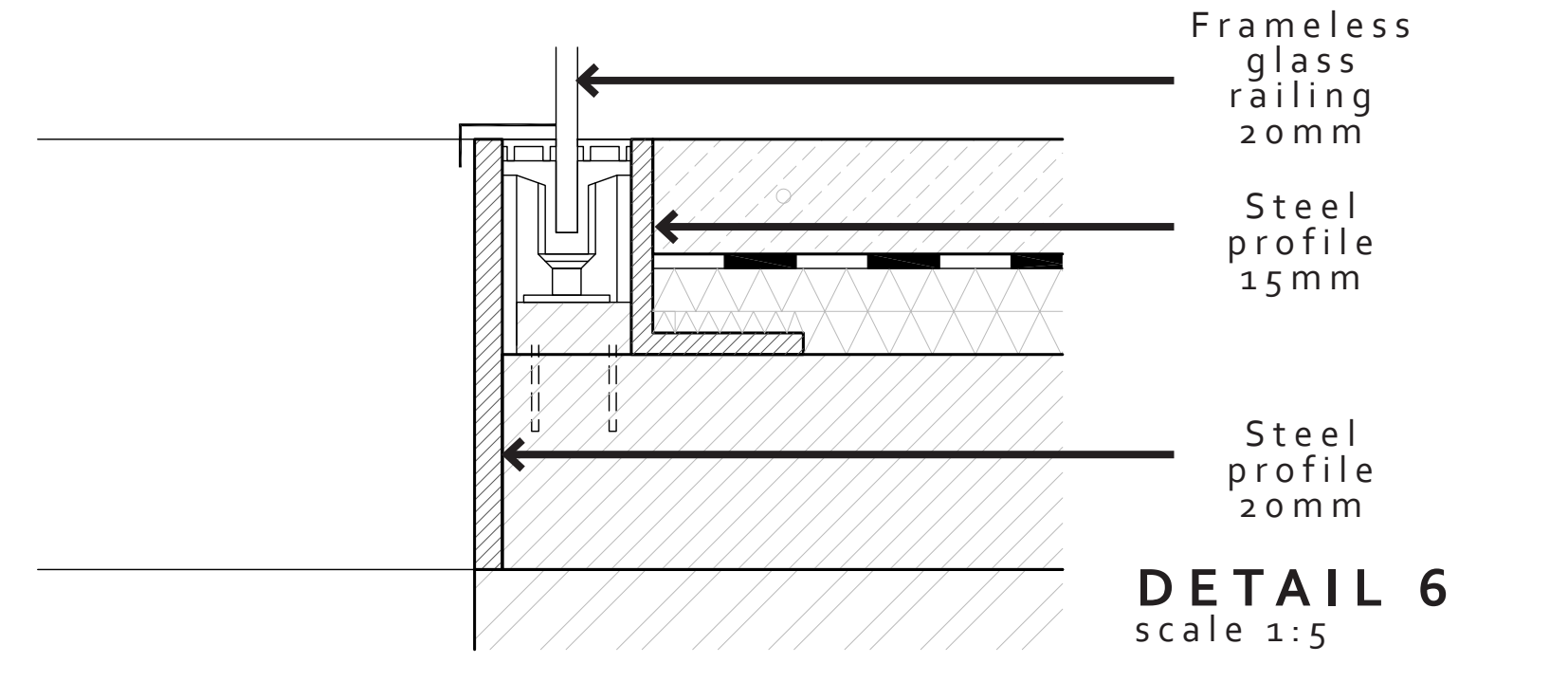
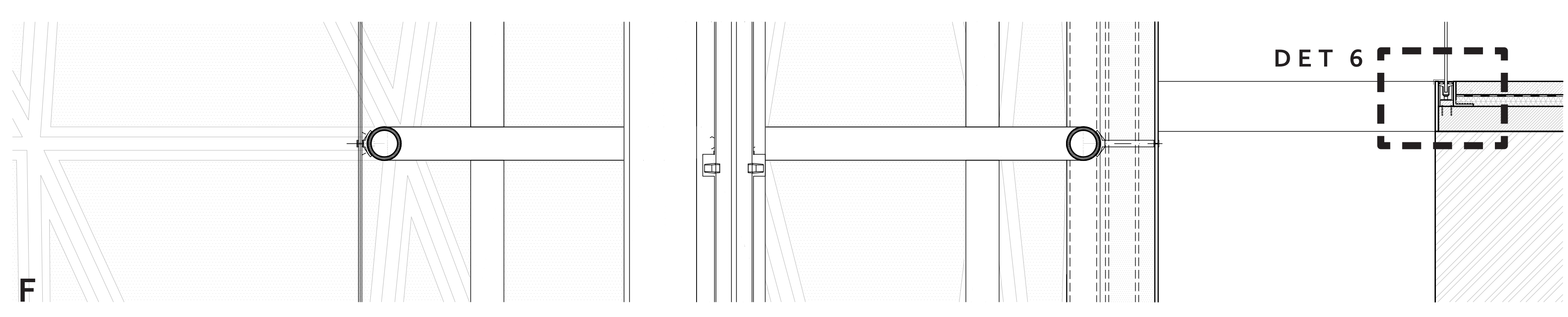
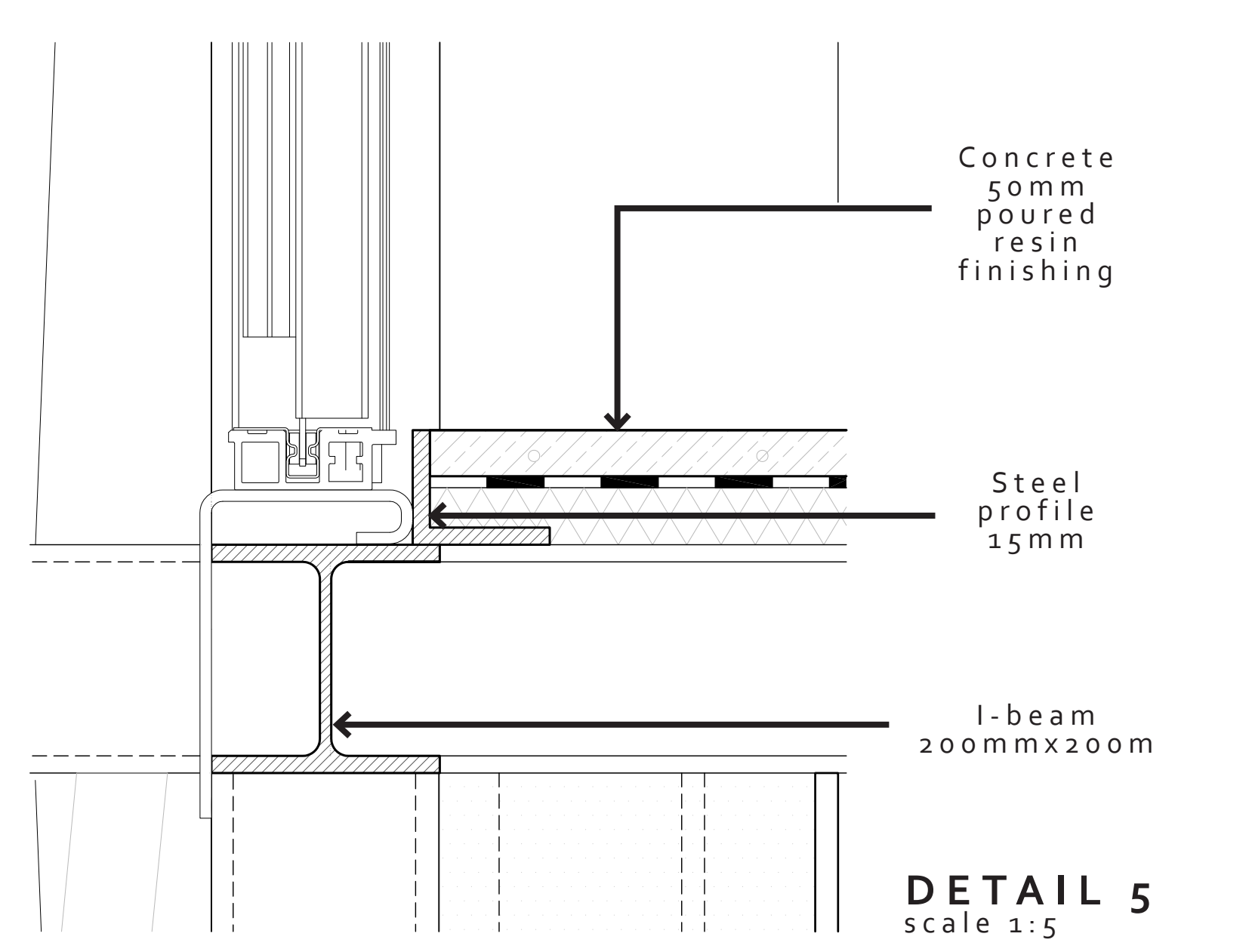
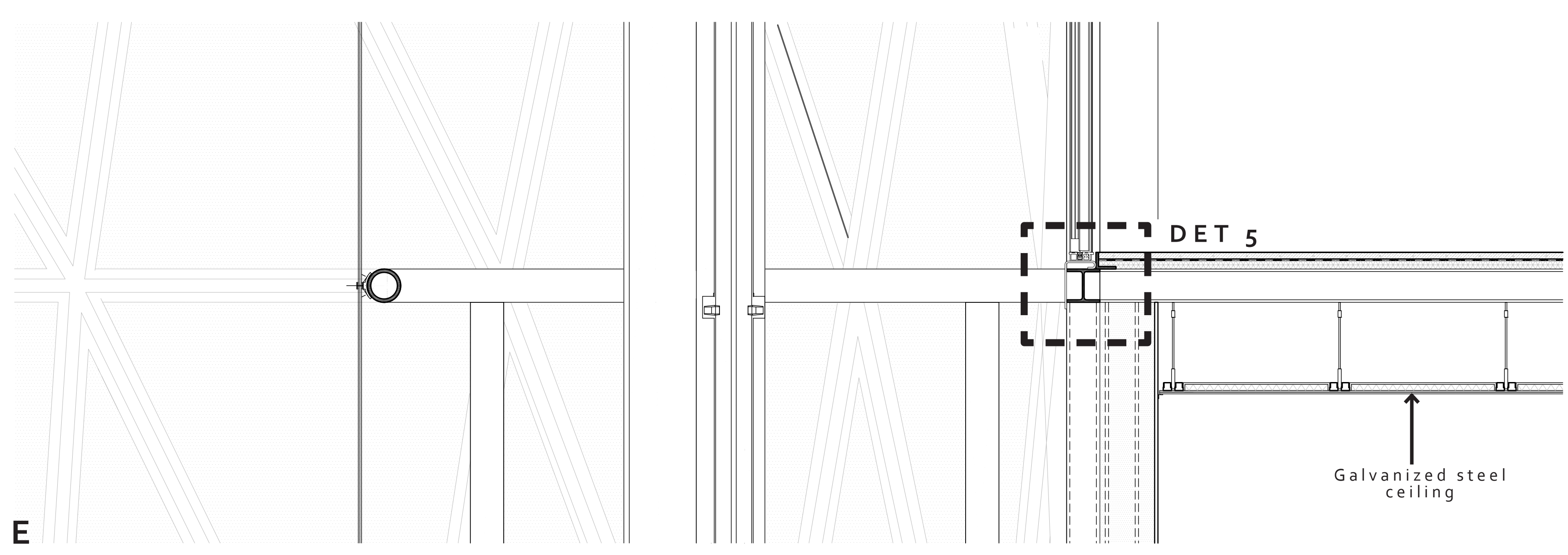
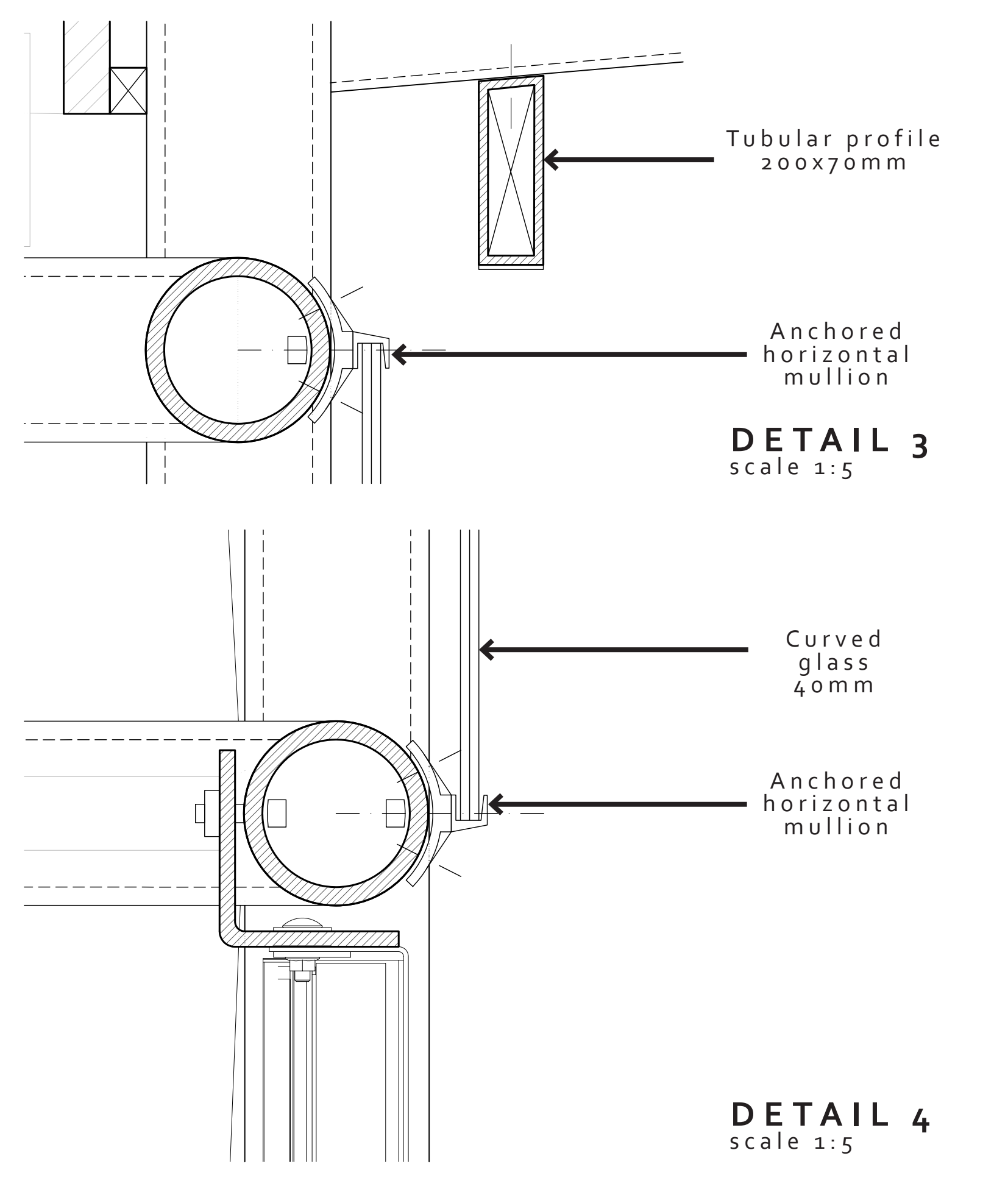
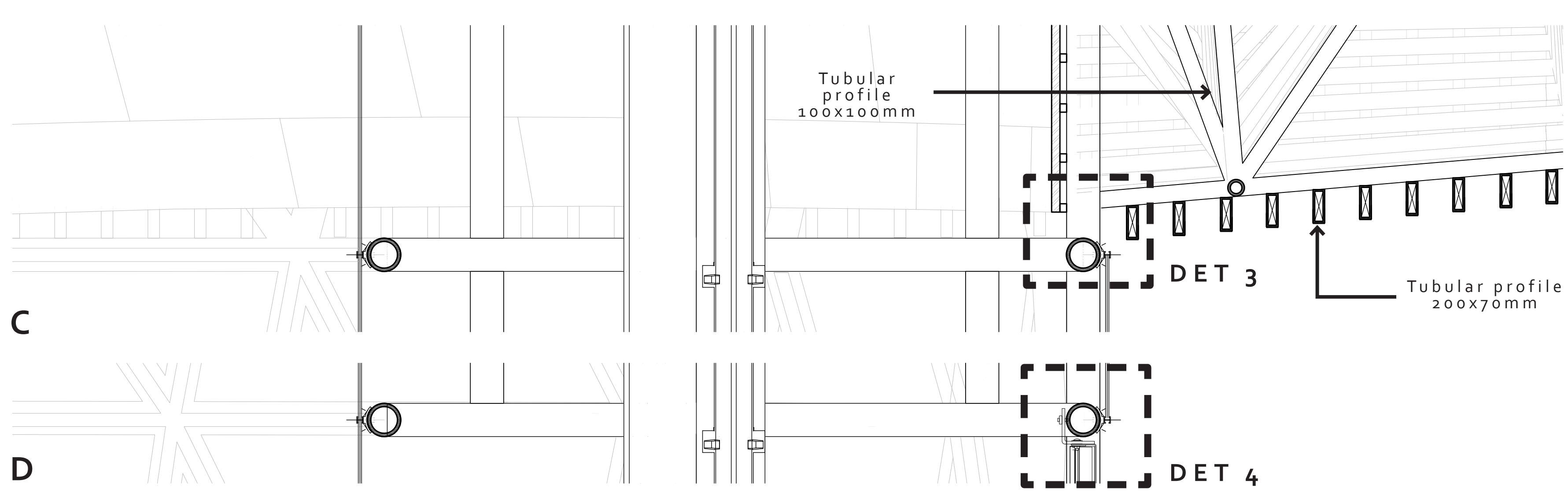
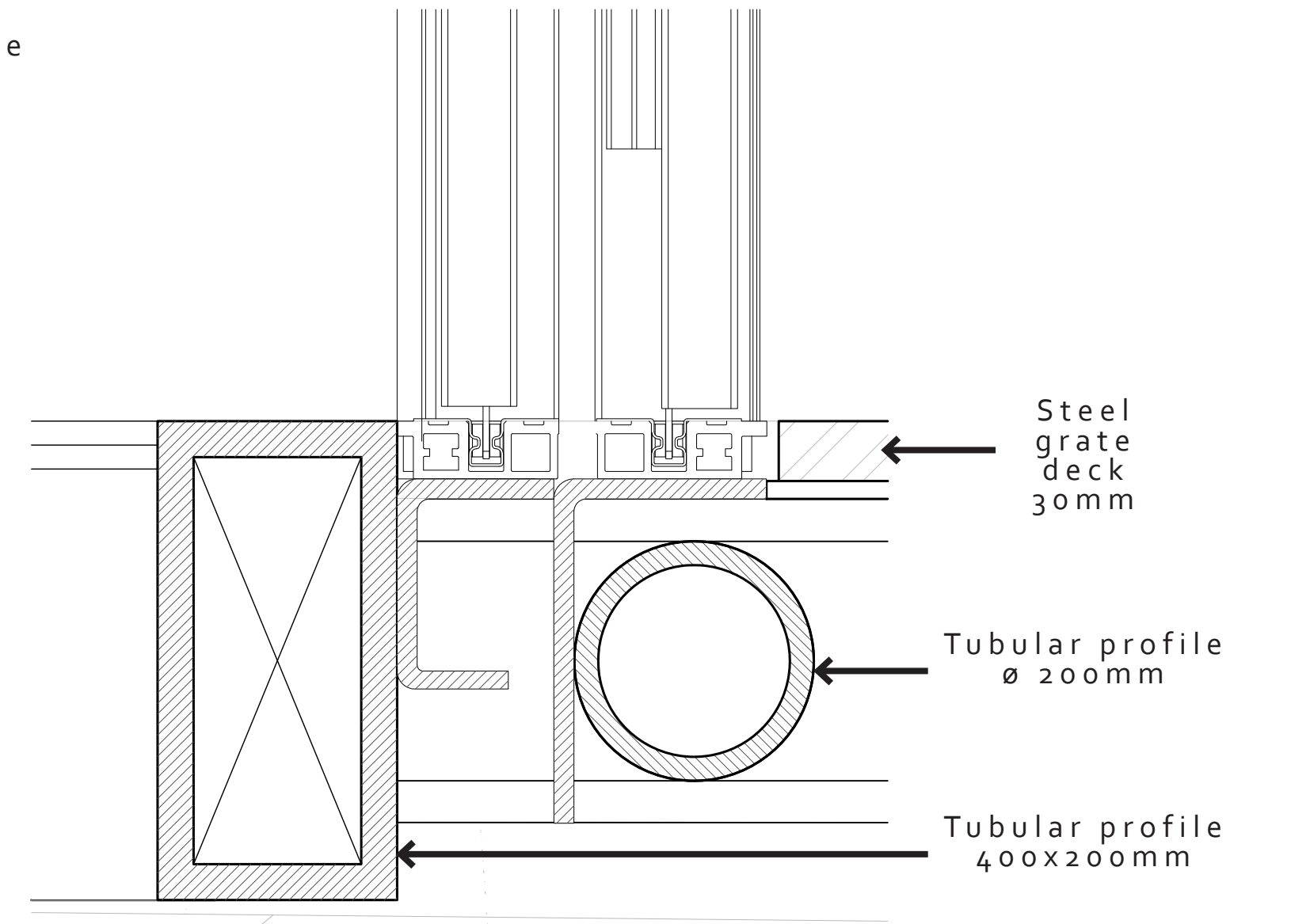
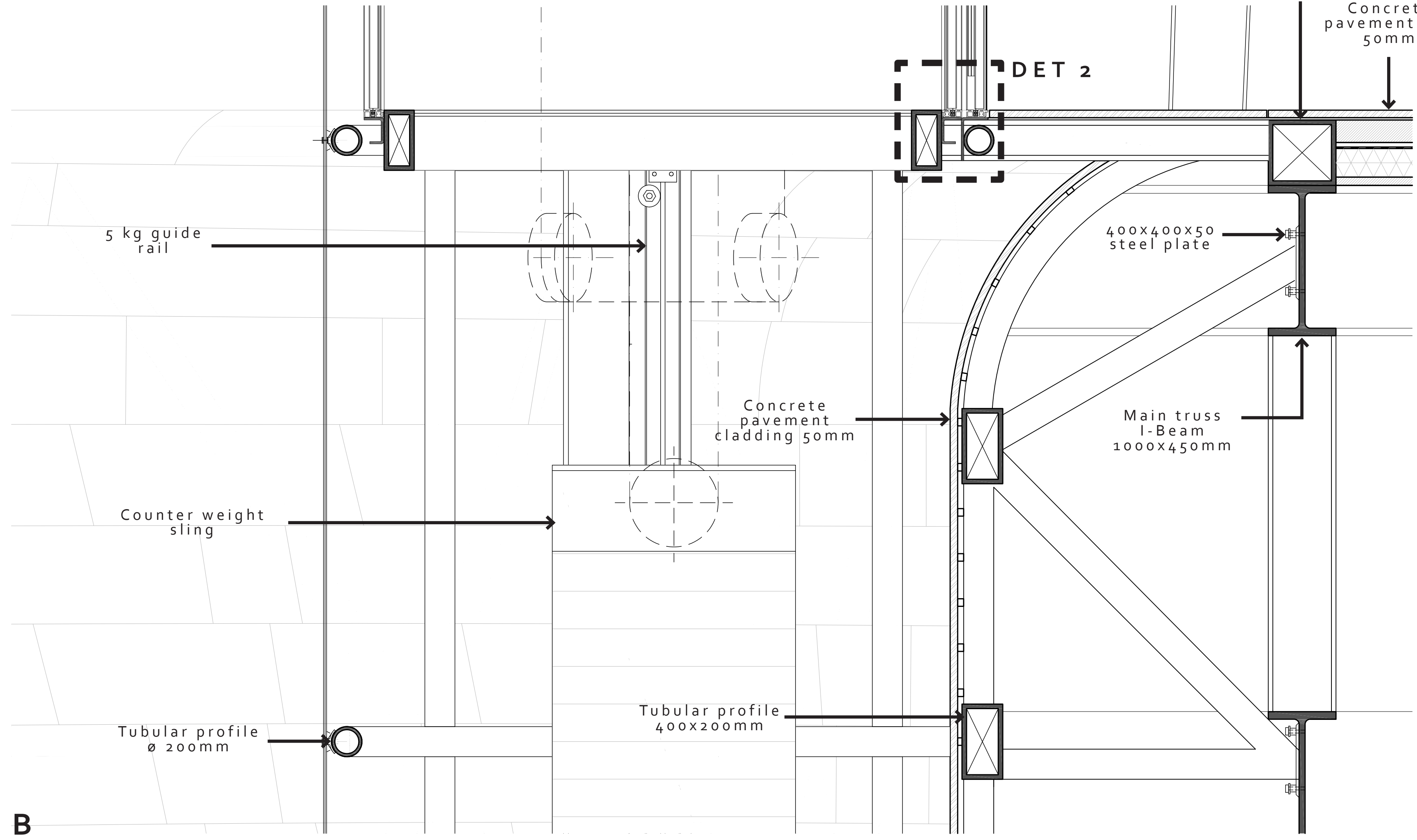
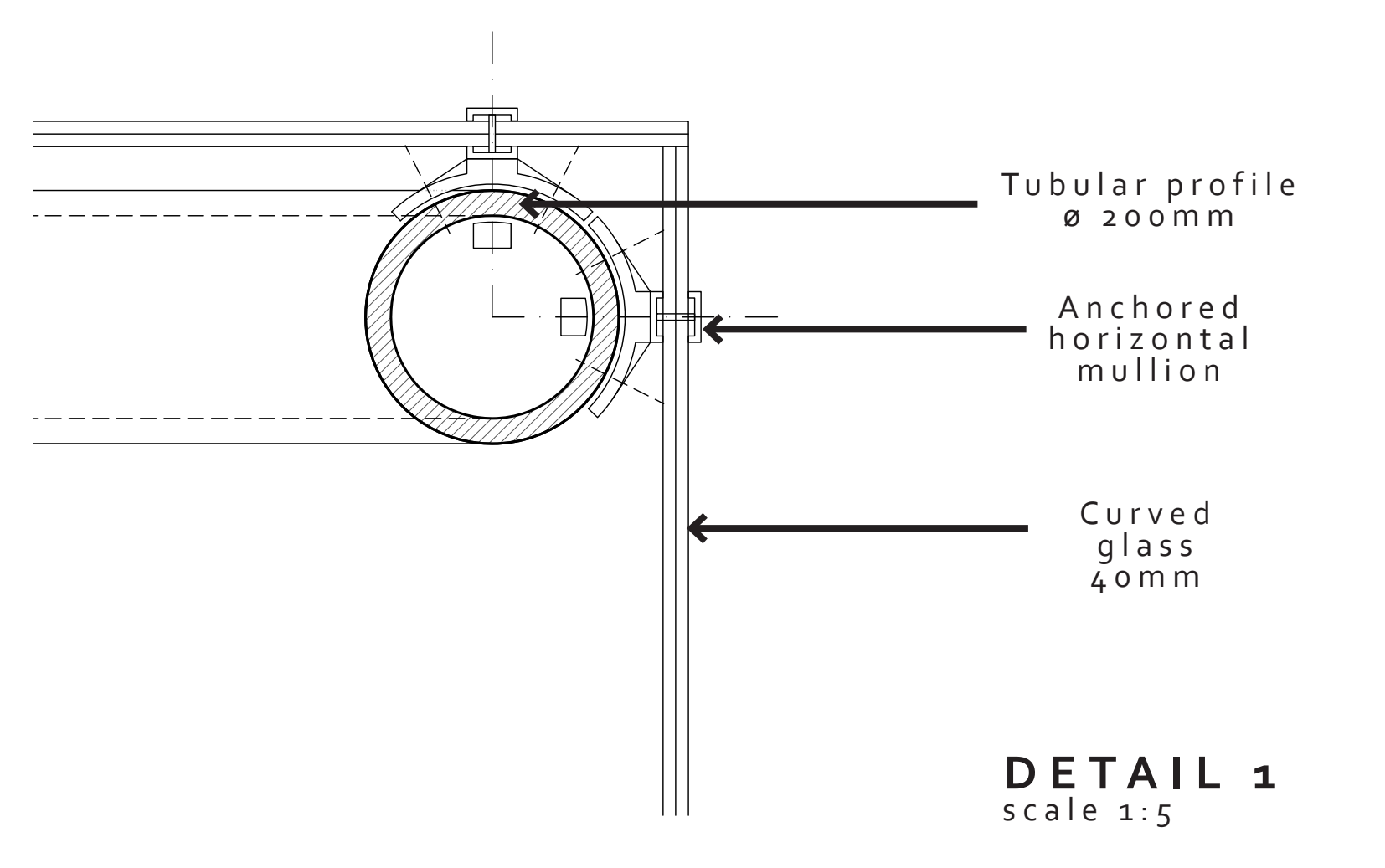
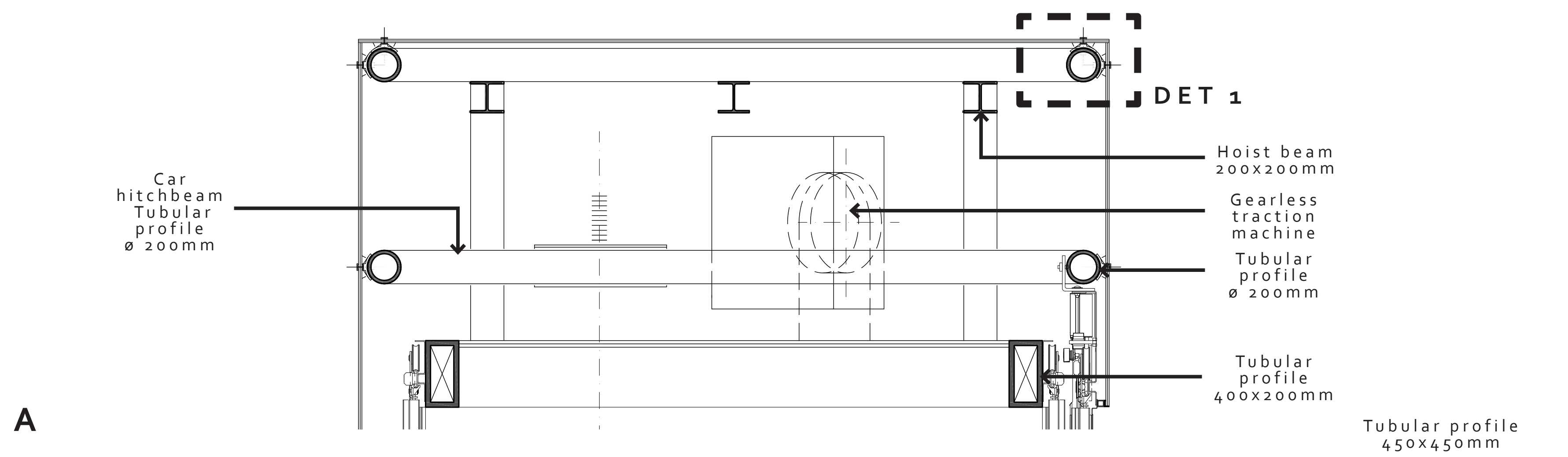


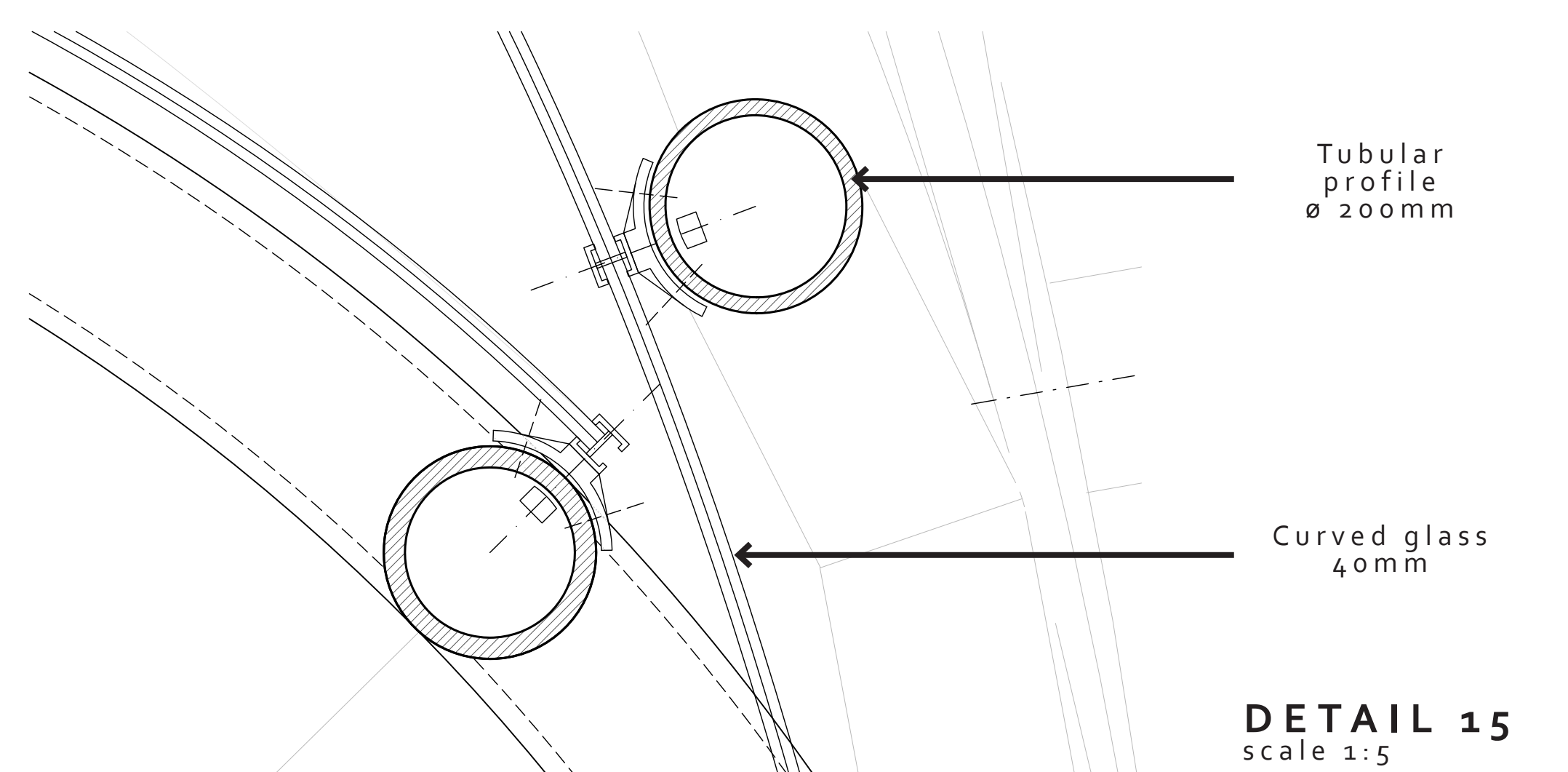
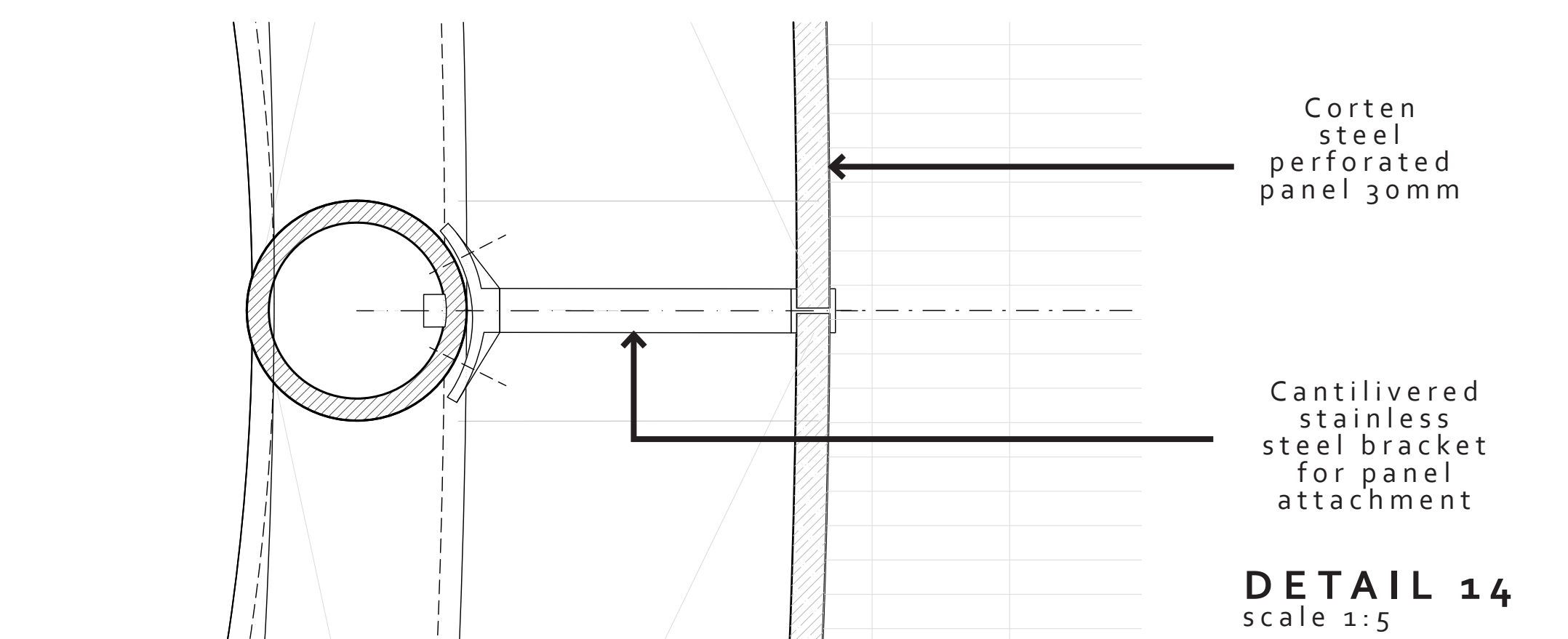
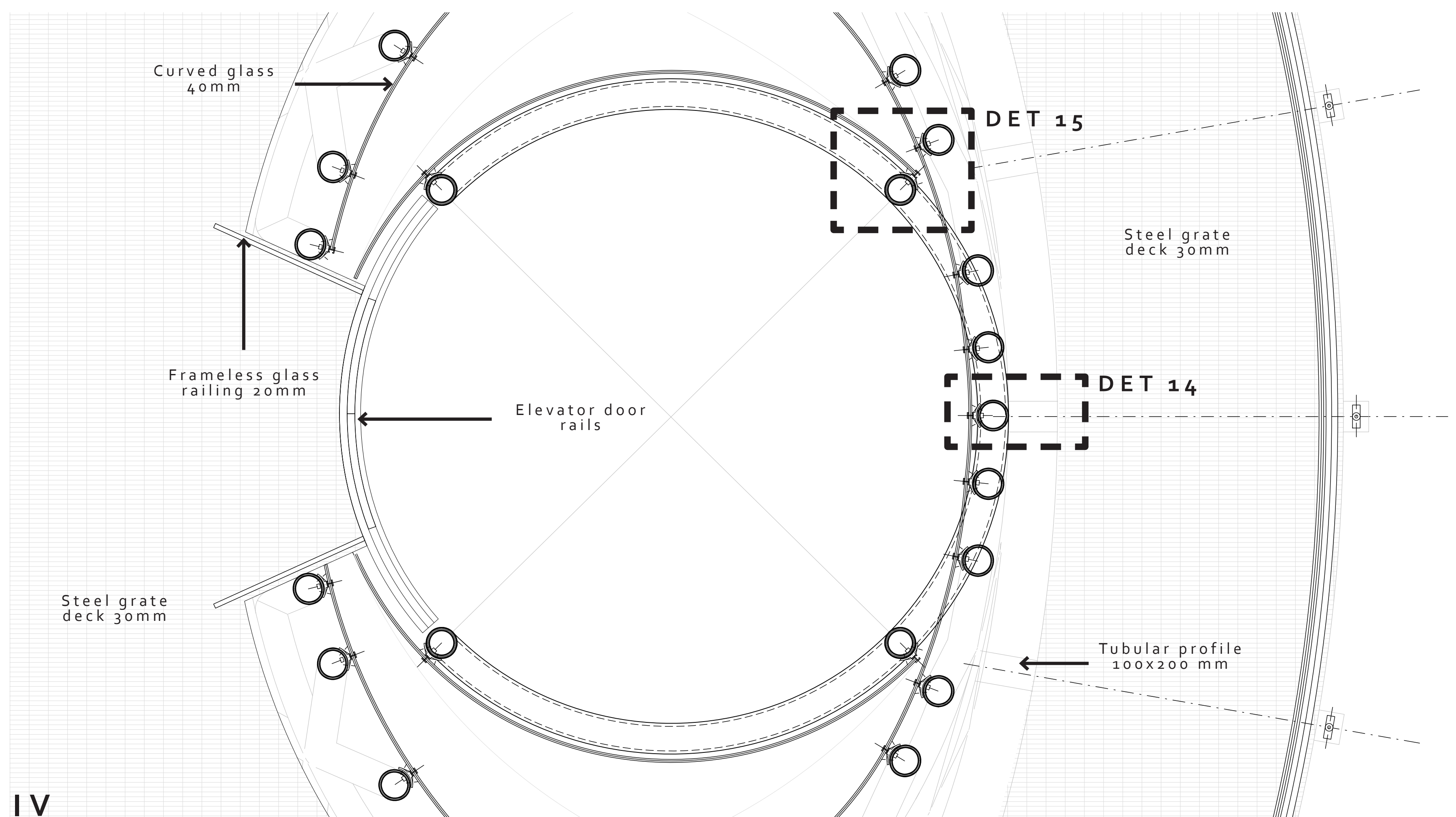
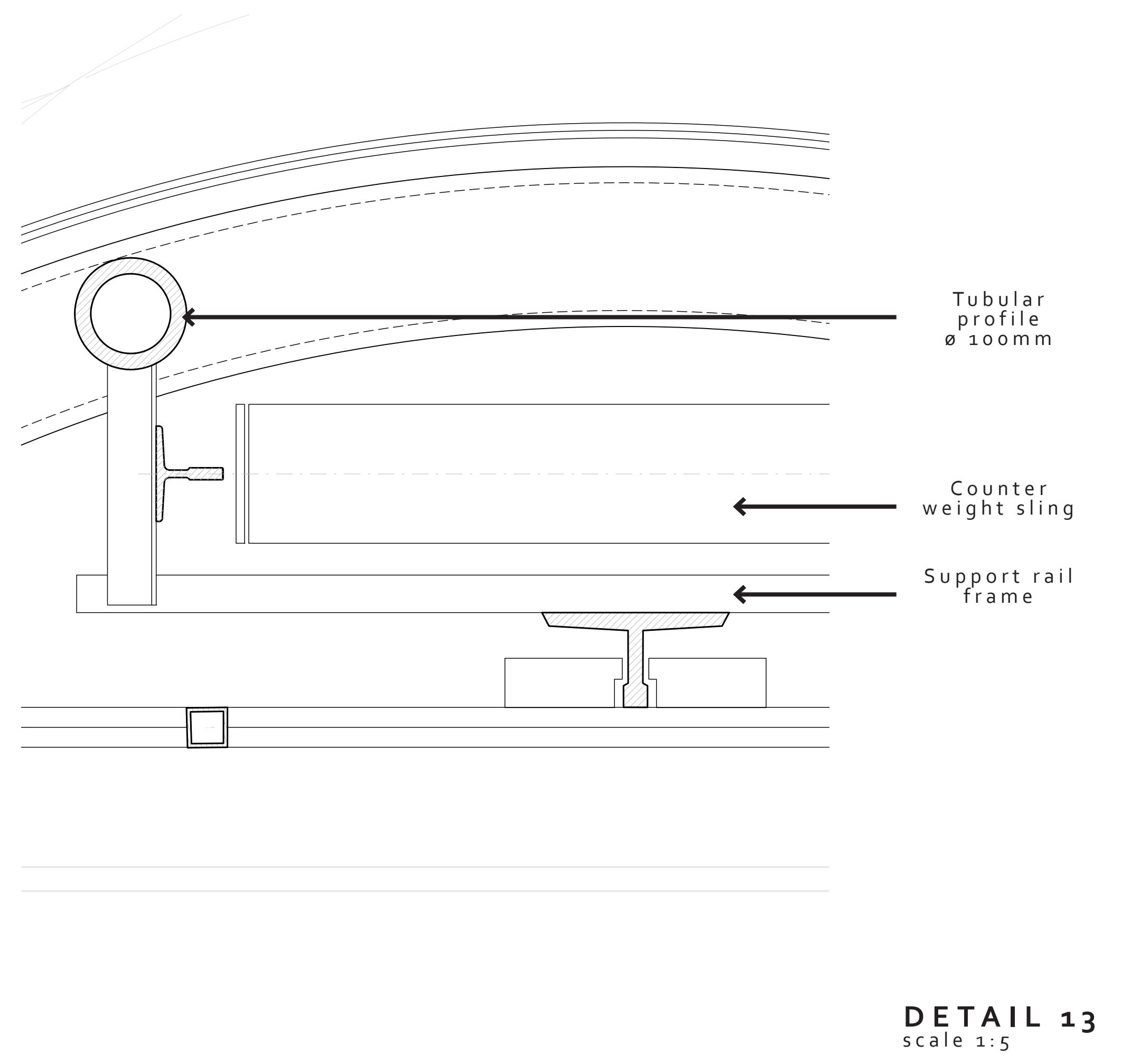
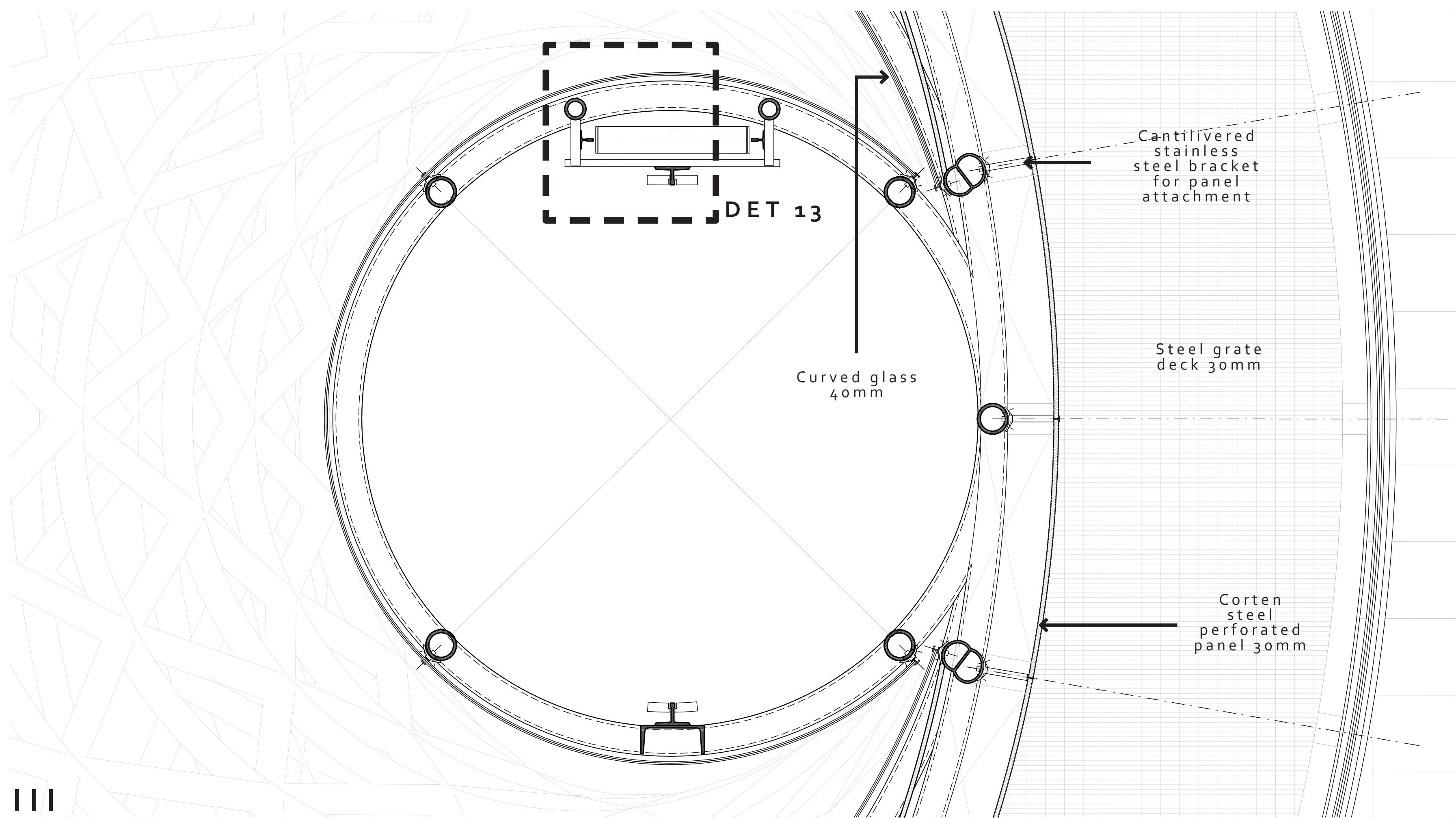
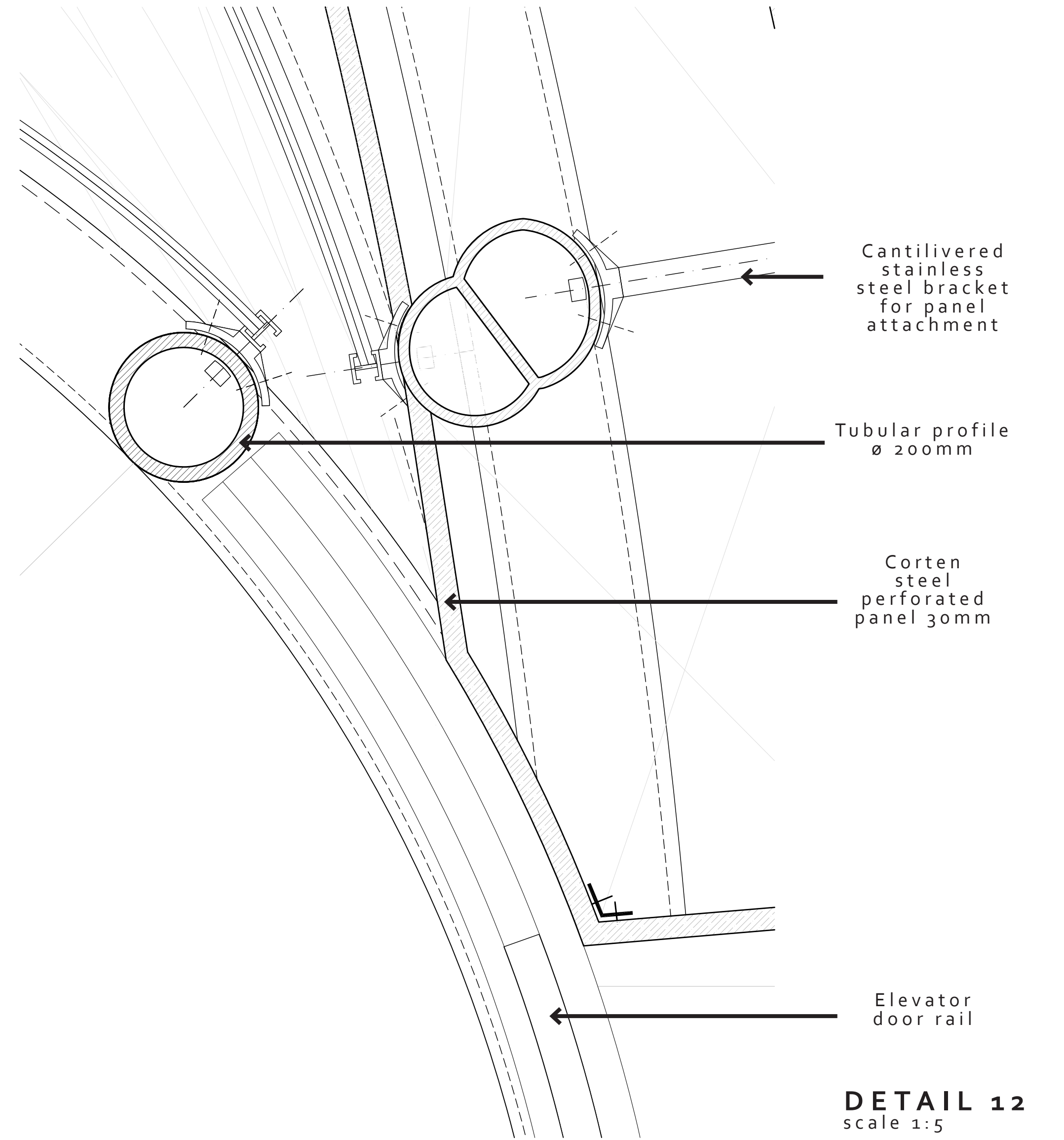
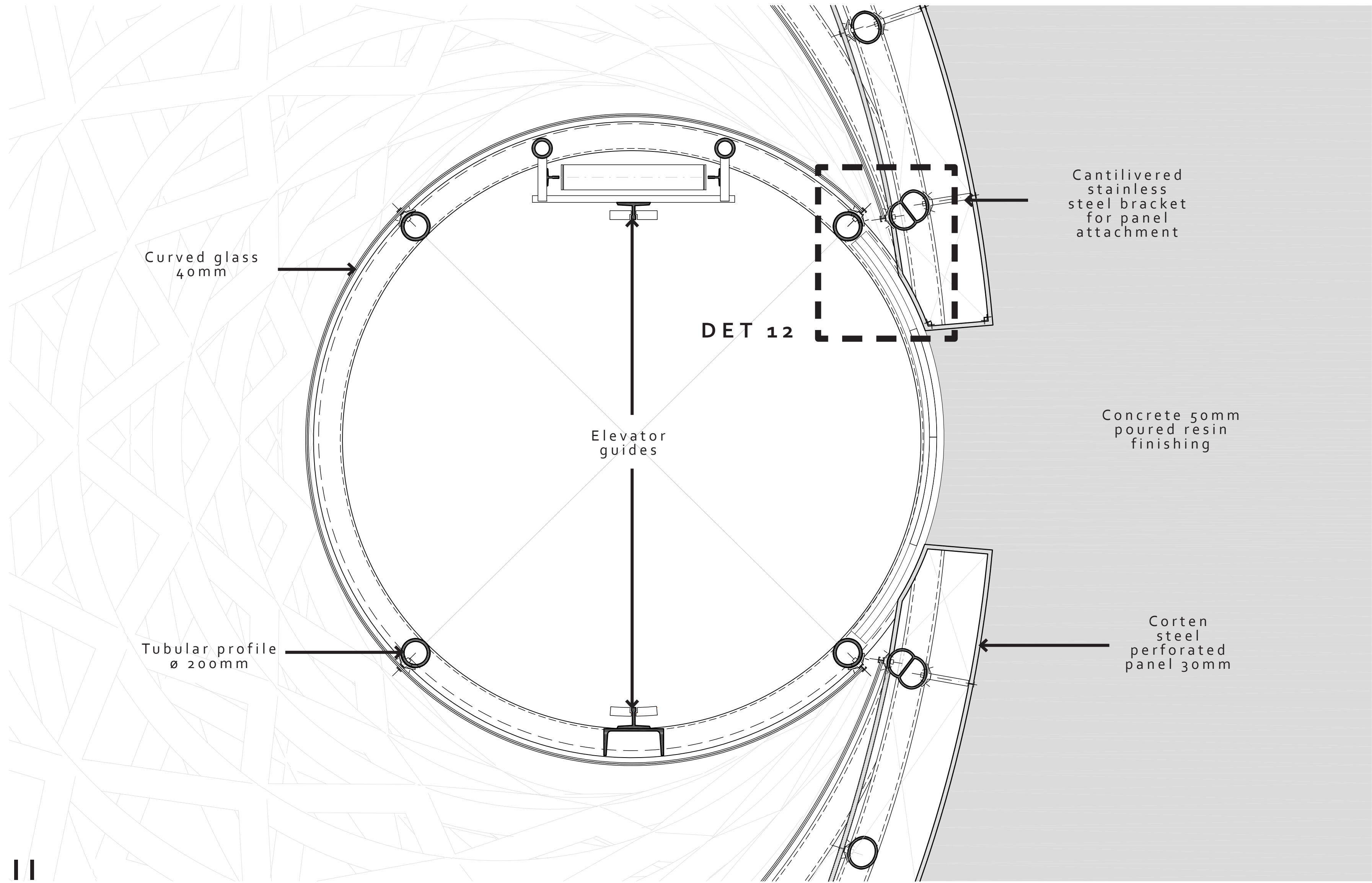
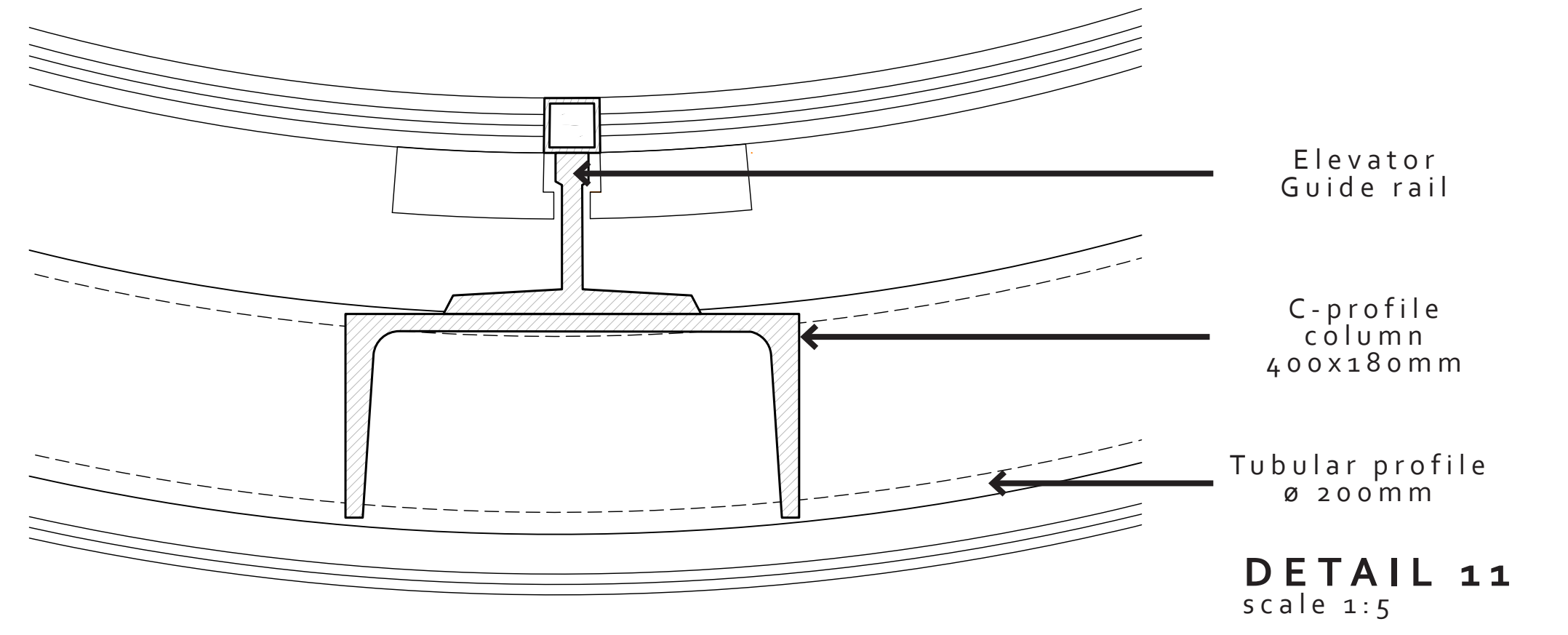
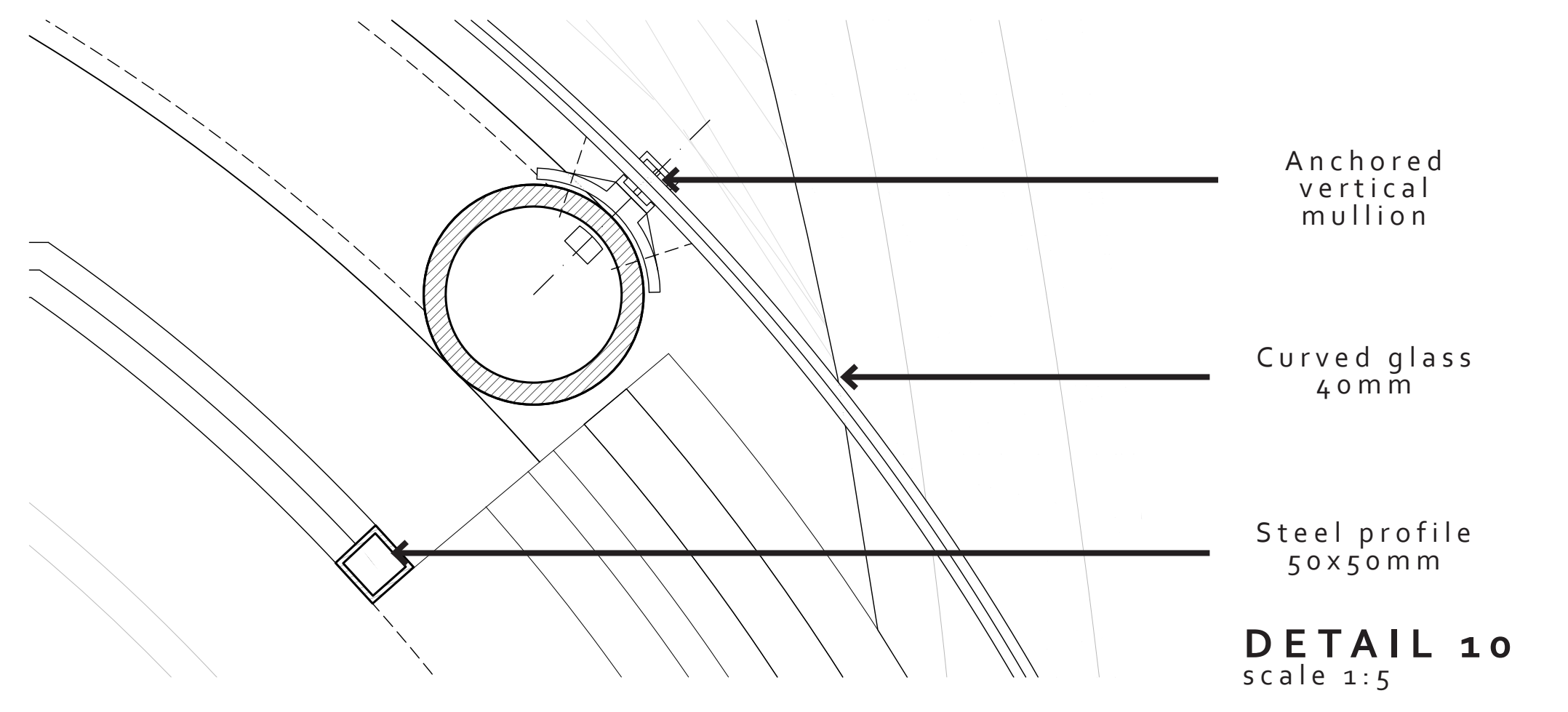
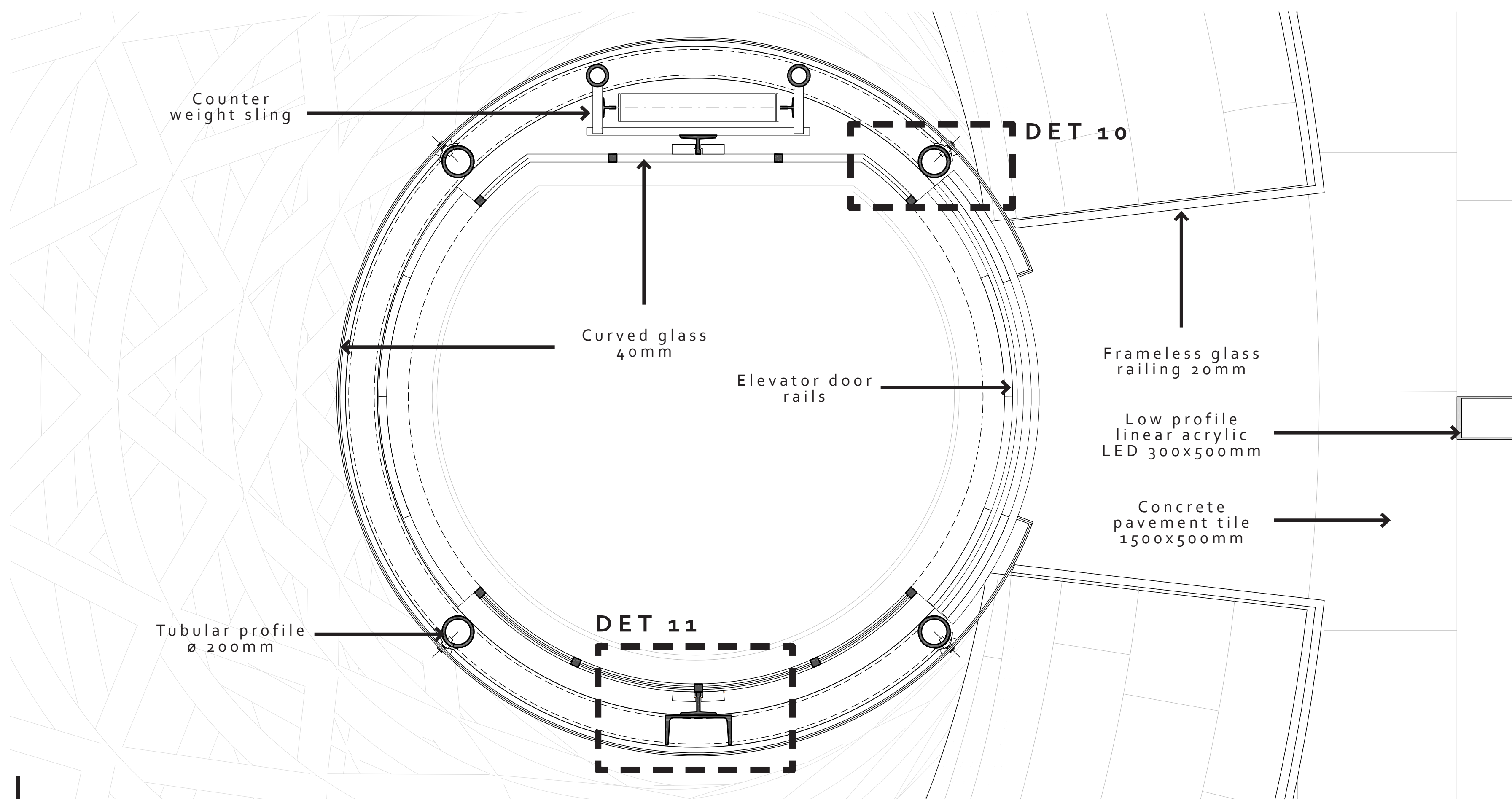
- 01. Aquatunnel bridge
- 02. Urban Elevator
- 03. Storage/aging area
- 04. Goods out
- 05. Goods vertical route

0 5 15 50

**AGING/STORAGE LEVEL**  
scale 1:200







IV