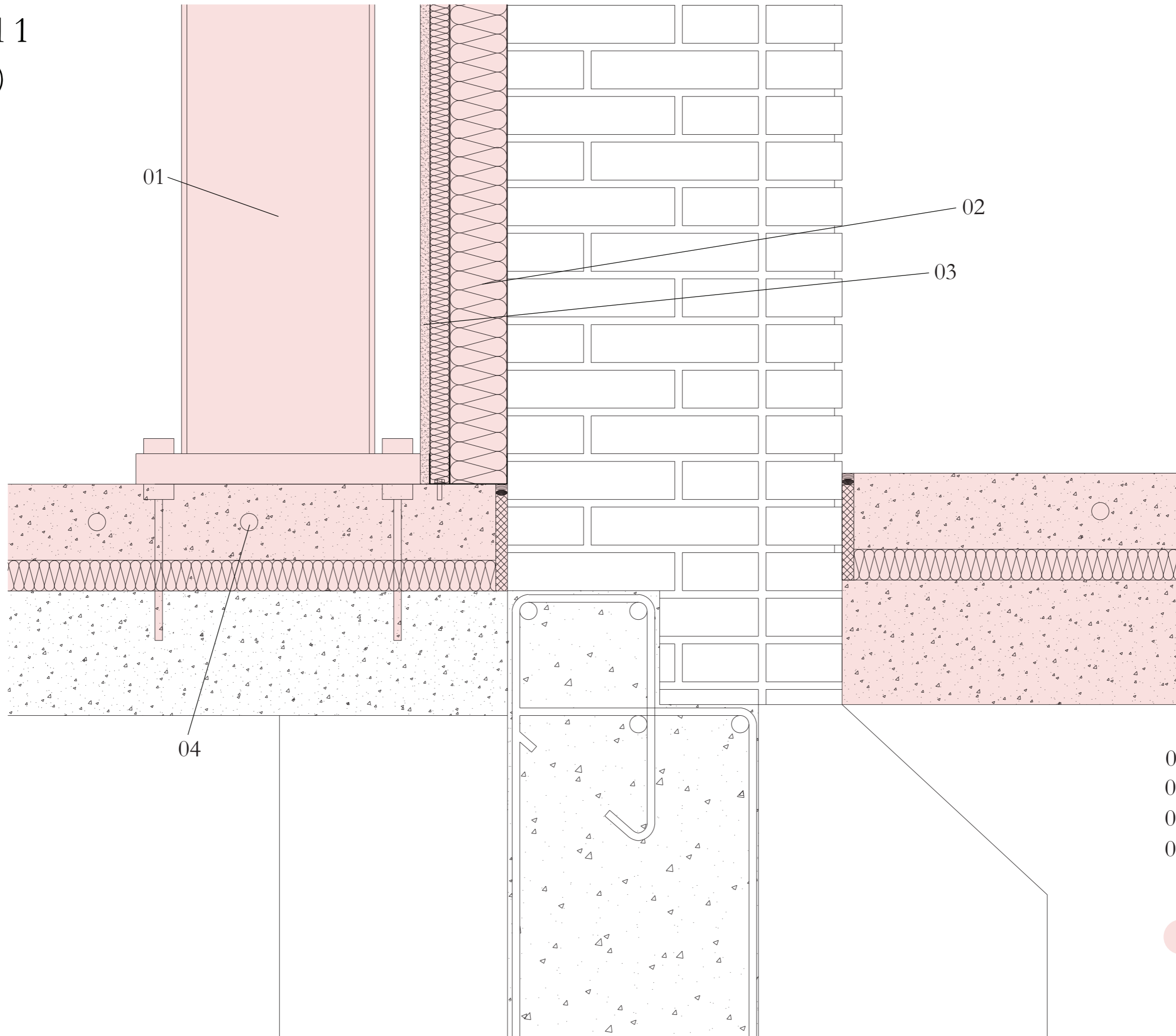


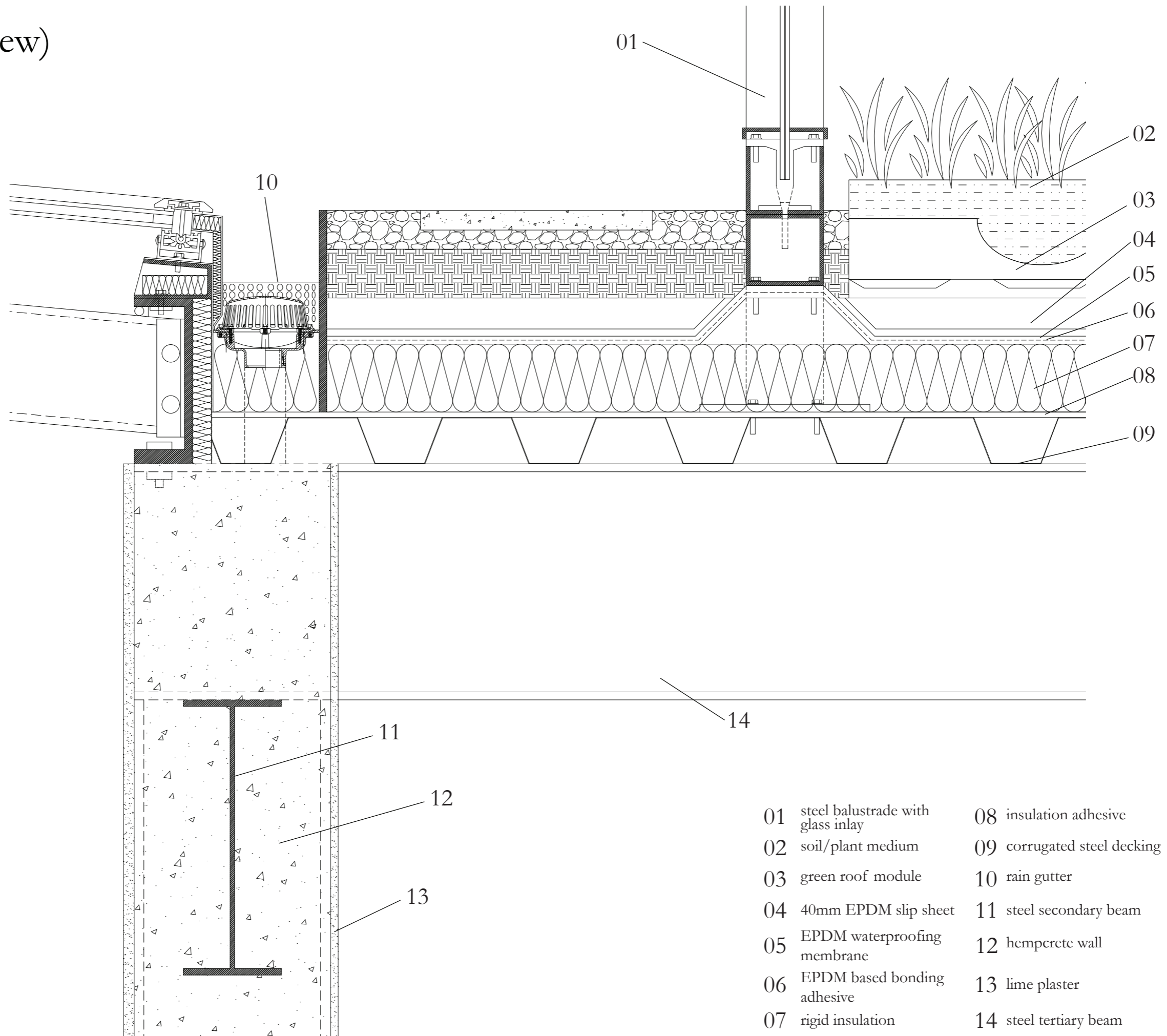
Detail 1 (1:5)



- 01 new steel column
- 02 new 120mm insulation
- 03 new plaster board
- 04 new floor with pipes for heating/cooling

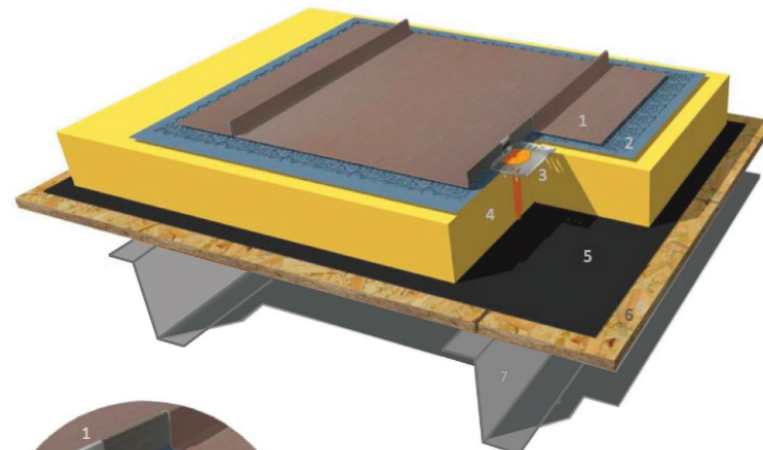
● New

Detail 2 (New)
(1:5)

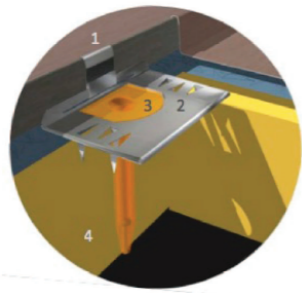


- | | | | |
|----|-----------------------------------|----|--------------------------|
| 01 | steel balustrade with glass inlay | 08 | insulation adhesive |
| 02 | soil/plant medium | 09 | corrugated steel decking |
| 03 | green roof module | 10 | rain gutter |
| 04 | 40mm EPDM slip sheet | 11 | steel secondary beam |
| 05 | EPDM waterproofing membrane | 12 | hempcrete wall |
| 06 | EPDM based bonding adhesive | 13 | lime plaster |
| 07 | rigid insulation | 14 | steel tertiary beam |

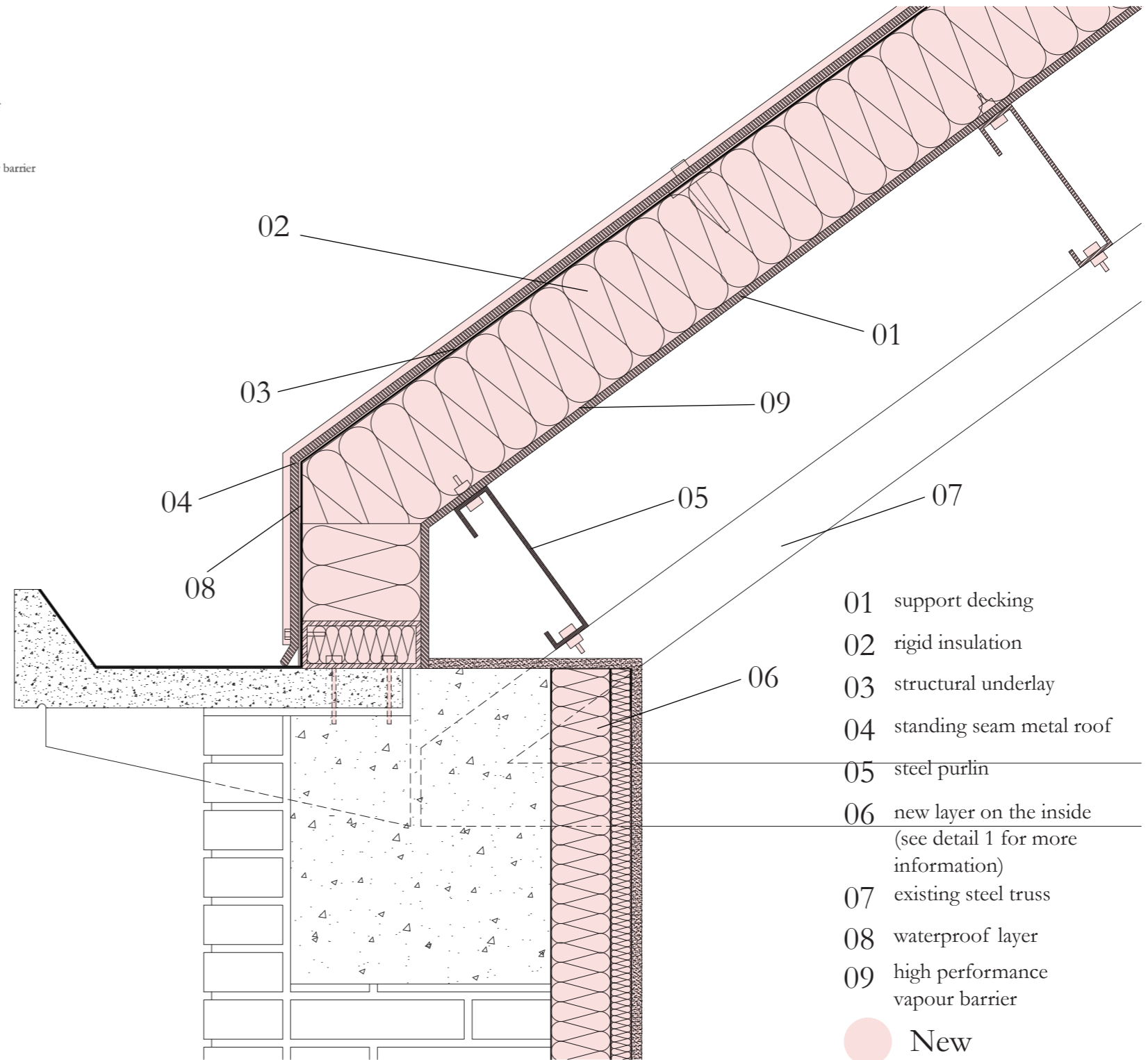
Detail 3 (1:5)



- 1. Standing seam metal roof
- 2. Structural underlay
- 3. Fixing
- 4. Rigid insulation
- 5. High performance vapour barrier
- 6. Support decking
- 7. Steel rafters

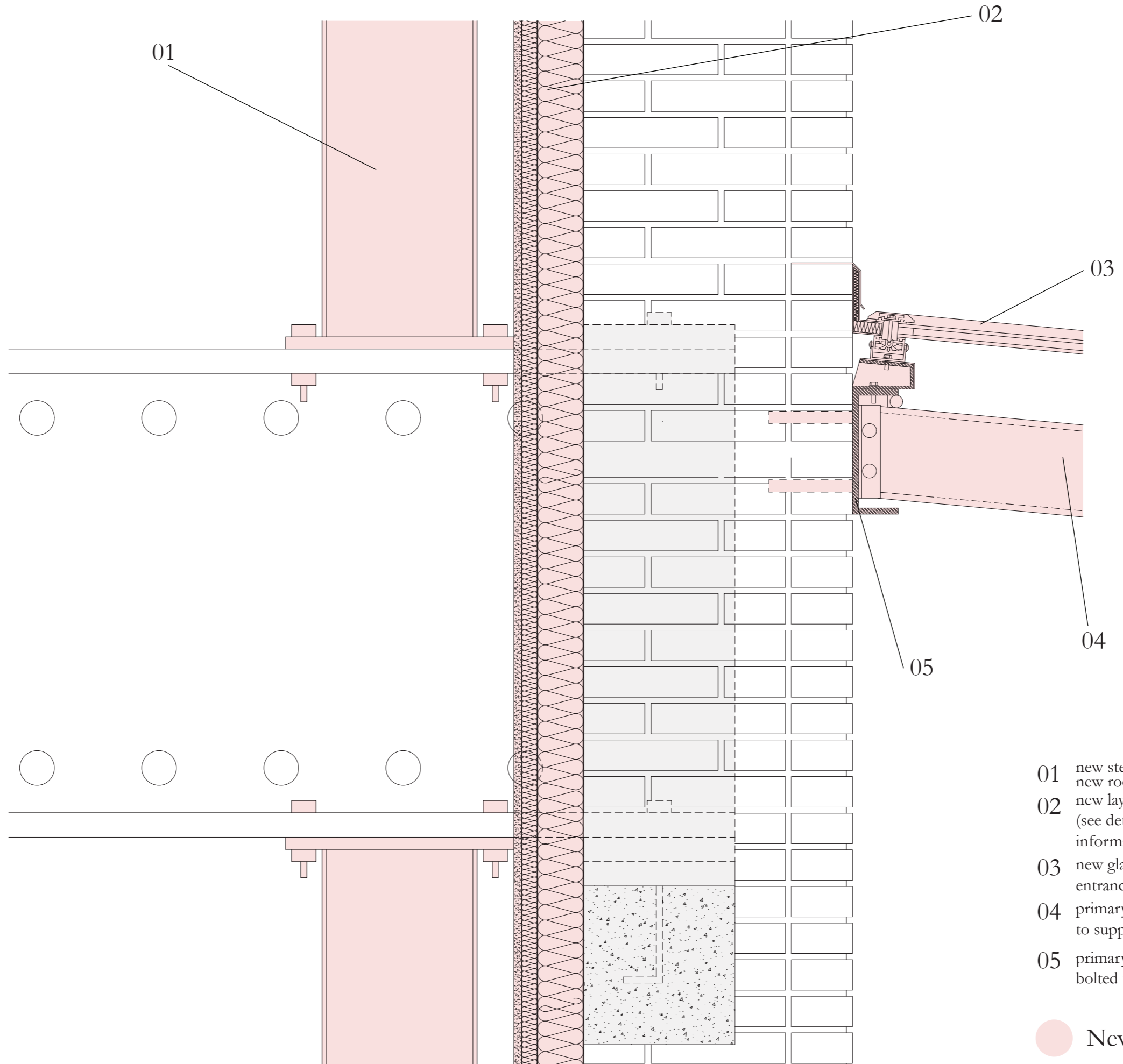


- 1. Undercloak slider
- 2. Spiked base which grips insulation
- 3. Plastic peg (length varies with insulation)
- 4. Screw fixing



- 01 support decking
- 02 rigid insulation
- 03 structural underlay
- 04 standing seam metal roof
- 05 steel purlin
- 06 new layer on the inside
(see detail 1 for more information)
- 07 existing steel truss
- 08 waterproof layer
- 09 high performance vapour barrier
- New

Detail 4 (1:5)

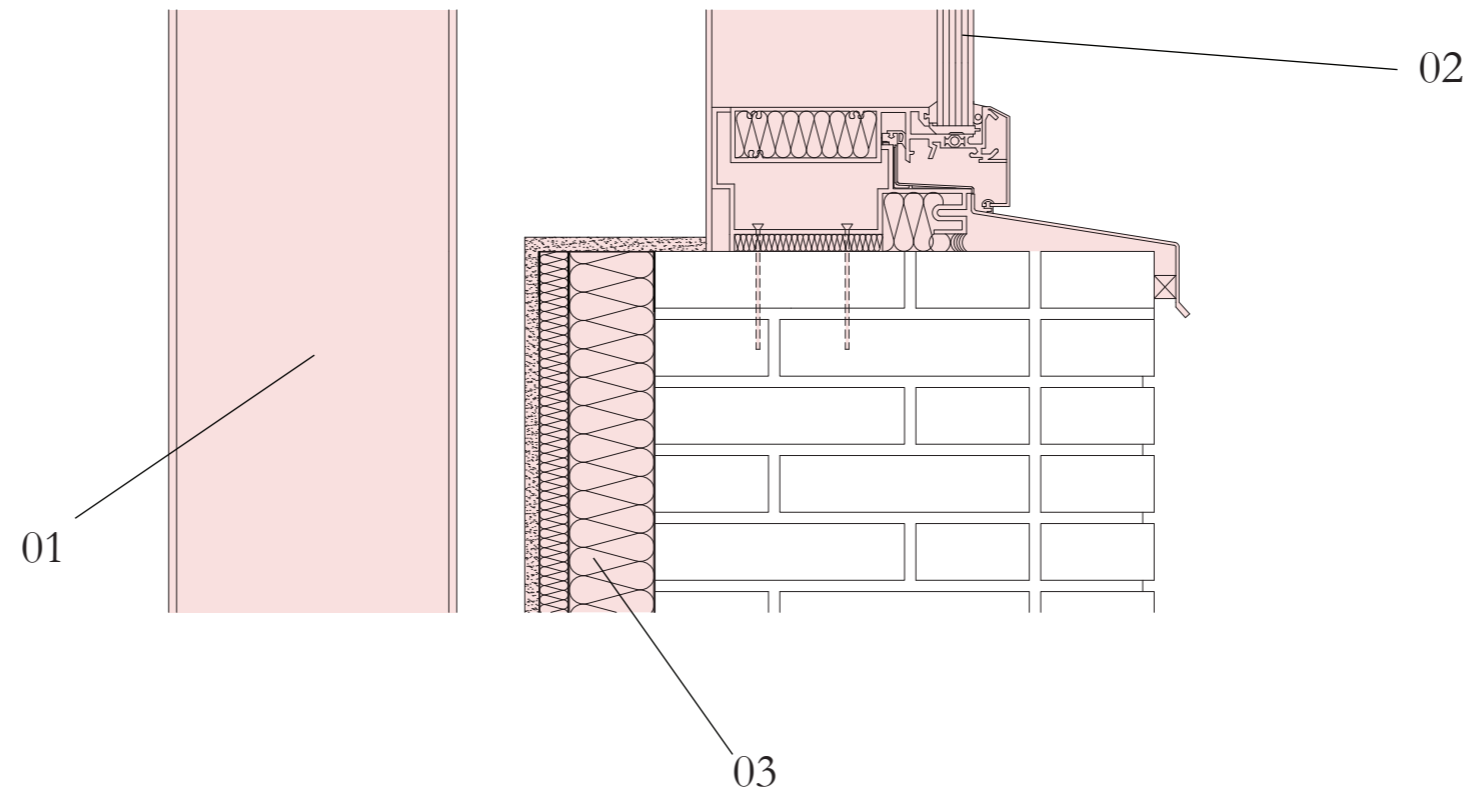


- 01 new steel column to support new roof
- 02 new layer on the inside (see detail 1 for more information)
- 03 new glass roof for the glass entrance enclosure
- 04 primary steel structure to support glass roof
- 05 primary steel structure bolted to existing wall

● New

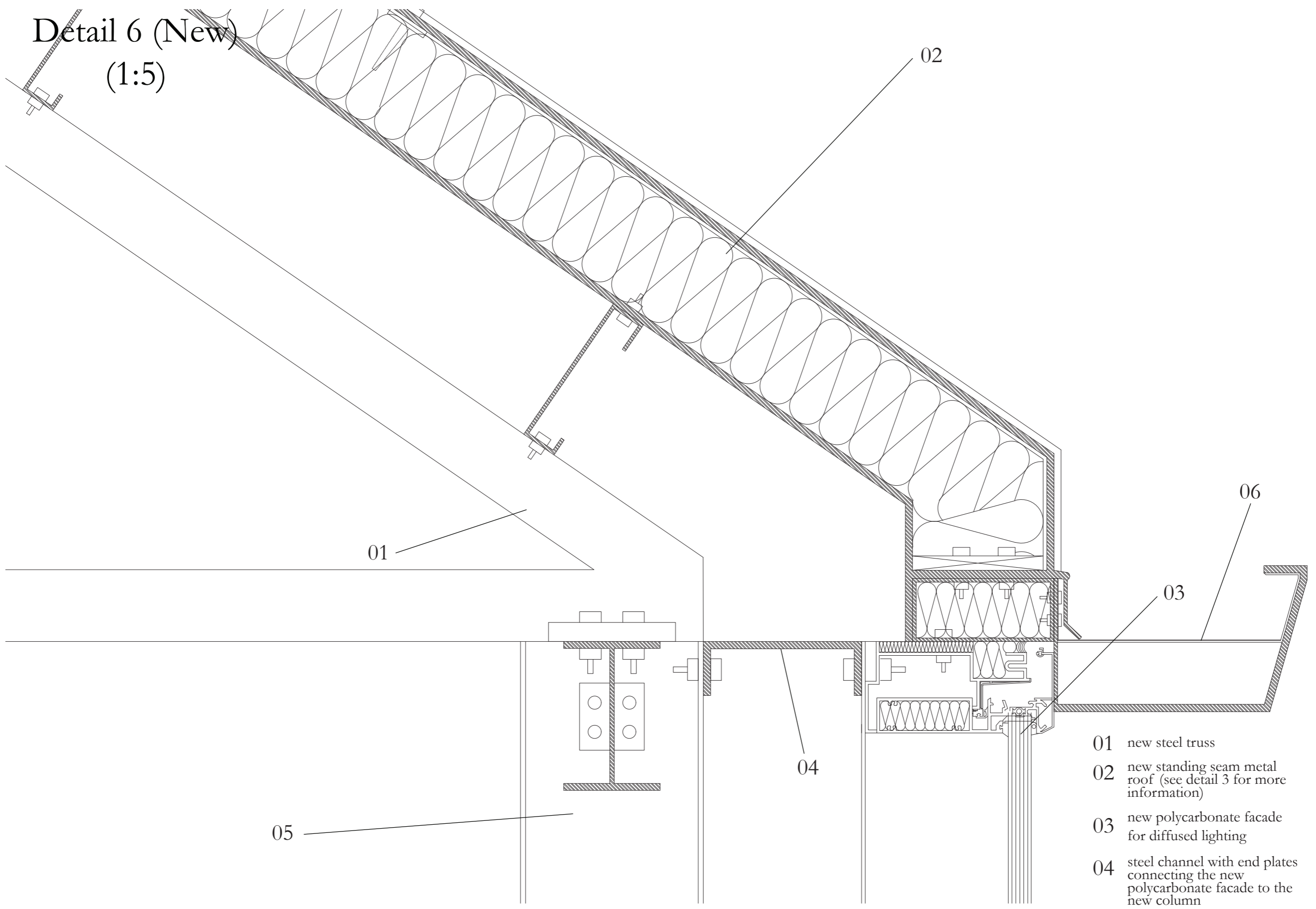
Detail 5

(1:5)

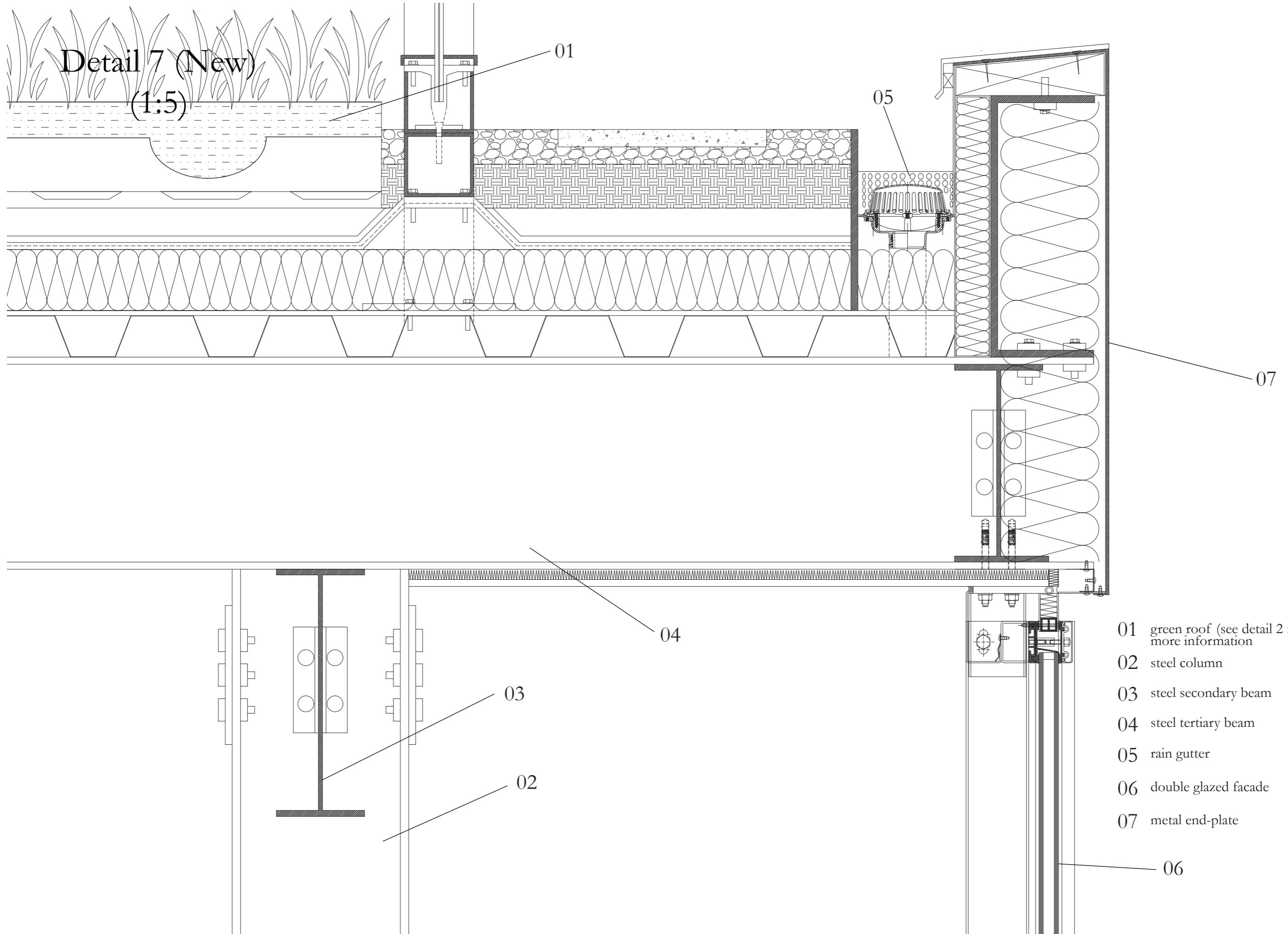


- 01 new steel column to support new roof
 - 02 new polycarbonate facade for diffused lighting
 - 03 new layer on the inside (see detail 1 for more information)
- New

Detail 6 (New)
(1:5)



- 01 new steel truss
- 02 new standing seam metal roof (see detail 3 for more information)
- 03 new polycarbonate facade for diffused lighting
- 04 steel channel with end plates connecting the new polycarbonate facade to the new column
- 05 new steel column to support new roof and new polycarbonate facade
- 06 new roof gutter



Detail 7 (New)
(1:5)

01

05

07

04

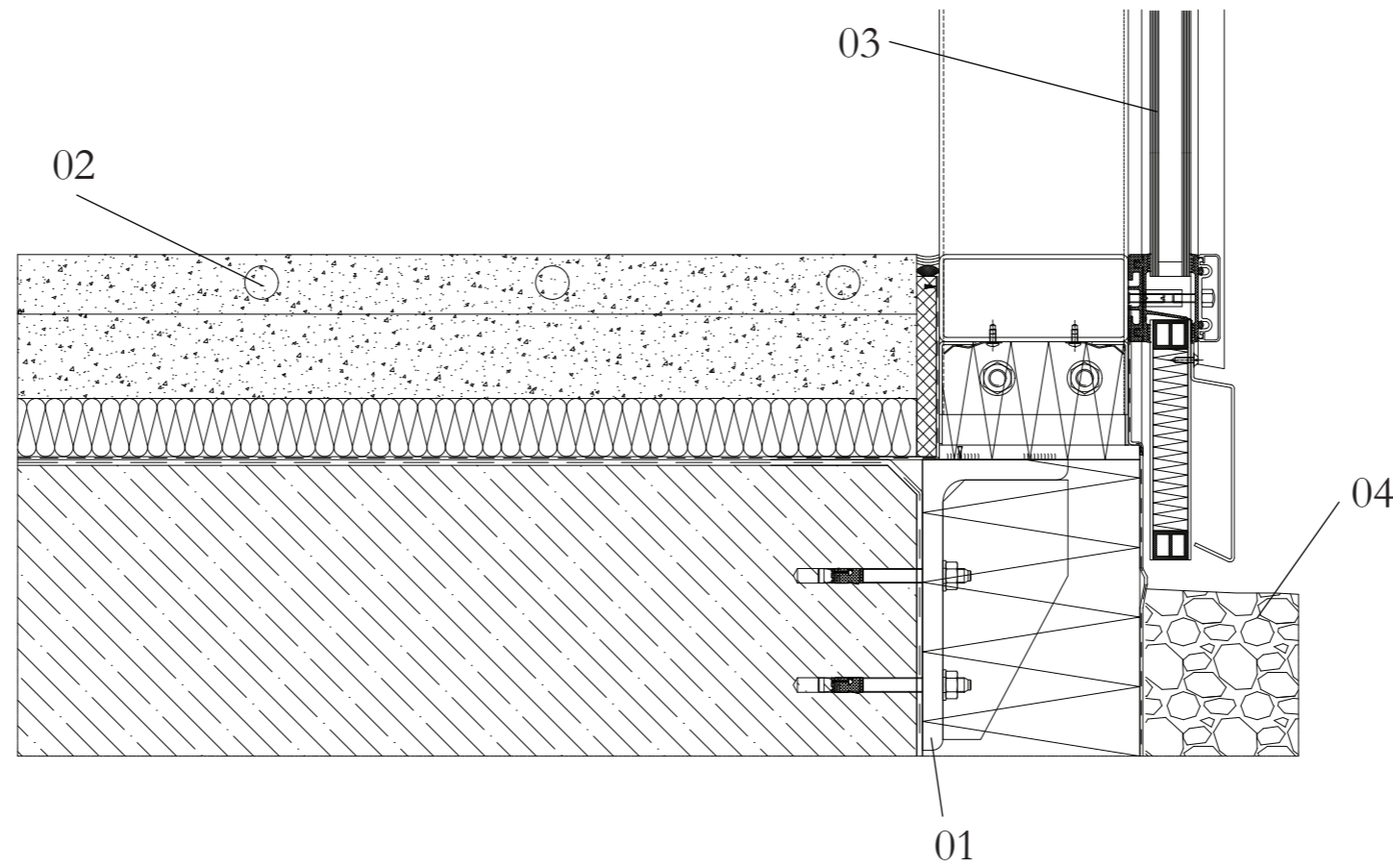
03

02

- 01 green roof (see detail 2 for more information)
- 02 steel column
- 03 steel secondary beam
- 04 steel tertiary beam
- 05 rain gutter
- 06 double glazed facade
- 07 metal end-plate

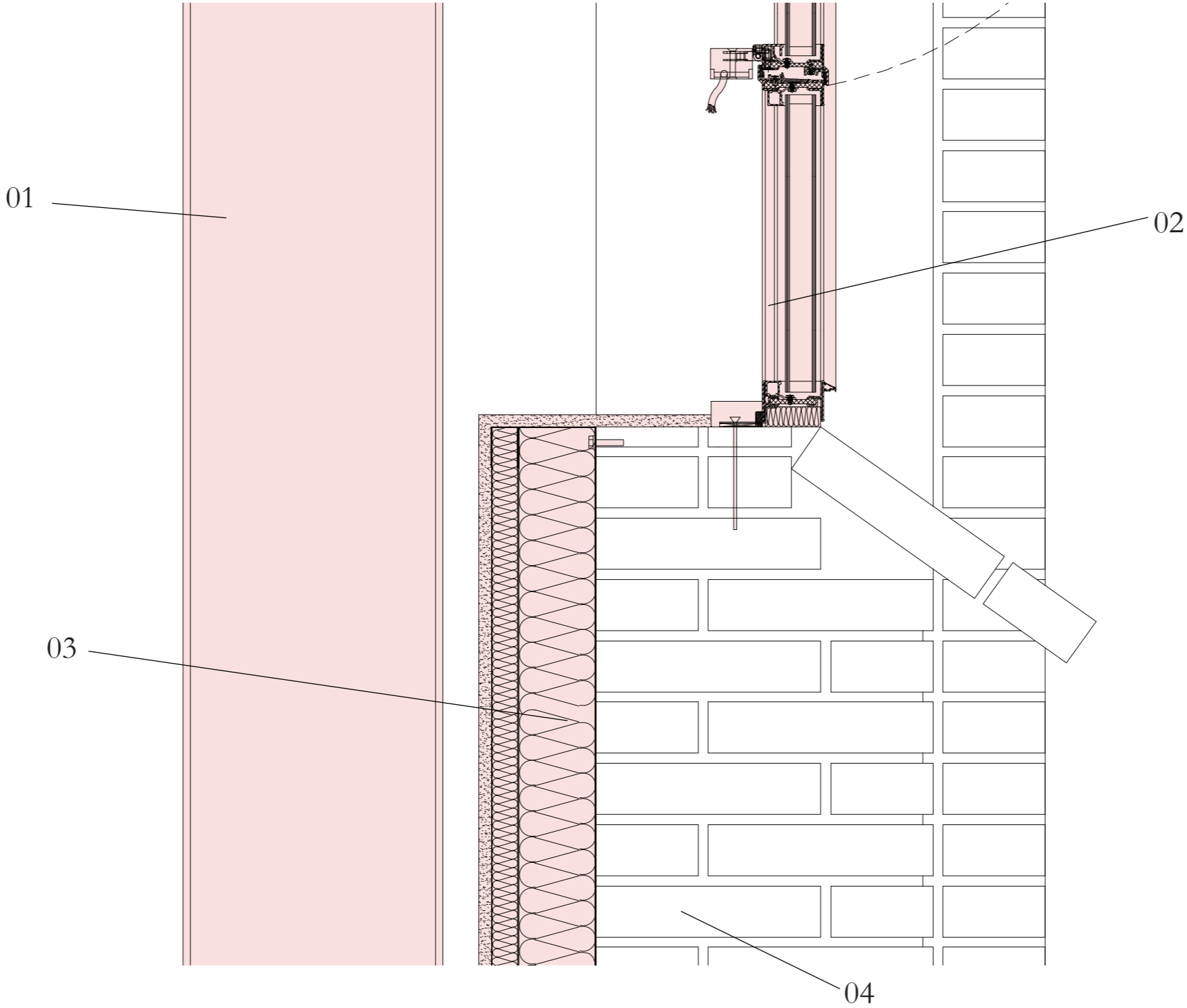
06

Detail 8 (New)
(1:5)



- 01 anchoring in front of base plate
- 02 floor with pipes for heating/cooling
- 03 double glazed curtain wall
- 04 exterior grade

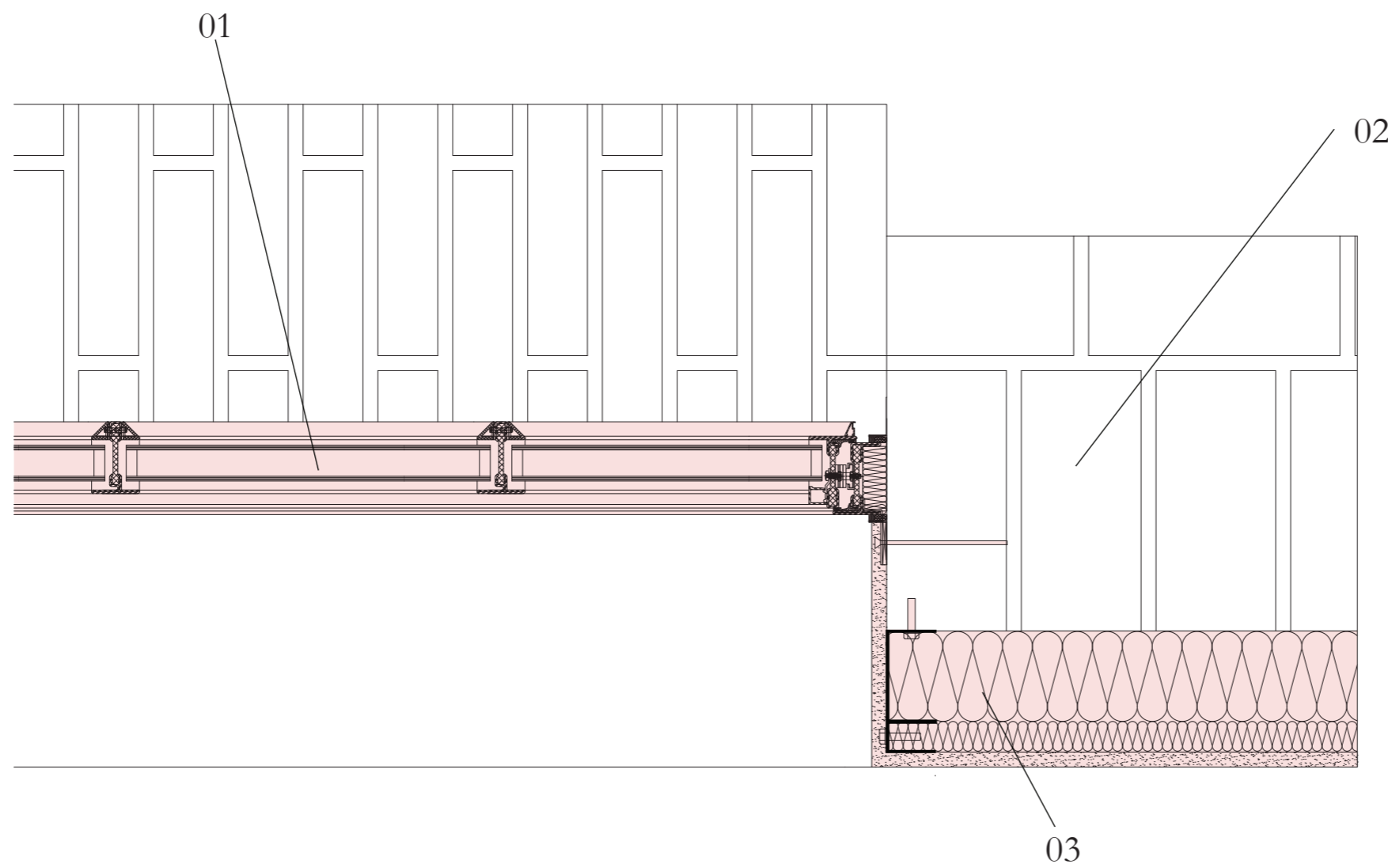
Detail 9
(1:5)



- 01 new steel column
- 02 janisol arte operable (pivot) double glazing
- 03 new layer on the inside (see detail 1 for more information)
- 04 existing wall

● New

Detail 10
(1:5)



- 01 janisol arte operable (pivot) double glazing
- 02 existing wall
- 03 new layer on the inside (see detail 1 for more information)

● New