

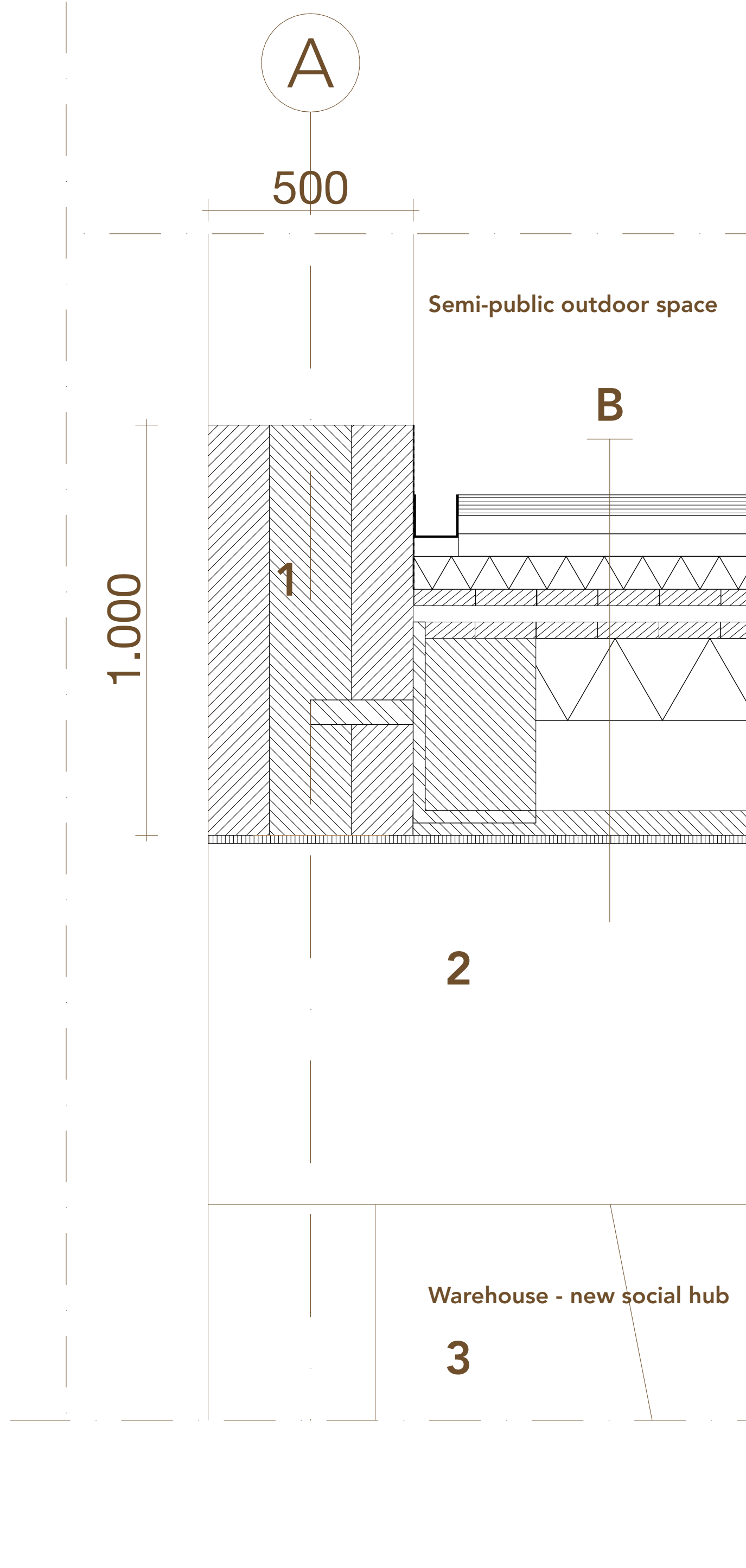
V01 - 1:10

- A. Roof structure**
 (Solar panel)
 100 mm vegetation
 40 mm drainage element
 waterproof membrane
 150 mm Hennepe isolation
 60 mm Hennepe isolation
 60 mm bonded chipping fill
 vapour barier
 120 mm CLT
 480 mm wooden roof structure w/ Hennepe isolation
 20 mm sacrificial wood

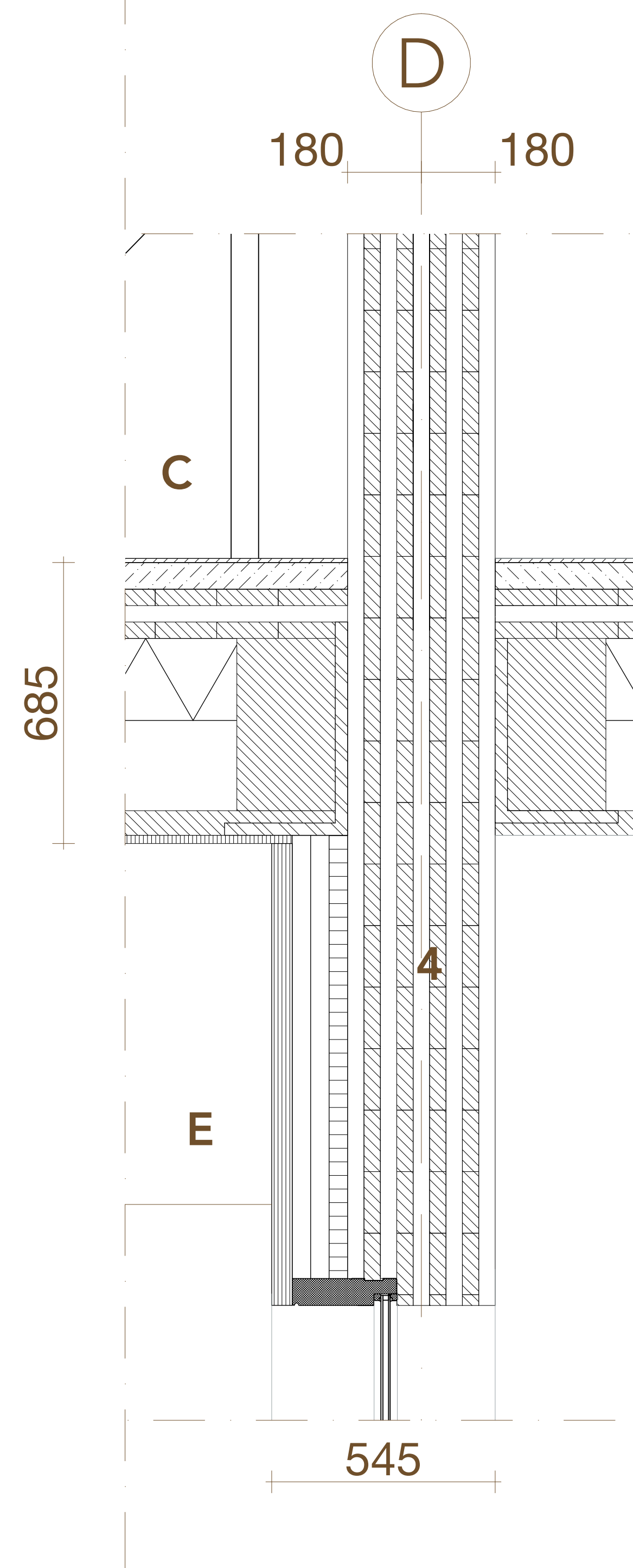
1. GLULAM 1000x500 mm - main cross structure
2. GLULAM beam 600x300 mm- relative to core structure
3. CLT slaps used as structural supports
4. Core functioning as main structure

- B. Terrace structure**
 50 mm nobble wood
 45 mm horizontal battens
 45 mm vertical battens
 20 mm water resistant fiber wood
 vapour barier
 60 mm Hennepe isolation
 120 mm CLT
 480 mm wooden roof structure w/ Hennepe isolation
 20 mm sacrificial wood

- C. Floor structure (Circulation space)**
 10 mm solid oak (Hard floor finish)
 60 mm bonded chipping fill
 120 mm CLT
 480 mm wooden roof structure w/ Hennepe isolation
 20 mm sacrificial wood

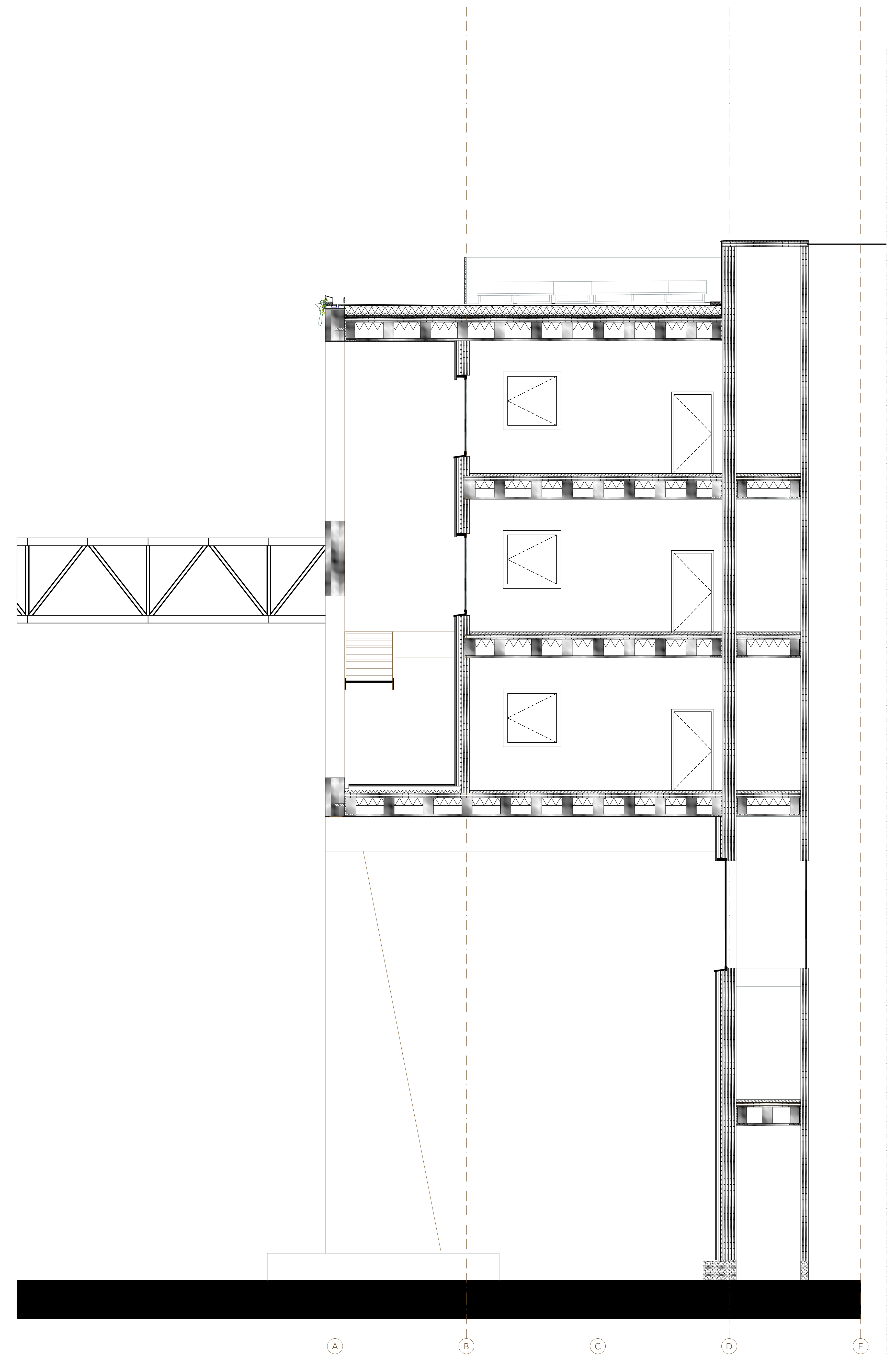


V02 - 1:10

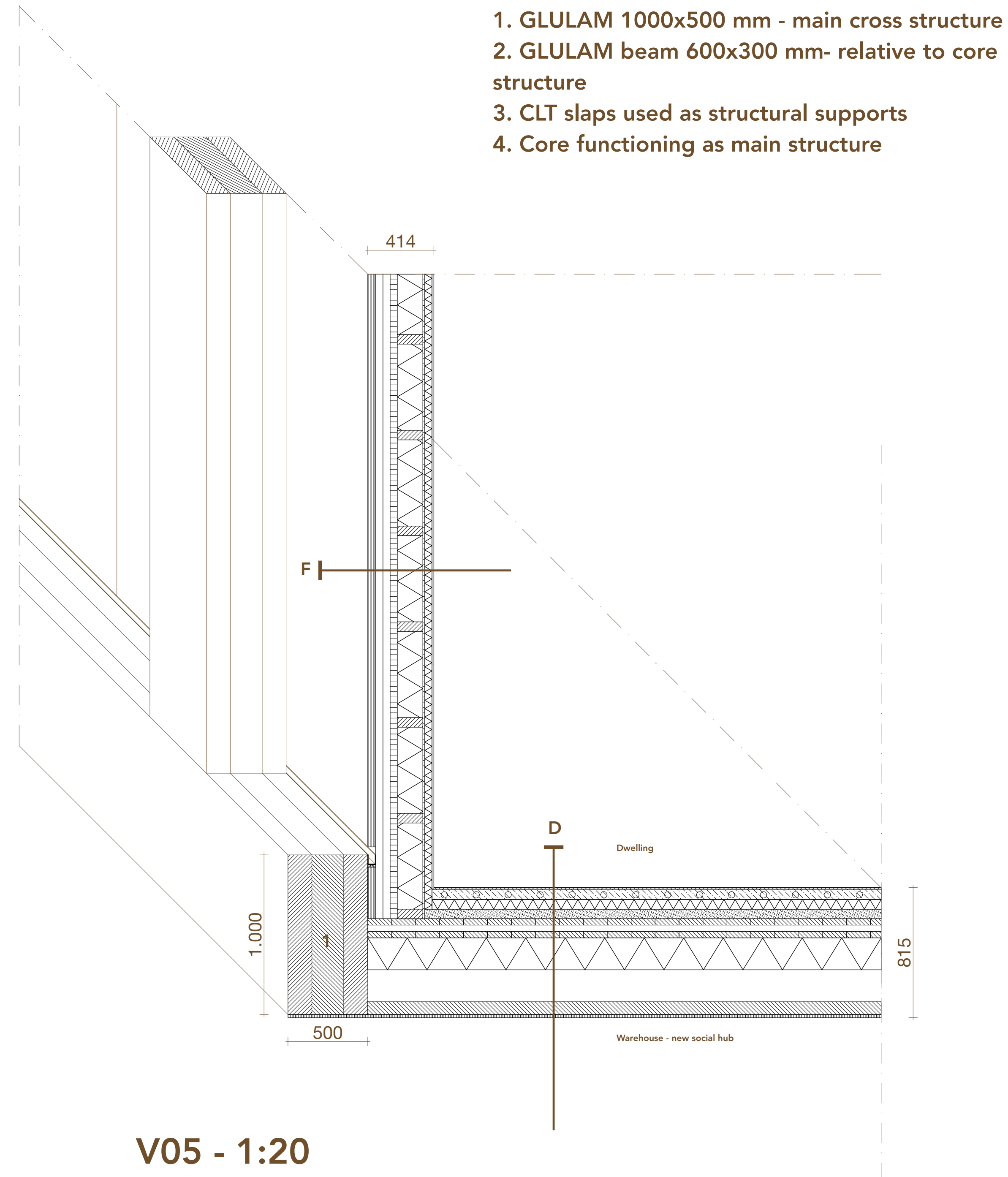
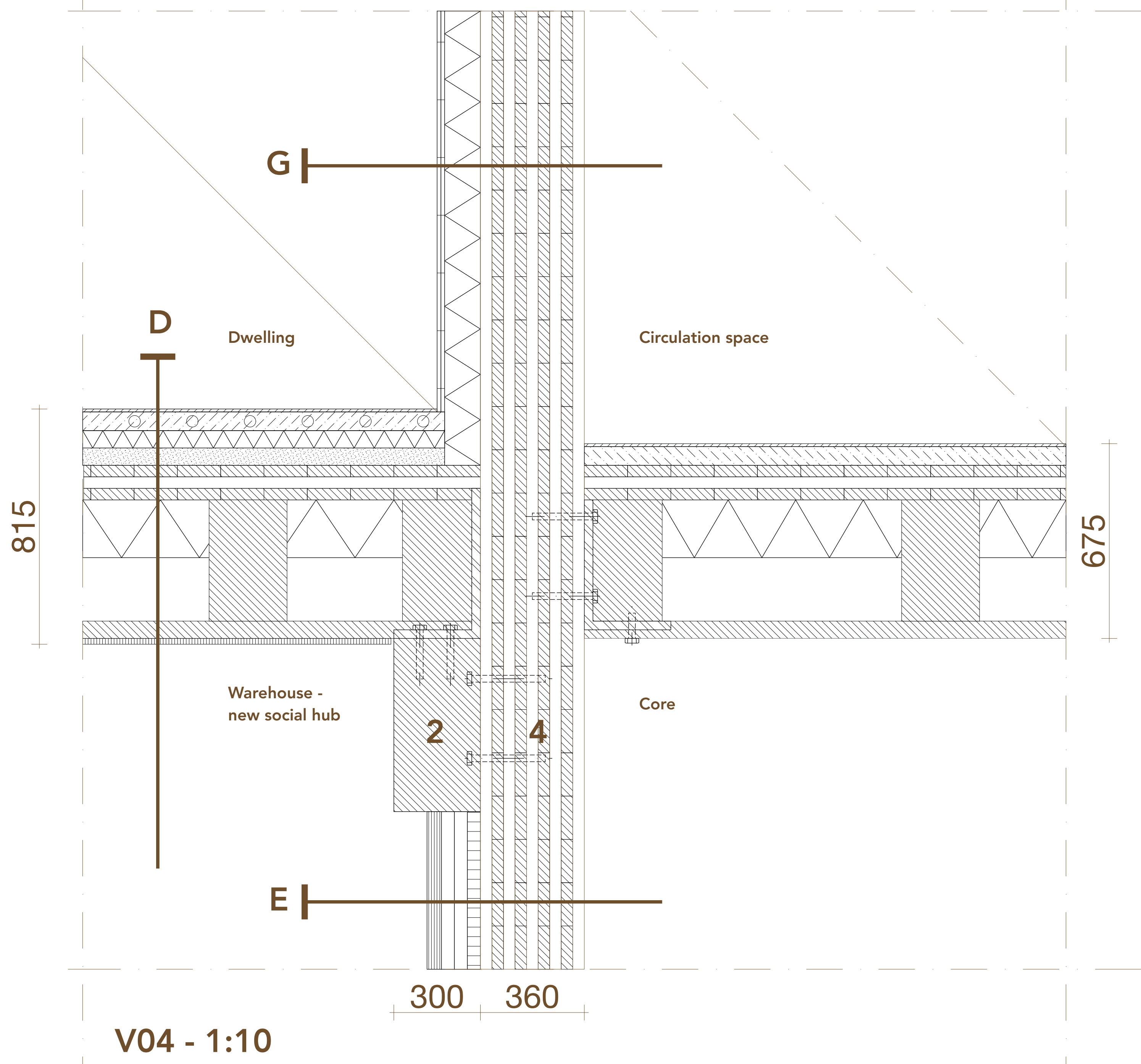


V03 - 1:10

- E. Wall structure (New social hub → Core)**
 50 mm nobble wood
 45 mm horizontal battens
 45 mm vertical battens
 20 mm water resistant fiber wood
 360 CLT



Fragment - 1:50



1. GLULAM 1000x500 mm - main cross structure
2. GLULAM beam 600x300 mm- relative to core structure
3. CLT slaps used as structural supports
4. Core functioning as main structure

D. Floor structure
(Dwelling → New social hub)

- 10 mm solid oak (Hard floor finish)
- 65 mm heating screed
- 60 mm hennep isolation
- 60 mm bonded chipping fill
- vapour barrier
- 120 mm CLT
- 480 mm wooden floor structure (w/ 200 hennep isolation)
- 20 mm sacrificial wood

G. Wall structure
(Dwelling → Circulation space)

- 2x 12,5 mm plaster board
- 125 mm Hennep isolation
- 360 CLT

E. Wall structure
(New social hub → Core)

- 50 mm nobble wood
- 45 mm horizontal battens
- 45 mm vertical battens
- 20 mm water resistant fiber wood
- 360 CLT

F. Wall structure
(New social hub → Dwelling)

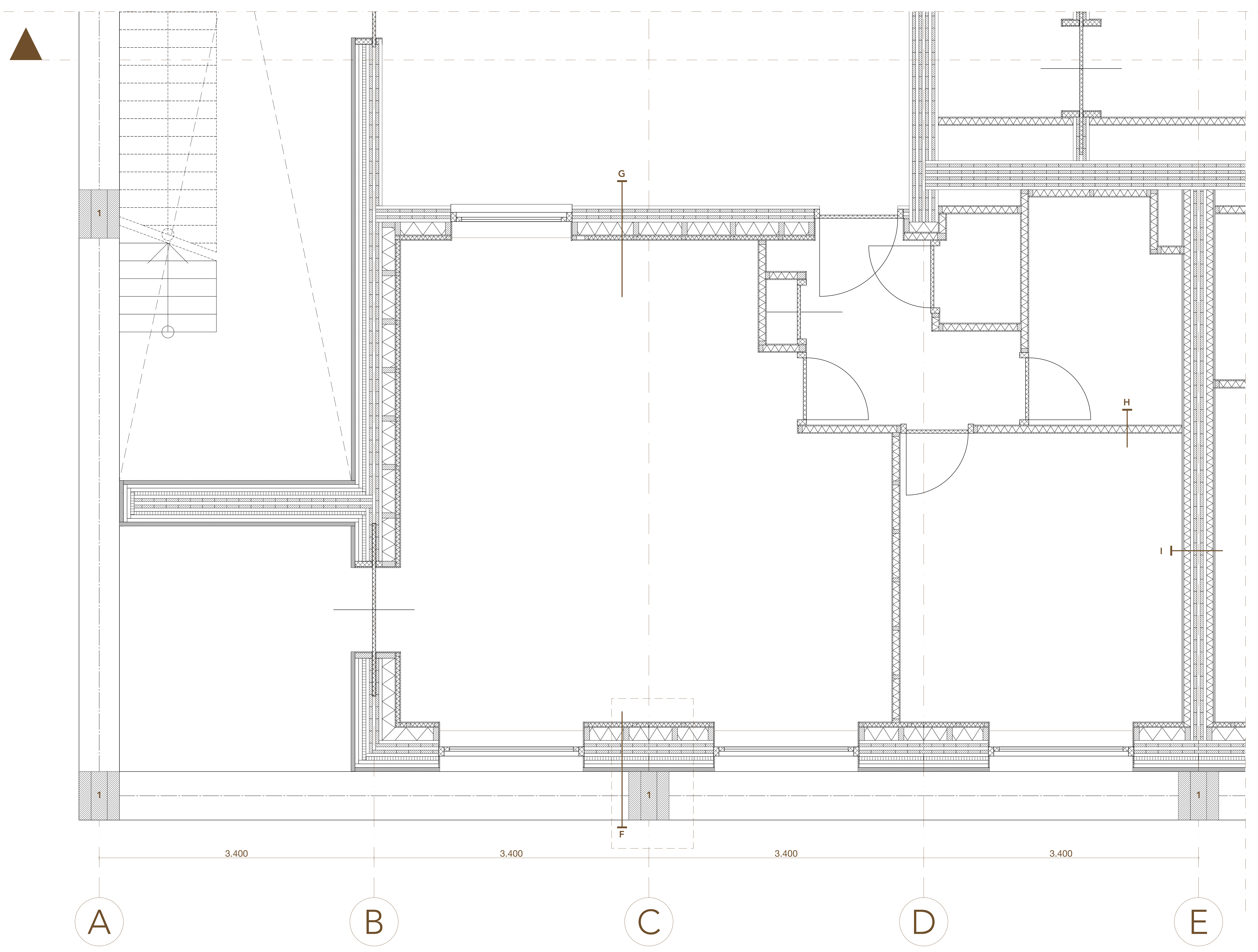
- 50 mm nobble wood
- 45 mm horizontal battens
- 45 mm vertical battens
- 20 mm water resistant fiber wood
- 160 mm wooden structure w/ Hennep isolation
- 45 studs w/ Hennep isolation
- 12,5 mm paster board

I. Dwelling separating wall

- 2x 12,5 mm plaster board
- 80 mm Hennep isolation
- 200 CLT
- 80 mm Hennep isolation
- 2x 12,5 mm plaster board

H. Internal walls

- 12,5 mm plaster board
- 80 mm Hennep isolation
- 12,5 mm plaster board



H01 - 1:20

FROM INDUSTRY TO COMMUNITY



