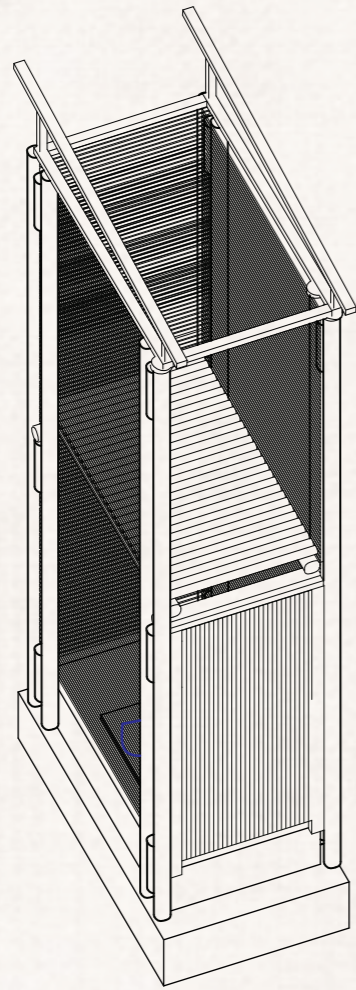


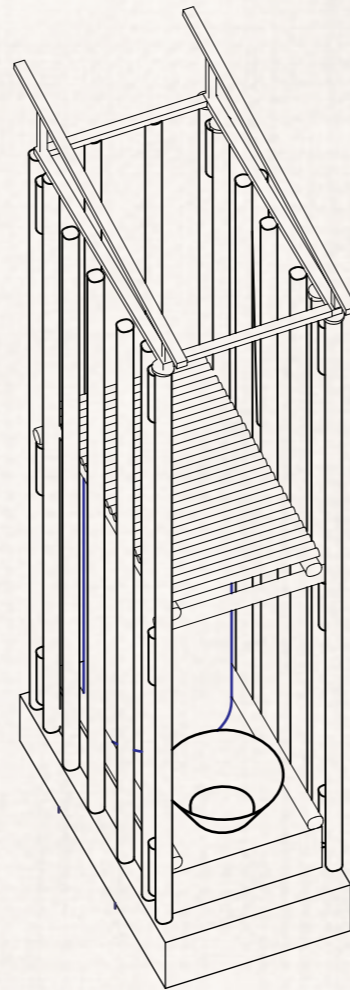
An isometric architectural drawing of a residential block. The drawing shows a central courtyard area with a yellow checkered floor, surrounded by various units and buildings. Some units have balconies with plants, and there are small figures of people walking around. Blue dashed lines indicate a path or boundary within the block. The overall style is clean and technical, typical of architectural illustrations.

# Handbook

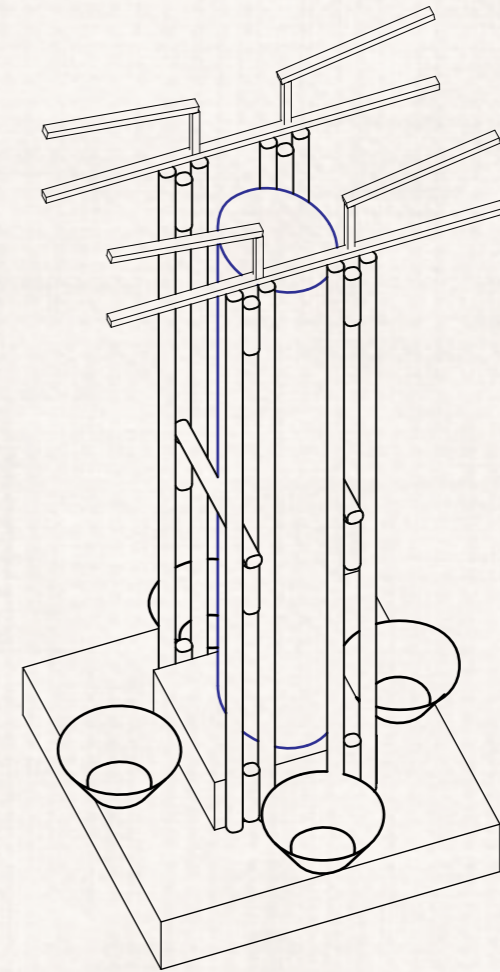
How to **organise** and self-**build** the Units



**Toilet unit**



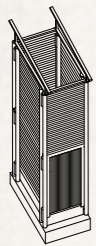
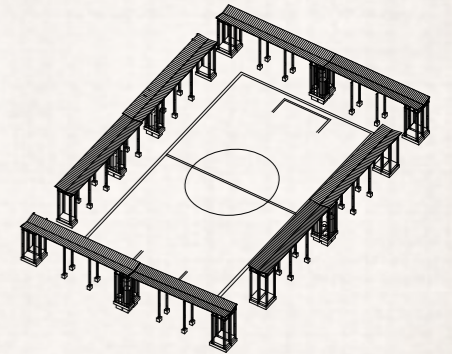
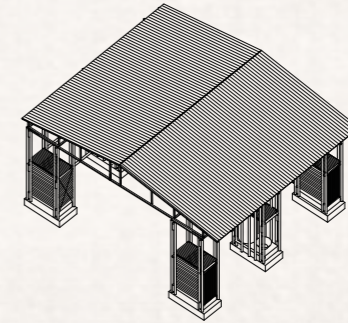
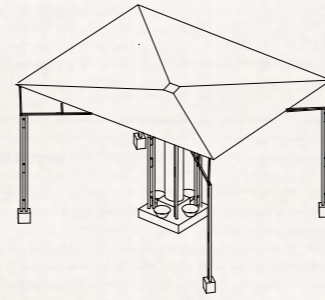
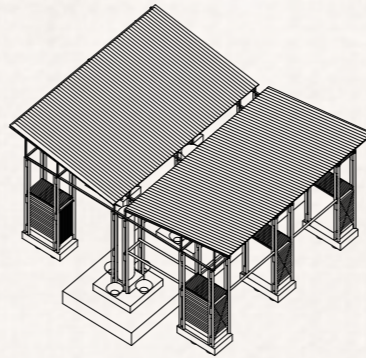
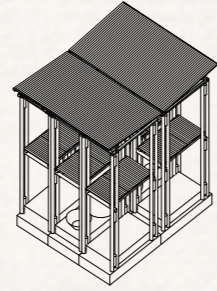
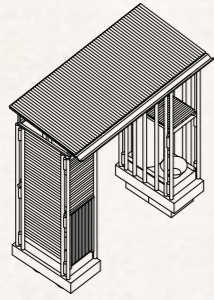
**Water unit small**



**Water unit big**

Possible structures

Basic constructive units



Toilet unit

X

XXX

XXX  
XXX

XXX

XXXXXX  
XXXXXX  
XXXXX



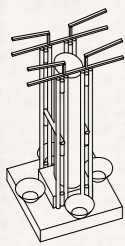
Water unit small

X

XXX

XXX

XXXXXX

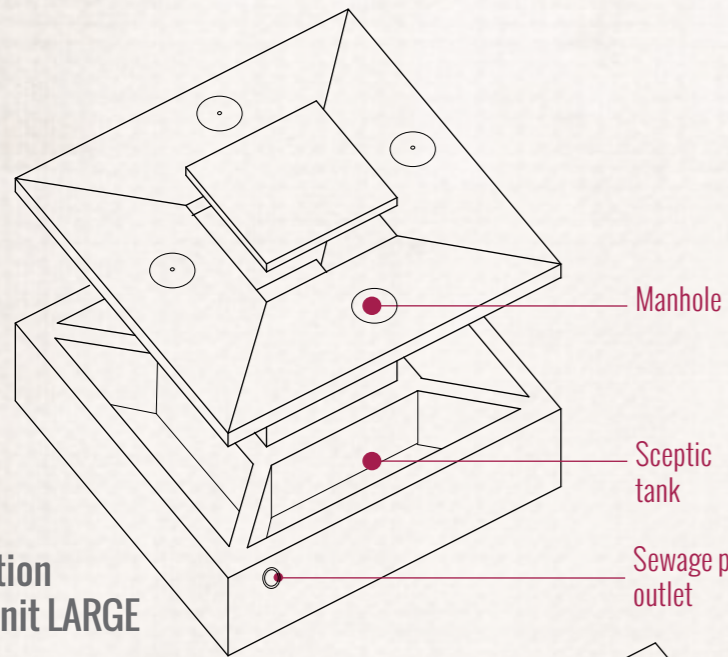


Water unit big

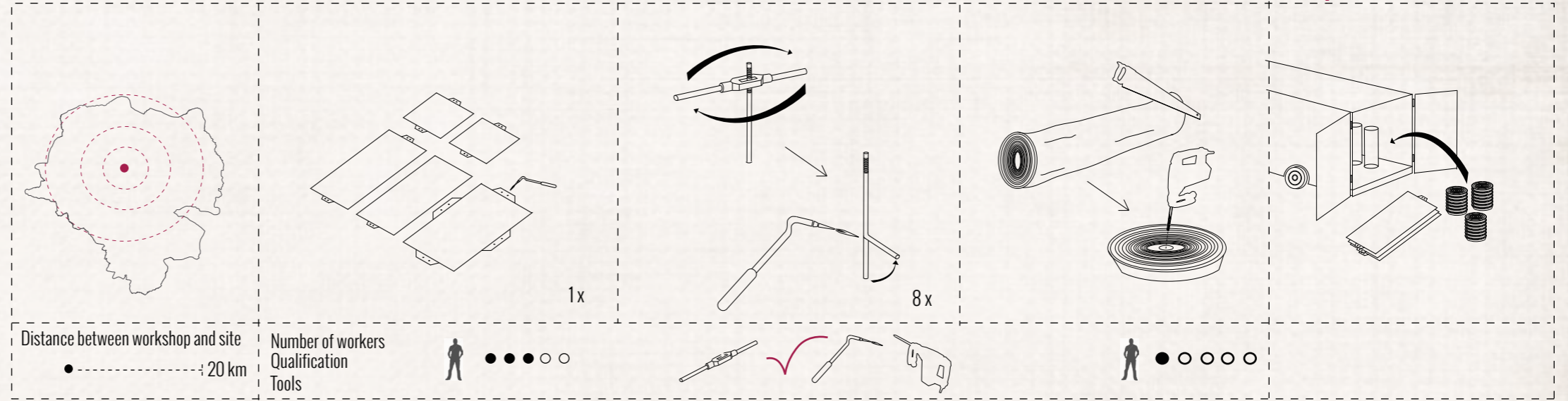
XXX

X

# 1 Foundation

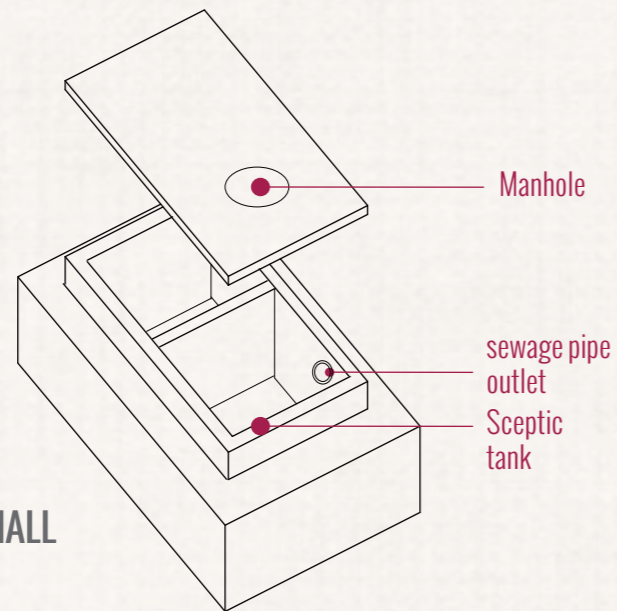
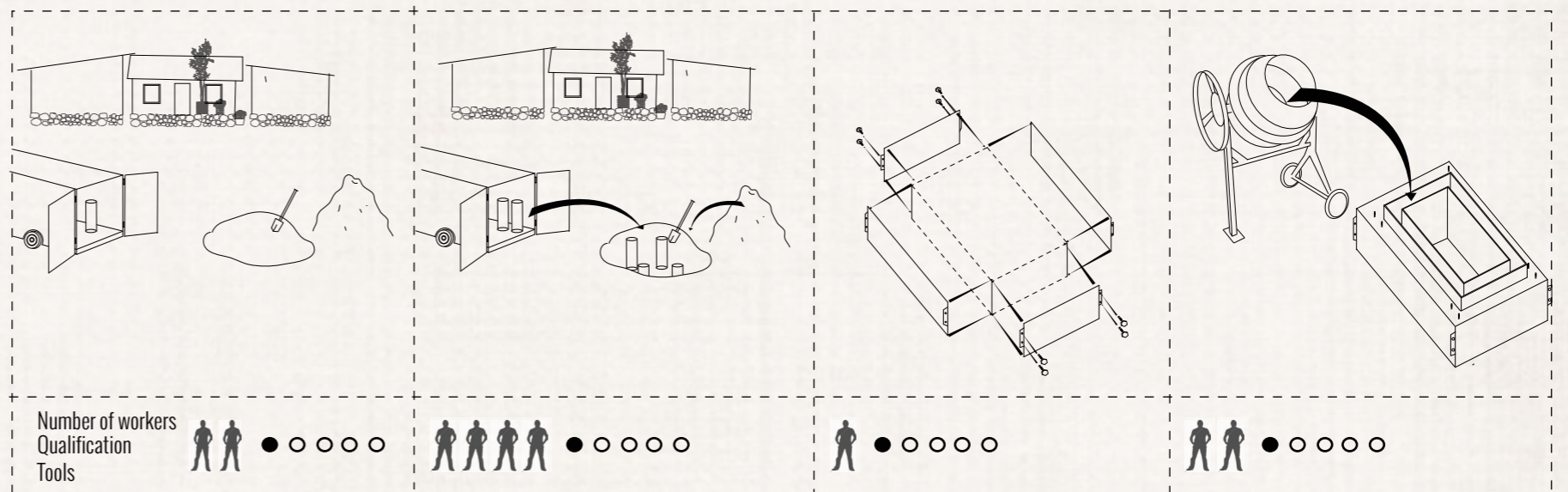


## Preperations in workshops



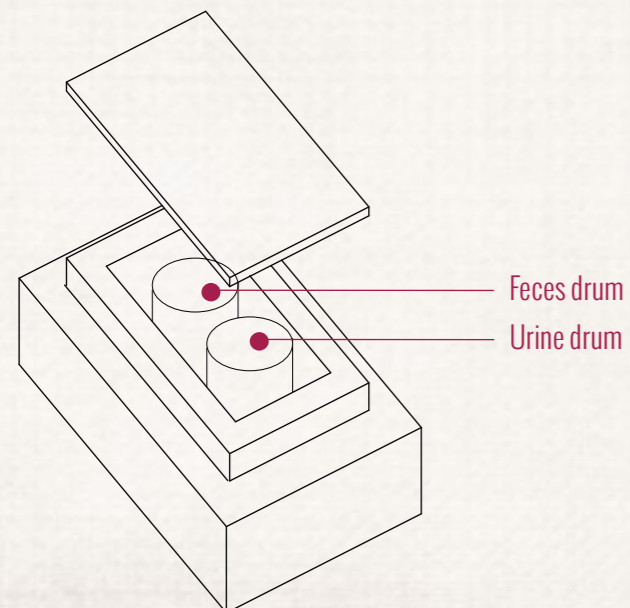
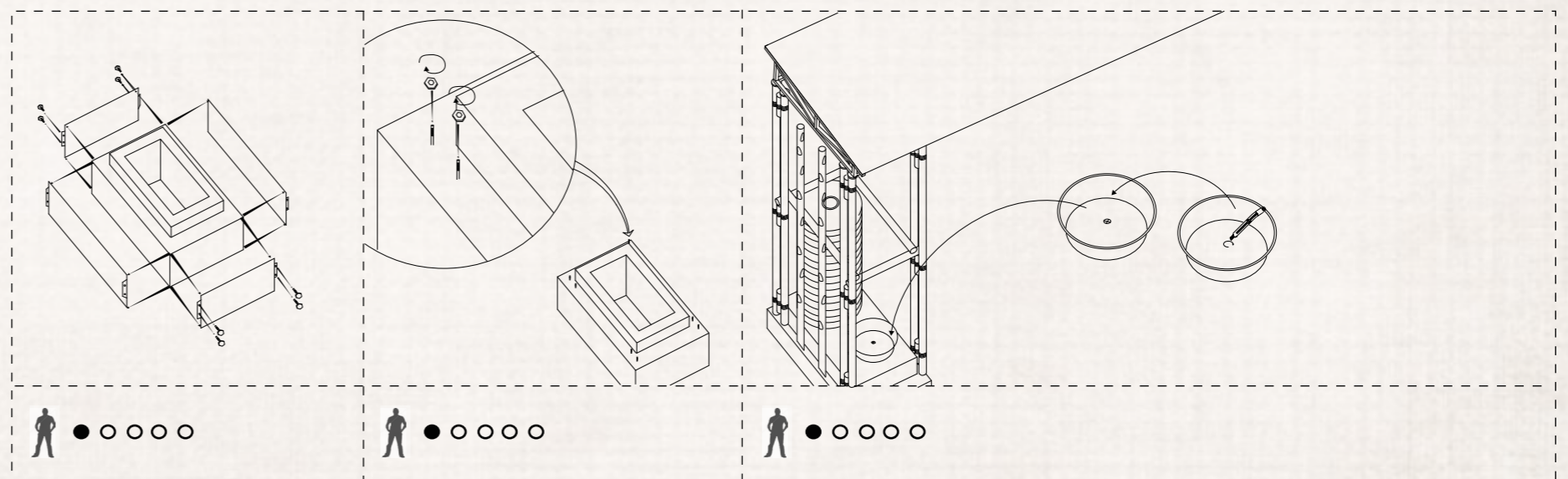
## Transportation to site

## On-site setup by Foundation Team



Foundation Water unit SMALL

## On-site setup by residents

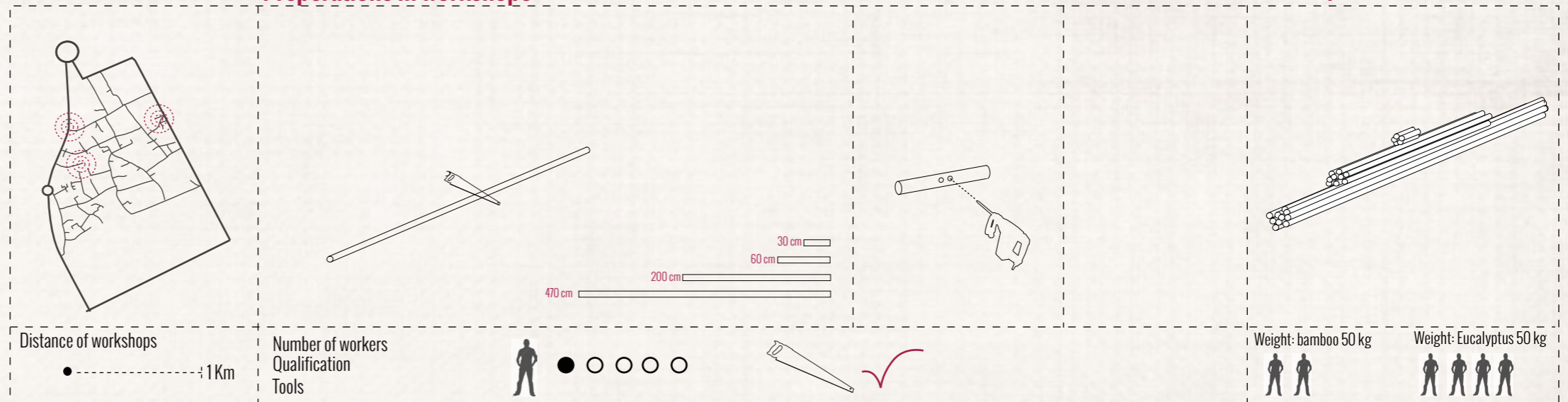


Foundation Toilet unit

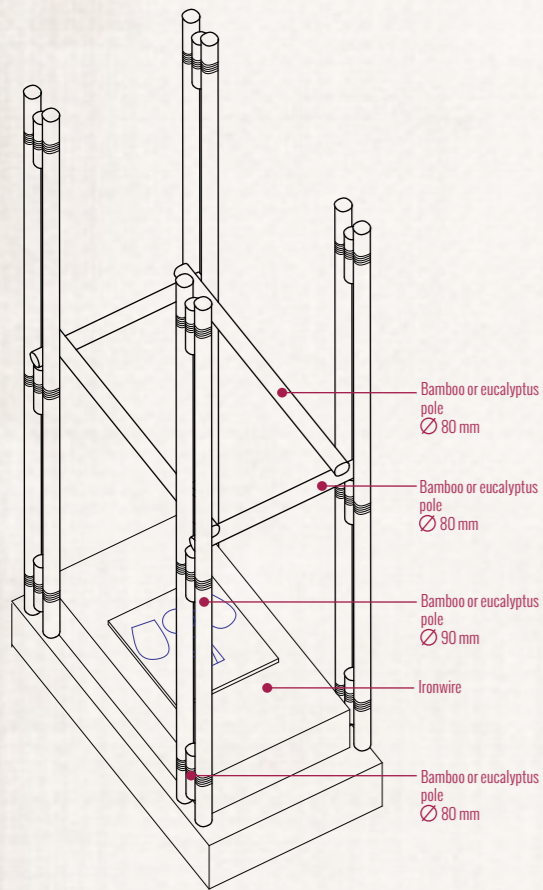
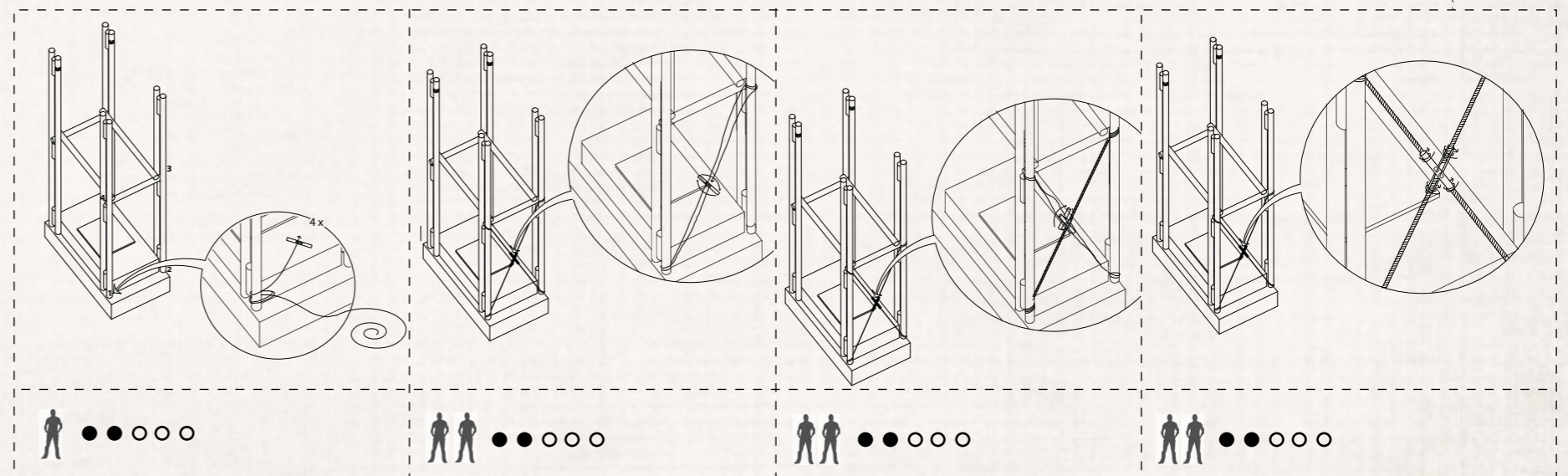
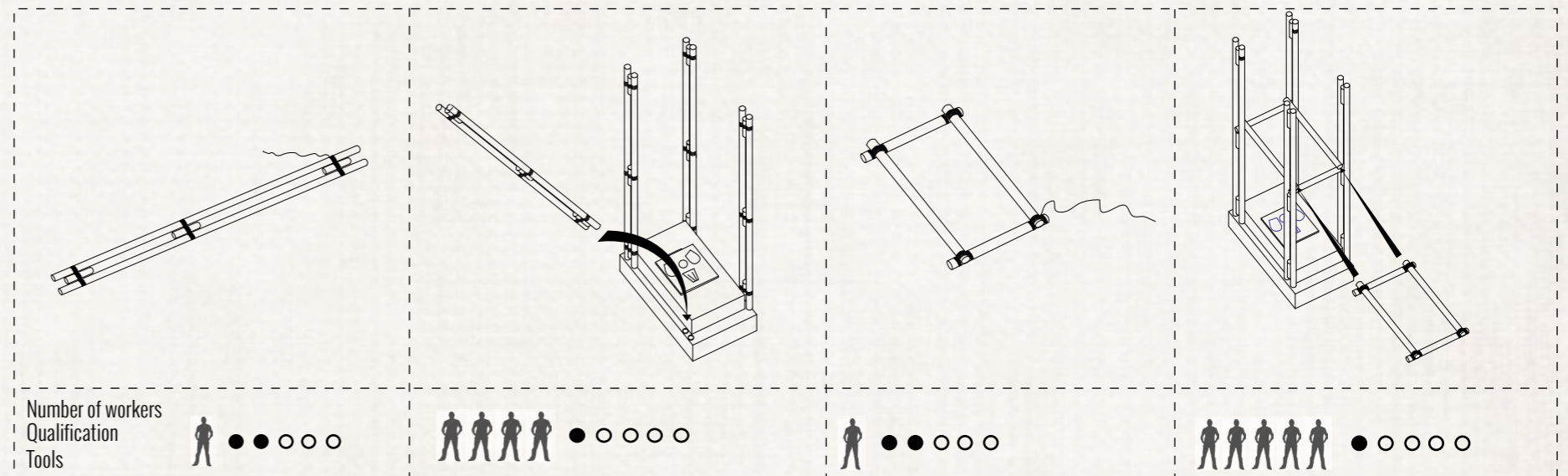
## 2 Bamboo/Eucalyptus structure

### Preparations in workshops

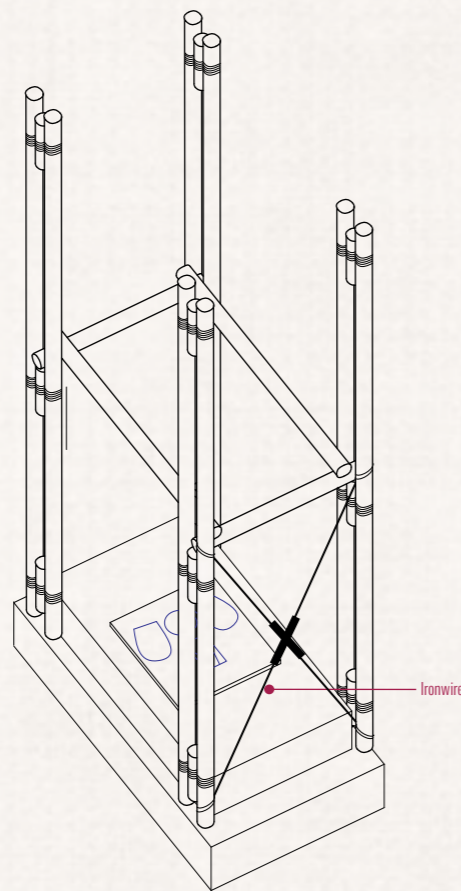
### Transportation to site



### On-site setup by residents of compound association



Courtyard side



Street side

# 3 Roof

## Preparations in workshops

## Transportation to site

<p>Steel Wood</p>	<p>4x 4x</p>	<p>30 cm 4x</p>	<p>4x 9x</p>	<p>4x 1x 1x</p>
<p>Distance of workshops</p> <p>●-----1Km</p>	<p>Number of workers</p> <p>Qualification</p> <p>Tools</p>	<p>Weight: Steel 30 kg</p> <p>Weight: Eucalyptus 40 kg</p> <p>Weight: Eucalyptus 10 kg</p>		

## On-site setup by residents of compound association (steel roof construction)

- Corrugated iron sheet 2,5 m wide
- Gutter: Folded iron sheet
- Iron roof sheet mounting: Corner profile 50x50x2 mm
- Roof construction: Square profiles 50x50x3 mm
- Gutter mounting: Bar steel 50x3 mm

<p>Number of workers</p> <p>Qualification</p> <p>Tools</p>	<p>Number of workers</p> <p>Qualification</p> <p>Tools</p>	<p>Number of workers</p> <p>Qualification</p> <p>Tools</p>	<p>Number of workers</p> <p>Qualification</p> <p>Tools</p>

## On-site setup by residents of compound association (bamboo / eucalyptus roof construction)

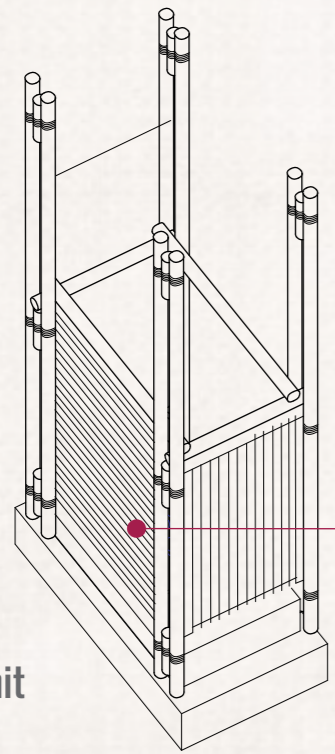
- Roof construction: Eucalyptus/bamboo 60 mm
- Gutter mounting: Bar steel

<p>Number of workers</p> <p>Qualification</p> <p>Tools</p>	<p>Number of workers</p> <p>Qualification</p> <p>Tools</p>	<p>Number of workers</p> <p>Qualification</p> <p>Tools</p>	<p>Number of workers</p> <p>Qualification</p> <p>Tools</p>

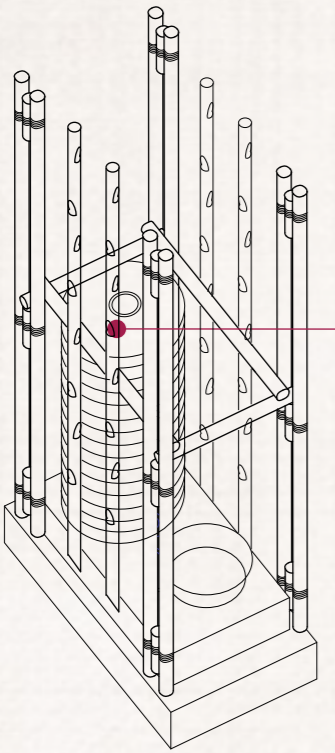
Steel profiles

Bamboo / Eucalyptus

# 3 Facade



Toilet unit



Water unit

Number of workers: 2 icons	Qualification: 5 circles (1 solid, 4 hollow)
Tools:	

Number of workers: 2 icons	Qualification: 5 circles (1 solid, 4 hollow)	Number of workers: 2 icons	Qualification: 5 circles (1 solid, 4 hollow)
Tools:			

# 4 Infill

