

Electrothermal simulation of superconducting nanowire avalanche photodetectors

Francesco Marsili,^{1,a)} Faraz Najafi,¹ Charles Herder,¹ and Karl K. Berggren^{1,2}

¹Department of Electrical Engineering and Computer Science, Massachusetts Institute of Technology, 77 Massachusetts Avenue, Cambridge, Massachusetts 02139, USA

²Kavli Institute of Nanoscience, Delft University of Technology, Lorentzweg 1, 2628CJ Delft, The Netherlands

(Received 18 December 2010; accepted 8 February 2011; published online 2 March 2011)

We developed an electrothermal model of NbN superconducting nanowire avalanche photodetectors (SNAPs) on sapphire substrates. SNAPs are single-photon detectors consisting of the parallel connection of N superconducting nanowires. We extrapolated the physical constants of the model from experimental data and we simulated the time evolution of the device resistance, temperature and current by solving two coupled electrical and thermal differential equations describing the nanowires. The predictions of the model were in good quantitative agreement with the experimental results. © 2011 American Institute of Physics. [doi:10.1063/1.3560458]

We simulated the photoresponse of NbN superconducting nanowire avalanche photodetectors (SNAPs) (Ref. 1) on sapphire substrates. SNAPs are single-photon detectors consisting of the parallel connection of N superconducting nanowires (N -SNAPs, see Fig. 1), which provide a signal-to-noise ratio (SNR) of factor $\sim N$ higher than ordinary superconducting nanowire single-photon detectors (SNSPDs),¹ consisting of a single nanowire. Our group recently demonstrated that this enhancement of the SNR was crucial to reading out the photoresponse of ultra-narrow (20-nm-wide) nanowires.²

The detector is connected in series with an inductor (L_S), to ensure the correct operation of the device³ and in parallel with a readout resistor R_{load} . As all the parallel sections are nominally equal and have the same kinetic inductance (L_0), at the steady state they are biased at the same current (I_B/N , where I_B is the total bias current through the device).

When one section absorbs a photon, it switches to the normal state (initiating section) and diverts part of its current to the remaining sections (secondary sections) and R_{load} . If I_B is higher than a particular current level (the avalanche threshold current, I_{AV}), the current redistributed from the initiating section biases the secondary sections above their critical current I_C . At this point, all the sections become resistive, so most of the current flowing through the device (I_B) is diverted to R_{load} , where a current pulse $\sim N$ times higher than the current in a single section is formed.

I_{AV} is a key parameter for the device design and can be easily measured, providing a convenient validity check for the model of the device physics. As the existing model of SNAP operation failed to fit the experimental data,⁴ we developed an alternative phenomenological model describing the dynamics of the device after the formation of a normal domain in the initiating section (see Ref. 2 for a direct comparison between the two models).

We solved the two coupled electrical and thermal differential equations reported in Ref. 5 for each section of the SNAP at every instant of the simulation, obtaining the time evolution of the currents in the circuit and of the nanowire resistances and temperature profiles. Prior models for

superconducting-nanowire-based detectors were not suitable to accurately describe the cascade switching of the secondary sections in SNAPs because they either (1) disregarded the Joule heating in the photon-induced normal domain;⁶ (2) could only model single-nanowire detectors;^{5,7} (3) described parallel-nanowire detectors with a purely electrical model;⁸ or (4) described SNAPs as equivalent wider-nanowire single-nanowire detectors.⁹

We assumed the thermal response of the NbN nanowire to be bolometric and described the electron and phonon subsystems with a single reduced temperature (see Refs. 5 and 11 for further details). We did not use a two-temperature ($2-T$) description of our system such as the one proposed in Ref. 7 for the following reasons. First, the phonon escape time of few-nanometer-thick NbN on sapphire (τ_{es}) is of the same order as the phonon-electron interaction time (τ_{p-e}),¹⁰ which makes assuming thermal equilibrium between the two subsystems a reasonable approximation [which does not apply e.g., to Nb, for which $\tau_{p-e} \sim 10 \tau_{es}$ (Ref. 10)]. Second, the $2-T$ model relies on six parameters which are extremely challenging to determine experimentally, while our bolometric heat equation relies on only four parameters, two of which can be easily estimated from independent dc electrical measurements (see Ref. 11, section B). Third, although we

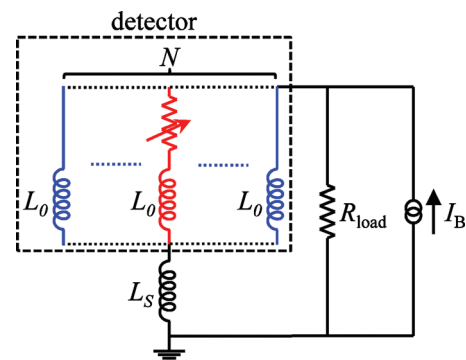


FIG. 1. (Color) Equivalent electrical circuit of an N -SNAP. The initiating section is in red, the secondary sections are in blue. The value of R_{load} was 50 Ω , and the value of L_S was chosen to satisfy the condition: $L_S(N-1)/L_0=10$ (Ref. 3).

^{a)}Electronic mail: marsili@mit.edu.

over-estimated the cooling of the electrons by the phonons (for assuming the two subsystems to be in thermal equilibrium), the discrepancy between the reduced temperature of our model and the electron temperature predicted by the 2- T model was partially compensated by under-estimating the cooling of the phonons by the substrate (see Ref. 11, section C).

Our model disregards the mechanism of formation and expansion of the photon-induced hotspot,¹² so the absorption of a photon results in the immediate superconducting-to-normal transition of a nanowire slab at the center of the nanowire. We assumed this initial normal slab to be as long as the NbN coherence length at zero temperature (ξ) and at a temperature (the normal-slab temperature, T_n) higher than the substrate temperature (T_{sub}). This last assumption was motivated by the fact that if we simulated the photoresponse of an SNSPD at low bias ($I_B < 0.7I_C$) and at too small a T_n value (for example, $T_n = T_{\text{sub}}$), the initial normal slab did not expand and no current was diverted to the load, which was in contrast to the experimental data. The normal-slab temperature was assumed to be $T_n = 8.5$ K, based on the following criterion: we performed preliminary simulations of the photoresponse of an SNSPD (of inductance $L = 36$ nH) biased at $I_B = 0.6 I_C$ for a variety of values of T_n [such that $I_C(T_n) < I_B$] and we adopted the minimum T_n for which more than 50% of I_B was diverted to R_{load} as the value of the normal-slab temperature in later device simulations.

To accurately describe the avalanche formation mechanism in SNAPs, we needed to model the nanowire response to an overcritical current pulse. For this purpose, we inserted a ξ -long weak link at the center of the nanowire where the normal domain could nucleate. The weak link was given a slightly lower critical current than the rest of the nanowire ($I_{\text{WL}} = 0.999I_C$). When the current through the nanowire exceeds I_{WL} , the weak link switches to the normal state (we disregarded the superconducting energy gap suppression time¹³) and is set to a temperature T_n .

We modeled the thermal coupling between NbN and sapphire with a state-independent heat-transfer coefficient per unit area $\alpha = A \cdot T^3$.⁵ As the outcome of our electrothermal simulations (e.g., the value of I_{AV}) was strongly dependent on the value of A , we estimated it from experimental data with the following method: we performed several electrothermal simulations of a nanowire voltage-biased in *hotspot-plateau* regime¹⁴ [Fig. 2(a)] varying the value of A to reproduce the behavior observed experimentally.

The circuit simulations started with the nanowire in the superconducting state, the bias voltage $V_B = 0$ V, and the current $I_B = 0$ A. At time = 0 s, we suddenly increased V_B and as a result, I_B increased until it exceeded the nanowire I_C [Fig. 2(b)]. A normal domain then formed at the center of the nanowire (around the weak link), whose size varied in time [see Fig. 2(c)] until it stabilized when I_B reached a constant value (the *hotspot current*, I_{HS}), as expected for the hotspot-plateau regime.¹⁴ The nanowire responded to any variation in V_B by changing the size of the normal domain and keeping I_B constant and equal to I_{HS} , which confirmed that our model correctly describes the hotspot-plateau regime. To find the correct value of A for our nanowires we relied on the fact that the value of I_{HS} depends on the thermal coupling between the NbN film and the sapphire substrate.¹⁴ We used A as a parameter in the hotspot-plateau regime simulations

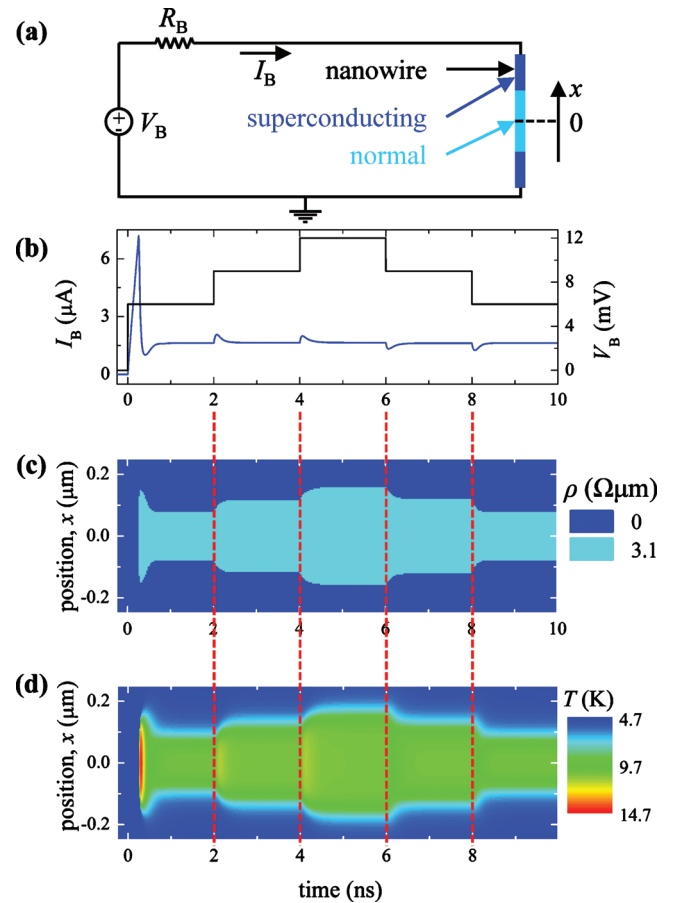


FIG. 2. (Color) (a) Schematics of the electrical circuit used to simulate the hotspot-plateau regime of a 30-nm-wide NbN nanowire. x was the distance from the center of the nanowire. The bias resistor was $R_B = 100 \Omega$. (b) Simulated time evolution of the current (I_B , blue curve) and bias voltage (V_B , black curve) in the circuit of (a). [(c) and (d)] Simulated time evolution of the resistivity (c) and temperature (d) profiles along the nanowire.

to reproduce a value of I_{HS} matching the hot-spot current measured on 30-nm-wide-nanowire SNSPDs ($I_{\text{HS}} = 1.6 \pm 0.1 \mu\text{A}$, extracted from the current-voltage curves measured on 20 devices). We note that we could not use the analytical expression of I_{HS} as a function of α reported in Ref. 14 to extrapolate A from the experimental value of I_{HS} . Indeed, the expression in Ref. 14 was derived under the assumption that given a superconducting nanowire with a stationary spatial temperature profile $T(x)$, a normal domain could exist only where $T(x) > T_C$. We argue that a stationary normal domain could exist under the more general condition; $I_C[T(x)] < I_{\text{HS}}$. Indeed, our simulations showed that the stationary normal domain of Fig. 2(c) was associated with a temperature profile [Fig. 2(d)] $T(x) < T_C$ everywhere.

To illustrate the capabilities of our model, we simulated the photoresponse of a 2-SNAP. We recorded the time evolution of the temperature and resistivity along the initiating and secondary sections of the device (Fig. 3). We also extracted the total resistance of each section and the current through the different parts of the circuit (Fig. 4).

To simulate a photon being absorbed in the initiating section (at time = 1 ps), a ξ -long slab is switched to the normal state [Figs. 3(a) and 3(b)]. The normal domain expands due to Joule heating, so the resistance in the initiating section increases [Fig. 4(a)] and the current through it starts redistributing to the secondary section [Fig. 4(b)]. When the cur-

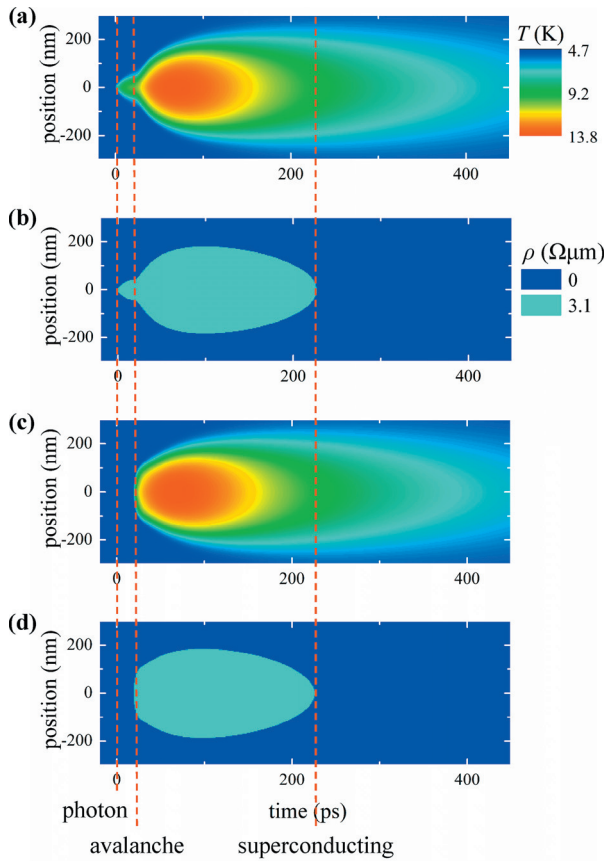


FIG. 3. (Color) Simulated time evolution of the temperature and resistivity along the initiating [(a) and (b)] and secondary [(c) and (d)] sections of a 2-SNAP biased at $I_B=0.73I_C$. The nanowire inductance was $L_0=13.5$ nH. The series inductance was $L_S=135$ nH.

rent through the secondary section becomes overcritical (at time=20 ps) both sections become current-dependent resistors connected in parallel, so their resistance and current fluctuate until they equilibrate, reaching the same value. At this point, the current through the device is redistributed to the read out (which converts it into a proportional voltage

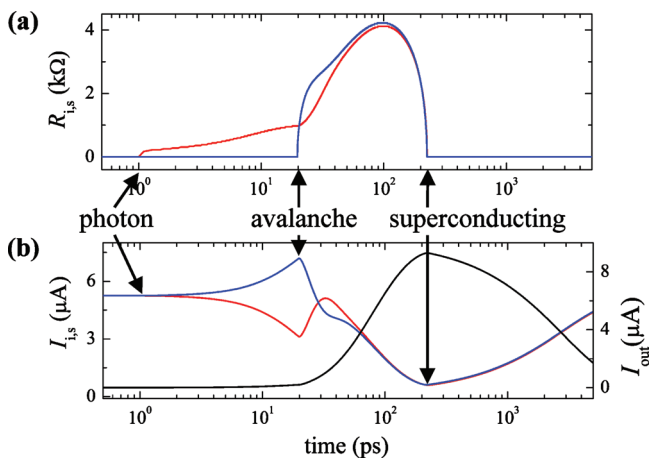


FIG. 4. (Color) (a) Simulated time evolution of the resistance of the initiating (R_i , I_i , in red) and secondary (R_s , I_s , in blue) sections of a 2-SNAP. (b) Simulated time evolution of the current through the initiating section (I_i , in red), the secondary section (I_s , in blue) and R_{load} (I_{out} , in black).

TABLE I. Experimental and simulated values of I_{AV}/I_{SW} , where I_{SW} (switching current) is the bias current at which the device switches from the superconducting to the normal state.

	2-SNAP	3-SNAP	4-SNAP
I_{AV}/I_{SW} (experiment)	0.68 ± 0.015	0.78 ± 0.02	0.84 ± 0.03
I_{AV}/I_{SW} (simulation)	0.67	0.78	0.82

signal), until the two sections switch back to the superconducting state [at time=227 ps, Fig. 4(b)].

Performing simulations at different values of the I_B , we could estimate the avalanche current of SNAPs with any number of parallel sections. The simulated values of I_{AV} for 2-, 3-, and 4-SNAPs were in close quantitative agreement with the experimental values (see Table I).²

The quality of the agreement between experiment and theory was perhaps surprising given the assumptions in the model (e.g., the fact that we combined the electron and phonon temperatures in the metal). This high-quality agreement may be partially coincidental, or may suggest that the relative dynamics between the electrons and the phonons does not play a significant role in the device operation.

In conclusion, we developed an electrothermal model of N -SNAPs. Our simulations predicted avalanche currents in agreement with the experimental values and clarified the operation mechanism of these devices.

This work was supported by the Center for Excitonics, under Award No. DE-SC0001088. This work was completed while Professor K. K. Berggren was supported by the Netherlands Organization for Scientific Research. The authors thank Dr. A. Annunziata, Dr. E. Driessen, Professor T. Kalpwijk, and Professor D. Prober for useful scientific discussions.

¹M. Ejrnaes, R. Cristiano, O. Quaranta, S. Pagano, A. Gaggero, F. Mattioli, R. Leoni, B. Voronov, and G. Gol'tsman, *Appl. Phys. Lett.* **91**, 262509 (2007).

²F. Marsili, F. Najafi, E. Dauler, X. Hu, M. Csete, R. Molnar, and K. Berggren, *Nano Lett.* (2011) (to be published).

³A study of the relation between the value of L_S and the device performance will be reported elsewhere.

⁴M. Ejrnaes, A. Casaburi, O. Quaranta, S. Marchetti, A. Gaggero, F. Mattioli, R. Leoni, S. Pagano, and R. Cristiano, *IEEE Trans. Appl. Supercond.* **19**, 323 (2009).

⁵J. K. W. Yang, A. J. Kerman, E. A. Dauler, V. Anant, K. M. Rosfjord, and K. K. Berggren, *IEEE Trans. Appl. Supercond.* **17**, 581 (2007).

⁶A. D. Semenov, G. N. Gol'tsman, and A. A. Korneev, *Physica C* **351**, 349 (2001).

⁷A. J. Annunziata, O. Quaranta, D. F. Santavicca, A. Casaburi, L. Frunzio, M. Ejrnaes, M. J. Rooks, R. Cristiano, S. Pagano, A. Frydman, and D. E. Prober, *J. Appl. Phys.* **108**, 084507 (2010).

⁸F. Marsili, D. Bitauld, A. Gaggero, S. Jahanmirinejad, R. Leoni, F. Mattioli, and A. Fiore, *New J. Phys.* **11**, 045022 (2009).

⁹M. Ejrnaes, A. Casaburi, F. Mattioli, R. Leoni, S. Pagano, and R. Cristiano, *Phys. Rev. B* **81**, 132503 (2010).

¹⁰A. D. Semenov, G. N. Gol'tsman, and R. Sobolewski, *Supercond. Sci. Technol.* **15**, R1 (2002).

¹¹See supplementary material at <http://dx.doi.org/10.1063/1.3560458> for the derivation of the bolometric heat equation and further discussion.

¹²J. Zhang, W. Stysz, A. Pearlman, A. Verevkin, R. Sobolewski, O. Okunev, G. Chulkova, and G. N. Gol'tsman, *Phys. Rev. B* **67**, 132508 (2003).

¹³M. Tinkham, *Introduction to Superconductivity* (McGraw Hill, New York, 1996), Chap. 11.

¹⁴W. J. Skocpol, M. R. Beasley, and M. Tinkham, *J. Appl. Phys.* **45**, 4054 (1974).