

A 28-W, -102.2-dB THD+N Class-D Amplifier Using a Hybrid $\Delta\Sigma$ -PWM Scheme

Karmakar, Shoubhik; Zhang, Huajun; van Veldhoven, Robert; Breems, Lucien J.; Berkhout, Marco; Fan, Qinwen; Makinwa, Kofi A.A.

DOI

[10.1109/JSSC.2020.3023874](https://doi.org/10.1109/JSSC.2020.3023874)

Publication date

2020

Document Version

Accepted author manuscript

Published in

IEEE Journal of Solid-State Circuits

Citation (APA)

Karmakar, S., Zhang, H., van Veldhoven, R., Breems, L. J., Berkhout, M., Fan, Q., & Makinwa, K. A. A. (2020). A 28-W, -102.2-dB THD+N Class-D Amplifier Using a Hybrid $\Delta\Sigma$ -PWM Scheme. *IEEE Journal of Solid-State Circuits*, 55(12), 3146-3156. Article 9207737. <https://doi.org/10.1109/JSSC.2020.3023874>

Important note

To cite this publication, please use the final published version (if applicable).
Please check the document version above.

Copyright

Other than for strictly personal use, it is not permitted to download, forward or distribute the text or part of it, without the consent of the author(s) and/or copyright holder(s), unless the work is under an open content license such as Creative Commons.

Takedown policy

Please contact us and provide details if you believe this document breaches copyrights.
We will remove access to the work immediately and investigate your claim.

A 28W, -102.2dB THD+N Class-D Amplifier using a Hybrid $\Delta\Sigma$ -PWM Scheme

Shoubhik Karmakar, *Student Member, IEEE*, Huajun Zhang, *Student Member, IEEE*, Robert van Veldhoven, *Senior Member, IEEE*, Lucien Breems, *Fellow, IEEE*, Marco Berkhout, *Member, IEEE*, Qinwen Fan, *Senior Member, IEEE*, and Kofi Makinwa, *Fellow, IEEE*

Abstract—This paper presents a 28W Class-D amplifier for automotive applications. The combination of a high switching frequency and a hybrid multi-bit $\Delta\Sigma$ -PWM scheme results in high linearity over a wide range of output power, as well as low AM-band EMI. As a result, only a small (150kHz cut-off frequency), and thus low-cost, LC filter is needed to meet the CISPR-25 EMI average limit (150kHz-30MHz) with 10dB margin. At 28W output power, the proposed amplifier achieves 91% efficiency while driving a 4 Ω load from a 14.4V supply. It attains a peak THD+N of 0.00077% (-102.2dB) for a 1kHz input signal.

Index Terms—Audio power amplifier, $\Delta\Sigma$, PWM, Hybrid, Class-D amplifier, EMI.

I. INTRODUCTION

The trend towards more and more audio channels in modern automobiles is driving the development of highly efficient audio amplifiers with small system size and a low bill-of-materials. Compared to their class-AB counterparts, class-D amplifiers are well suited for such applications due to their high power efficiency (~90%), which makes their thermal management lighter and cheaper.

Compared to class-AB amplifiers, one drawback of class-D amplifiers is the presence of high-frequency switching activity at their outputs. While this is not necessarily an issue in mobile devices [1], it can be quite detrimental in automotive applications. The long cables connecting such amplifiers to their power supplies and speakers can act as antennas for high-frequency switching signals, causing unacceptable levels of electro-magnetic interference (EMI). Consequently, automotive class-D amplifiers are subject to stringent EMI standards, the most common being CISPR-25 [2].

EMI is especially problematic when it falls in the AM band (535-1605kHz). In conventional class-D amplifiers, which are based on fixed-frequency pulse-width-modulation (PWM), the PWM carrier frequency (f_{PWM}) is generally set below 500kHz to avoid AM-band interference. However, bulky LC filters with low cut-off frequencies (f_{LC} between 20 - 40kHz) are then required to suppress the resulting PWM tones (harmonics of

f_{PWM}), leading to significant increases in system size and cost.

In a bid to achieve higher LC cut-off frequencies, while meeting the same EMI standards, and without altering f_{PWM} , additional measures are required. Examples of these are the use of multi-level or multi-phase PWM architectures [3]- [8]. The multi-phase architecture described in [3], reduces the ripple current in the speaker cables, and therefore lowers EMI. However, this is at the cost of two extra inductors per channel, significantly increasing system bulk and cost. Multi-level output stages [5], [6] can also reduce PWM tones by decreasing the voltage swing across the switching nodes. The 7-level output stage in [5] uses each half of a H-bridge output stage to realize 2 extra levels, thereby reducing PWM tone energy. However, it requires an extra power supply capable of sinking and sourcing large load currents, which significantly increases system size and cost. Similarly, [6] realizes one extra level per half H-bridge, at the cost of two external flying capacitors. In general, both multi-level and multi-phase architectures also require larger power stages, and hence, more die area to implement the additional low ohmic output switches.

A more cost-effective way to satisfy EMI requirements and relax LC cutoff frequency is to increase f_{PWM} beyond the AM band [9]. Since the unity gain frequency of a stable class-D amplifier must be less than f_{PWM}/π [10], increasing f_{PWM} enables higher loop gain in the audio band (20Hz – 20kHz), which, in turn, results in better suppression of output-stage non-linearity. However, increasing f_{PWM} means that the output stage will have to reproduce narrower pulses. Due to its finite slew-rate, however, sufficiently narrow pulses will not be able to swing from rail to rail, thus causing extra non-linearity.

To avoid the narrow pulses produced by conventional PWM, pulse-density-modulation (PDM), using a 1-bit delta-sigma modulator ($\Delta\Sigma$), can be used [11]. The minimum pulse width will then be defined by the modulator's sampling frequency (f_s), which can be optimized to prevent slew-rate distortion, while still being high enough to achieve high loop gain, and thus high linearity. However, a 1-bit $\Delta\Sigma$ will typically have a limited stable input range, and its out-of-band (OOB) quantization noise will cause EMI. Simply increasing f_s to reduce the OOB

Manuscript received XXXXX, 2020; revised XXXXX, 2020; accepted XXXXX, 2020. This paper was approved by Guest Editor XXXXXXXXXX (Corresponding author: Qinwen Fan).

S. Karmakar, H. Zhang, Q. Fan, and K. A. A. Makinwa are with the Electronic Instrumentation Laboratory, Microelectronics Dept., Faculty of EEMCS, Delft University of Technology, 2628CD, Delft, the Netherlands (e-mail: q.fan@tudelft.nl).

L. Breems and R. van Veldhoven are with NXP Semiconductors, 5656 AE Eindhoven, The Netherlands.

M. Berkhout is with Goodix Technologies, 6537 TL Nijmegen, The Netherlands.

Color versions of one or more of the figures in this paper are available online at <http://ieeexplore.ieee.org>.

Digital Object Identifier 10.1109/JSSC.20XX.XXXXXXX

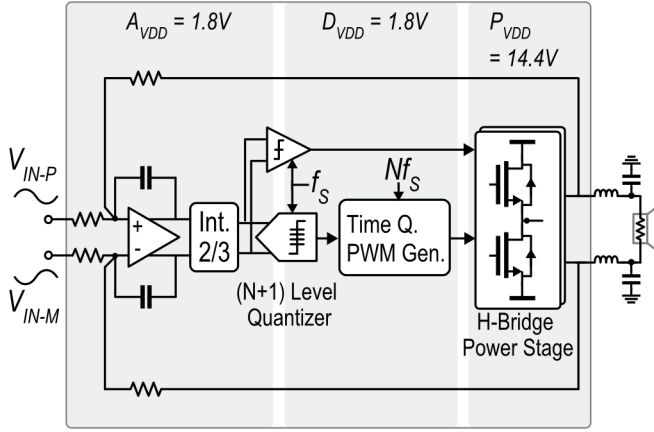


Fig. 1. Simplified block diagram of the fully differential CDA.

noise in the AM band will drastically increase the modulator's average switching frequency, and therefore, increase the amplifier's switching losses proportionally. In [11], adding hysteresis to the quantizer of a $\Delta\Sigma$ lowers the average switching frequency. However, it will still generate excessive AM-band EMI. Moreover, its loop filter must be dynamically switched from 7th order (for low in-band quantization noise) to 2nd order (to maintain large-signal stability), which complicates its design and degrades large-signal linearity.

This paper, an extension of [12], describes a class-D amplifier that employs a hybrid $\Delta\Sigma$ -PWM architecture to limit the minimum pulse width applied to the output stage, as well as the resulting AM-band EMI. An overview of the fully-differential, analog-input class-D amplifier is shown in Fig. 1. It consists of a 3rd order loop filter, followed by a multi-level quantizer, whose output is then applied to a pulse-width modulator that drives a 2-level output stage. A prototype achieves state-of-the-art linearity over a wide output power range, while meeting the CRISPR-25 standard with a relaxed LC filter, and no additional off-chip components.

The paper is organized as follows. Section II introduces the proposed architecture, and describes its benefits and challenges. Sections III and IV describe the implementation of the low and high voltage blocks, respectively, at the circuit level. Measurement results and comparisons are given in Section V and the conclusions are summarized in Section VI.

II. MODULATOR ARCHITECTURE

Compared to their 1-bit counterparts, multi-level $\Delta\Sigma$ s have several advantages, such as reduced OOB noise and a larger stable input range. However, as discussed in the introduction, multi-level output stages are expensive in terms of both silicon area and off-chip components.

In this work, a multi-level $\Delta\Sigma$ to PWM convertor drives an H-bridge in a bid to achieve the best of both worlds. An $(N+1)$ level quantizer converts the loop filter output into a multi-level digital output, which is then converted into a two-level signal by a PWM generator that outputs a series of 1s and 0s at a higher clock frequency $f_{CLK} = N \cdot f_s$ [13]. The case when $N = 4$ is illustrated in Fig. 2, where five different two-level PWM pulses

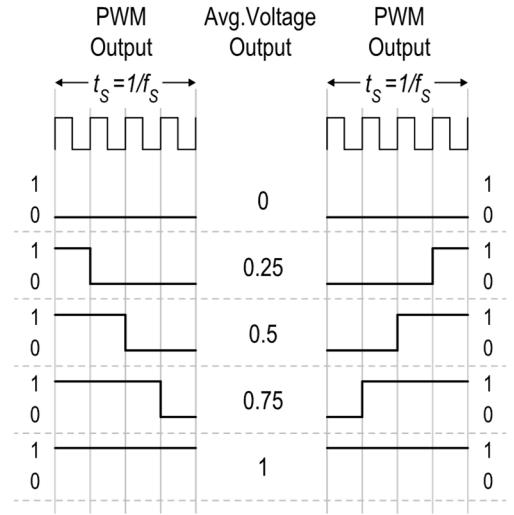


Fig. 2. Generation of time-quantized PWM pulses using a higher clock rate.

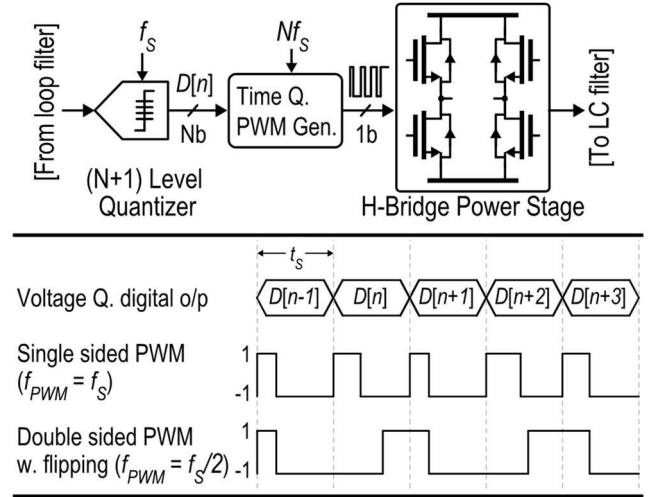


Fig. 3. Time-domain signal path from quantized digital outputs to normalized PWM signals.

with a period t_s , result in five different average values that can each be assigned to one level of a 5-level quantizer. The main considerations that inform the choice of N and f_s , are the LC filter cut-off frequency and its tolerance, the desired in-band SQNR, and the narrowest pulse width that the output stage can faithfully reproduce. Each of these considerations will be discussed in detail below.

A. Modulation Scheme and Sample-Rate- f_s

The signal path from the N -level quantizer to the high-voltage output stage is shown in Fig. 3, along with the normalized time-domain signals. Based on the quantizer's output, the PWM generator serially outputs the appropriate bits at f_{CLK} . As shown in Fig. 2, there are two ways of generating the same average value in one sample period. Consistently generating all the 1s (or 0s) first results in a single-sided (SS) uniformly-sampled PWM (UPWM) signal at a carrier frequency $f_{PWM} = f_s$ [14]. By alternately reversing the order of the bits, however, a double-sided (DS) signal can be generated, which halves f_{PWM} , together with the associated switching

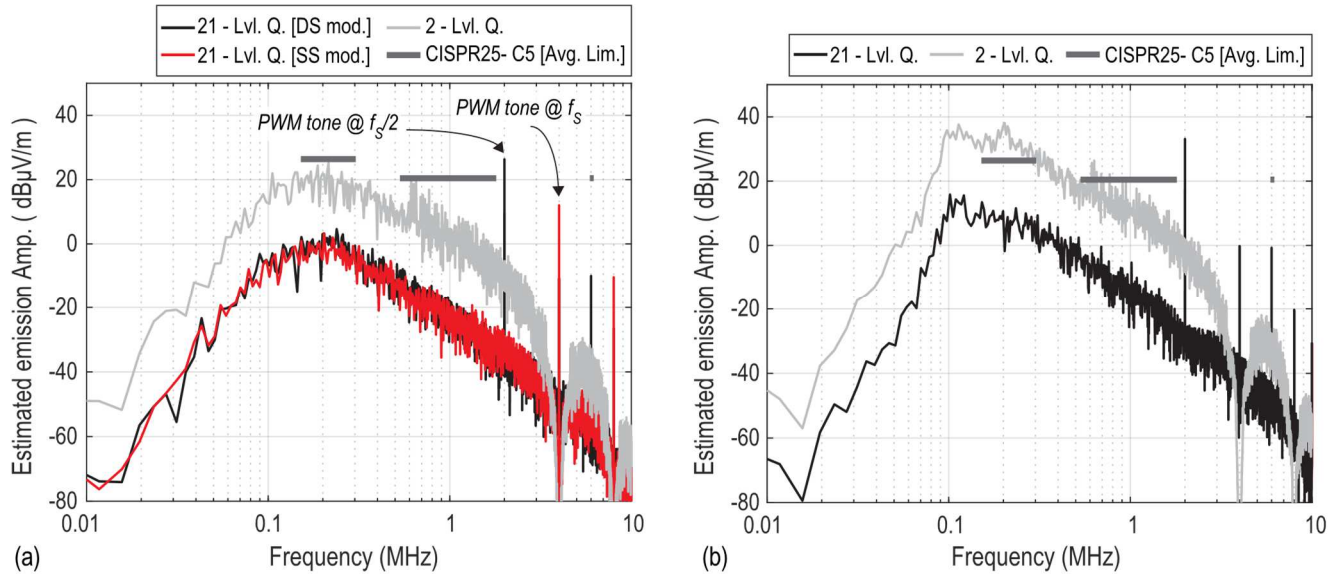


Fig. 4. Simulated estimates out-of-band emission: (a) Comparison of the various modulation schemes; (b) Effect of $\pm 15\%$ LC mismatch on both the 21-level (DS) hybrid modulation and the conventional 2-level $\Delta\Sigma$.

activity and switching losses. The resulting DS-UPWM signal, with the input sampled at twice the modulation frequency ($f_s = 2f_{PWM}$), is sometimes also referred to as asymmetric uniform-sampling [15]. In this design, to ensure some margin between the edge of the AM band and the PWM tone, while not incurring excessive switching losses, f_{PWM} is set to 2MHz, and so $f_s = 4$ MHz with DS modulation.

B. EMI, LC Filter Cut-off Frequency- f_{LC} and Tolerance

Since EM emissions are mainly caused by common-mode (CM) signals, the H-bridge is driven by AD modulated signals [16], [17]. The transitions of each half bridge are in anti-phase, which maintains a constant CM voltage at the output nodes. However, mismatch and timing skews in the two halves leads to some differential mode (DM)-to-CM leakage. Moreover, the use of non-twisted differential cables will cause extra DM-to-CM EMI leakage.

Fig. 4(a) shows the simulated EMI spectrum for different modulation schemes with a relaxed LC filter cut-off frequency ($f_{LC} = 100$ kHz). A conventional 2-level $\Delta\Sigma$ generates a PDM output with a large amount of OOB noise. By increasing the number of quantization levels and using the hybrid modulation technique, the OOB noise is reduced and converted into PWM tones. In this design, $f_{CLK} = 80$ MHz clock results in 21-levels, which significantly reduces the OOB noise and positions the PWM tone at 2MHz. Also, by using DS instead of SS modulation, the amplifier switches at half the frequency for the same OOB noise.

It is worth pointing out that while the 2-level $\Delta\Sigma$ appears to (just) satisfy the EMI requirements, this is not the case if LC filter tolerances (up to $\pm 15\%$) are considered. As shown in Fig. 4(b), this results in significantly more DM-to-CM EMI leakage. Under the same conditions, however, the 21-level hybrid modulator still satisfies the EMI requirements with an acceptable margin. Furthermore, f_{LC} can be made even higher, if tighter component tolerances can be guaranteed. While the

amplifier's power supply connections also produce EMI, local supply decoupling is enough to reduce this to negligible levels.

Compared to [3][10], the increased switching frequency means that high in-band loop gain can be achieved even with a 3rd order loop filter. As a result, the 21-level modulator achieves an in-band SQNR of ~ 122 dB and a maximum stable amplitude (MSA) to $\sim 97\%$ FS, which are both significantly larger than the 1-bit case. The end result is a thermal-noise limited design with a high dynamic range.

C. Pulse-Width Limitation and Quantizer Non-Uniformity

The multi-level voltage and time quantization described above uniformly distributes 21 bipolar steps (0.1FS each) across the full scale both in the voltage and time domain. The minimum pulse width (12.5ns) is then determined by $f_{CLK} = 20 \cdot f_s = 80$ MHz. In our design, however, the finite slew-rate of the HV output stage and the propagation delay of the driving logic, limits minimum pulse widths to about 16ns (typical), which worsens across PVT (Section IV). This can be accommodated by decreasing either N or f_s , at the expense of more OOB noise.

Since audio signals typically have a high crest-factor (7-25dB) [18], [19], they rarely reach FS levels. Therefore, a more pragmatic approach is to make the quantizer non-uniform at high input levels. This can be done by removing the quantization levels of $\pm[0.8;0.9]$ FS, as illustrated in Fig. 5, thus relaxing the minimum pulse width requirement by 3x to 37.5ns. Removing these levels reduces the total number of levels from 20 to 16. To keep the same average output values, the outputs of the two extreme comparators of the flash quantizer are therefore 0/1 padded (indicated in green), maintaining a throughput of 20-bits for the $20 \cdot f_s$ main clock. Although this trade-off lowers the linear modulation range slightly (to $\sim 93\%$), the increased OOB noise (due to the increased step size) is negligible for signals close to FS.

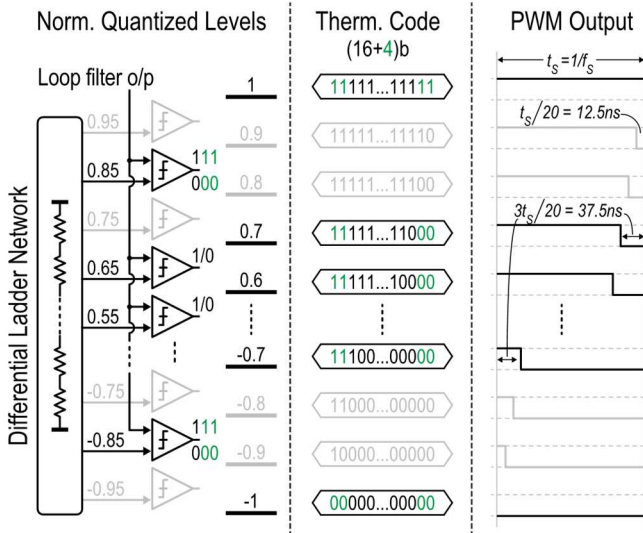


Fig. 5. Limiting the pulse-width at extremely high modulation index by making the quantizer non-uniform.

III. LOW-VOLTAGE CIRCUITS

The digital logic and analog circuits such as loop-filter integrators and quantizer are built using area and power efficient 1.8V devices. However, due to bond-wire inductance, the high switching currents in the output stage can cause substantial substrate bounce (in the order of several volts). To prevent unwanted substrate coupling, sensitive low-voltage blocks are placed in high-voltage N-wells biased at 5.5V. As shown in Fig. 6, deep P-wells within the N-wells serve as the local ground (A_{VSS}/D_{VSS}) for their respective supply domains.

A. 17-level Quantizer

As illustrated earlier [Fig. 5(b)], a flash ADC is well-suited for implementing the quantizer. Since it directly outputs a thermometer code that can simply be transmitted to the output stage, the loop delay is kept minimum. Although it is much more power hungry than e.g. a SAR ADC, its power contribution is negligible compared to that of the power-stage. Dual-difference comparators [20] were used to implement the quantizer. Non-linearity in the quantizer itself arises due to mismatch in the unit elements of the ladder and the individual offsets of the 16 comparators. Of these two, the ladder references have a 3σ spread of $\sim 400\mu\text{V}$, while the offset spread is within $\sim 40\text{mV}$. The gain of the quantizer is optimized to limit the swing of the loop filter output and ensure high linearity, while having a sufficiently large LSB step size ($V_{\text{LSB}} \sim 102\text{mV}$) to relax the offset requirements of the comparators. Extensive simulations confirm the absence of bubble errors over PVT. In the worst case, the loop gain preceding the quantizer is high enough to maintain an SQNR above 120dB.

To compare the performance of the hybrid architecture with that of a 1-bit $\Delta\Sigma\text{M}$ with the same loop filter, a 1-bit comparator was incorporated in parallel.

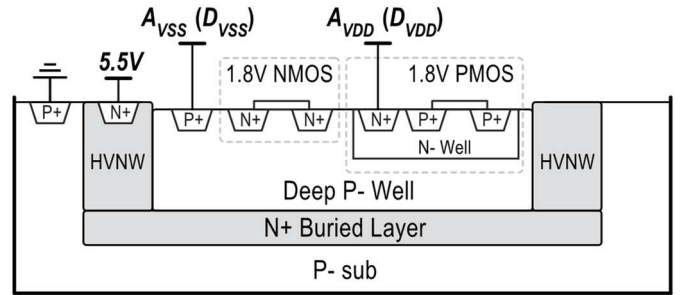


Fig. 6. Simplified cross-section of the HV N-well used for 1.8V device isolation.

B. Fully-Differential 3rd Order Loop-Filter

As shown in Fig. 7(a), the modulator employs a 3rd order filter. An NTF with optimally placed zeros and an out-of-band gain of 1.8 results in high MSA, low OOB quantization noise, and high loop-gain across the entire audio band [20].

The loop filter is realized as a cascade of highly linear active-RC integrators in a feedback (CIFB) configuration. Direct input feed-ins to the first two integrator's output suppress the audio band component at their outputs and significantly relaxes their linearity requirements. Due to their low voltage coefficients, p-poly resistors and high density MIM capacitors are used to realize the various RC time constants. The noise in the audio-band is primarily dominated by the 1st integrator, with the input resistors R_{IN} ($=20\text{k}\Omega$) accounting for $\sim 52\%$ of the total noise, while OTA_1 and the feedback resistors R_{FB} add another $\sim 43\%$. The input resistance is a compromise between noise considerations and the requirements on the driving capability of a preceding DAC. The feedback resistors set a closed loop gain of $8\times$ (18dB). To compensate for RC process spread, ($\sim 30\%$), the capacitors are made 2-bit trimmable, that are trimmed manually (once) by observing the OOB shaped noise content.

The OTAs (Fig. 7(b)) employ a 2-stage feedforward topology to provide the required gain. A capacitively-coupled input feedforward path to the second stage ensures sufficient phase margin and high GBW [21]. Together, the three integrators draw 1.8mA from the analog supply ($A_{\text{VDD}} = 1.8\text{V}$). After trimming, the filter's overall loop gain at 20kHz is $>76\text{dB}$ across PVT, as shown in Fig. 8.

It is worth mentioning that the high loop gain also suppresses the adverse effects of clock jitter, which manifests itself in the output pulses as duty cycle errors and degrades audio performance [22]. In this design, up to 1ns_{RMS} clock jitter ($f_{\text{CLK}} = 80\text{MHz}$) can be tolerated to maintain 120dB SQNR.

IV. OUTPUT POWER STAGE

The output power stage consists of a fully-differential H-bridge structure and is capable of driving a 4Ω BTL, along with associated driving circuits. Fig. 9 shows the circuit with half of it depicted in detail. The primary output switches are laterally diffused 20V N-MOS (N-LDMOS) transistors. The output power stage is responsible for $>95\%$ of the total quiescent power consumed in the chip.

Several factors contribute to the overall power dissipation in the output power stage [19], [23], the dominant ones include

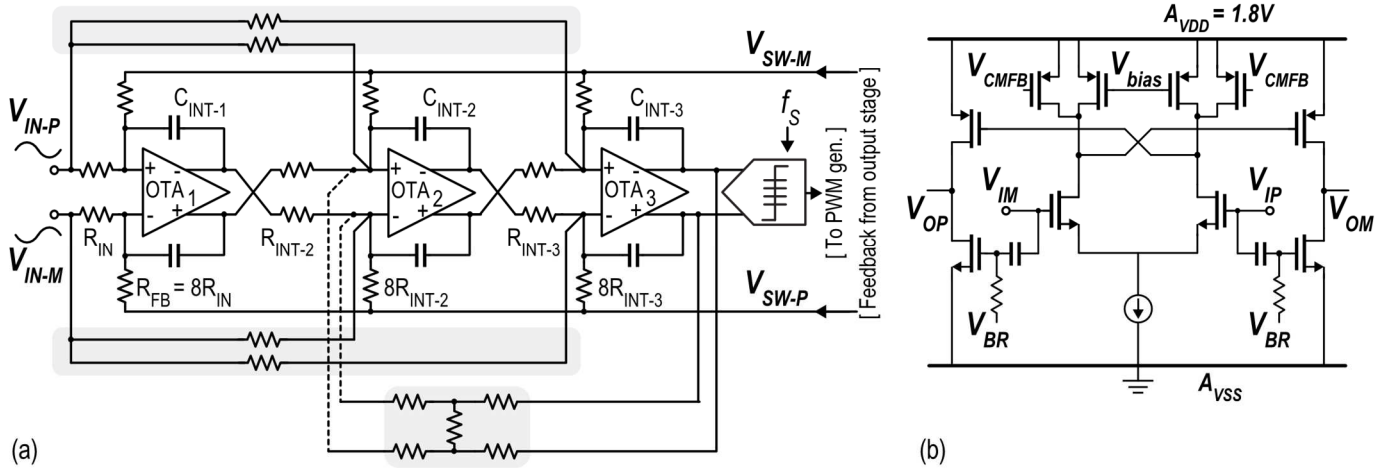


Fig. 7. (a) Simplified schematic of the fully differential loop filter; (b) Simplified schematic of the OTA.

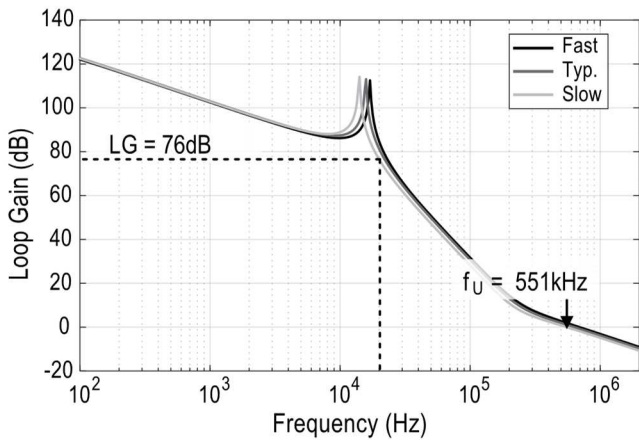


Fig. 8. Loop gain of the loop filter across process after trimming.

conduction loss due to the on resistance of the output transistors (R_{ON}) and switching loss due to charging/ discharging of gate capacitances (C_G). At high power levels, conduction loss dominates due to large signal current. Therefore, all output transistors ($M_{H/L}$) are sized for an R_{ON} of $\sim 100\text{m}\Omega$ at 100°C to obtain an efficiency $\sim 90\%$ close to FS. Meanwhile, the gate charge loss accounts for $\sim 18\%$ of the total losses. It is not worth increasing the output transistor size to further reduce R_{ON} , as this would result in a large die area and higher idle power consumption, which is dominated by switching loss.

While all the high-voltage LDMOS devices have a high $V_{DS,MAX}$ rating, the sensitive nature of their gate-oxides limits the maximum allowable V_{GS} to 5.5V . To ensure that the gate voltages will never exceed this limit, linear voltage regulators are used to generate a localized 4.8V supply to power all the circuits associated with driving the output switches [24]. This also provides sufficient de-coupling from supply and ground bouncing.

A. Linear Voltage Regulators

Since R_{ON} is relatively insensitive to V_{GS} variations, provided it has sufficient overdrive ($> \sim 3\text{V}$), a closed-loop regulation for the gate-driver supply [24] is not required. A more area/ power efficient solution, that avoids a HV error amplifier for every regulator, is to use an open-loop structure as

shown in Fig. 10(a). All the regulators share a common 1.2V reference in the low-voltage section to derive a local 4.8V reference using 1:1 current mirrors and scaled resistors ($R, 4R$). V_{4R} gets further reflected across an output decoupling capacitor (C_{Decoup}) of 12pF , by maintaining equal current densities across M_{1-3} , providing a regulated output voltage $V_{REG} = V_{4R}$. The push-pull source-follower architecture provides a low output impedance, which, together with a C_{Decoup} , result in a relatively clean V_{REG} by sinking/sourcing large transient currents during switching activities.

Fig. 10(b) shows the output waveforms of both the high/ low side regulators ($V_{REG-HS/LS}$) together with the V_{GS} of the high/low-side output switches and the switching node V_{SW} . The typical case and variations across PVT are represented in black and grey, respectively. V_{REGs} exhibit a transient fluctuation within 250mV across PVT, and thus guaranteeing safe operation of the output devices and associated circuits. Random mismatch in the resistors and current mirrors causes an additional variation of $\sim 180\text{mV}$ (3σ) in V_{REG} (Fig. 10(c)), which results in a negligible R_{ON} spread of $\sim 1\text{m}\Omega$.

The low-side regulators are powered directly from the high voltage rail (P_{VDD}), while the boot-strapped voltages (V_{BS-X}) are generated by using internal Schottky diodes (D_S) and off-chip capacitors (C_{BS}) to power the high-side regulators. All HV LDMOS devices are realized in large isolation N-wells to achieve their ratings, making them area inefficient for small aspect-ratio transistors. Hence, wherever appropriate ($V_{DS} < 5\text{V}$), low-voltage (5V) devices are used. These are clubbed together in a single floating HV N-well (indicated by the black dashed boxes in Fig. 10(a)), with the deep P-well acting as the local reference ground.

B. Level-Shifters and Gate Drivers

Level-shifters are used to transmit the signals from the digital domain ($D_{VDD} = 1.8\text{V}$) to their respective high-voltage domains. High immunity from supply and ground bouncing can be attained by using a 2-step approach similar to [24]. As shown in Fig. 11, complimentary digital signals, initially referred to a relatively clean D_{VSS} , are first up-shifted to P_{VDD} (V_{BS}), and then down-shifted to the output transistor's reference node P_{VSS} (V_{SW}). The fully-differential structure and large headroom between D_{VSS} and P_{VDD} (V_{BS}), and between P_{VDD} (V_{BS}) and P_{VSS}

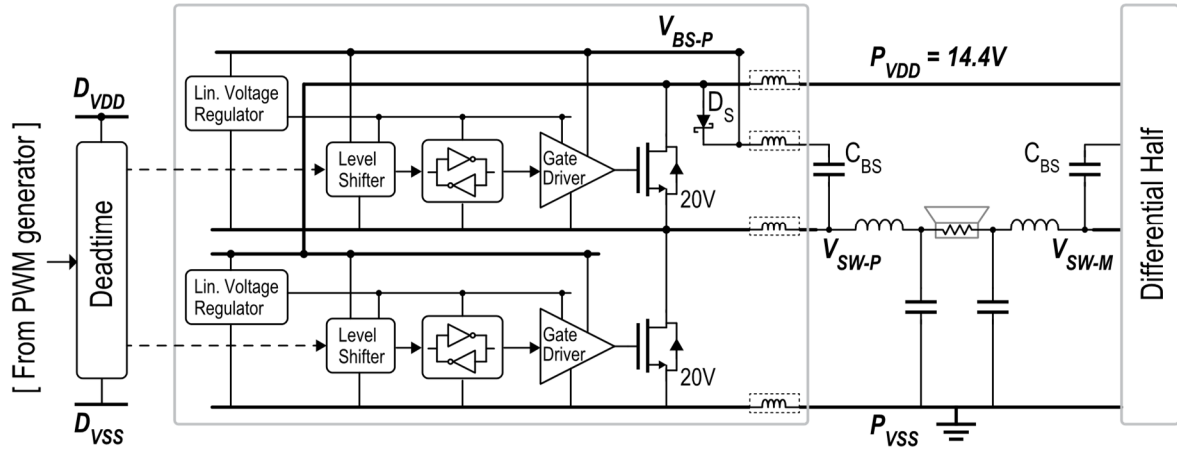
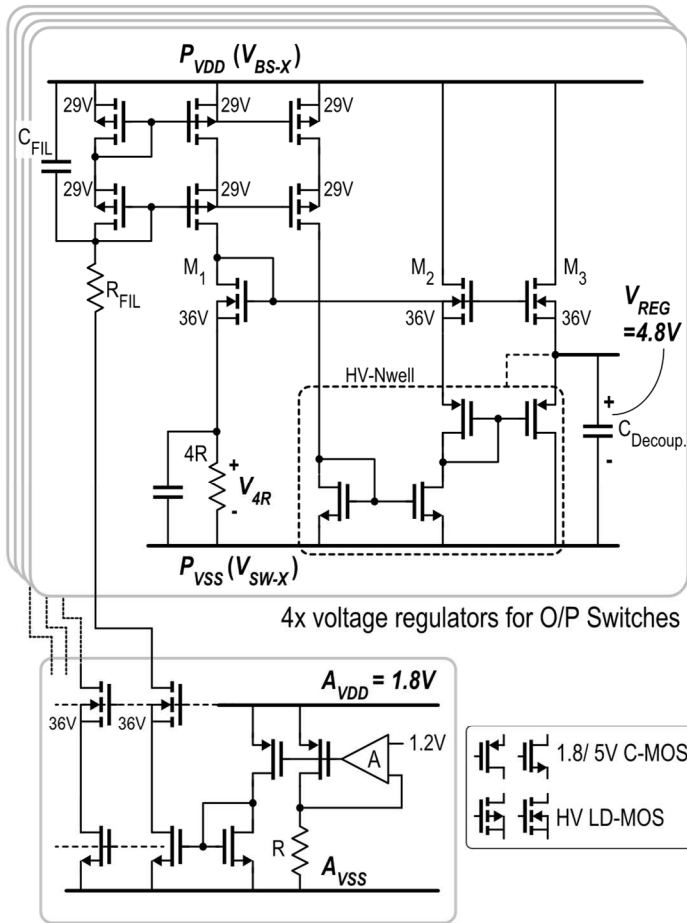
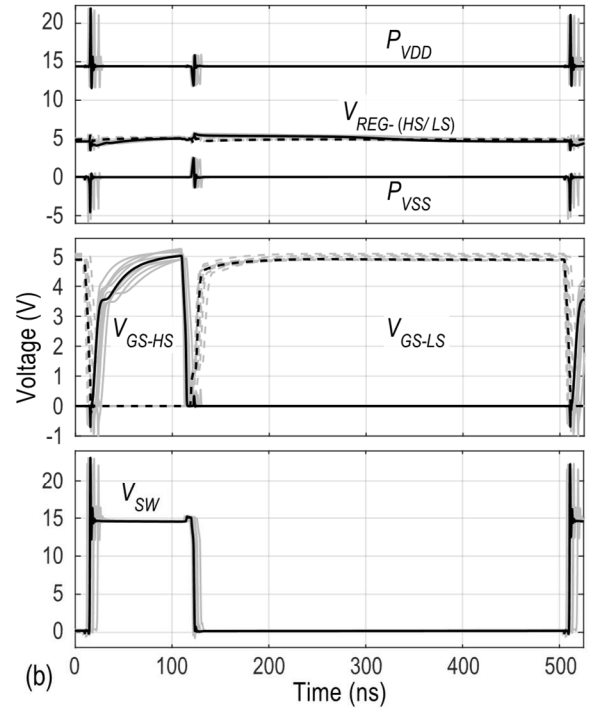


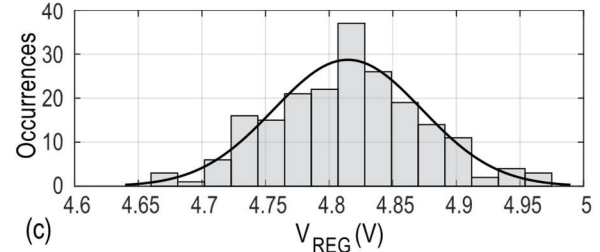
Fig. 9. Block diagram of the output power stage together with bonding wires.



(a) LV current reference gen./ distribution



(b)



(c)

Fig. 10. (a) Schematic of the linear voltage regulators for the gate-driving circuits; (b) Output waveforms of the regulated voltage, V_{GS} of the switches and the output switching node, across process and temperature; (c) Monte Carlo spread in V_{REG} due to component mismatch.

(V_{SW}) makes this signal transmission robust to high common-mode ringing and prevents output latch errors. A pulsed constant bias current, with a typical on duration of 15ns, enables the level-shifter shortly before a switching signal arrives at $D_{IN+/-}$, resulting in low average quiescent current (number).

Gate drivers, as shown in Fig. 12(a) are required to reliably charge/ discharge the gates of the output transistors. In general, the pull-down strength of a gate driver has to be sufficiently larger than the pull-up strength to avoid cross conduction [25]. However, simply using a strong pull-down would cause an excessive amount of ringing due to large di/dt in the parasitic

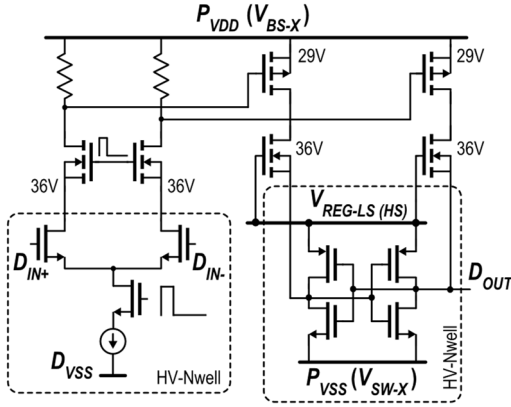


Fig. 11. Schematic of the 2-step level shifter.

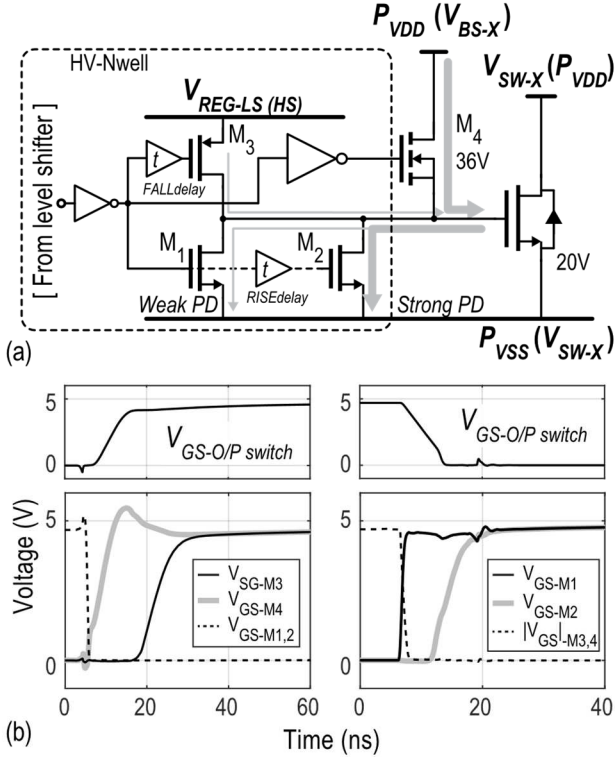


Fig. 12. (a) Schematic of the gate driver; (b) Associated gate driving signals and delays for turn-on/off phases.

inductances of the bonding wire. To avoid this situation, a weak pull-down (M_1) first discharges the gate, after which, the stronger pull-down (M_2) is activated. The associated gate-driving signals are illustrated in Fig 12(b). For charging the gate, a pull-up using a 36V N-LDMOS (M_4) is first activated to charge to gate up to roughly $V_{REG}-V_T$ directly from $P_{VDD} (V_{BS})$. A PMOS (M_3) is then turned on to supply the remaining charge from the regulator. This reduces the regulator loading, reducing the transients on its output voltage. A minimal dead-time of 7ns (with $\sim \pm 15\%$ variation across process and temperature) ensures no cross-conduction without causing a noticeable degradation in audio performance.

V. MEASUREMENT RESULTS

The prototype hybrid class-D amplifier is realized in a TSMC

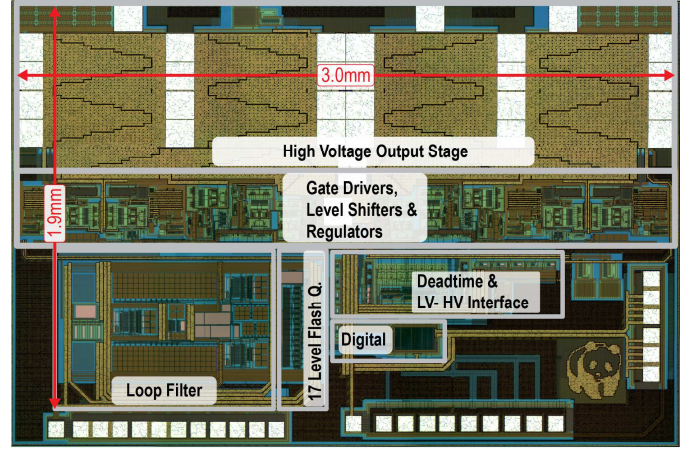


Fig. 13. Die Micrograph.

180nm BCD bulk process, as shown in Fig. 13. It occupies an active area of 4.8mm^2 , with the high-voltage switches in the output power stage taking up 40% of the area, while the loop filter, whose area is dominated by the integration capacitors, takes up another 27%. The amplifier can drive a 4Ω load, and is powered from 3 separate supplies: $A_{VDD} / D_{VDD} = 1.8\text{V}$, and $P_{VDD} = 14\text{V}$. The main external components are the supply decoupling capacitors ($2 \times 100\mu\text{F}$), and the LC filter with a cut-off frequency $f_{LC} = 100\text{kHz}$ ($L = 2.2\mu\text{H}$, $C = 1.15\mu\text{H}$). During idle-channel operation, the amplifier draws 17mA from P_{VDD} , which is primarily due to gate charging losses, and conduction losses due to the ripple current.

Audio measurements were done using an Audio Precision APX-555 in combination with an AES17 filter. Fig. 14 shows the measured performance when a 4Ω load is driven at 1W. A noise-limited THD+N of -94.0 and -94.2 dB is achieved at input frequencies of 1kHz and 6kHz, respectively. Across output power levels (Fig. 15), the amplifier achieves a peak THD+N of -102.2dB and -100.5dB, for input frequencies of 1kHz and 6kHz respectively, while maintaining a THD+N $< -80\text{dB}$ for output power levels as high as 20W. When a 1-bit quantizer is used, the $\Delta\Sigma$ modulator overloads at significantly lower power levels ($> 8\text{W}$). In the 17-level mode, the amplifier has an A-weighted output noise of $31\mu\text{V}_{RMS}$, and a dynamic-range of 110.6dB (A-wt.).

Fig. 16 shows the measured efficiency of the amplifier across output power levels. It attains a peak efficiency of 91% at its full power of 28W, and maintains an efficiency of $> 90\%$ beyond 20W.

EMI measurements were carried as per the CISPR-Class 5 standard [2] using a 12V battery supply and a 4Ω load connected to the amplifier using 1.5m long unshielded and untwisted cables. Fig. 17(a) shows the average radiated emission in the 150kHz- 30MHz frequency band for different modes and scenarios. In the absence of mismatch in off-chip LC components, both the multi-level and 2-level modes are able to satisfy the EMI limits. However, there's hardly any margin for the 2-level mode. To assess the effect of component tolerances and mismatch, additional series/ parallel combination of Ls and Cs were used to induce a $\pm 15\%$ mismatch over a nominal $f_{LC} =$

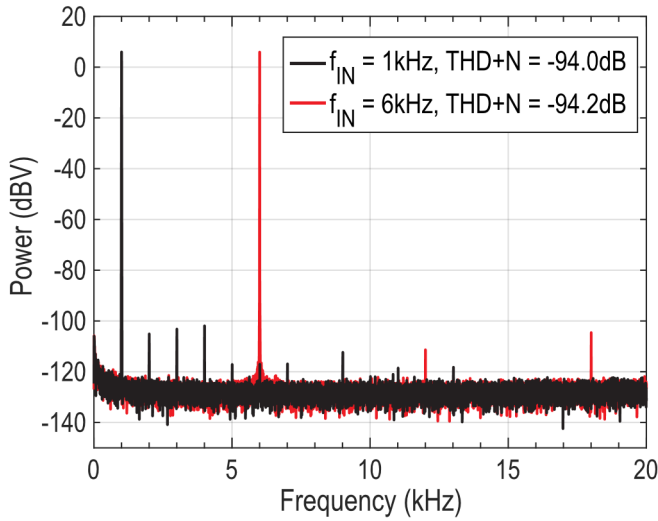


Fig. 14. FFT at 1W output power across a 4Ω load.

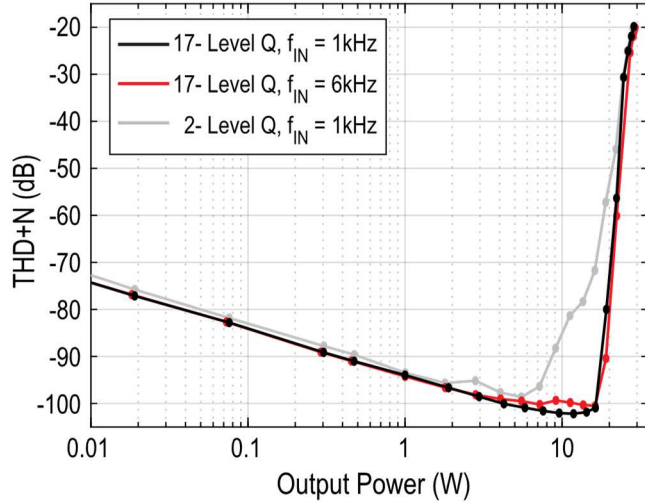


Fig. 15. THD+N across output power.

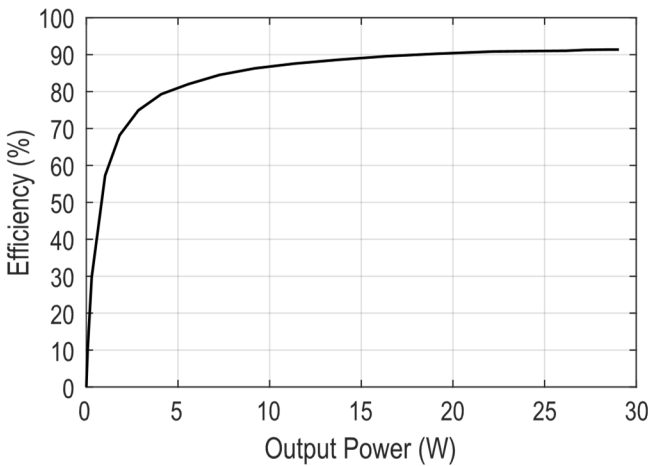
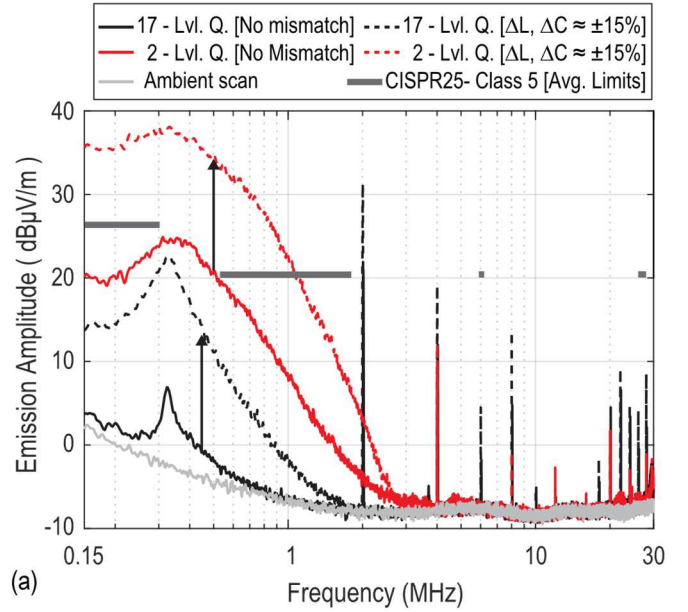
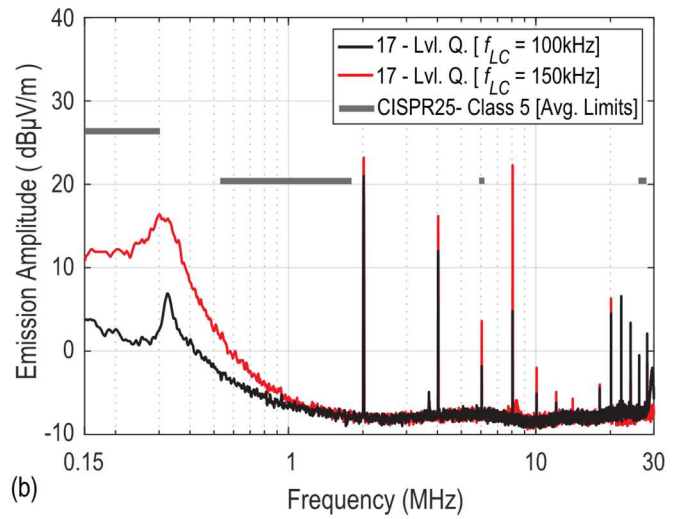


Fig. 16. Efficiency of the amplifier across output power.

100kHz. In this case, while the emission for the 2-level mode exceeds limits, the 17-level mode still maintains 6dB margin. In the case of tighter component tolerances, the cut-off frequency may be relaxed further as shown in Fig. 17(b), where an f_{LC} of 150kHz without mismatch still maintains 10dB of



(a)



(b)

Fig. 17. Measured EMI of the class-D amplifier: (a) w/ and w/o $\pm 15\%$ mismatch in L and C and a mean $f_{LC} = 100\text{kHz}$; (b) effect of further relaxing the LC cutoff frequency to $f_{LC} = 150\text{kHz}$ (w/o mismatch).

margin.

Fig. 18 shows the measured PSRR of the amplifier when its supply is perturbed by a $1V_{RMS}$ sine wave, swept across frequency. At low frequencies, the PSRR is 70dB and is mainly limited by the matching of the resistors. Towards the edge of the audio band, a PSRR $> 60\text{dB}$ is maintained.

A comparison of the performance of this amplifier with other state-of-the-art designs is shown in Table I.

VI. CONCLUSION

A class-D amplifier incorporating a hybrid $\Delta\Sigma$ -PWM modulation scheme is presented. Multi-level quantization using $\Delta\Sigma$, followed by time-quantized PWM generation drastically reduces the out-of-band EM emission compared to a 1-bit $\Delta\Sigma$ class-D amplifier, allowing the use of a relaxed LC cut-off frequency with relaxed component tolerances. A high loop gain, enabled due to the high sample-rate, together with a robust

TABLE I
PERFORMANCE SUMMARY AND COMPARISON WITH PREVIOUS WORKS

Parameter	This work	[3]	[5]	[6]	[9]	[11]	[26]
Modulation Scheme	Hybrid $\Delta\Sigma$ -PWM (Analog In.)	PWM [MP] (Digital In.)	PWM [ML] (Analog In.)	PWM [ML] (Analog In.)	PWM (Digital In.)	$\Delta\Sigma$ (Analog In.)	PWM (Digital In.)
Supply	14.4V	25V	2.5-5V	24V	14.4V	12V	8-20V
Load	4 Ω	4 Ω	8 Ω	4 Ω	4 Ω	6 Ω	8 Ω
THD+N ($f_{IN} = 1\text{kHz}$, $P_O = 1\text{W}$)	0.002%	0.004%	~0.0025%	~0.0095%	0.02%	~0.0032%	0.0029%
Peak THD+N ($f_{IN} = 1\text{kHz}$)	0.00078%	~0.0037%	0.0023%	0.003%	~0.015%	~0.0032%	0.0013%
Output Noise (A wt.)	31 μV_{rms}	34 μV_{rms}	-	-	42 μV_{rms}	50 μV_{rms}	20.5 μV_{rms}
$P_{O-\text{MAX}}$ (10% THD)	28W	80W	10W	70W	27W	10W	20 W
Efficiency	91%	>90%	91%	90%	86%	88%	90%
Switching Freq.	2.0MHz	0.4MHz	0.7MHz	0.165-0.6MHz	2.1MHz	< 0.7MHz	0.4MHz
Comp. Count [L, C] /Values	2L, 2C 2.2 μH , 1.1 μF	4L, 2C -	- -	- -	2L, 2C 3.3 μH , 1 μF	2L, 2C 15 μH , 1 μF	2L, 2C -
LC filter cutoff	100kHz	~40kHz	-	-	88kHz	41kHz	-
Quiescent Current	17mA	12mA	3.5mA	2.9mA	~40mA	-	20.52mA
PSRR (20-20kHz)	70-62dB	~100-60dB (88dB@100Hz)	~88dB (@217Hz)	-	~75-57dB	~68-39dB	80-50dB
Area/ Channel	4.8mm ²	-	6.4mm ²	6.7mm ²	-	10.1mm ²	-
Process	180nm BCD	140nm BCD SOI	180nm BCD	180nm BCD	-	600nm BCD	180nm BCD

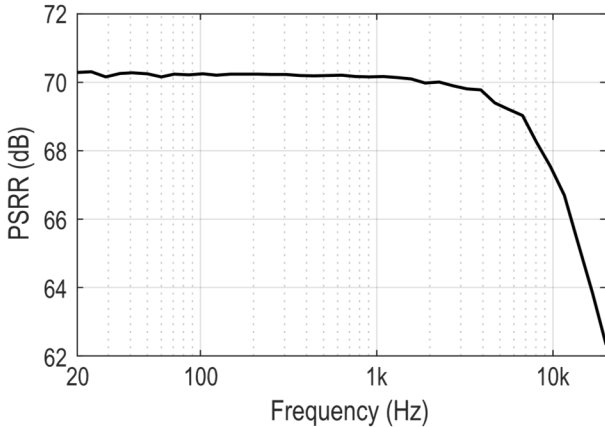


Fig. 18. PSRR of the amplifier across supply perturbation frequency.

output stage that delivers well defined quantized pulses, ensures high linearity of the amplifier across a wide output power range. Overall, the class-D amplifier achieves state-of-the-art performance with a peak THD+N of -102.2dB and a peak efficiency greater than 90%. In addition to [12], it is shown that the LC cut-off frequency can be pushed as high as 150kHz to satisfy the CISPR-25 average EMI limit [150kHz-30MHz], while still maintaining some margin.

ACKNOWLEDGEMENT

The authors would like to thank Z. Chang, L. Pakula and R. van Puffelen from Delft University of Technology, Delft, The Netherlands, and Q. Sandifort from NXP, Nijmegen, The Netherlands, for their help and assistance with PCB assembly, testing and measurements.

REFERENCES

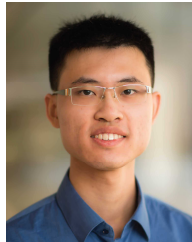
- [1] M. Berkhout and L. Dooper, "Class-D Audio Amplifiers in Mobile Applications," *IEEE Trans. Circuits and Systems I: Regular Papers*, vol. 57, no. 5, pp. 992-1002, May 2010.
- [2] CISPR 25:2016; fourth edition (or EN 55025:2017);, "Vehicles; boats and internal combustion engines - Radio disturbance characteristics-Limits and methods of measurement for the protection of on-board receivers," Oct. 27, 2016.
- [3] D. Schinkel, et al., "A Multiphase Class-D Automotive Audio Amplifier with Integrated Low-Latency ADCs for Digitized Feedback After the Output Filter," *IEEE J. Solid-State Circuits*, vol. 52, no. 12, p. 3181-3193, Dec. 2017.
- [4] K. Nielsen, "Parallel phase-shifted carrier pulse-width modulation (PSPWM)—A novel approach to switching power amplifier design," *Proc. 102nd AES Conv.*, no. 4447, Mar. 1997.
- [5] J. Le, et al., "An 8 Ω 10W 91%-Power-Efficiency 0.0023%-THD+N Multi-Level Class-D Audio Amplifier with Folded PWM," *ISSCC Dig. Tech. Papers*, pp. 88-89, Feb. 2017.
- [6] M. Høyerby, J. K. Jakobsen, J. Midtgaard and T. H. Hansen, "A 2 \times 70 W Monolithic Five-Level Class-D Audio Power Amplifier in 180 nm BCD," *IEEE J. of Solid-State Circuits*, vol. 51, no. 12, pp. 2819-2829, Dec. 2016.

- [7] P. P. Siniscalchi and R. K. Hester, "A 20 W/Channel Class-D Amplifier with Near-Zero Common-Mode Radiated Emissions," *IEEE J. Solid-State Circuits*, vol. 44, no. 12, pp. 3264-3271, Dec. 2009.
- [8] C. Cerutti, "Multilevel class-D amplifier". U.S. Patent 8,558,617 B2, Oct. 15, 2013.
- [9] Texas Instruments, "TAS6424-Q1 Datasheet," Oct. 2017. [Online]. Available: <http://www.ti.com/lit/ds/symlink/tas6424-q1.pdf>.
- [10] M. Berkhout, "An Integrated 200-W Class-D Audio Amplifier," *IEEE J. Solid-State Circuits*, vol. 38, no. 7, pp. 1198-1206, July 2003.
- [11] E. Gaalaas, B. Y. Liu, N. Nishimura, R. Adams and K. Sweetland, "Integrated Stereo $\Delta\Sigma$ Class D Amplifier," *IEEE J. Solid-State Circuits*, vol. 40, no. 12, Dec. 2005.
- [12] S. Karmakar, et. al., "A 28W -108.9dB/-102.2dB THD/THD+N Hybrid $\Delta\Sigma$ -PWM Class-D Audio Amplifier with 91% Peak Efficiency and Reduced EMI Emission," *IEEE ISSCC Dig. Tech. Papers*, pp. 350-352, Feb. 2020.
- [13] A. Kalb, "Apparatus and method for converting analog signal to pulse-width-modulated signal". U.S. Patent 6,970,503 B1, Nov. 05, 2005.
- [14] K. Nielsen, "A review and comparison of pulse width modulation (PWM) methods for analog and digital input switching power amplifiers," in *102nd Conv. AES*, Munich, Germany, 1997.
- [15] G. Franzo, M. Mazzucchelli, L. Puglisi and G. Sciuotto, "Analysis of PWM Techniques Using Uniform Sampling in Variable-Speed Electrical Drives with Large Speed Range," *IEEE Transactions on Industry Applications*, vol. IA21, no. 4, pp. 966-974, July 1985.
- [16] J. D. Martin, "Theoretical efficiencies of class-D power amplifiers," *Proceedings of the Institution of Electrical Engineers*, vol. 117, no. 6, pp. 1089-1090, June 1970.
- [17] T. Karaca and B. Deutschmann, "Electromagnetic evaluation of Class-D switching schemes," *2015 11th Conference on Ph.D. Research in Microelectronics and Electronics (PRIME)*, Glasgow, pp. 113-116, 2015.
- [18] R. van der Zee and A. J. M. van Tuijl, "Test signals for measuring the efficiency of audio amplifiers," *Proc. 104th Convention of the Audio Eng. Soc., Amsterdam*, May 1998.
- [19] N. E. Iversen, A. Knott and M. A. E. Andersen, "Efficiency of Switch Mode Power Audio Amplifiers - Test Signals and Measurement Techniques," *140th Audio Engineering Society convention, Paris*, June 2016.
- [20] R. Schreier and G. C. Temes, *Understanding Delta-Sigma Data Converters*, Piscataway, NJ, USA: Wiley, 2005.
- [21] C. Ho, C. Liu, C. Lo, H. Tsai, T. Wang and Y. Lin, "A 4.5 mW CT Self-Coupled $\Delta\Sigma$ Modulator With 2.2 MHz BW and 90.4 dB SNDR Using Residual ELD Compensation," *IEEE J. Solid-State Circuits*, vol. 50, no. 12, pp. 2870-2879, Dec. 2015.
- [22] M. Berkhout, "Clock jitter in class-D audio power amplifiers," *ESSCIRC 2007 - 33rd European Solid-State Circuits Conference*, pp. 444-447, Munich, 2007.
- [23] H. Ma, R. van der Zee and B. Nauta, "A High-Voltage Class-D Power Amplifier with Switching Frequency Regulation for Improved High Efficiency Output Power Range," *IEEE J. Solid-State Circuits*, vol. 50, pp. 1451-1462, June 2015.
- [24] H. Ma, R. van der Zee and B. Nauta, "Design and Analysis of a High-Efficiency High-Voltage Class-D Power Output Stage," *IEEE J. Solid-State Circuits*, vol. 49, pp. 1514-1524, July 2014.
- [25] M. Berkhout, "A class D output stage with zero dead time," *IEEE ISSCC Dig. Tech. Papers*, pp. 134-135, 2003.
- [26] E. Cope, et al., "A 2x20W 0.0013% THD+N Class-D Audio Amplifier with Consistent Performance up to Maximum Power Level," *IEEE ISSCC Dig. Tech. Papers*, pp. 56-57, Feb. 2018.



Shoubhik Karmakar (S'18) received the B.E. degree in electrical and electronics engineering from Birla Institute of Technology and Science, Goa, India, in 2012; and the M.Sc. degree from the Delft University of Technology, Delft, The Netherlands, in 2017, where he is currently pursuing the Ph.D. degree.

His current research interests include energy-efficient data converters and high performance class-D amplifiers for audio applications.



Huajun Zhang obtained the B.E. degree in Electrical and Computer Engineering from Shanghai Jiao Tong University in 2015 and the B.S.E. and M.S. degrees in Electrical Engineering from the University of Michigan, Ann Arbor in 2015 and 2017, respectively. In the summer of 2016, he was an analog/mixed-signal design intern at Analog Devices, Inc., Wilmington, MA, USA. From May 2017 to February 2019, he was a Mixed-Signal Design Engineer with Analog Devices, Inc., Norwood, MA, USA. Mr. Zhang joined the Electronic Instrumentation

Laboratory at Delft University of Technology in March 2019, where he is pursuing the Ph.D. degree. His technical interests include precision analog circuits, Class-D audio amplifiers, and ultra-low-power data converters for sensor interfaces. He has served a reviewer for IEEE Transactions on Circuits and Systems I: Regular Papers and IEEE Sensors Journal, and holds 1 US patent.



Robert van Veldhoven (SM'12) was born in Eindhoven, The Netherlands, in 1972. He received a Ph.D. degree in electrical engineering from the University of Eindhoven. In 1996, he joined Philips Research, and moved to NXP Semiconductors in 2006, where he is currently data converter Fellow and architect leading a team of 15 engineers working on automotive grade data converters and sensor interfaces. He holds over 25 US patents and (co-) authored more than 15 ISSCC/JSSC articles.



Lucien J. Breems received the M.Sc. degree (cum laude) and the Ph.D. degree in Electrical Engineering from the Delft University of Technology, The Netherlands, in 1996 and 2001 respectively. From 2000 to 2006 he was with Philips Research and in 2007 he joined NXP Semiconductors. Since 2011 he is a part-time professor at the Technical University of Eindhoven.

Prof. Breems is an IEEE fellow and is/ has been a member of the technical program committees of the International Solid-State Circuits Conference (ISSCC), European Solid-State Circuits Conference (ESSCIRC), the Symposium on VLSI Circuits and the IEEE International Symposium on Low Power Electronics and Design (ISLPED). From 2009 to 2015 he has served as Associate Editor and in 2020 as Guest Editor of the IEEE Journal of Solid-State Circuits and he has been Guest Editor of the IEEE Transactions on Circuits and Systems-II (2008-2009). He received the ISSCC "Jan van Vesselom Outstanding European Paper Award" in 2001, 2011, 2016, the RFIC Symposium Industry Best Paper award in 2016, and the IEEE Journal of Solid-State Circuits best paper award in 2011, 2016. He has been IEEE Distinguished Lecturer in 2012-2013.



Marco Berkhout (M'09) received the M.Sc. degree in electrical engineering in 1992 and the Ph.D. degree in 1996 both from the University of Twente in Enschede, The Netherlands. From 1996 to 2019 he was with Philips/NXP Semiconductors, Nijmegen, The Netherlands. Currently he is a Fellow with Goodix Technology Nijmegen, The Netherlands. His main interests are class-D amplifiers and integrated power electronics. He received the 2002 ESSCIRC Best Paper Award and was plenary invited speaker on

audio at low and high power at the 2008 ESSCIRC conference. He has been a member of the technical program committees of ESSCIRC, 2008-2018 and ISSCC, 2013-2016, 2021.



Qinwen Fan received the B.Sc. degree in electronic science and technology from Nankai University in China in 2006 and the M.Sc. degree (cum laude) in microelectronics from Delft University of Technology, The Netherlands in 2008. She further continued as a PhD candidate in the same university and has received the degree in 2013. From August 2007 to August 2008, she was an intern at NXP Research Laboratories, Eindhoven, The Netherlands, where she designed a precision instrumentation amplifier for bio-medical purposes. From October

2012 to May 2015, she worked at Maxim Integrated Products in Delft, The Netherlands. From June 2015 to January 2017, she worked at Mellanox in Delft, the Netherlands. Since 2017, she rejoined the Delft University of Technology and is currently an Assistant Professor in the electronics and instrumentation laboratory.

Her current research interests include precision analog, class D audio amplifiers, DC-DC converters for energy harvesters and current-sensing amplifiers.

Dr. Fan serves as a reviewer of the IEEE journal of solid-state circuits and a TPC member of European solid-state circuits conference.



Kofi A. A. Makinwa (M'97–SM'05–F'11) received the B.Sc. and M.Sc. degrees from Obafemi Awolowo University, Ife, Nigeria, in 1985 and 1988, respectively, the M.E.E. degree from Philips International Institute, Eindhoven, The Netherlands, in 1989, and the Ph.D. degree from the Delft University of Technology, Delft, The Netherlands, in 2004.

From 1989 to 1999, he was a Research Scientist with Philips Research Laboratories, Eindhoven, where he worked on interactive displays and digital recording systems. In 1999, he joined Delft University of Technology, where he is currently an Antoni van Leeuwenhoek Professor and the Head of the Microelectronics Department. His research interests include the design of mixed-signal circuits, sensor interfaces, and smart sensors. This has resulted in 16 books, over 250 technical articles and over 30 patents.

Dr. Makinwa is a member of the Royal Netherlands Academy of Arts and Sciences and the Editorial Board of the Proceedings of the IEEE. He is a co-recipient of 15 best paper awards, including two from the IEEE Journal of Solid-State Circuits (JSSC) and three from the International Solid-State Circuits Conference (ISSCC). At the 60th anniversary of ISSCC, he was recognized as a Top-Ten Contributor. Dr. Makinwa has been on the program committees of several IEEE conferences, and has served the IEEE Solid-State Circuits Society as a Distinguished Lecturer and as an Elected member of its AdCom. He has also served as a Guest Editor of the JSSC. He is currently the Analog Subcommittee Chair of the ISSCC and a co-organizer of the Advances in Analog Circuit Design (AACD) Workshop and the Sensor Interfaces Meeting.