



Master Thesis - Appendix

APPENDIX

*"A locally producible plastic plate press
for bottom-up recycling in low-resource settings"*

A design assignment commissioned by
The MMID Foundation

Graduate student
Mark Bachrach

Delft, Juli 2018

Delft University of Technology
Faculty of Industrial Design Engineering
Master Integrated Product design

Disclaimer

The master thesis to which this document provides the appendices is written in context of the master Integrated Product Design at the faculty of Industrial Design Engineering at the Delft University of Technology in The Netherlands.

May, 2018

Graduate student

M.B. Bachrach
Industrial design engineering
Domselaerstraat 51H
1093JP Amsterdam
m.bachrach@gmail.com

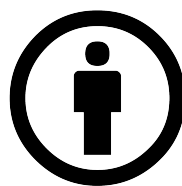
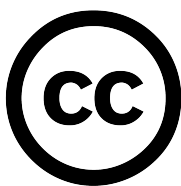
Supervisory team

Chair: Dr. ir. Diehl, J.C.
Mentor: Ir. H. Kuipers
Mentor MMID Foundation: Ir. Scott Hoekstra

Company

MMID Foundation
Westvest 145
2611AZ Delft
T: +31 (0)15 2136736
E-mail: contact@mmidfoundation.org

If you used this work, attribute the MMID Foundation by linking to
<http://www.mmidfoundation.org/>



This work is licensed under a Creative Commons Attribution 4.0
International License, except where otherwise noted.
<https://creativecommons.org/licenses/by/4.0/>



CONTENTS

A.1. EXISTING PLATE PRESSES	6
A.1.1. PRESSES THAT CAN BE BOUGHT NOW	6
A.1.2. OPEN SOURCE/DIY SOLUTIONS	8
A.1.3. OTHER MANUFACTURING METHODS	9
A.2. ANALYSIS TOPICS	10
A.3. EXPERT MEETING EXCERPTS	11
A.3.1. THE BETTER FUTURE FACTORY	11
A.3.2. FABRICA DE SABÃO	11
A.3.3. PRECIOUS PLASTIC	12
A.3.4. FLIPFLOPI	13
A.3.5. WASTE BOARDS	13
A.3.6. STICHTING STUNT	13
A.4. COMMODITY PLASTICS PROPERTIES OVERVIEW	14
A.5. SURVEY	15
A.6. SURVEY RESULTS	21
A.7. EXPERIMENTATION DOCUMENTATION	24
A.7.1. TESTS 1.1 - 2	24
A.7.2. TESTS 3 - 4.4	25
A.7.3. TESTS 5.1 - 6.2	27
A.7.4. TESTS 7 - 9.2	29
A.8. CREATIVE SESSION - IDEATION	31
A.9. PROOF OF CONCEPTS TEST DOCUMENTATION	32
A.10. PROCESS TREE	34
A.11. FUNCTION ANALYSIS	36
A.12. PRESSING FORCE CALCULATION	38
A.13. MOULD PROTOTYPE 1, ASSEMBLY DRAWING	39
A.14. BOTTLE JACKS	40
A.15. SLIDING OR SETTING CALCULATION	41
A.16. PRESS PROTOTYPE ASSEMBLY DRAWING	42

A.17. PROTOTYPE MATERIALS LIST	44
A.18. PRODUCTION TOOL LIST	46
A.19. COST ESTIMATION BASED ON PROTOTYPE	47
A.20. SERIES PRODUCTION PROCESS SCENARIO	49
A.21. TECHNICAL DRAWING SET: MOULD	52
A.21.1. MOULDS ASSEMBLY	52
A.21.2. MOULDS-TUB ASSEMBLY	54
A.21.3. MOULDS-TUB BASE-PLATE	56
A.21.4. MOULDS-TUB FRAME-LONGSIDE WELD ASSEMBLY	58
A.21.5. MOULD-TUB-FRAME GRIP-LONGSIDE	60
A.21.6. MOULD-TUB-FRAME WALL-LONGSIDE	61
A.21.7. MOULD-TUB-FRAME CUT-OFF-EDGE-LONGSIDE	62
A.21.8. MOULD-TUB-FRAME BASE-BAR-LONGSIDE	63
A.21.9. MOULDS-TUB FRAME-SHORTSIDE WELD ASSEMBLY	64
A.21.10. MOULD-TUB-FRAME GRIP-SHORTSIDE	66
A.21.11. MOULD-TUB-FRAME WALL-SHORTSIDE	67
A.21.12. MOULD-TUB-FRAME CUT-OFF-EDGE-SHORTSIDE	68
A.21.13. MOULD-TUB-FRAME BASE-BAR-SHORTSIDE	69
A.21.14. MOULD-LID WELD ASSEMBLY	70
A.21.15. MOULD-LID-FLANGE-LONGSIDE	72
A.21.16. MOULD-LID-FLANGE-SHORTSIDE	73
A.21.17. MOULD-LID-WALL-LONGSIDE	74
A.21.18. MOULD-LID-WALL-SHORTSIDE	75
A.21.19. MOULD-LID BASE-PLATE	76
A.22. TECHNICAL DRAWING SET: PLATE PRESS	78
A.22.1. PLASTIC-PLATE-PRESS-ASSEMBLY	78
A.22.2. PRESS FRAME ASSEMBLY	80
A.22.3. PRESS FRAME WELD-ASSEMBLY	82
A.22.4. PRESS BOTTOM-PRESS-BED ASSEMBLY	84
A.22.5. PRESS BOTTOM-PRESS-BED LEGS WELD-ASSEMBLY	86
A.22.6. PRESS BOTTOM-PRESS-BED FLATBED-SIDE WELD-ASSEMBLY	88
A.22.7. PRESS BOTTOM-PRESS-BED FLATBED-MID WELD-ASSEMBLY	90
A.22.8. PRESS BOTTOM-PRESS-BED JACK-HAND WELD-ASSEMBLY	92
A.22.9. PRESS TOP-PRESS-BED ASSEMBLY	94
A.22.10. PRESS TOP-PRESS-BED BEAM WELD-ASSEMBLY	96
A.22.11. PRESS TOP-PRESS-BED FLATBED-SIDE WELD-ASSEMBLY	98
A.22.12. PRESS TOP-PRESS-BED FLATBED-MID WELD-ASSEMBLY	100

A.1. EXISTING PLATE PRESSES

A.1.1. PRESSES THAT CAN BE BOUGHT NOW

1. C R Clarke R30 Sheet Press

- £3150.00 (€3568.48)
- Max sheet size: 457 x 305 x 2 or 3mm
- Plastic granules placed in a material cassette, then loaded into system. Hotplates are activated and the hydraulic clamp presses the material, forming a plastic sheet. Finished sheet would require post processing, such as sawing off rough edges.
- <https://www.rapidonline.com/c-r-clarke-r30-sheet-press-34-8564>



2. Sheet Press – Manual (SPM/50×105)

- cost unknown
- Flatbed size: 1250 x 2500mm
- Hand operated. Rotary controls spin gears which in turn, spins a threaded rod (worm gear) to bring the clamp down. Used for pressing down corrugated cardboard sheets. Potential for forming plastic sheets due to large flatbed and clamp surface. Uniform pressure applied throughout surface area. If used for plastic granules, thickness would depend on amount of plastic loaded into system and level of force applied.
- <http://www.primemachines.net/products/p11.htm>



3. Hydraulic Sheet Pressing Machine

- 195000 INR (€ 2 517.32)
- Flatbed size: 1524 x 2540mm
- Presses corrugated cardboard sheets to remove warpage.
- Hydraulic powered pressing. Uniform pressure applied throughout surface area. Has same potential as previous example. This system includes a reversible switch, allowing either the top or bottom plate to vertically move.
- <http://www.monugraphics.net/pressing-machines.html#hydraulic-sheet-pressing-machine>



4. Hottronix MAXX Series Digital Clam Press

- \$1175.00 (€986.56)
- Flatbed size: 406.4 x 508mm
- Made for applying graphics to textiles. Heaters are integrated into plates, thus providing uniform heat distribution as well as clamping force. It has potential to be used for plastic sheet forming, it does not take up much vertical space like examples (2) and (3) as force is diagonally applied by hand. If the plates were made bigger to produce a larger sheet, the device might require two-handed operation.
- <https://screenprintsupply.com/stahls-heat-presses/>



5. Y32-200 Hydraulic Press

- \$14016.00 (€11768.16)
- Flatbed size: 406.4 x 508mm
- Applies 200-ton vertical force for industrial scale deep drawing, stamping, blanking and compressing plastic/deformable materials. Uses hydraulics to apply 200-ton force. is too excessive for the purposes of PPP2, however the use of 4 pistons can inspire the device's structure and function.
- https://www.alibaba.com/product-detail/Y32-200-Hydraulic-Press-for-processing_60587590705.html?spm=a2700.7724857.main07.260.b877a4e1Tc5KP



6. WICKERT Plastic Press

- Cost unknown
- Max sheet size: 6,500 x 3000 mm
- Extremely rigid construction, leveling device, tool cleaning, automatic feed and removal. An ideal plastic press, however too expensive for use in Angola. The features included in this press could serve as inspiration for features to include in the PPP2 press.
- <http://www.itb-bv.nl/kunststof-persen/>



7. Heat MX

- \$ 88,000,-
- www.maderaplastica.com.mx
- Video HEATmx: <https://youtu.be/-tZRkA5VvCQ>
- Video HEATmxS: <https://youtu.be/FROVHGcYTHM>
- <https://youtu.be/IBPKheZ7Ra0>

- Document below by HEAT mx

HEATmx MACHINES

Mexican technology with more than 40 years of experience, developed for the use of plastic waste post urban, agricultural and industrial consumption; delivers plaques or solid and resultant boards to be applied in situations of intertempere, solid humidity, corrosion and necessities of high life, replacing wood, steel, aluminum and other materials. Versatile and easy to operate machines, with the ability to process mixtures of different plastics even with impurities such as dirt, labels, metal, glass, aluminum, wood, etc; by means of a static smelting process on electric oven and then pressing it with cooling. This features allows to use almost any thermoplastic, however to obtain a feasible and resistant product it is recommended that 75% of the blend high-density polyethylene or polypropylene, materials which its use dominates in the world (79%).

The presentation of the raw materials must be granular, so it requires previous processes such as crushed in hard waste and densified in films.

It is feasible the use of: HDPE, LDPE, HMWPE, PP, ABS, EVA, PS and others. It should be mention that PET is not recommended because it crystallizes at the heat, causing it to be extremely fragile, however the PET.G works well.

The production that delivers the machine is aboard pf dimensions of 1,220mm x 2,440mm (4'x8'), and thicknesses of 8mm to 50mm. The board is work with paint and other types of materials.

Based on the nature of the process and the mixture of the raw material, the board will have an indefinite or multicolor finish, according to the raw material.

IDEAL TO TRANSFORM THE
PLASTIC GARBAGE TRASH

HEATmx

SOLUTION TO
WASTE
PLASTIC

MACHINES FOR MANUFACTURING
BOARDS FROM
PLASTIC WASTE
MADE IN MEXICO

International
patent pending



HEATmx60 Data Sheet

Machine to produce boards with post-consumer and post-industrial plastic waste; with dimensions of 1220 mm x 2440 mm, with a thickness of 8 mm to 50 mm.

PRODUCTION

60 kg / hr or 1 board 3/4 "thick per hour.

HEATING

By means of 1 oven. With heating by electrical resistances with electronic control and double ceramic fiber insulation. Maximum temperature of 350 ° C

PRESS

A press station with 4-cylinder hydraulic system and 4-way dividing valve, with a maximum pressure of 64 tn at 2500 psi. Power source with 3 hp motor.

REPOSE PRESS

A press station for finished boards, with 2-cylinder hydraulic system and 2-way dividing valve, with a maximum pressure of 32 tn at 2500 psi. Power source with 3 hp motor.

COOLING

Cooling incorporated into the main press by circulating cold water through the platen. It has a water cooler of 5 tons of cooling.

MOLD

2 steel molds are included, each with 16 wheels at 45 °, spring suspension, 1 removable lid.

LEVELER

Aluminum rule for the uniform arrangement of the raw material inside the mold with adjustable vertical movement.

ANTI ADHERENT

That has a roll holder for polyester film, which works as anti adherent

LIFTING TABLE

It has a hydraulic lifting table as a burr cutting table and to facilitate the movement of the mold board to the repose press.

ELECTRICAL CONSUMPTION

52 kwh; 120 amps at 220 v; 60 amps in 440 v.

DIMENSIONS

Height 2530 mm

Width 5500 mm

Length 12200 mm

WEIGHT

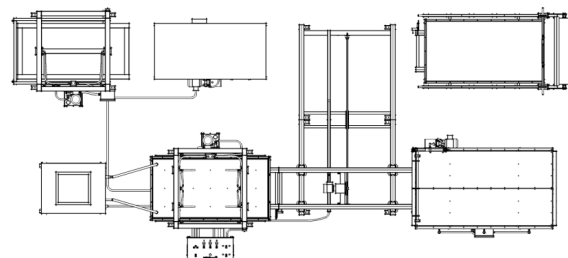
Approximate weight of 8400 kg



HEATmx60

machine to manufacture boards

60 kg/hr

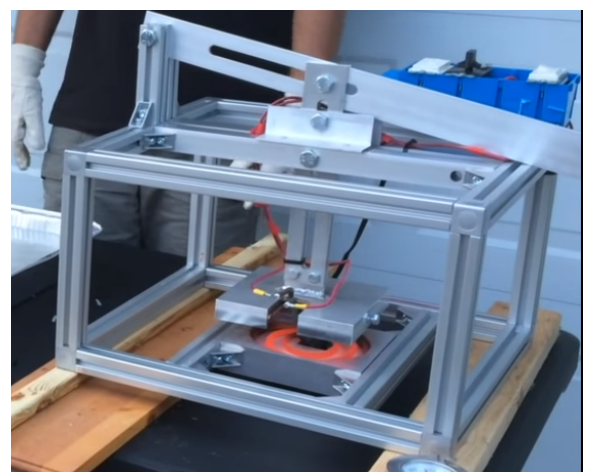
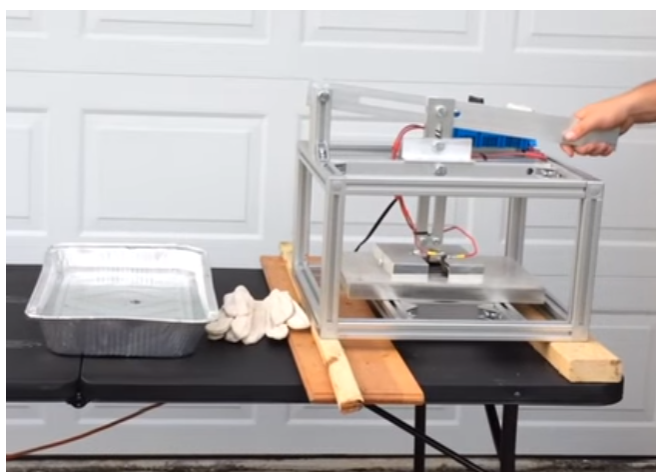


STATIC CASTING

HEATmx

A.1.2. OPEN SOURCE/DIY SOLUTIONS

1. Build a 10-ton hydraulic press
 - Makes use of a “jack-bottle”, a hydraulic pump operated by a lever to raise the clamp. Unsure of the availability of jack-bottles in Angola, but can possibly be replaced with a scissor car-jack for lower manufacturing cost.
 - The hydraulic press requires an arc welder, drill press and an angle grinder as well as workshop space and materials. Fábrica de Sabão is well equipped to make the hydraulic press, with slight modifications to press over a large surface area.
 - <http://www.instructables.com/id/Build-a-10-Ton-Hydraulic-Press/>
2. DIY 5-ton hydraulic press
 - A smaller hydraulic press but has a similar working principle to example (a). It would require modification to apply force over a larger surface area.
 - <https://www.youtube.com/watch?v=wqtdfb1dJ5l>
3. Precious Plastic open source project
 - Open-source project, makes use of components and materials found in scrap-yards.
 - The design is adaptable, as the construction will depend on the size of the oven used. Also, the maker can customize the design to fit their requirements.
 - The size of the pressing area is limited by the size of the oven's cavity.
 - Heating is efficient as it is done within an insulated cavity.
 - One possibility could be to extract the heating element from the oven and build an expanded heated cavity with the surrounding insulation.
 - <https://preciousplastic.com/en/videos/build/compression/>
4. HDPE Compression Molding
 - Square aluminum tube construction.
 - Heating element seems to derive from a portable stove. This is located underneath the mold.
 - The molding die consists of a female and male die. The male die is pushed downwards by the press.
 - The downward vertical force is applied to the mold below by a hand operated lever.
 - After molding, the die is quenched in a water bath.
 - <https://www.youtube.com/watch?v=PKM00vDaz8g>



A.1.3. OTHER MANUFACTURING METHODS

1. PIM (Powder Impression Molding)

- Mixing different groups of plastic and impurities results in mechanical weakness. Through PIM, strong, high quality boards are produced, solving the issue of mixed plastics and impurities.
- The panels consists of a foamed core sandwiched between two exterior panels.
- Manufacturing method (Taken from “PIM moulding of post consumer mixed plastics”, page 1 Brunel University,)
<http://bura.brunel.ac.uk/bitstream/2438/7661/2/FullText.pdf>
- Powder Impression Moulding (PIM) is designed to mould lightweight panels with solid skins sandwiching a foamed core and possesses great potential for incorporating low-grade and mixed plastics recyclates in powder or flake forms. A thin layer of powder materials is spread on two halves of a heated flat-bed mould and sintered to form solid skin layers and on one of the moulds, powder with blow agent for the core is added. The moulds are then closed and heated to a temperature at which a foamed core is produced and bond to the surfaces. As minimum material flow is required and the non-molten particles (e.g. impurities or contaminants) can be encapsulated by the dominant composition in the material, PIM is much more tolerant to the incorporation of mixed plastics or impurities in the feedstock than conventional extrusion and moulding techniques as means of mechanical recycling. This enables PIM to produce high performance sandwich panels that have found many applications in construction e.g. hauling boards, bathroom wet floor systems and concrete moulds and hybrid structures with embedded pipes or reinforcements.
- Cedar Environmental developed Eco-board, plastic panels to replace wooden or metal panels in construction. Current thickness: 18mm
- https://www.youtube.com/watch?v=O_XzQ7DkGfM

2. Plaswood

-Plastic Lumbar as an alternative to wooden lumbar.

From inspection, it appears the Plaswood lumbar is made by extrusion.

<http://www.innovation-portal.info/wp-content/uploads/Plaswood.pdf>



A.2. ANALYSIS TOPICS

- Angolan Culture
- Properties of Plywood
- Available tools in Africa
- Open-source extended meaning
- Binding techniques for granulate
- Plastic processing techniques
- Plastic recycling in the industry
- DIY plastic recycling
- Maker-spaces
- Plastic processing additives
- Design guide for recycled plastic
- Plastic type properties
- Sorting techniques
- Potential user needs
- Mixed plastic processing possibilities
- Energy consumption
- Plastic melting theories
- heat conductivity
- Construction material needs
- Why a plate?
- Local facilities
- Local plastic availability]
- plastic pollution
- Garbage infrastructures
- DIY tips and tricks
- DIY machine building
- Machine building
- Machine safety
- Infrared heating
- pressure techniques
- Distributed production
- Low resource definition

A.3. EXPERT MEETING EXCERPTS

A.3.1. THE BETTER FUTURE FACTORY

Meetings with Laura Klaus:

1st meeting:

- PET is hard to process, sticky, high temperature and crystalline
- keep it easy
- keep it safe, suck off fumes, low resource areas are not about rules and safety measurements, so you have to make it safe without rules
- Without shredding would make it really easy
- Power cost is important
- processing temperature is important
- import is expensive
- moisture and room temperature are also of influence
- workdays are less effective and shorter
- recognise-ability is important for collection
- there is enough plastic to be picky

2nd meeting:

- Think about what language they speak, no technical knowledge
- Cooling takes approximately as long as melting
- Very thick plates need very long cooling, meaning more degradation caused by long heating
- The more mass the more heat, the more cooling, the more difference in temp, the more warpage
- 25kW is a lot, find out what is normal and what is available
- production cycle in between blackouts = short production time needed
- Euro Pallet size is nice standard size, fits through the door
- Adjusting temperature and thickness would be nice
- Nice flatness and low porosity is nice

Conclusions for design process

- When selecting choose the easy/simple option
- Look into processing temperatures
- A limit to process only 1 or a few plastic types can be set
- Separation of processing steps is worth looking into
- Instructions communication and questions need to be thought through and adjusted for local understanding
- The effects of increasing plate thickness should be examined
- Realistic power usage should be determined
- A limit to process only 1 or a few plastic types can be set

Conclusions for POR

- PET is too difficult to process
- Adjustable thickness would be a nice function
- The machine(s) need to be safe without instructions
- Locally available parts are preferred over import
- Minimal flatness needs to be defined
- Maximum porosity needs to be defined
- Maintenance possibilities should be included in the design
- welding all parts together should be avoided

A.3.2. FABRICA DE SABÃO

Phone calls with Koen Verpaalen, initial contact:

- Nice to do something with all of the plastic waste
- Fantastic if we could replace plywood
- nice to use in furniture
- We'll find an application for anything
- The aim of Fabrica de Sabão is: Helping the social environment with starting / strengthening their own economy, through the teaching of practical and entrepreneurial skills and providing guidance in business start-ups?
- The maker-space and the equipment in it serve to teach practical skills and produce products.
- The products that are produced in the maker-space are sold to local private individuals and companies
- The products are produced and sold with the main goal of generating income for Fábrica the Sabão
- Fabrica de Sabão wants a machine that transforms plastic waste into usable raw materials,
- In the 1st place because this produces a cheap material while the existing building materials are very expensive. In the second place to clean up the environment. Creating waste awareness is more important than cleaning up.
- Fabrica de Sabão is already processing plastic waste into products but is limited to PET (New marble)
- A plate press that processes plastic waste into plastic sheets that can be used as a building material for furniture or other products, is of great value to Fabrica de Sabão. Despite the fact that the plates can not be used directly in the existing furniture designs.
- Considering that PET bottles are already being collected for recycling to "New marble", collecting the caps is a small extra effort.
- In addition to PET bottles and the corresponding caps, liquid containers in other shapes and sizes are the most common recognisable plastic waste. (Not including plastic bags and films)
- Fabrica de sabão is interested in starting up a plastic recycling hub with, among other things, the machinery of precious plastics.
- It is realistic that Fabrica de Sabão collects large quantities of mixed plastic, part of which is sorted.
- A large part of the plastic is not easy to sort by type of plastic because there are no clear characteristics present.
- A large part of the plastic waste consists of packaging material and food packaging.
- If a plastic sheet is made whose mechanical properties are not immediately suitable for replacing wooden sheets, we will come up with some other application.
- If a plastic plate with unique qualities is available then we think up some nice products to make of it.
- It is not a problem that the plates press must be used in a well-ventilated room.
- The equipment that Fabrica de sabão has available is mainly suitable for processing sheet material.

Conclusions for design process

- It is worth looking into whether mixed plastics can be processed
- Furniture application requirements might be a nice goal
- Plastic type and residue pollution should be taken into account

Conclusions for POR

- PET is already processed in another process, making it a lower priority to be processable by the plate press
- Directly replacing 18mm plywood would be very nice, but thinner and smaller plates are still very useful

Phone call with Daniela Antonio, Maker-space manager:

Fábrica helps community members to learn manufacturing & entrepreneurial skills. Next to that Fábrica has their own in-house manufacturing with their own employees. In the near future Fábrica wishes to share the facility with small entrepreneurs that started with help of Fábrica. They can then also share all of the facilities of the maker space.

The community members that are trained are mostly young and inexperienced, often this their first "job".

Manufacturing is based on CC designs but designs also come from the community members and are shared through CC. Designs can thus be adapted.

Fábrica is also working on waste awareness and because of it they are setting up their own recycling hub, collecting and sorting waste.

The intended use of the maker space in which the PPP will function is a shared facility for all companies within the Fábrica de Sabão institution.

The PPP is wanted to be a new means for processing plastic acquired through the future efforts of the waste collection and sorting facility set up by Fábrica de Sabão.

Conclusions for design process

- Fábrica de Sabão and possible other users, are expected to be willing to adjust their facility and preprocessing and collection efforts to fit the design

Conclusions for POR

- The plastic plates do not have to be a direct replacement of plywood.
- The design has to account for multiple users with minimal experience

Fábrica de Sabão video call, Maker-space team:

- Fábrica de Sabão stresses that 6mm is not strong enough for furniture, they would need 12mm.
- Fábrica de Sabão will research my BOM items for availability and price

Conclusions for POR

The plate press should be (adjust)able to press plates with 12mm thickness.

Telemeeting Daniela, FS

Checking design decision, discussing material options

- Ovens are accessible and cheap
- Aluminium moulding is easily available
- Aluminium sheets are available
- Steel I-beams all sizes available
- Steel square hollow sections all sizes available
- Fasteners are expensive and not all sizes are available

Conclusions for design process

- Minimum / maximum fastener sizes should be listed to provide limited selection freedom

Conclusions for POR

- When possible expensive fasteners should be avoided

A.3.3. PRECIOUS PLASTIC

Interview Mathijs Stroober:

- Lots of power needed
- Sorting is not precise
- Unknown is not used
- PET is not used
- Specific products are collected, thus material is known and colour is constant
- We provide the machine, others figure out what you can make with it
- Users are creative and will experiment and make nice things

Conclusions for POR

- PET is too difficult to process

Interview Intern Jerry, Plate Press build:

- Jerry built a plate press for producing 1m x 1m x 10mm plates
- Thickness is adjustable by replacing border ring
- Classic press concept, heating on both sides, single hydraulic press of 8 tons
- Three phase 230v 16A used, 1 phase used per heating side, 1 used for central electronics
- $230v \times 16A = 3680 W$ used per side for heating thus 7360 Watt total for heating
- Custom heating elements created by ceramic oven builder
- Zig zag heating element in middle of plate 1x1m
- Centre runs hotter
- Production of 1 plate takes 1 day
- 2hr heat of machine top and bottom touching
- 2hr heating plastic pressed tightly and increasing pressure every 15 minutes
- Whole night of cooling
- No mould
- Aluminum flatbeds
- Inefficient process
- Cost of machine €2000
- Build time 6 weeks, including redesign (problem solving) of smaller elements while building
- Thick layer of isolation
- Aluminium €600 steel construction 400€ electronics, heating & insulation 1000€

- Air gap was left between flatbed aluminium and heating elements, allowing better heat Distribution, downside is longer warm up time.
- Scaling up revealed new problems, small scale tests do not prove full scale function
- Nice thing is 1 machine for pressing plates, downside is production rate and inefficient energy consumption, advise is to separate heating (,pressing) and cooling
- Will be publicly available in half a year

Conclusions for design process

- The separation of process steps is worth looking into because of the energy efficiency
- The “classic” Plate press design is already executed, other options are more interesting to look into
- Full scale prototyping might be needed to confirm the expected functionality
- Heat distribution is something that needs to be looked in to
- Custom made heating elements are worth looking into
- More extensive energy consumption calculations might be needed

A.3.4. FLIPFLOPI

Interview Leonard Schürg:

- Flipflop is building a ship from recycled plastic in Kenya
- They made a plank/plate press for planks of 6000 x 220 x 25 mm
- HDPE is heated in a low pressure extruder, the plastic sausage is that comes out is put into a heated mould which is pressed together with hydraulic car jacks
- Sorting is done through production techniques:
 - Clear bottles = PET
 - Blow-moulded objects, Blow = HDPE
 - Injection-moulded objects, Inject = PP
 - So a lot of type pollution occurs
- 4x 16 ton pressure is applied, which is enough according to Leonard, it could be increased, but it works for now, less pressure would also work, but it should not be decreased too much.
- 4x 16 ton pressure on 6000 x 220 mm \approx 0.5 MPA
- Cracks should not be bigger than 1.5mm otherwise plastic creeps out of the mould
- Mixed plastic doesn't work, crack lines along the plastic boarders, PP doesn't stick to HDPE
- With High shrinkage of HDPE and rough surface of unpolished mould, the plank breaks when it is cooled down completely inside the mould, but when taken out to soon, it warps
- Their mould is made from steel rods welded together
- They also tried to mix the extruded and molten HDPE with solid HDPE flakes in the mould, which worked fine
- the mould is heated with locally available heating elements, which locals call life elements

Production:

- Always choose the easy option, local builders will do the same or try to find shortcuts

Construction materials:

- Standard profiles are available, but often not in the size

you want

- Bolts and nuts are expensive and size choices are limited and differ from time to time
- hinges and that sort of articles are available in some sort if you search well, but expensive
- Sheet materials are available
- Quality of all materials differ a lot from time to time
- Import is tricky, it takes long, can be expensive and corruption at customs can cost time and money. goods can also never arrive

Conclusions for design process

- A realistic pressure to start experimenting with is 0.5 MPa
- Mixed plastics are unwise to process since the resulting material is of bad quality
- Most parts and materials are available or acquirable, but the more exotic, the more expensive

Conclusions for POR

The design should account for varying fastener sizes, profile dimensions and material quality

A.3.5. WASTE BOARDS

Visit production facility & interview Johnathan Morison:

- Recycled plastic doesn't act like normal plastic
- Practical experience is worth more than theory
- Plastics burn easily when too hot
- Plastics leave very nasty stains on the mould
- Melt plastic in oven, press with heated mould
- PP doesn't mix with or stick to HDPE, fractions lines gather along the interfaces of the different type of plastics.

Conclusions for design process

- Experimentation renders great insights often more useful than the theory, which is often wrong or nonexistent
- Separating the process steps might be a good idea
- Mixed plastics are unwise to process since the resulting material is of bad quality

A.3.6. STICHTING STUNT

Working observations & interviews with Frank Van Polanen Petel & Lodewijk Bosman:

- Account for Murphy's law
- Rules are forgotten
- Safety is very important
- Everything should work the way it is supposed
- Everything should be simple and clear
- Only 1 way should be the way
- Doing it wrong should not be possible

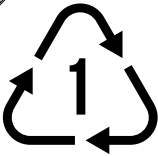





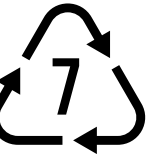
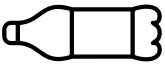

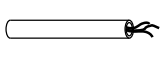
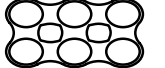

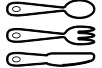
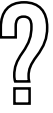
Conclusions for design process

- All safety hazards should be determined and eliminated

Conclusions for POR

- The design should provide 1 clear way of working that is not multi interpretable
- Safety should be inherent and not forced through rules

A.4. COMMODITY PLASTICS PROPERTIES OVERVIEW

 PET POLYETHYLENE TEREPHTHALATE PETE, A-PET, PETP	 HDPE HIGH DENSITY POLYETHYLENE PE-HD, PE	 PVC POLYVINYL CHLORIDE V	 LDPE LOW DENSITY POLYETHYLENE PE-LD	 PP POLYPROPYLENE	 PS POLYSTYRENE	 0 OTHER OR MIXED ? UNKNOWN ?
Good gas & moisture barrier properties High heat resistance Clear Hard Tough Microwave transparent Solvent resistant	Excellent moisture barrier properties Excellent chemical resistance Hard to semi-flexible and strong Soft waxy surface Permeable to gas Pigmented bottles stress resistant	Excellent transparency Hard, rigid (flexible when plasticised) Good chemical resistance Long term stability Good weathering ability Stable electrical properties Low gas permeability	Tough and flexible Waxy surface Soft - scratches easily Good transparency Low melting point Stable electrical properties Good moisture barrier properties	Excellent chemical resistance High melting point Hard, but flexible Waxy surface Translucent Strong	Clear to opaque Glassy surface Rigid or foamed Hard Brittle High clarity Affected by fats and solvents	There are other polymers that have a wide range of uses, particularly in engineering sectors. They are identified with the number 7 and OTHER (or a triangle with numbers from 7 to 19). Also mixes and unknown plastics are collected in this group.
COSMETIC CONTAINERS FOODJARS MOUTHWASH BOTTLES SINGEL USE DIRINKING BOTTLES PREPARED FOOD TRAYS SALAD DRESSIGN BOTTLES	AGRICULTURAL PIPE DETERGENT BOTTLES EXTRUDED PIPE GROCERY BAGS ICECREAM TUBS MILK/JUICE JUGS SAUCE BOTTLES OIL/VINEGAR BOTTLES SHAMPOO BOTTLES SHIPPING CONTAINERS	BLISTER PACKS BLOODBAGS CABLE SHEETING CARPET BACKING FLOOR TILES GARDEN HOSE MEDICAL TUBING OUTFOOR FURNITURE PLUMBING PIPE WINDOW FRAMES WIRES INSULATION ELECTRICAL PIPING	6-PACK RINGS BREAD BAGS DRY CLEANING BAGS GARBAGE BAGS HEAVY DUTY BAGS MOLDED LAB EQUIPMENT PLASTIC FOOD WRAP RECYCLING BINS SQUEEZEABLE BOTTLES TOYS	BOTTLE CAPS CREAL LINERS COTTAGE CHEESE LINERS HINGED LUNCH BOXES KETCHUP BOTTLES MARGERINE CONTAINERS MEDICINE BOTTLES MICROWAVE OVENWARE PACKAGING TAPE POTATOCHIP BAGS RUBBERMAID CONTAINERS STRAWS	CD AND VIDEO CASES DISPOSABLE HOT DRINK CUPS DISPOSABLE COLD DRINK CUPS DISPOSABLE PLATES DRINKING GLASSES EGG CONTAINERS FOAM PACKAGING HINGED BAKERY CONTAINERS PACKING PEANUTS/NOODLES PLASTIC CUTLERY STYROFOAM YOGURT CONTAINERS	BABY BOTTLES CAR PARTS FIBREGLASS LARGE WATER BOTTLES TUPPERWARE WATER COOLER BOTTLES ABS (SOMETIMES 9) PLA PC PMMA PEEK ETC.
1 kg ≈ 50 Soda bottles (.5L) 	1 kg ≈ 70 Sauce bottles (.35L) 	1 kg ≈ 12.5m of electrical piping (Ø 16mm) 	1 kg ≈ 200 6-pack rings 	1 kg ≈ 555 Soda bottlecaps 	1 kg ≈ 300 Pieces of plastic cutlery 	1 kg ≈ 
260 C°	177 C°	182 C°	121 C°	208 C°	177 C°	MIN. MELT. TEMP.
80 C°	75 C°	60 C°	70 C°	140 C°	95 C°	SOFTEN. TEMP.
300 C°	275 C°	184 C°	318 C°	315 C°	330 C°	DECOMP. TEMP.
0,3 %	0,01 %	0,2 %	0,01 %	0,01 %	0,1 %	WATER ABSORP. 1
0,8 %	0,01 - 0,002 %	3,5 %	0,01 - 0,002 %	0,1 %	0,15 %	WATER ABSORP. 2
$70 \cdot 10^{-6} \text{ C}^{-1}$	$200 \cdot 10^{-6} \text{ C}^{-1}$	$80 \cdot 10^{-6} \text{ C}^{-1}$	$225 \cdot 10^{-6} \text{ C}^{-1}$	$150 \cdot 10^{-6} \text{ C}^{-1}$	$70 \cdot 10^{-6} \text{ C}^{-1}$	LIN. THERM. EXP.
40 N/MM ²	20 - 30N/MM ²	80 - 110 N/MM ²	8 - 15 N/MM ²	40 - 45 N/MM ²	80 N/MM ²	FLEX. STRENGTH
30 - 45 N/MM ²	25 - 34 N/MM ²	50 - 60N/MM ²	9 - 28 N/MM ²	30 - 40 N/MM ²	40 - 65 N/MM ²	TENSILE STRENGTH
70 %	250 - >500 %	20 - >350 %	200 - 600 %	>450 %	15 %	ELONG. AT RUPT.
BRITTLE	TOUGH	-	FLEXIBLE	TOUGH	BRITTLE	GENERAL QUALITY

Source: CES edupack level 2 and 3

A.5. SURVEY

Thank you for helping me on my quest to design an open-source plastic plate press for bottom-up recycling in low resource areas. This questionnaire is intended to be filled out by potential users/builders/buyers of such a plate press and it is set up to find out what potential users expect and want from a plate press and what the limitations of the contexts of these potential users are. It will take about 15 minutes of your time.

The following questions are about your specific context, in which the plate press will have to operate.



1 We are/ I am located in ...

City, Country

- affordable in terms of cost per kilowatt
- cheap in terms of cost per kilowatt
- Other

6 This is also important to know about my power supply options:

7 The person(s) that would operate the plate press will do this *

- Full-time
- Part-time
- Sometimes
- Only a few times
- once
- Other

8 We/ I also think it is important to know this about the persons that will operate the machine:

The following questions are about goals of your operation/institution/company

2 The name of our/my operation/institution/company is

3 We/ I have or can get access to: *

(This is about finding the maximum amount of power that can be provided)

- A standard power socket, ca. 2 kilowatt
- A standard power socket, ca. 4 kilowatt
- A Three-phase power socket, ca. 10 kilowatt
- A Three-phase power socket, ca 20 kilowatt
- Other

4 My/Our power supply *

- is trustworthy, almost without blackouts
- blacks out sometimes for a short time
- blacks out sometimes for more than an hour
- blacks out often for a short time
- blacks out often for more than an hour
- only works sometimes
- Other

5 My/Our power supply is *

- expensive in terms of cost per kilowatt



9 We/ I want to use the plate press for *

- Experimentation
- Sample production
- Batch production
- Series production
- Other

10 Our output goal is mostly about *

- Producing qualitative plastic plates/sheets
- Processing as much plastic waste as possible
- Other

11 We/ I want to produce about *

- 1 plate per day
- 5 plates per day
- 10 plates per day
- 20 plates per day
- 2 plates per week
- 5 plates per week
- 10 plates per week
- as much plates as possible with non stop production
- Other

12 We/I also think it is important to know this about our operation/institution/company:

The following questions are about the main intended plate application & expected general qualities



The Aesthetics/looks of the plate are *

- 0
- 1
- 2
- 3
- 4
- 5
- 6
- 7

Unimportant

Very important

The plastic plates should provide *

- 1
- 2
- 3
- 4
- 5
- 6
- 7

Constructive strength

Surface area

The surface area of the plastic plates should be about as large as ... *

- 1
- 2
- 3
- 4
- 5
- 6
- 7

A book

A bed

16 We/I expect these specific qualities/properties of the plastic plates:

17 We/I would love be able to produce plastic plates with these qualities/properties:

18 We/I want to use the plastic plate to *

- Make furniture
- Use as input material for a laser cutter
- Use as input material for a CNC-router
- Build huts/houses
- Sell as they are
- Make boxes
- I/We'll see when I/we have them
- Other

19 We/I also think it is important to know this about what we/I will use the plates for:

The following question are about your plastic waste supply options

1 PET POLYETHYLENE TEREPHTHALATE PETE, A-PET, PETP	2 HDPE HIGH DENSITY POLYETHYLENE PE-HD, PE	3 PVC POLYVINYL CHLORIDE V	4 LDPE LOW DENSITY POLYETHYLENE PE-LD	5 PP POLYPROPYLENE	6 PS POLYSTYRENE	7 O OTHER WASTE TYPICALLY
Good gas & moisture barrier properties High heat resistance Clear Hard Though Microcracks transparent Solvent resistant	Excellent moisture barrier properties Excellent chemical resistance Resists to semi-flexible and strong Soft waxy surface Flammable to some flame-retardant carbon fibres resistant	Excellent transparency Hard, rigid, flexible when plasticized Good electrical resistance Long term stability Good weathering ability Stable electrical properties Low gas permeability	Tough and flexible Waxy surface SB + scratches easily Good transparency Low melting point Stable electrical properties Good moisture barrier properties	Excellent chemical resistance High melting point Hard but flexible Waxy surface Transparent strong	Clear to opaque Glossy surface Rigid or foamed Hard Brittle Highly flammable Affected by fats and solvents	There are other polymers that have a wide range of uses, particularly in engineering sectors. They are identified with the number 7 and OTHER for a range of 0-9. Also note that unknown plastics are collected in this category.
DOMESTIC CONTAINERS FRIGIDERS MULTIWALL BOTTLES SINGLE USE DRINKING BOTTLES PREPARED FOOD TRAYS SALAD DRESSING BOTTLES	HOUSEHOLD BOTTLES EXTENSIVE PPE CROCKERY BASKETS ROCKERS TUBS WAX WAX BARS SINKS BOTTLES ALUMINUM BOTTLES SHAMPING BOTTLES SHAMPING CONTAINERS	BATTERY HOUSING REFRIGERATORS CABLE COILINGS CABLE PACKING FLOOR TILES BASKETS WHEEL METALIC TUBING ROTARY PUMPS PLUMBING PVC BATTERY HOUSING WHEEL HOUSING FROM ELECTRICAL WHEELS	4-PACK BUBBLE BLENDED BARS BPP FILLING BARS SHOWER BARS HEAVY DUTY BARS WELDED CAR EQUIPMENT PLASTIC HOUSING RECYCLING BARS SANDWICHING BOTTLES BBS	BOTTLE CAPS COOL LINERS OFFICE CHAIR LINERS WHEEL CHAIRS WHEELING CONTAINERS WHEELING BOTTLES WHEELING CONTAINERS PACKAGING TUBS POLYPROPYLENE BARS REINFORCED CONTAINERS STRIPS	SO AND OTHER COATS DISPOSABLE HOT DRINK CUPS DISPOSABLE COOLING CUPS DISPOSABLE PLATES DISPOSABLE GLASSES FOOD PACKAGING WHEELING CONTAINERS PACKING PLASTIC TUBES PLASTIC COILS STYRENE HOTM CONTAINERS	WAX BOTTLES CAR PARTS FRIGIDERS SINKS WATER BOTTLES THERMOS WATER TANK BOTTLES AND CONTAINERS IN: PE PVC PPE ETC
1 kg = 50 Soda bottles (1.5L)	1 kg = 50 Juice bottles (1.5L)	1 kg = 12.5m of electrical wiring (Ø 10mm)	1 kg = 200 4-pack rings	1 kg = 555 Soda bottles	1 kg = 300 Pieces of plastic cutlery	1 kg = ?

20 We/I can acquire plastic through *

- self organised collection
- offering payment per kg
- buying from organised collectors
- business arrangement with second party

Other

21 The acquired plastic waste is *



- sorted by plastic type
- sorted by color
- sorted by type of product
- cleaned
- shredded
- non of the above
- Other

22 We/I have or can acquire the following means to shred plastic *

- an industrial shredder
- a DIY shredder
- hand labour shredding
- it is supplied in shredded form
- non of the above
- Other

23 We/I also think it is important to know this about our/my plastic waste supply options:

Acquiring PET is *

	Good gas & moisture barrier properties High heat resistance Clear Hard Tough Microwave transparent Solvent resistant	COSMETIC CONTAINERS FOODIARIS MOUTHWASH BOTTLES SINGLE USE DRINKING BOTTLES PREPARED FOOD TRAYS SALAD DRESSION BOTTLES	1 kg = 50 Soda bottles (.5L) 
--	--	---	---

Acquiring HDPE is *

	Excellent moisture barrier properties Excellent chemical resistance Hard to semi-flexible and strong Soft waxy surface Permeable to gas Pigmented bottles stress resistant	AGRICULTURAL PIPE DETERGENT BOTTLES EXTRUDED PIPE ORCERY BAGS ICECREAM TUBS MILK/JUICE BURS SAUCE BOTTLES OIL/VINEGAR BOTTLES SHAMPOO BOTTLES SHIPPING CONTAINERS	1 kg = 70 Sauce bottles (.35L) 
--	---	--	---



0 1 2 3 4 5 6 7 8 9 10

Costly/Hard

Cheap/Easy

28 We/I can acquire approximately ... kg HDPE per day *

fill in '0' if you want to express it in kg/week in the next question

	Good gas & moisture barrier properties High heat resistance Clear Hard Tough Microwave transparent Solvent resistant	COSMETIC CONTAINERS FOODIARIS MOUTHWASH BOTTLES SINGLE USE DRINKING BOTTLES PREPARED FOOD TRAYS SALAD DRESSION BOTTLES	1 kg = 50 Soda bottles (.5L) 
---	--	---	---



0 1 2 3 4 5 6 7 8 9 10

Costly/Hard

Cheap/Easy



25 We/I can acquire approximately ... kg PET per day *

fill in '0' if you want to express it in kg/week in the next question

	Good gas & moisture barrier properties High heat resistance Clear Hard Tough Microwave transparent Solvent resistant	COSMETIC CONTAINERS FOODIARIS MOUTHWASH BOTTLES SINGLE USE DRINKING BOTTLES PREPARED FOOD TRAYS SALAD DRESSION BOTTLES	1 kg = 50 Soda bottles (.5L) 
---	--	---	---

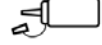
26 We/I can acquire approximately ... kg PET per week *

fill in '0' if you expressed this in kg/day in the previous question

	Excellent moisture barrier properties Excellent chemical resistance Hard to semi-flexible and strong Soft waxy surface Permeable to gas Pigmented bottles stress resistant	AGRICULTURAL PIPE DETERGENT BOTTLES EXTRUDED PIPE ORCERY BAGS ICECREAM TUBS MILK/JUICE BURS SAUCE BOTTLES OIL/VINEGAR BOTTLES SHAMPOO BOTTLES SHIPPING CONTAINERS	1 kg = 70 Sauce bottles (.35L) 
--	---	--	---

29 We/I can acquire approximately ... kg HDPE per week *

fill in '0' if you expressed this in kg/day in the previous question

	Excellent moisture barrier properties Excellent chemical resistance Hard to semi-flexible and strong Soft waxy surface Permeable to gas Pigmented bottles stress resistant	AGRICULTURAL PIPE DETERGENT BOTTLES EXTRUDED PIPE ORCERY BAGS ICECREAM TUBS MILK/JUICE BURS SAUCE BOTTLES OIL/VINEGAR BOTTLES SHAMPOO BOTTLES SHIPPING CONTAINERS	1 kg = 70 Sauce bottles (.35L) 
--	---	--	---

Acquiring LDPE is *

 <p>LDPE LOW DENSITY POLYETHYLENE PE-LD</p>	<p>Tough and flexible Waxy surface Soft - scratches easily Good transparency Low melting point Stable electrical properties Good moisture barrier properties</p>	<p>6-PACK RINGS BREAD BAGS DRY CLEANING BAGS GARBAGE BAGS HEAVY DUTY BAGS MOLDED LAB EQUIPMENT PLASTIC FOOD WRAP RECYCLING BINS SQUEEZABLE BOTTLES TOYS</p>	<p>1 kg = 200 6-pack rings</p> 
---	--	--	--

0 1 2 3 4 5 6 7 8 9 10

Costly/Hard Cheap/Easy



31 We/I can acquire approximately ... kg LDPE per day *

fill in '0' if you want to express it in kg/week in the next question

 <p>LDPE LOW DENSITY POLYETHYLENE PE-LD</p>	<p>Tough and flexible Waxy surface Soft - scratches easily Good transparency Low melting point Stable electrical properties Good moisture barrier properties</p>	<p>6-PACK RINGS BREAD BAGS DRY CLEANING BAGS GARBAGE BAGS HEAVY DUTY BAGS MOLDED LAB EQUIPMENT PLASTIC FOOD WRAP RECYCLING BINS SQUEEZABLE BOTTLES TOYS</p>	<p>1 kg = 200 6-pack rings</p> 
---	--	--	--



32 We/I can acquire approximately ... kg LDPE per week *

fill in '0' if you expressed this in kg/day in the previous question

 <p>PP POLYPROPYLENE</p>	<p>Excellent chemical resistance High melting point Hard, but flexible Waxy surface Translucent Strong</p>	<p>BOTTLE CAPS CREAM LINERS COTTAGE CHEESE LINERS HINGED LUNCH BOXES KETCHUP BOTTLES MARGARINE CONTAINERS MEDICINE BOTTLES MICROWAVE OVENWARE PACKAGING TAPE POTATOCHIP BAGS SUBSERNADO CONTAINERS STRAWS</p>	<p>1 kg = 555 Soda bottlecaps</p> 
--	--	--	---

35 We/I can acquire approximately ... kg PP per week *

fill in '0' if you expressed this in kg/day in the previous question

 <p>PP POLYPROPYLENE</p>	<p>Excellent chemical resistance High melting point Hard, but flexible Waxy surface Translucent Strong</p>	<p>BOTTLE CAPS CREAM LINERS COTTAGE CHEESE LINERS HINGED LUNCH BOXES KETCHUP BOTTLES MARGARINE CONTAINERS MEDICINE BOTTLES MICROWAVE OVENWARE PACKAGING TAPE POTATOCHIP BAGS SUBSERNADO CONTAINERS STRAWS</p>	<p>1 kg = 555 Soda bottlecaps</p> 
--	--	--	---

Acquiring PS is *



 <p>LDPE LOW DENSITY POLYETHYLENE PE-LD</p>	<p>Tough and flexible Waxy surface Soft - scratches easily Good transparency Low melting point Stable electrical properties Good moisture barrier properties</p>	<p>6-PACK RINGS BREAD BAGS DRY CLEANING BAGS GARBAGE BAGS HEAVY DUTY BAGS MOLDED LAB EQUIPMENT PLASTIC FOOD WRAP RECYCLING BINS SQUEEZABLE BOTTLES TOYS</p>	<p>1 kg = 200 6-pack rings</p> 
---	--	--	--

Acquiring PP is *

 <p>PP POLYPROPYLENE</p>	<p>Excellent chemical resistance High melting point Hard, but flexible Waxy surface Translucent Strong</p>	<p>BOTTLE CAPS CREAM LINERS COTTAGE CHEESE LINERS HINGED LUNCH BOXES KETCHUP BOTTLES MARGARINE CONTAINERS MEDICINE BOTTLES MICROWAVE OVENWARE PACKAGING TAPE POTATOCHIP BAGS SUBSERNADO CONTAINERS STRAWS</p>	<p>1 kg = 555 Soda bottlecaps</p> 
--	--	--	---

34 We/I can acquire approximately ... kg PP per day *

fill in '0' if you want to express it in kg/week in the next question

 <p>PS POLYSTYRENE</p>	<p>Clear to opaque Glassy surface Rigid or foamed Hard Brittle High clarity Affected by fats and solvents</p>	<p>CD AND VIDEO CASES DISPOSABLE HOT DRINK CUPS DISPOSABLE COLD DRINK CUPS DISPOSABLE PLATES DRINKING GLASSES EGG CONTAINERS FOAM PACKAGING HINGED BAKERY CONTAINERS PACKING PEANUTS/NOODLES PLASTIC CUTLERY STYROFOAM YOGURT CONTAINERS</p>	<p>1 kg = 300 Pieces of plastic cutlery</p> 
--	---	---	---

Costly/Hard

Cheap/Easy



37 We/I can acquire approximately ... kg PS per day *

fill in '0' if you want to express it in kg/week in the next question

 <p>PS POLYSTYRENE</p>	<p>Clear to opaque Glassy surface Rigid or foamed Hard Brittle High clarity Affected by fats and solvents</p>	<p>CD AND VIDEO CASES DISPOSABLE HOT DRINK CUPS DISPOSABLE COLD DRINK CUPS DISPOSABLE PLATES DRINKING GLASSES EGG CONTAINERS FOAM PACKAGING HINGED BAKERY CONTAINERS PACKING PEANUTS/NOODLES PLASTIC CUTLERY STYROFOAM YOGURT CONTAINERS</p>	<p>1 kg = 300 Pieces of plastic cutlery</p> 
--	---	---	---

38 We/I can acquire approximately ... kg PS per week *

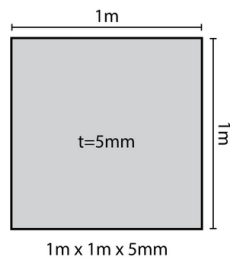
fill in '0' if you expressed this in kg/day in the previous question






	<p>Clear to opaque Glassy surface Rigid or foamed Hard Brittle High clarity Affected by fats and solvents</p>	<p>CD AND VIDEO CASES DISPOSABLE HOT DRINK CUPS DISPOSABLE COLD DRINK CUPS DISPOSABLE PLATES DRINKING GLASSES EGG CONTAINERS FOAM PACKAGING HINGED BAKERY CONTAINERS PACKING PEANUTS/NOODLES PLASTIC CUTLERY STYROFOAM YOGURT CONTAINERS</p>	<p>1 kg ≈ 300 Pieces of plastic cutlery</p> 
---	---	--	---

39 We/I also think it is important to know this about the plastic (waste) we can acquire:

For your information: PVC (3) and ABS (9) were left out because they produce toxic fumes when melted. Other (7) is left out because it is unreliable and unpredictable.

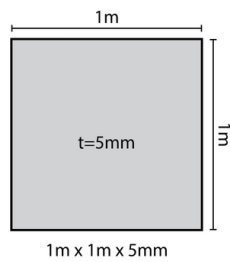
The following questions are about the specific plate requirements that you would like








- ≈ 2775 Soda bottle caps (PP) 
- ≈ 250 Soda bottles (.5L) (PET) 
- ≈ 350 Sauce bottles (.35L) (HDPE) 
- ≈ 1000 6-pack rings (LDPE) 
- ≈ 1500 Pieces of plastic cutlery (PS) 

41 For the intended application(s) the best plate width would be ...cm *

keep in mind that you need a certain amount of plastic like shown in the illustration



- ≈ 2775 Soda bottle caps (PP) 
- ≈ 250 Soda bottles (.5L) (PET) 
- ≈ 350 Sauce bottles (.35L) (HDPE) 
- ≈ 1000 6-pack rings (LDPE) 
- ≈ 1500 Pieces of plastic cutlery (PS) 

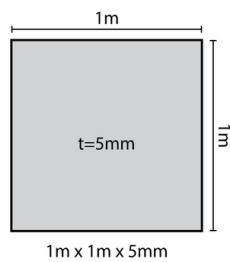







40 For the intended application(s) the best plate length would be ...cm *

keep in mind that you need a certain amount of plastic like shown in the illustration

42 For the intended application(s) the best plate thickness would be ...mm *

keep in mind that you need a certain amount of plastic like shown in the illustration



- ≈ 2775 Soda bottle caps (PP) 
- ≈ 250 Soda bottles (.5L) (PET) 
- ≈ 350 Sauce bottles (.35L) (HDPE) 
- ≈ 1000 6-pack rings (LDPE) 
- ≈ 1500 Pieces of plastic cutlery (PS) 

43 For the intended application(s) the plate thickness may not deviate more than *

- 0.5 mm
- 0.75 mm
- 1 mm
- 1.5 mm
- 2 mm
- Other

44 For the intended application(s) the plate surface can best be *

- Smooth

- Textured
- doesn't matter
- Other

45 For the intended application(s) the plate's color pattern *

- may be random
- must be influenceable when producing the plate

46 For the intended application(s) the plate can best *

- be flat on all sides
- have a ribbed backside
- have a ribbed back and frontside
- be any way
- Other

47 For the intended application(s) the plate's porosity level can best be *

- As close as possible to 100% solid
- Around 50%
- Around 75%
- be any way
- Other

48 These requirements are also/extra important:

- Maybe
- Other

51 Such a plate press should not cost me more than ...\$ *

[Empty dashed text box]

Now you are really almost done, just 4 more question about contact and follow-up.

52 I'd like to be informed about new developments in this project *

- Yes
- No

53 You may contact me for possible follow-up questions *

- Yes
- No

54 My name is:

[Empty dashed text box]

55 You may contact me on this email address

[Empty dashed text box]

Thanks for completing my survey!

Please share this survey with other potential users/buyers/builders of an open-source plastic plate press for bottom-up recycling in low resource areas.

[Empty dashed text box]

49 We/I also think it is important to know this about the specific plate requirements:

[Empty dashed text box]

Almost done, just 2 more question about money and then 4 about contact and follow-up



50 If an open-source build plan for a plastic plate press able to press plates that are right for my application was available, I would build or let build one. *

- Yes
- No

Feel free to contact me on m.bachrach@gmail.com

Submit

Never submit passwords! - [Report abuse](#)

A.6. SURVEY RESULTS

We'll have or can get access to:

16 out of 16 people answered this question

1	A standard power socket, ca. 4 kilowatt	7 / 44%
2	A standard power socket, ca. 2 kilowatt	5 / 31%
3	A Three-phase power socket, ca. 20 kilowatt	3 / 19%
4	A Three-phase power socket, ca. 10 kilowatt	3 / 19%
5	Other	2 / 13%

My/Our power supply

16 out of 16 people answered this question

1	blacks out sometimes for a short time	6 / 38%
2	is trustworthy, almost without blackouts	6 / 38%
3	blacks out sometimes for more than an hour	4 / 25%
4	blacks out often for a short time	0 / 0%
5	blacks out often for more than an hour	0 / 0%
6	only works sometimes	0 / 0%

My/Our power supply is

16 out of 16 people answered this question

1	affordable in terms of cost per kilowatt	8 / 50%
2	expensive in terms of cost per kilowatt	4 / 25%
3	Other	2 / 13%
4	cheap in terms of cost per kilowatt	2 / 13%

The person(s) that would operate the plate press will do this

16 out of 16 people answered this question

1	Part-time	10 / 63%
2	Sometimes	5 / 31%
3	Full-time	4 / 25%
4	Only a few times	1 / 6%
5	once	0 / 0%

We'll want to use the plate press for

16 out of 16 people answered this question

1	Batch production	12 / 75%
2	Experimentation	7 / 44%
3	Sample production	6 / 38%
4	Series production	6 / 38%

Our output goal is mostly about

16 out of 16 people answered this question

1	Producing qualitative plastic plates/sheets	11 / 69%
2	Processing as much plastic waste as possible	4 / 25%
3	Other	1 / 6%

We'll want to produce about

16 out of 16 people answered this question

1	10 plates per day	6 / 38%
2	5 plates per day	4 / 25%
3	1 plate per day	2 / 13%
4	20 plates per day	2 / 13%
5	5 plates per week	1 / 6%
6	as much plates as possible with non stop production	1 / 6%
7	10 plates per week	0 / 0%
8	2 plates per week	0 / 0%

The Aesthetics/looks of the plate are

16 out of 16 people answered this question

Average: 4.69

0	1	2	3	4	5	6
---	---	---	---	---	---	---

Unimportant

Very important

6	7 / 44%
5	3 / 19%
2	2 / 13%
3	2 / 13%
4	2 / 13%

The plastic plates should provide

16 out of 16 people answered this question

Average: 4.19

1	2	3	4	5	6	7
---	---	---	---	---	---	---

Constructive strength

Surface area

4	6 / 38%
5	4 / 25%
3	2 / 13%
7	2 / 13%
1	1 / 6%
2	1 / 6%

The surface area of the plastic plates should be about as large as ...

16 out of 16 people answered this question

Average: 4.25

1	2	3	4	5	6	7
---	---	---	---	---	---	---

A book

A bed

3	5 / 31%
4	4 / 25%
5	3 / 19%
7	3 / 19%
1	1 / 6%

We'll want to use the plastic plate to

16 out of 16 people answered this question

1	Make furniture	12 / 75%
2	Sell as they are	9 / 56%
3	Build huts/houses	7 / 44%
4	Use as input material for a CNC-router	7 / 44%
5	Make boxes	6 / 38%
6	Use as input material for a laser cutter	6 / 38%
7	I/We'll see when I/we have them	4 / 25%
8	Other	2 / 13%

We'll can acquire plastic through

16 out of 16 people answered this question

1	self organised collection	13 / 81%
2	offering payment per kg	7 / 44%
3	buying from organised collectors	6 / 38%
4	bussiness arrangement with second party	2 / 13%
5	Other	1 / 6%

The acquired plastic waste is

16 out of 16 people answered this question

1	sorted by plastic type	14 / 88%
2	cleaned	11 / 69%

3	shredded	9 / 56%
4	sorted by color	6 / 38%
5	sorted by type of product	3 / 19%
6	non of the above	2 / 13%

We'll have or can acquire the following means to shred plastic

16 out of 16 people answered this question

1	a DIY shredder	12 / 75%
2	an industrial shredder	5 / 31%
3	hand labour shredding	2 / 13%
4	it is supplied in shredded form	1 / 6%
5	non of the above	0 / 0%

Acquiring PET is

16 out of 16 people answered this question

Average: 8.75

0	1	2	3	4	5	6	7	8	9	10
---	---	---	---	---	---	---	---	---	---	----

Costly/Hard

Cheap/Easy

10		10 / 63%
9		2 / 13%
3		1 / 6%
5		1 / 6%
6		1 / 6%
8		1 / 6%

Acquiring HDPE is

16 out of 16 people answered this question

Average: 5.81

0	1	2	3	4	5	6	7	8	9	10
---	---	---	---	---	---	---	---	---	---	----

Costly/Hard

Cheap/Easy

3		3 / 19%
8		3 / 19%
1		2 / 13%
5		2 / 13%
6		2 / 13%
10		2 / 13%
7		1 / 6%
9		1 / 6%

Acquiring LDPE is

16 out of 16 people answered this question

Average: 5.94

0	1	2	3	4	5	6	7	8	9	10
---	---	---	---	---	---	---	---	---	---	----

Costly/Hard

Cheap/Easy

2		3 / 19%
5		3 / 19%
8		3 / 19%
4		2 / 13%
10		2 / 13%
6		1 / 6%
7		1 / 6%
9		1 / 6%

Acquiring PP is

16 out of 16 people answered this question

Average: 7.38

0	1	2	3	4	5	6	7	8	9	10
---	---	---	---	---	---	---	---	---	---	----

Costly/Hard

Cheap/Easy

10		6 / 38%
8		3 / 19%
5		2 / 13%
7		2 / 13%
1		1 / 6%
3		1 / 6%
6		1 / 6%

Acquiring PS is

16 out of 16 people answered this question

Average: 4.00

0	1	2	3	4	5	6	7	8	9	10
---	---	---	---	---	---	---	---	---	---	----

Costly/Hard

Cheap/Easy

5		4 / 25%
0		2 / 13%
1		2 / 13%
3		2 / 13%
6		2 / 13%
2		1 / 6%
4		1 / 6%
8		1 / 6%
10		1 / 6%

For the intended application(s) the plate thickness may not deviate more than

16 out of 16 people answered this question

1	1 mm	7 / 44%
2	2 mm	3 / 19%
3	0.5 mm	2 / 13%
4	Other	2 / 13%
5	0.75 mm	1 / 6%
6	1.5 mm	1 / 6%

For the intended application(s) the plate surface can best be

16 out of 16 people answered this question

1	Smooth	13 / 81%
2	doesn't matter	3 / 19%
3	Textured	0 / 0%

For the intended application(s) the plate's color pattern

16 out of 16 people answered this question

1	must be influenceable when producing the plate	9 / 56%
2	may be random	7 / 44%

For the intended application(s) the plate can best

16 out of 16 people answered this question

1	be flat on all sides	12 / 75%
2	have a ribbed backside	2 / 13%
3	Other	1 / 6%
4	be any way	1 / 6%
5	have a ribbed back and frontside	0 / 0%

For the intended application(s) the plate's porosity level can best be

16 out of 16 people answered this question

1	As close as possible to 100% solid	11 / 69%
2	Around 75%	4 / 25%
3	Around 50%	1 / 6%

4	be any way	0 / 0%
---	------------	--------

If an open-source build plan for a plastic plate press able to press plates that are right for my application was available, I would build or let build one.

16 out of 16 people answered this question

1	Yes	14 / 88%
2	Maybe	2 / 13%
3	No	0 / 0%

I'd like to be informed about new developments in this project

16 out of 16 people answered this question

1	Yes	16 / 100%
---	-----	-----------

You may contact me for possible follow-up questions

16 out of 16 people answered this question

1	Yes	16 / 100%
---	-----	-----------

A.7. EXPERIMENTATION DOCUMENTATION

A.7.1. TESTS 1.1 - 2

Test nr	1.1	1.2	1.3	1.4	2
Label nr	0.1	0.2	0.3	0.4	1
Test	Tryout	Tryout	Tryout	Tryout	Defined form can be filled
Denominator	Paninin grill	Paninin grill	Paninin grill	Paninin grill	Alu Mould
Heating apparatus	Panini grill	Panini grill	Panini grill	Panini grill	Panini grill
Mould	Grills original Flat bed	Grills original Flat bed	Grills original Flat bed	Grills original Flat bed	Aluminum lasercut mould
Mould thickness setting	6mm	6mm	6mm	6mm	5mm
Pressure	25kg	25kg	25kg	25kg	25kg
Material	PP	HDPE	HDPE	HDPE	HDPE
Plastic shape	Whole prototype parts	Whole bottle caps	Re-molten previous test	Whole bottle caps	Whole bottle caps
Input material weight (g)	-	-	-	-	220
Material distribution	Evenly	Evenly	Evenly	Evenly	Evenly
PTFE spray	No	No	No	No	Yes
Baking paper sheet	Yes	No	No	No	No
Melting time	-	-	-	-	30m
Melting temperature	200-250	200-250	200-250	200-250	200-250
Cooling setup	In panini grill	In panini grill	In panini grill	In panini grill	Outside grill inside mould
Cooling pressure	25kg	-	25kg	25kg	25kg
Cooling time		2h	2h	2h	2h
Cooling temperature	12° C	12° C	12° C	12° C	8° C
Vent holes layer height	-	-	-	-	-
Handling	Folded when molten and pressed again 2x	Folded when molten and pressed again 1x	Re-molten previous test, Folded when molten and pressed again 1x	Folded when molten and pressed again 2x	
Process observations	Plastic pieces were hollow and trapped a lot of air, baking paper sticks to plastic	When cooled without pressure, warpage and rippling occurred	When cooled with pressure, warpage and rippling was eliminated	Bigger caps trapped more air, pollution burned	Bigger caps trapped more air, pollution burned
Mould opening observations	-	-	-	-	Mould opened easily
Trapped air	Medium sized bubbles medium amount	a few small bubbles	a few small bubbles	a few small bubbles	Medium sized bubbles medium amount

A.7.2. TESTS 3 - 4.4

Test nr	3	4.1	4.2	4.3	4.4
Label nr	2	3.1.1	3.1.2	3.1.3	3.1.4
Test	Try PET	Shredded = less air	PP processes like HDPE	PS processes like HDPE & PP	Longer melting time = better spread of PS
Denominator	Alu Mould	Alu Mould	Alu Mould	Alu Mould	Alu Mould
Heating apparatus	Panini grill	Panini grill	Panini grill	Panini grill	Panini grill
Mould	Aluminum lasercut mould	Aluminum lasercut mould	Aluminum lasercut mould	Aluminum lasercut mould	Aluminum lasercut mould
Mould thickness setting	5mm	5mm	5mm	5mm	5mm
Pressure	25kg	25kg	25kg	25kg	25kg
Material	PET	HDPE	PP	PS	PS
Plastic shape	Cut pieces PET bottle, 30x30	Shredded	Shredded	Shredded	Shredded
Input material weight (g)	310	240	220	240	240
Material distribution	Evenly	Mount in middle	Mount in middle	Mount in middle	Evenly
PTFE spray	Yes	Yes	Yes	Yes	Yes
Baking paper sheet	No	No	No	No	No
Melting time	1h 20m	20m	20m	20m	40m
Melting temperature	200-250	200-250	200-250	200-250	200-250
Cooling setup	Outside grill inside mould	Outside grill inside mould	Outside grill inside mould	Outside grill inside mould	Outside grill inside mould
Cooling pressure	25kg	25kg	25kg	25kg	25kg
Cooling time	12h	1h	1h	1h	1h
Cooling temperature	8° C	4° C	8° C	4° C	8° C
Vent holes layer height	-	-	-	-	-
Handling		Normal	Normal	Normal	Normal
Resulting thickness	-	5-6	4.9-5.1	5,3	5,3
Resulting weight of cleaned plate		214.3	188.6	235	233.8
Process observations	No melting, occurred. Only a few pieces stuck together and a few turned opaque. Some stuck to the mould, very hard to remove	Mould could not completely close, thickness therefore not even and slightly above 5mm-6mm. Melting process is way faster than with unshredded material.	PP flows more quickly than HDPE and more PP droops through the seams	Mould did not completely close, plastic didn't reach corners	Fleshing gripped mould inside and got it stuck
Mould opening observations	Pieces that stuck to the mould stuck really well and could not be peeled of only with tools the pieces were able to be scraped of and still then it was hard to remove everything	A bit of prying opened the mould	Fleshing gripped mould inside and got it stuck	Fleshing gripped mould inside and got it stuck	Fleshing gripped mould inside and got it stuck

Test nr	3	4.1	4.2	4.3	4.4
Result evaluation	No plate was formed	Pattern on top shows slight signs of flow, increasing towards corners, Pattern on the bottom shows more flow , from centre outwards.	Pattern on top shows slight signs of flow, increasing towards corners, Pattern on the bottom shows more flow , from centre outwards.	Pattern on top shows slight signs of flow, increasing towards corners, Pattern on the bottom shows more flow , from centre outwards.	Pattern on top shows slight signs of flow, increasing towards corners, Pattern on the bottom shows more flow , from centre outwards.
Trapped air	-	Very little	a few tiny air bubbles visible and 1 big one	Very little	Very little
Surface quality	-	Good, plastic pollution noticeable	Non melting elements incapsulated gives problems at surface. Plastic pollution from other types don't blend or stick, you can peel them off easily	Eventual (air) dimples	Eventual (air) dimples
Flatness	-	Good	Good	Good	Good
Raised edges	-	Slightly	Slightly	Very slightly	Very slightly
Shrinkage	-	3-4 mm on longest side	6-7 mm on longest side	2-3 mm on longest side	2-3 mm on longest side
warpage	-	None		None	None
Theory development	Panini iron cannot heat above 250 C PET needs +260 C,	Bottom heat more quickly, and has more surface contact at beginning, thus flow is more at bottom than at the top	PP has a higher flow rate? Lower viscosity at melting temperature than HDPE?	Low flow rate caused plastic not to spread fast enough, therefore mould did not close and corners were not filled	Longer melting time allowed plastic to spread better. But plastic was already divided better at start.

A.7.3. TESTS 5.1 - 6.2

Test nr	5.1	5.2	5.3	6.1	6.2
Label nr	3.2.1	3.2.2	3.2.3	3.3.1	3.3.2
Test	Thick plates are also possible	Thick plates are also possible with HDPE	Thick plates are also possible with PS		
Denominator	Alu Mould	Alu Mould + vents	Alu Mould + vents	Alu Mould + vents	Alu Mould + vents
Heating apparatus	Panini grill	Panini grill	Panini grill	Panini grill	Panini grill
Mould	Aluminum lasercut mould	Aluminum lasercut mould	Aluminum lasercut mould	Aluminum lasercut mould	Aluminum lasercut mould
Mould thickness setting	20mm	20mm	20mm	10mm + 2mm spacers	10mm + 2mm spacers
Pressure	25kg	25kg	25kg	25kg	25kg
Material	PP	HDPE	PS	HDPE	PP
Plastic shape	Shredded	Shredded	Shredded	Shredded	Shredded
Input material weight (g)	830	850	850	440	410
Material distribution	Evenly	Evenly	Evenly	Evenly	Evenly
PTFE spray	Yes	Yes	Yes	Yes	Yes
Baking paper sheet	No	No	No	No	No
Melting time	1h	1h	1h	40m	40m
Melting temperature	200-250	200-250	200-250	200-250	200-250
Cooling setup	Outside grill inside mould	Outside grill inside mould	Outside grill inside mould	Outside grill inside mould	Outside grill inside mould
Cooling pressure	25kg	25kg	25kg	25kg	25kg
Cooling time	12h	12h	12h	4h	4h
Cooling temperature	4° C	4° C	4° C	-4° C	-4° C
Vent holes layer height	-	20-25	15-20	10-15	10-15
Handling	Normal	Normal	Normal	2mm spacers between mould closing edges	2mm spacers between mould closing edges
Resulting thickness	20,5 - 26,5	20-25	18.7 - 20.0	10.3 - 13	10 - 11.5
Resulting weight of cleaned plate	807,6	828,5	847,5	407,9	393,4
Process notes	The top part of the mould was wiggled and pressed in different corners when the plastic was assumed to be fluid. This was an attempt to even out the plastic and to drive out air bubbles.	The mould would not close to the right thickness, and could not be pressed down further. 3 holes were drilled in the 5th mould layer (25mm high) to allow excess material and air to flow out, this worked only a little bit and the mould would still not completely close. 6mm spacers were inserted in the gap to ensure a level output.	The failed 5mm PS plate was put in this process. Together with the granulate there was an insufficient amount of PS to put in the 960g that was needed. The mould was sanded to remove scratches and sticking plastic pieces before the process.	The mould would not close thus the melting time was increased, hoping that the excess material and air would come out through the vents. Eventually plastic came out through the top opening, suggesting that the pressure forced enough flow and that excess material was the cause for not closing	The material seeped out through all cracks and the mould could not completely close suggesting that the process was not successful.

Test nr	5.1	5.2	5.3	6.1	6.2
Process observations	Mould could not completely close, thickness therefore not even and above 20 mm, result is very crooked.	Mould could not completely close, thickness therefore not even and above 20 mm. The plastic drooping out of the holes seemed to have a very high viscosity and flowed out very slowly.	The mould closed completely		The plastic seeped through all cracks, more fluid than HDPE
Mould opening observations	Mould had to be pried open layer by layer	Even though a easy accessible gap was left open, the mould could not be pried open and had to be screwed apart. The fleshing seems grip the mould stuck.	The mould would not open, not even with disassembly. Only with a chisel and hammer the bottom layer of the mould could be peeled off. Sanding was not a good idea.	Mould had to be disassembled but flat side came loose easily	
Result evaluation	Result looks very nice and solid, but crooked and after cutting through it, large air bubbles showed up	Result looks very nice and solid, but has very large sink marks and after cutting through it, large air bubbles showed up.	Result looks even and flat. Surfaces have a few interruptions, dimples, air gaps.	Result looks even and flat. Surfaces have no interruptions	Result looks even and flat. Surfaces have a few interruptions, air gaps.
Trapped air	Large air bubbles uneven distributed	Large air-bubbles gather just below top surface.	Sporadic small air bubbles, overall good solidity	Big air pockets are revealed when cut open	Sporadic vey small air bubbles, overall good solidity
Surface quality	Smooth and flat, no dimples or holes	Smooth and continuous, but not flat	Looks flat, but Slightly thinner (1.3mm) towards middle. Surface discontinuations, small and medium sized air gaps.	Nice, smooth, continuous surface without interruptions	Nice, smooth, continuous surface with just a few very small superficial air gaps
Flatness	Good	Edges are straight, middle has large height differences	Edges are straight, middle is slightly thinner	Edges are straight, middle is slightly thinner	Edges are straight, middle is slightly thinner
Raised edges	Slightly, more than the 5mm version	Easily noticeable raised edges or lowered middle	Very slightly	Visibly	Slightly
Shrinkage	3-4 mm on longest side	6-7 mm on longest side and sink marks in middle up to 5mm	2-3 mm on longest side	6-7 mm on longest side	3-4 mm on longest side
warpage	None		Edges are straight, middle is slightly thinner	Edges are straight, middle is slightly thinner (1-2 mm)	Edges are straight, middle is slightly thinner (1-1.5 mm)
Theory development	The surfaces of the plastic volume melt first and incapsulate the air, the viscosity of the plastic keeps the bubbles from moving a lot. The surfaces stay continuous due to plastic sticking to the hot mould and surface drag.	Higher viscosity of HDPE makes it harder for air bubbles to move, therefore more air is incapsulated.	the lower flow rate of PS causes the particles to take longer to merge leaving air flow paths open and thus air is able to leave the plastic and the mould.		Lower viscosity allows more flow and allows bubbles to move to the vents and leave the mould

A.7.4. TESTS 7 - 9.2

Test nr	7	8.1	8.2	9.1
Label nr	4.1	4.2.1	4.2.2	5.1
Test				
Denominator	Mould + vents + handling	Mould + vents + handling	Mould + vents + handling	Alu mould + rolling
Heating apparatus	Panini grill	Panini grill	Panini grill	Panini grill
Mould	Aluminum lasercut mould	Aluminum lasercut mould	Aluminum lasercut mould	Aluminum lasercut mould
Mould thickness setting	20mm	10mm	10mm	-
Pressure	25kg	25kg	25kg	-
Material	HDPE	HDPE	HDPE	HDPE
Plastic shape	Shredded	Shredded	Shredded	Shredded
Input material weight (g)	800	450	450	450
Material distribution	Even	Even	Even	Even
PTFE spray	Yes	Yes	Yes	Yes
Baking paper sheet	No	No	No	No
Melting time	1h 20m	1h 40m	40m	40m
Melting temperature	200-250	200-250	200-250	200-250
Cooling setup	Outside grill inside mould	Outside grill inside mould	Outside grill inside mould	Outside grill, inside mould, no lid
Cooling pressure	25kg	25kg	25kg	-
Cooling time	4h	4h	4h	12h
Cooling temperature	-4° C	-4° C	-4° C	6
Vent holes layer height	15-20	5-10	5-10	-
Handling	Melting from top & bottom without top half of the mould, when molten, the mould was closed and "pressurised" with a cold top mould part.	Melting from bottom without top half of the mould. Top would not melt then top was also heated for 20 minutes, then top part of mould was placed and heated and pressed.	Melting from both sides with closed mould. Pressed 25kg during melting process. Afterwards pressurised cooling with glue clamps	Melting from both sides with open mould. Pressed after cooling by rolling over with a cyclinder
Resulting thickness	22	8.55 - 10.1	8.3 - 10	3 - 18
Resulting weight of cleaned plate	783,4	369,3	378,2	450
Process notes	The open mould was heated from both sides.	Melting from bottom without top half of the mould. Top would not melt then top was also heated for 20 minutes, then top part of mould was placed and heated and pressed. The mould would not close and thus glue clamps were used to exert pressure.	The mould would not close and thus glue clamps were used to exert pressure.	After applying rolling pressure, the plastic was quite flat and straight. Major deformations occurred while cooling
Process observations	Although not put under pressure, also the top layer of the granulate was molten before the middle.	Heating from bottom side with open topside did not melt till top layer of granulate. With glue clamp pressure, the mould was bending outwards and plastic came drooping out of every seam.	With glue clamp pressure, the mould was bending outwards and plastic came drooping out of every seam.	The Outer surface of the plastic solidified to the coach of the aluminum roller. This created solidified rippling effects
Mould opening observations	The mould had to be disassembled to get the plate out.	Mould had to be disassembled but came loose nicely.	Mould had to be disassembled but came loose nicely.	the mould was not closed of for cooling thus the result was open to the view, it came loose very easily from the bottom mould half

Test nr	7	8.1	8.2	9.1
Result evaluation	The result looked and felt solid except for the top surface which was ugly and no continuous. Air was trapped at the surface.	Result looks good, the top side feels a bit grainy, it might have needed some more melting time.	Result looks good, the bottom side feels a bit grainy.	the result is very bad, although the surface is very shiny, it has no consistency at all.
Trapped air	Also air was trapped in the middle of the plaque	Only a few small air bubbles	Only a few small air bubbles	Although the result is horrible, the amount of trapped air is less than earlier tests without pressure
Surface quality	the bottom surface was continuous and smooth, with some sinks of 1-2mm the top surface was rubbish	Bottom surface is nice and smooth, top surface is somewhat grainy.	Top surface is nice and smooth, bottom surface is somewhat grainy.	Shiny but ripped and very random
Flatness	the overall flatness is quite OK but top surface has huge discontinuation and the bottom surface has visible sinks	Overall good flatness but the middle is thinner than edges	Overall good flatness on top side, but the middle is thinner than edges drawing sink from the bottom side.	No flatness
Raised edges	Clearly visible raised edges 1-2 mm	Slightly	Slightly	Raised edges
Shrinkage	6-7 mm on longest side and sink marks in middle up to 2mm	6-7 mm on longest side	6-7 mm on longest side	6-7 mm on longest side
warpage	Edges are straight, middle is slightly thinner (1-2 mm)	Edges are straight, middle is slightly thinner (1-1.6 mm)	Edges are straight, middle is slightly thinner (1-1.7 mm)	the middle is raised, bulking upwards
Theory development	Two sided heating trapped air in the middle. Sinks in the middle are caused by uneven cooling & shrinkage a	The pressure helped to push all excess material out of the mould creating flow thus also pushing air out. Air might also have been compressed into smaller bubbles and stay trapped in under pressure. Melting from with open top and heat from bottom created a pool of molten plastic in which melting granulate sunk in, leaving the air above the pool.	The pressure helped to push all excess material out of the mould creating flow thus also pushing air out. Air might also have been compressed into smaller bubbles and stay trapped in under pressure. Melting from with open top and heat from bottom created a pool of molten plastic in which melting granulate sunk in, leaving the air above the pool.	Cooling to the air is not a good idea, rolling does seem to remove air
Course		Isolate air removal trick	Isolate air removal trick	

A.8. CREATIVE SESSION - IDEATION

Session plan:

5 min.
Energiser

2 min.
Agenda

2 min.
Explaining goals

5 min.
Purge brainstorm

3 min.
H2 Selection

21 min.
H2 brain writing

5 min.
Selection criteria brainstorm

10 min.
Concept forming in teams

5 min.
Present the best

58 min.
Done

A.9. PROOF OF CONCEPTS TEST DOCUMENTATION

Test nr	9.2	9.3	10.1	10.2
Label nr	5.2	5.3	6.1	6.2
Test				
Denominator	Steel mould + oven + roller	Steel mould + oven + roller	Steel mould + oven + roller	
Heating apparatus	Oven	Oven	Oven	Oven
Mould	Folded sheet metal mould with removable height walls	Folded sheet metal mould with removable height walls	Folded sheet metal mould with removable height walls	Folded sheet metal mould
Mould thickness setting	12mm	12mm	12mm	12mm
Pressure	Fixed roller	Fixed roller	Handpress	Handpress
Material	HDPE	HDPE	HDPE	HDPE
Plastic shape	Shredded	Shredded	Shredded	Shredded
Input material weight (g)	650	650	670	700
Material distribution	Even	Even	Even	Even
PTFE spray	Yes	Yes	Yes	Yes
Baking paper sheet	No	No	No	No
Melting time	1h	1h	1h	1h
Melting temperature	230	230	230	230
Cooling setup	inside mould under pressure of steel block	inside mould under pressure of steel block	inside mould under pressure of steel block	inside mould under pressure of hand press
Cooling pressure	40kg	40kg	?	?
Cooling time	2h	2h	2h	1h
Cooling temperature	20	20	20	20
Vent holes layer height	-	-	-	-
Handling	Melting in mould without lid, when molten lid was put on and heated. Then mould was taken out and carried to roll press. Boarder was removed and lid put back on and then it was rolled to 12mm	Melting in mould without lid, when molten lid was put on and heated. Then mould was taken out and carried to roll press. Boarder was removed and lid put back on and then it was rolled to 12mm	Melting in oven without lid. When molten add lid and heat. Take out and cary to press, remove lid and walls, place back lid, put in press and press.	Melting in oven with lid. When molten, take out and cary to press, place pressing block, put in press and press.
Resulting thickness	5 - 16	9 - 14.5	12.9 - 14.1	12.8 - 13.1
Resulting weight of cleaned plate	551,7	547,8	669,3	696,1
Process notes	Removing mould parts was a hassle and cooled down parts did not stick to the plastic, which made it un smooth also the plastic surface immediately solidified when open to air .	Removing mould parts was a hassle and cooled down parts did not stick to the plastic, which made it un smooth also the plastic surface immediately solidified when open to air. To improve the result a stiff board was put under the mould to ensure the rollers would not bend the mould.	Removing the lid and the walls was a hassle and was very troublesome. It took too much time and cooling down the lid resulted in bad surface quality. Als caused by a lack of time, not all of the plastic was molten.	With the lid on the plastic was out of sight but by looking gat the lid hight the melt stage could be deducted.
Process observations	When rolling the plastic just moved away from the pressure, not building up pressure	When rolling the plastic just moved away from the pressure, not building up pressure	melting without lid seemed to take longer than with lid	melting with lid seemed to speed up the melting process
Mould opening observations	Fresh sheet metal had a nice smooth surface and thus plastic plate got released quite easily	Fresh sheet metal had a nice smooth surface and thus plastic plate got released quite easily	Fresh sheet metal had a nice smooth surface and thus plastic plate got released quite easily	Fresh sheet metal had a nice smooth surface and thus plastic plate got released quite easily

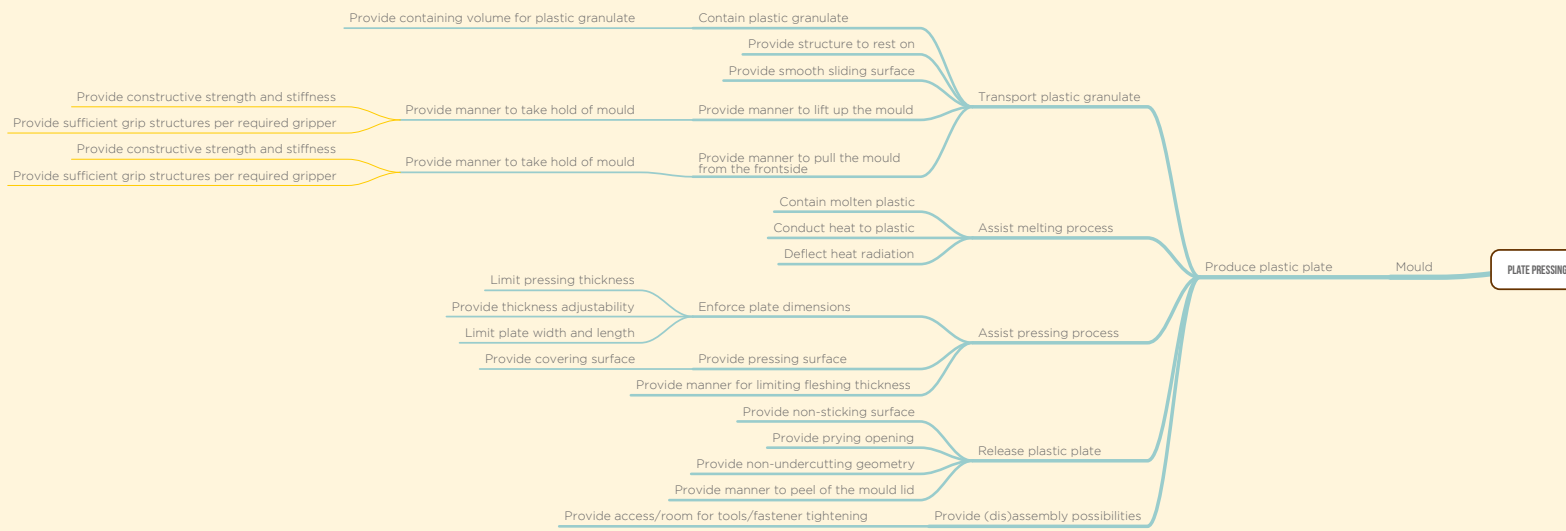
Test nr	9.2	9.3	10.1	10.2
Result evaluation	The result is not so good, although all of the air is removed. But the surface quality is very bad and the thickness varies a lot	The result is not so good, although all of the air is removed. But the surface quality is very bad and the thickness varies a lot. But it is better than the first try	Although the result was not nice, the process seemed promising	Very nice
Trapped air	No trapped air can be found	No trapped air can be found	Only a few tiny air bubbles got trapped, especially where the were unmolten granulate pieces	Very few very small air pockets
Surface quality	Bad, a lot of ripples and dimples	Bad, a lot of ripples and dimples	Bottom surface is very nice, top surface very bad, due to fliesvorming and unmolten granulate	very nice surface equality bottom better than top, top has small dimples
Flatness	Bottom surface has a smooth continuous surface but is bent upwards	Bottom surface has a smooth continuous surface but is bent upwards	Flatness is ok, but mould bend is visible and cooling was not optimal for avoiding warpage	Very good flatness
Raised edges	Not to much	Not to much	Not so much	Not so much
Shrinkage	not measured	not measured	not measured	not measured
warpage	Corners are warped upwards	Corners are warped upwards	Visible warpage	Visible warpage
Theory development	Removing the lid cools it down and when put back it cools the plastic, the surface needs to be 'molten' when pressed	when pressing takes too much time, dlarge temperature differences cause bad spread and surface quality, causing ripples	Taken out to hot and bent mould	Taken out to hot
Course		Rolling with simple materials is not easy		

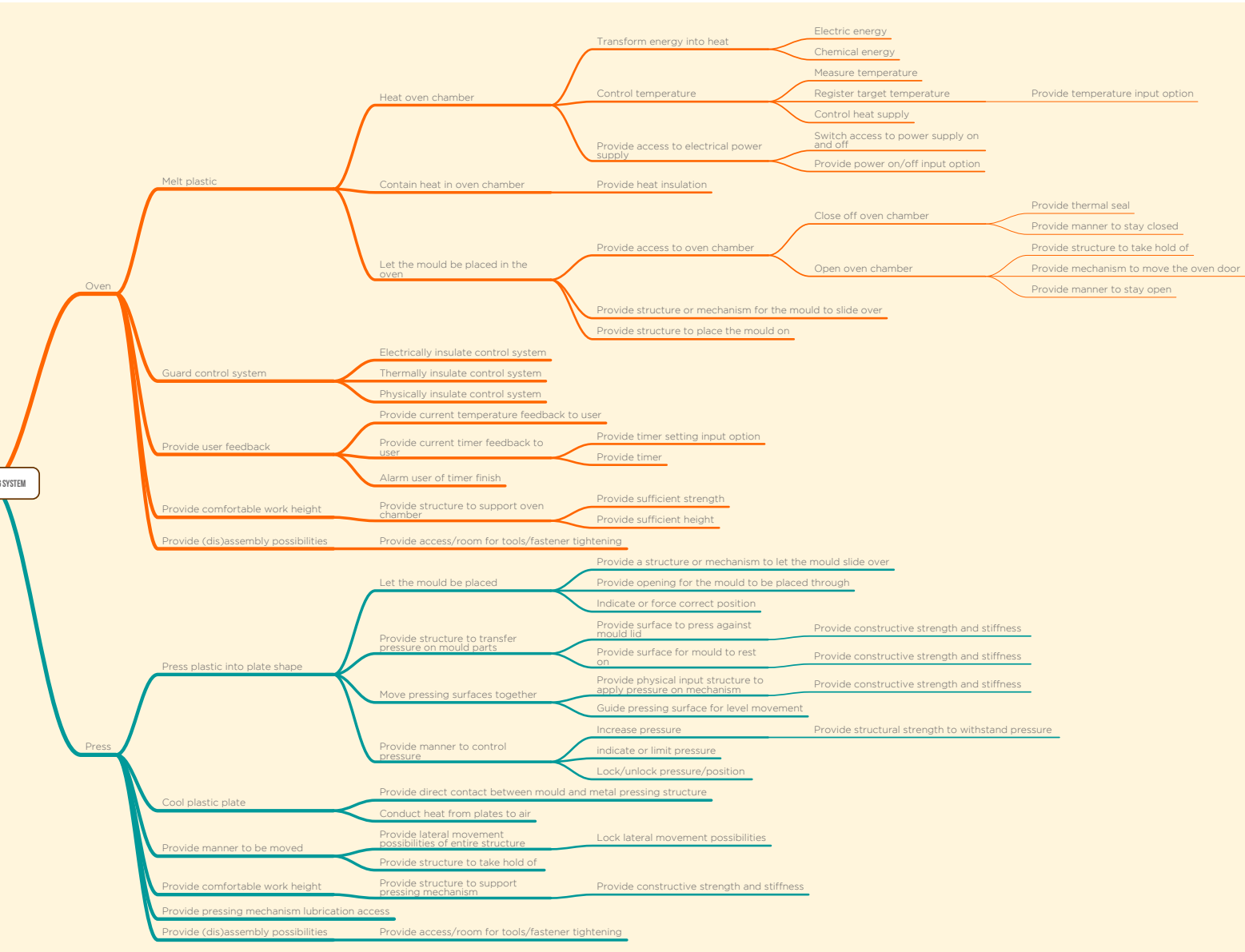
A.10. PROCESS TREE

level0	level1	level2	level3	level4	level5		
Process tree	Produce	Gather the required materials	Know which materials are required				
			Know where to find the required materials				
		Be able to find the required materials					
		Transport the required materials					
		Find the required production machinery and tools	Know which production machinery and tools are needed				
	Know where to find the required machinery and tools						
	Be able to find the required machinery and tools						
	Process the materials	Know what transformation the materials need to undergo					
	Assemble the parts	Transform or let transform the materials					
		Know how the parts fit together					
	Be able to fit the parts together						
	Check the result	Know what to check					
		Know when it is right or wrong					
	Transport	Move the products/parts					
		Fit the product/parts through the door					
		Lift the product/parts					
		Set the product/parts down					
	Assemble the main parts	Secure the product/parts					
		Know how the parts fit together					
	Fit parts together						
	Secure fasteners						
	Use	Prepare the mould	Acquire the required plastic input	Know the requirements for the plastic input			
				Preprocess the plastic input	Sort		
					Clean		
			Shred				
			Transport input material to mould				
			Retrieve the mould	Pick up the mould			
				Transport the mould to the preparation station			
			Set the mould down				
			Input the plastic	Portion the right amount			
				Transport the plastic	Contain the plastic		
		Distribute the plastic					
		Cover the plastic					
		Melt the plastic	Preheat the oven	Turn on the oven			
				Know the right temperature			
				Set the oven to the right temperature			
				Know the right heating time			
				Set timer to the right time			
			Wait				
			Insert the mould into the oven	Transport the mould to the oven			
				Open the oven door	Take hold of oven door		
				Pull oven door open			
			Slide the mould inside the oven				
		Close the oven door					
		Set timer	Know the right heating time				
		Set timer to the right time					
		Let the oven heat up the mould and the	Wait				
			Know when time has past				
			Be alarmed				
		Retrieve the mould from the oven	Protect hands against heat				
			Open the oven door				
			Take hold of the mould				
		Pull the mould out					
		Close the oven door					
		Press the plastic plate	Transport the mould to the press	Protect hands against heat			
				Move the mould to the press			
				Move the pressing surfaces apart			
			Insert mould into the press	Protect hands against heat			
				Slide mould onto pressing surface			
			Position the mould	Know what the right position is			
				Take hold of the mould			
			Move the mould to the right position				
			Press the plate	Move the pressing surfaces on to the mould lid			
				Increase the pressure			
		Know when the pressure is right					
		Stop increasing the pressure					
		Lock the pressure/position					
		Leave the plate to cool	(Turn on cooling device)				
			Wait				
		Retrieve the plate and mould	Unlock the pressure/position				
			Move the pressing surfaces apart				
			Take hold of the mould				
		Pull the mould out					
		(Cool the plastic plate)	Transport mould to the cooling station				
			Insert mould into cooling station	Move the pressing surfaces apart			
				Slide mould onto stack of plates			
		Move the pressing surfaces back to pressing position					
		Leave the plate to cool					
		Retrieve the moulds and plates					
		Retrieve the plastic plate	Open mould	Take hold of the mould lid			
				Peel the mould lid of the plastic plate			
			Remove the mould lid				
			Retrieve plate from the mould	Take hold of plastic plate edge			
				Peel the plastic plate of the mould			
		Remove the plastic plate					
		Set the plastic plate down					
		Remove finishing					
		Store plastic plate					
		Clean the mould	Disassemble mould				
			Scrape off plastic residue				
			Re-polish damaged spots				
		Fit back together					
		Store the mould	Transport mould				
			Stack moulds				
		Maintain	Lubricate	Know when to lubricate			
				Know what lubrication substance to use			
				Retrieve lubrication substance			
				Know what parts to lubricate			
				Know where to lubricate			
		Clean	Input/apply lubrication substance				
Know when it is ok							
Know when to clean							
Know what to clean							
Know how to clean							
Reach at cleaning areas							
Remove cleaning substance and debris							
Repair		Know when to repair					
		Replace parts	Know what to replace				
			Gather the required tools				
			Disassemble	Locate fasteners			
				Loosen fasteners			
Remove fasteners							
Remove part(s)							
Reassemble		Place fasteners					
		Tighten fasteners					

P.T.I. Nr.	Functions	System part	Requirement
1.1.0.0	Provide a BOM	Instruction manual bundle	-
1.1.2.0.0	Provide sourcing suggestions with BOM	Instruction manual bundle	-
1.1.3.0.0	>	All	Include only widely available materials
1.1.4.0.0	-	Outside Project Scope (OPS)	-
1.2.1.0.0	Provide list of required machinery & tools	Instruction manual bundle	-
1.2.2.0.0	Provide sourcing suggestions with BOM	Instruction manual bundle	-
1.2.3.0.0	>	All	Include only widely available machinery & tools
1.3.1.0.0	Provide production instructions	Instruction manual bundle	-
1.3.2.0.0	>	All	All parts should be produceable
1.4.1.0.0	Provide assembly instructions	Instruction manual bundle	-
1.4.2.0.0	Provide structure for connections	All	-
1.5.1.0.0	Include construction varification instructions	Instruction manual bundle	-
1.5.2.0.0	Include construction varification instructions	Instruction manual bundle	-
2.1.2.0.0	>	All	All production parts and subassemblies should be movable
2.2.2.0.0	-	O.P.S	-
2.3.2.0.0	-	O.P.S	-
2.4.2.0.0	-	O.P.S	-
2.5.2.0.0	-	O.P.S	-
3.1.2.0.0	Provide assembly instructions	Instruction manual bundle	-
3.2.2.0.0	Provide structure for connections	All	-
3.3.2.0.0	Provide room for tools for securing fasteners of (sub-)assemblies	All	-
4.1.1.0	Provide user instruction manual	Instruction manual bundle	-
4.1.1.2.1	-	O.P.S	-
4.1.1.2.2	-	O.P.S	-
4.1.1.2.3	-	O.P.S	-
4.1.1.3.0	-	O.P.S	-
4.1.2.1.0	Provide structure to take hold of mould	Mould	-
4.1.2.2.0	Provide right grip/weight ratio	Mould	-
4.1.2.3.0	Provide structure to be set down on	Mould	-
4.1.3.1.0	-	O.P.S	-
4.1.3.2.1	-	O.P.S	-
4.1.4.2.0	Provide plastic distribution manner	mould/extra tool	-
4.1.5.2.0	Provide mould cover	mould	-
4.2.1.1.0	Provide power-on input option	Oven	-
4.2.1.2.0	Include temperature settings to user instruction manual	Instruction manual bundle	-
4.2.1.3.0	Provide temperature control input option	Oven	-
4.2.1.4.0	Include heating time settings to user instruction manual	Instruction manual bundle	-
4.2.1.5.0	Provide timer control input option	Oven	-
4.2.1.6.0	-	-	-
4.2.2.1.0	Provide transportation	Oven	-
4.2.2.2.1	Provide structure to take hold of oven door	Oven	-
4.2.2.2.2	Provide moving possibility for oven door to open/close	Oven	-
4.2.2.3.0	Provide smooth sliding structure or mechanism in oven	Oven	-
4.2.2.4.0	Provide manner for oven door to stay closed	Oven	-
4.2.3.1.0	Include heating time settings to user instruction manual	Instruction manual bundle	-
4.2.3.2.0	Provide timer control input option	Oven	-
4.2.4.1.0	-	O.P.S	-
4.2.4.2.1	Provide alarming method	Oven	-
4.2.5.1.0	Include thermal gloves in user instructions	Instruction manual bundle	-
4.2.5.2.0	Provide manner for oven door to stay open	oven	-
4.2.5.3.0	Provide structure to take hold of mould on front side	mould	-
4.2.5.4.0	Provide smooth sliding structure or mechanism in oven	oven	-
4.2.5.5.0	Provide manner for oven door to stay closed	oven	-
4.3.1.1.0	Include thermal gloves in user instructions	Instruction manual bundle	-
4.3.1.2.0	Provide manner for the mould to be transported	Mould transport table	-
4.3.2.1.0	Provide manner for the pressing surfaces to be moved apart	Press	-
4.3.2.2.0	Include thermal gloves in user instructions	Instruction manual bundle	-
4.3.2.3.0	Provide smooth sliding structure or mechanism on press	Press	-
4.3.3.1.0	Providemould positioning indications or limitations	Press	-
4.3.3.2.0	Provide structure to take hold of mould	mould	-
4.3.3.3.0	Provide smooth sliding structure or mechanism on press	Press	-
4.3.4.1.0	Provide manner for the pressing surfaces to be moved together	Press	-
4.3.4.2.0	Provide manner to increase the pressure on the pressing surfaces	Press	-
4.3.4.3.0	Provide pressure limit or indication	Press	-
4.3.4.4.0	Provide manner to stop the pressure increasments	Press	-
4.3.4.5.0	Provide manner to lock the pressure and position	Press	-
4.3.5.1.0	(Provide cooling device)	Press	-
4.3.5.2.0	-	O.P.S	-
4.3.6.1.0	Provide manner to unlock the pressure and position	Press	-
4.3.6.2.0	Provide manner for the pressing surfaces to be moved apart	Press	-
4.3.6.3.0	Provide structure to take hold of mould	Mould	-
4.3.6.4.0	Provide smooth sliding structure or mechanism on press	Press	-
4.4.1.0.0	Provide manner for the mould to be transported	Press	-
4.4.2.1.0	Provide manner for the pressing surfaces to be moved apart	Cooling station	-
4.4.2.2.0	Provide smooth sliding structure or mechanism on mould transport table	Mould transport table	Moulds should be stackable
4.4.2.3.0	Provide manner for the pressing surfaces to be moved together	Cooling station	-
4.4.3.0.0	-	O.P.S	-
4.4.4.0.0	# Reversed order of inserting moulds #	Cooling station	-
4.5.1.1.0	Provide structure to take hold of mould lid	mould	-
4.5.1.2.0	Provide non-sticking surface quality	mould	-
4.5.1.3.0	-	O.P.S	-
4.5.2.1.0	Provide manner to take hold of plate edge	Mould/extra tools/instructions	-
4.5.2.2.0	-	O.P.S	-
4.5.2.3.0	-	O.P.S	-
4.5.3.0.0	-	O.P.S	-
4.5.4.0.0	Provide process attribute(s) that limits fleshing thickness	Mould/Press/Plate	Fleshing must be able to be cut off with a sharp knife max 1mm
4.5.5.0.0	>	Plate	Plastic plate output should be stackable after fleshing removal
4.6.1.0.0	Provide manner to take apart the seperate parts of the mould	mould	-
4.6.2.0.0	-	O.P.S	-
4.6.3.0.0	-	O.P.S	-
4.6.4.0.0	Provide manner to fit seperate parts of the mould back together	mould	-
4.7.1.0.0	Provide structure to take hold of mould	mould	-
4.7.2.0.0	Provide clearance to stack moulds	mould	-
5.1.1.0.0	Include lubrication instructions in usermanual	Instruction manual bundle	-
5.1.2.0.0	Include lubrication instructions in usermanual	Instruction manual bundle	-
5.1.3.0.0	-	O.P.S	-
5.1.4.0.0	Include lubrication instructions in usermanual	Instruction manual bundle	-
5.1.5.0.0	Include lubrication instructions in usermanual	Instruction manual bundle	-
5.1.6.0.0	Provide opening for lubrication input	press	-
5.1.7.0.0	Include lubrication instructions in usermanual	Instruction manual bundle	-
5.2.1.0.0	Include cleaning instructions in usermanual	Instruction manual bundle	-
5.2.2.0.0	Include cleaning instructions in usermanual	Instruction manual bundle	-
5.2.3.0.0	Include cleaning instructions in usermanual	Instruction manual bundle	-
5.2.4.0.0	Provide open structure	all	-
5.2.5.0.0	provide opening to remove sleaning substances and debris	all	-
6.1.1.0.0	-	O.P.S	-
6.2.1.0.0	Include failure/ repair table in instructions	Instruction manual bundle	-
6.2.2.0.0	-	O.P.S	-
6.2.3.1.0	Provide manner to disassemble parts	all	-
6.2.3.2.0	Provide manner to disassemble parts	all	-
6.2.3.3.0	Provide manner to disassemble parts	all	-
6.2.3.4.0	Provide manner to disassemble parts	all	-
6.2.4.1.0	Provide manner to resassemble parts	all	-
6.2.4.2.0	Provide manner to resassemble parts	all	-

A.11. FUNCTION ANALYSIS





A.12. PRESSING FORCE CALCULATION

With a force measuring device, the pulling force exerted on the spindle handle during the pressing process was measured. This pulling force was measured to reach a maximum of 500 N and was exerted on the handle, 350mm removed from the spindles axle.

[> *restart*

Bookpress measurements

[> $L_b := 0.5$ $L_b := 0.5$ (1)

[> $B_b := 0.5$ $B_b := 0.5$ (2)

[> $A_b := L_b \cdot B_b$ $A_b := 0.25$ (3)

[> $r_b := 0.35$ $r_b := 0.35$ (4)

Bookpress parameters

[> $F_{inb} := 500$ $F_{inb} := 500$ (5)

[> $T_b := F_{inb} \cdot r_b$ $T_b := 175.00$ (6)

Platepress measurements

[> $L_p := 1.22$ $L_p := 1.22$ (7)

[> $B_p := 1.22$ $B_p := 1.22$ (8)

[> $A_p := L_p \cdot B_p$ $A_p := 1.4884$ (9)

[> $r_p := 1.2$ $r_p := 1.2$ (10)

Platepress parameters

[> $F_{inp} := 500$ $F_{inp} := 500$ (11)

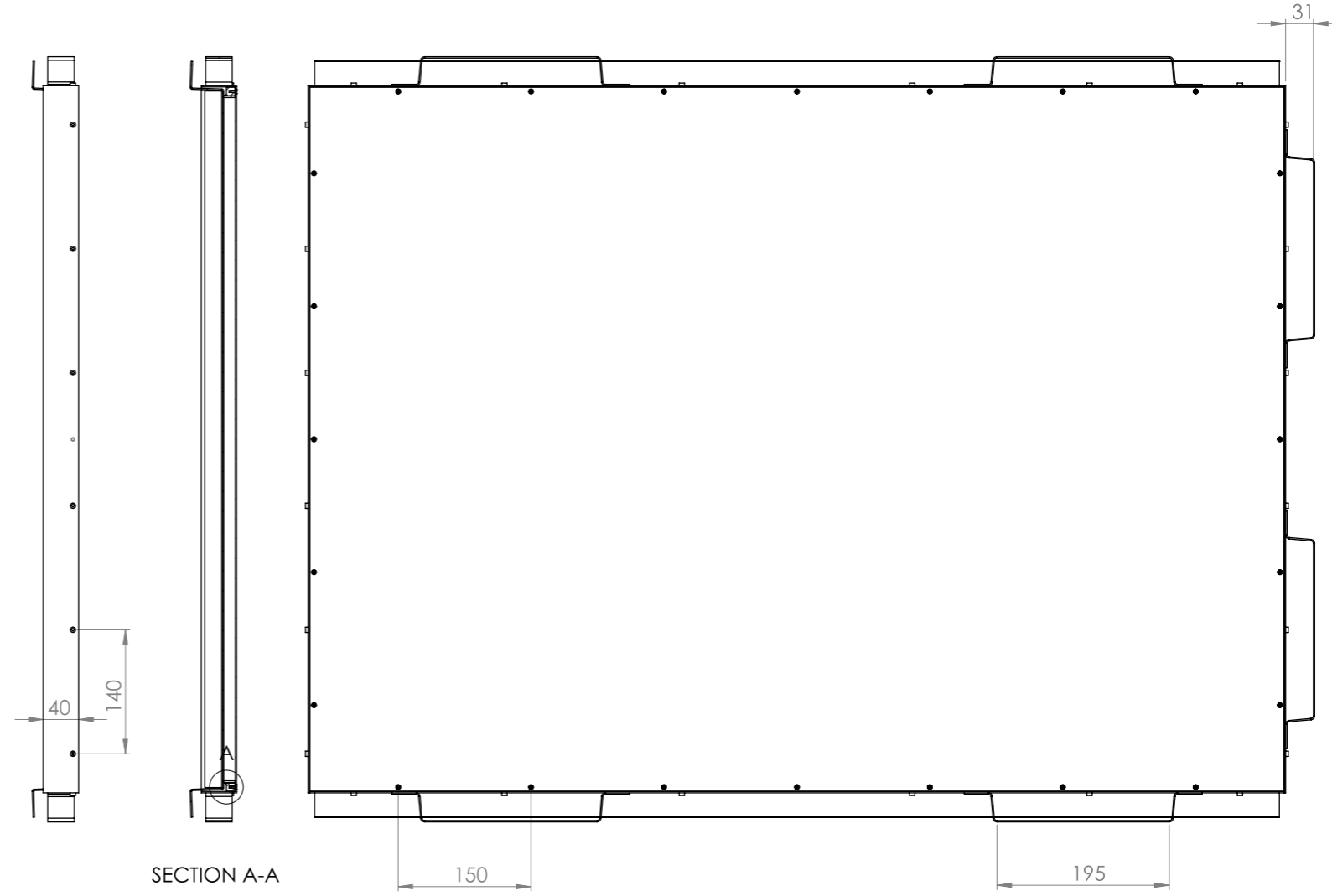
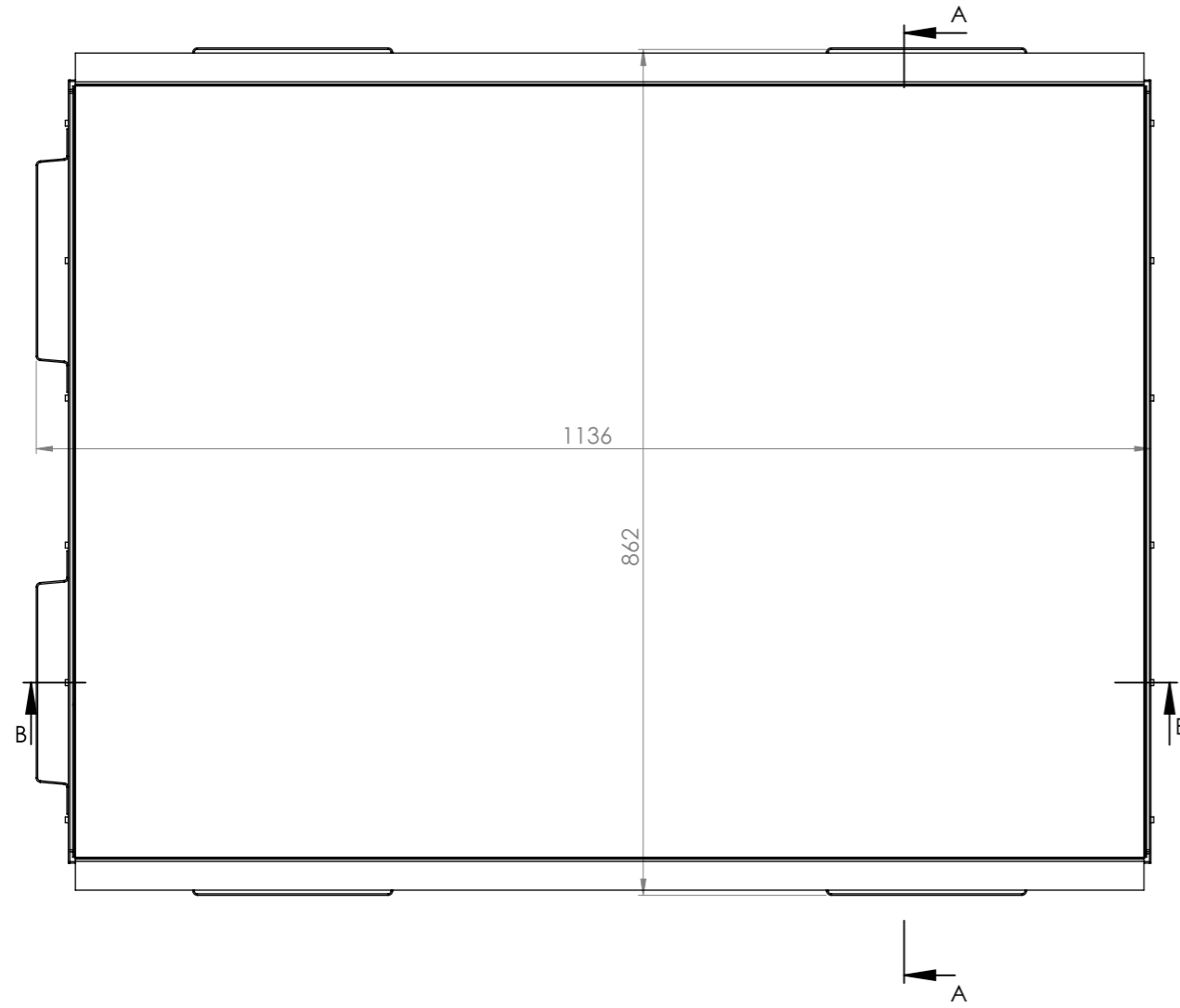
[> $n := 2$ $n := 2$ (12)

[> $T_p := n \cdot F_{inp} \cdot r_p$ $T_p := 1200.0$ (13)

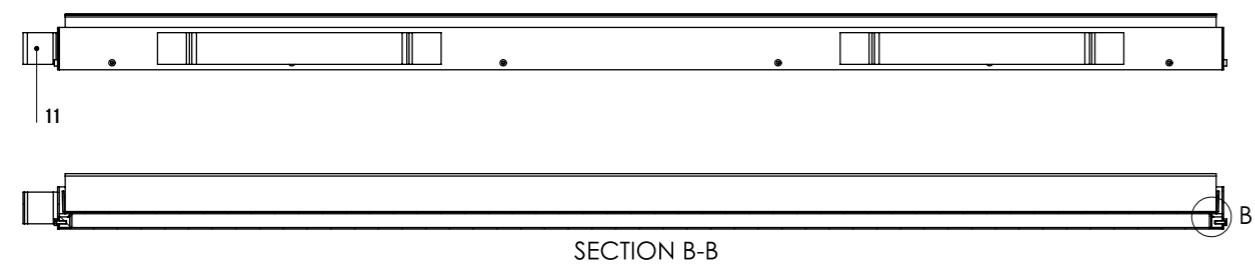
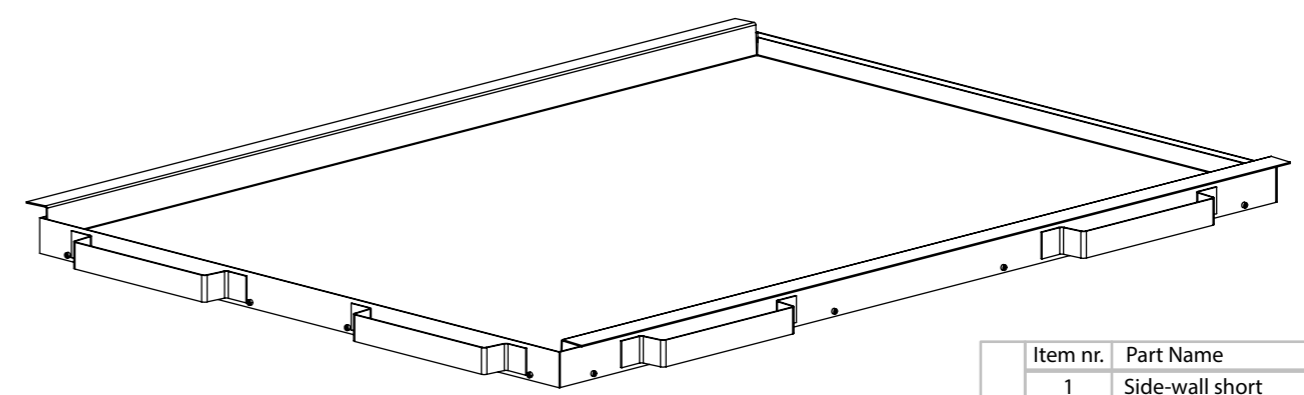
Spindle measurements

[> $D_{outer} := 0.0375$ $D_{outer} := 0.0375$ (14)

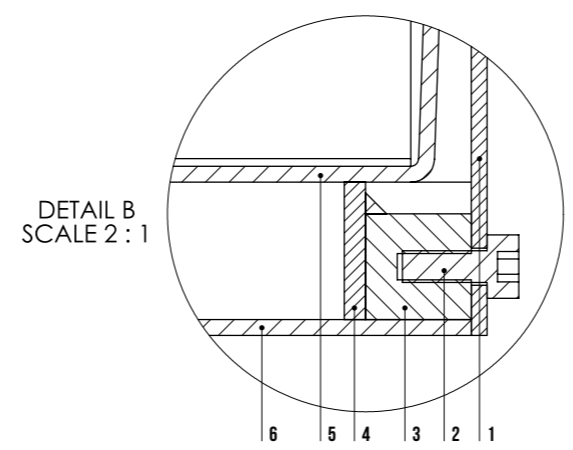
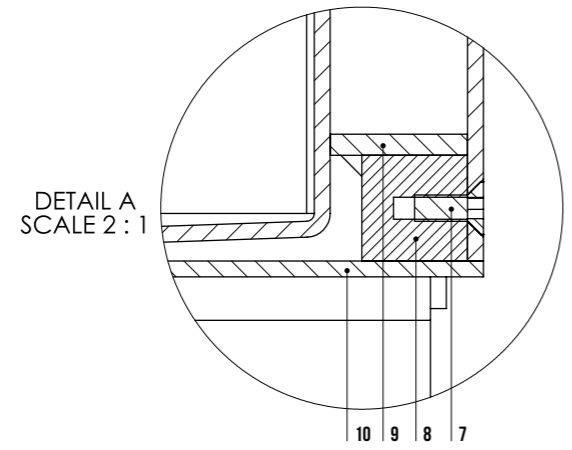
A.13. MOULD PROTOTYPE 1, ASSEMBLY DRAWING



SECTION A-A



SECTION B-B



Item nr.	Part Name	Amount
1	Side-wall short	2
2	M3 - cylindrical head	24
3	Frame bar long	2
4	Cut-off-edge short	2
5	Lid	1
6	Baseplate	1
7	M3 - Countersunk head	24
8	Frame bar short	2
9	Cut-off-edge long	2
10	Side-wall long	2
11	Handle	6

UNLESS OTHERWISE SPECIFIED: DIMENSIONS ARE IN MILLIMETERS SURFACE FINISH: TOLERANCES: LINEAR: ANGULAR:	DEBURR AND BREAK SHARP EDGES	TITLE: Mould Prototype 1	
	MATERIAL: Steel	DWG NO. 1	A3
WEIGHT: 24748 gr	Scale 1:10	SHEET 1 OF 1 DO NOT SCALE DRAWING	

A.14. BOTTLE JACKS

Bottle jacks are devices that can be placed underneath a heavy object that needs lifting and can then be operated to lift up the object by hydraulic pressure. The jacks come with a rod that can be used to move an oil pump up and down which pumps oil from the reservoir/ bottle to the cylinder chamber underneath the ram. When the cylinder chamber is filled with oil, the ram moves up and with it the object that rests on the ram end. The lifting power is defined by the maximum pressure that can be put on the oil in the cylinder chamber and the area size of the ram bottom. A ram of 4cm diameter has a bottom area size of $\text{Pi} * 0,02^2 = 0,00125664$. That multiplied by 700 bar which is a common maximum pressure of bottle jacks, results in a maximum output force of 88 kN or 8.8 Tonnes.

These bottle jacks come in different sizes and strengths, mostly the force ratings are expressed in Tons, which is not the same as tonnes, 1 ton \approx 0.9072 tonne. Bottle jack strengths commonly use increments of multiplications of 5 or 8 tons. Next to the force selection, the size has two options in general, regular or extended. The regular size jacks typically have a stroke of about 10-20 cm and the extended 'long ram jacks' a stroke of 30-50 cm. Of the extended type, fewer force options are available, mostly 1, 3, 5, 8, 10 and 16 tons.

Some bottle jacks are fitted with an air pump that can quickly pump the oil and thus move the cylinder without the need for the hand pump. The air pump works on pneumatic air pressure that can be supplied by a compressor for example. Figure XX features a bottleneck with such an air pump.

Figure XX shows a range of cylinders next to each other including a long ram jack and a bottle jack with an air pump.

Image by <http://www.kwipped.com/rentals/material-handling/bottle-jacks/503>
& <https://www.surpluscenter.com/Hydraulics/10-000-PSI-Power-Team-Components/Jacks/8-Ton-19-25-Stroke-Flat-Base-Valley-Long-Ram-Jack-9-8721-F.axd>
& https://www.northerntool.com/shop/tools/product_200641747_200641747



A.15. SLIDING OR SETTING CALCULATION

$$(1): \quad \sum F_y = 0 : F_{P2} + F_{By} + F_{Dy} = 0$$

$$(2): \quad \sum F_x = 0 : F_{Dx} - F_{Bx} = 0 : F_{Dx} = F_{Bx}$$

$$(3): \quad \sum M_D = 0 : F_{Bx} \cdot a + F_{P2} \cdot d + F_{By} \cdot b = 0$$

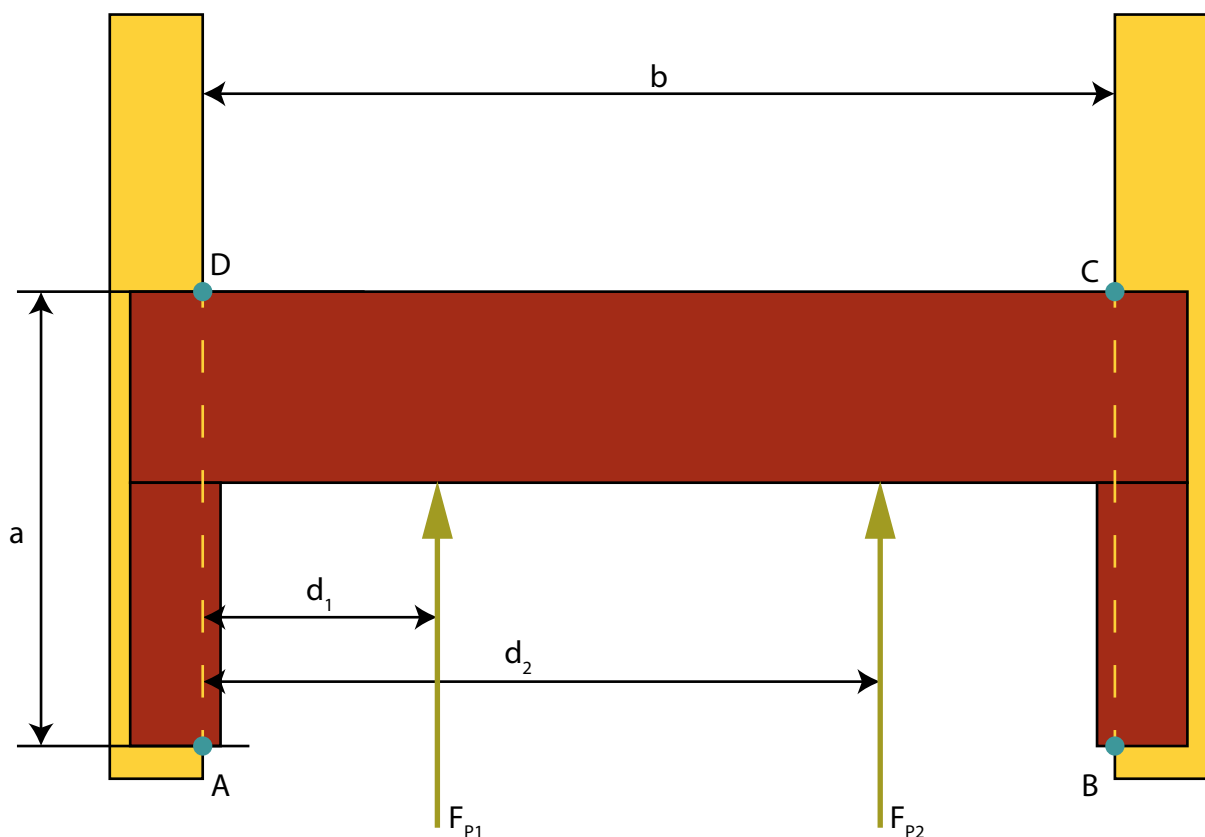
$$(4): \quad F_{By} = k \cdot F_{Bx} : F_{Bx} = \frac{F_{By}}{k}$$

$$(5): \quad F_{Dy} = k \cdot F_{Dx} : F_{Dx} = \frac{F_{Dy}}{k}$$

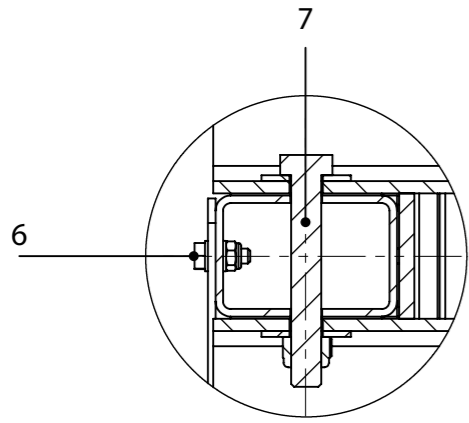
$$(6): (2)(4)(5) : \quad F_{Dy} = F_{By}$$

$$(7): (1)(6) : \quad F_{P2} = -2F_{By}$$

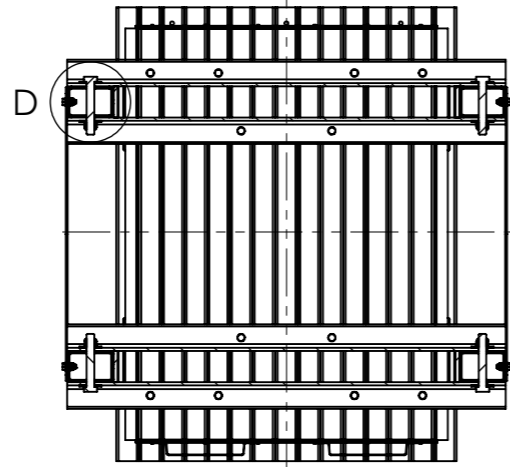
$$(8): (3)(4)(7) : \quad a = k(2d - b)$$



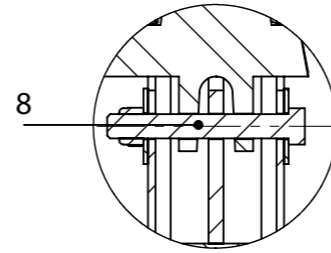
A.16. PRESS PROTOTYPE ASSEMBLY DRAWING



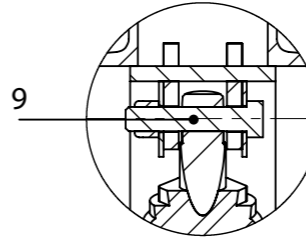
DETAIL D
SCALE 1 : 5



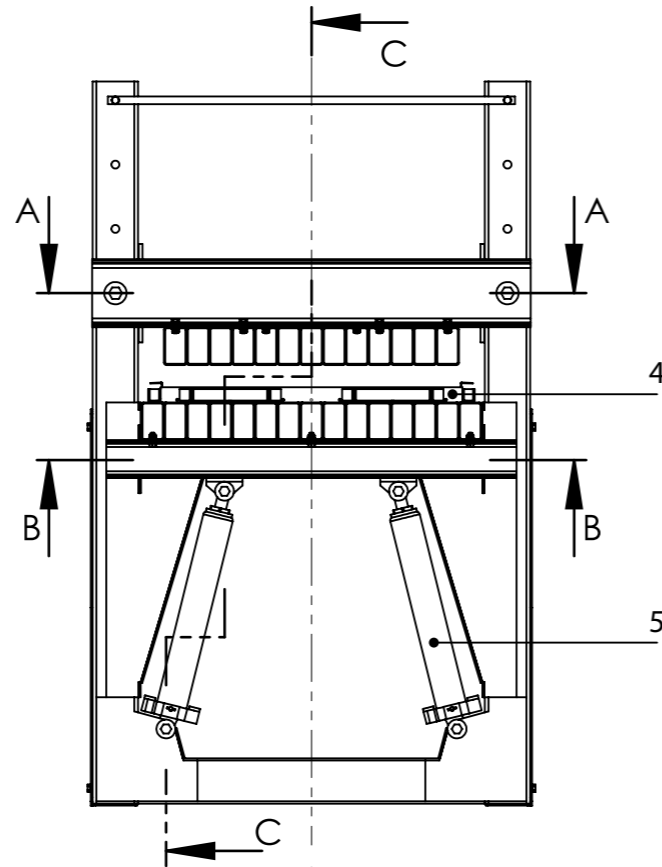
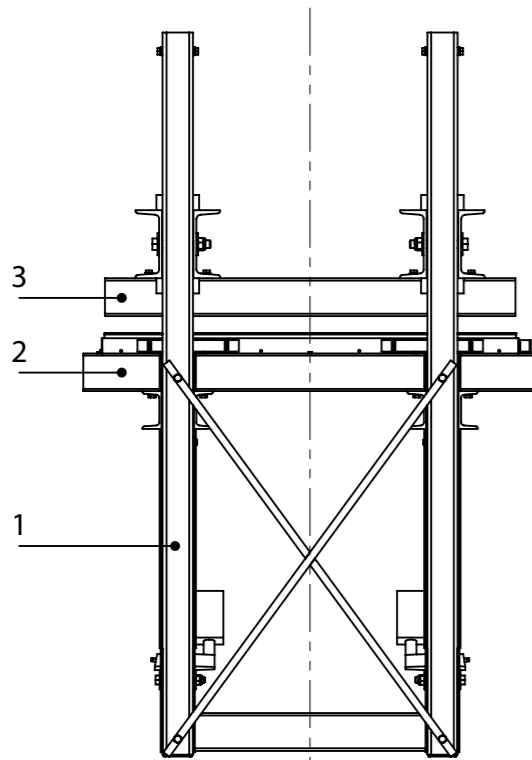
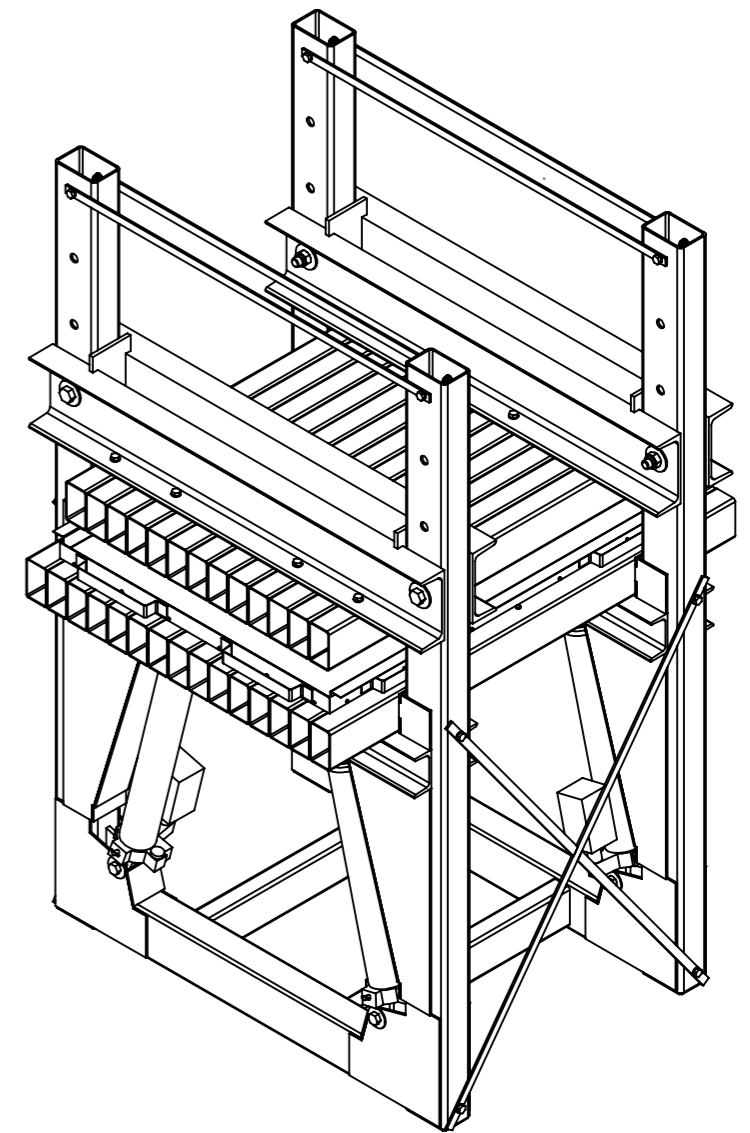
SECTION A-A



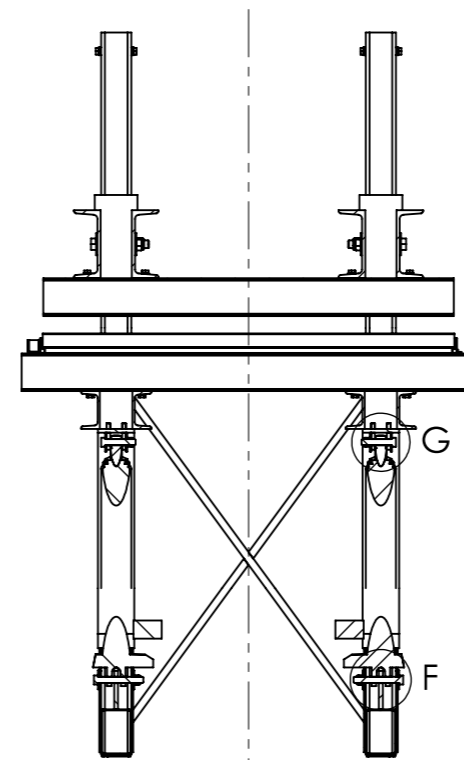
DETAIL F
SCALE 1 : 5



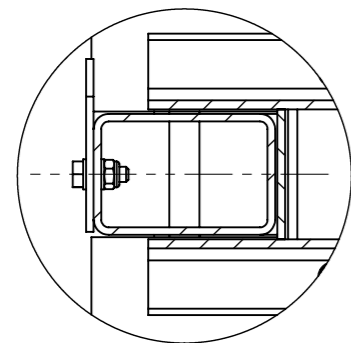
DETAIL G
SCALE 1 : 5



SECTION B-B



SECTION C-C



DETAIL E
SCALE 1 : 5

Item nr.	Part Name	QTY.
1	Press Frame - sub-assembly	1
2	Press bed - sub-assembly	1
3	Press roof - sub-assembly	1
4	Mould	1
5	Hydraulic jack	4
6	M10 bolt 30 + Rings + Nylon nut	40
7	M20 bolt 140 + Rings + Nylon nut	4
8	M16 bolt 120 + Rings + Nylon nut	4
9	M16 bolt 80 + Rings + Nylon nut	4

UNLESS OTHERWISE SPECIFIED:
DIMENSIONS ARE IN MILLIMETERS
SURFACE FINISH:
TOLERANCES:
LINEAR:
ANGULAR:

DEBURR AND
BREAK SHARP
EDGES

TITLE:

Press Prototype 1

MATERIAL:

Steel

DWG NO.

1

A3

WEIGHT:

343692 gr

Scale 1:20

SHEET 1 OF 1

DO NOT SCALE DRAWING

A.17. PROTOTYPE MATERIALS LIST

Section	Type	Specification	Change size?	length	width	Amount
Steel beams	UPN/UNP	180	- No / + Yes	1160	-	4
	UPN/UNP	100	- No / + Yes	1085	-	4
Steel tubes	Rectangular section	80x120x5	- 1 size / + Yes, Keep T5	190	-	4
	Rectangular section	80x120x3	- 1 size / + Yes, Keep T3	920	-	2
	Rectangular section	60x100x3	- 1 size / + 1 size, Keep T3	1200	-	15
	Rectangular section	60x100x3	- 1 size / + 1 size, Keep T3	1086	-	13
	Rectangular section	60x100x3	- 1 size / + 1 size, Keep T3	620	-	2
Steel rod	hotrolled	10x20	No	1060	-	2
	hotrolled	10x20	No	800	-	2
Steel plate	Hot rolled	5mm	No	600	300	4
	Hot rolled	5mm	No	275	275	8
	Hot rolled	5mm	No	115	75	4
	Hot rolled	5mm	No	600	96	4
	Hot rolled	10mm	No	100	70	8
	Hot rolled	10mm	No	100	90	8
	Hot rolled	10mm	No	100	100	4
	Hot rolled	10mm	No	260	115	4
Sheet steel	Hot rolled	10mm	No	120	120	4
	Cold rolled	3mm	No	1100	60	2
	Cold rolled	3mm	No	800	60	2
	Cold rolled	2mm	No	1100	800	1
	Cold rolled	2mm	No	400	13	10
	Cold rolled	2mm	No	300	105	6
Fasteners	Cold rolled	1.5mm	No	1150	950	1
	Bolts	M3 CS	No	5	-	52
	Bolts	M6	M5 - M8	20	-	28
	Bolts	M6	M5 - M8	100	-	4
	Bolts	M10	M8 - M12	30	-	20
	Bolts	M16	No	80	-	4
	Bolts	M16	No	120	-	4
	Bolts	M20	No	140	-	4
Nuts	M10	fit to bolts	-	-	16	

Section	Type	Specification	Change size?	length	width	Amount
	Nylon Lock Nuts	M16	No	-	-	8
	Nuts	M16	No	-	-	8
Fasteners	Nylon Lock Nuts	M20	No	-	-	4
	Wing nuts	M6	fit to bolts	-	-	4
	Body rings	M6	fit to bolts	-	-	28
	Body rings	M10	fit to bolts	-	-	36
	Body rings	M16	No	-	-	16
	Body rings	M20	No	-	-	8
	Wheels	fixed castor	250kg	Stronger is ok	-	-
Caster wheel		250kg	Stronger is ok	-	-	2
Pneumatics	4 way Splitter	10 bar	Stronger is ok			1
	Connectors	10 bar	Fitting the splitter & cylinder hose			5
	Air pistol	10 bar	Stronger is ok			1
	PTFE Tape roll	-	-	-	-	1
Hydraulics	8 ton long Air bottle jack	Hydraulic/ pneumatic	Plain Bottle jacks without air pump are a cheaper option	-	-	4

A.18. PRODUCTION TOOL LIST

Section	Tool	Specification	Amount
Power tools	Welding machine	Suitable for min. 5mm plate thickness	1
	Angle Grinder		1
	Column drill		1
	Electric drill		1
Safety equipment	Welding mask/helmet		1
	Welding gloves		1
	Safety goggles		1
	Hearing protection		1
	Workshop gloves		1
Hand tools	Sledgehammer	small handle 1kg	1
	Locking pliers		2
	Adjustable wrench	Large enough for biggest bolt	1
	Wrench	all sizes fitting the bolts	1
	Allen key	If applicable fit to bolts	1
	Screwdriver	If applicable fit to bolts	1
	Steel brush		1
Measuring and alignment tools	Ruler		1
	Tape measure		1
	Right angle		1
	Scriber		1
	Center point		1
	Glue clamps	min. 200mm	6
	Ratchet band	4m	3
Drill accessories	Taps	M3, M6, (or fitted to your adaptations)	1
	Drills	2.5mm, 3mm, 5mm, 7mm, 12mm (or fitted to your adaptations)	1
	Hole saw for metal	17mm, 22mm (or fitted to your adaptations)	1
	Countersink	for 3mm holes	1
Consumeables	Deburring disc		2
	Sanding disc coarse		2
	cutting disc		2
	Welding electrodes	3.2mm minimum	150
	Cutting oil		1

A.19. COST ESTIMATION BASED ON PROTOTYPE

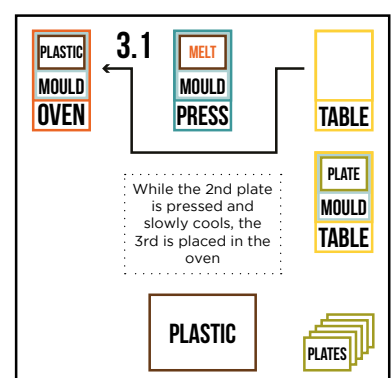
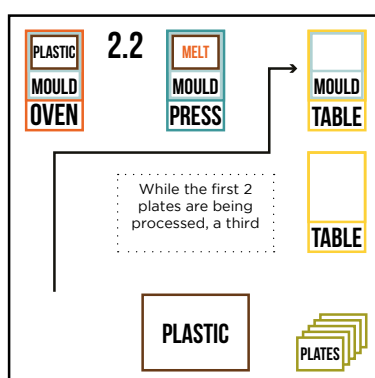
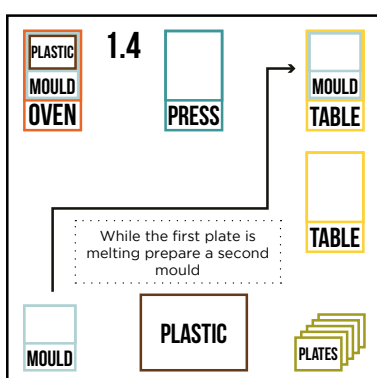
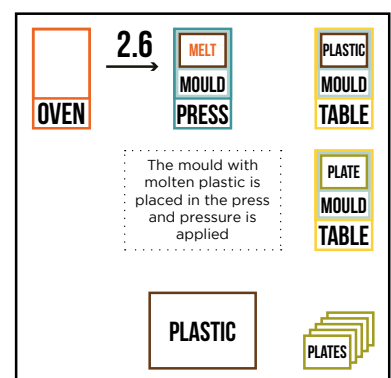
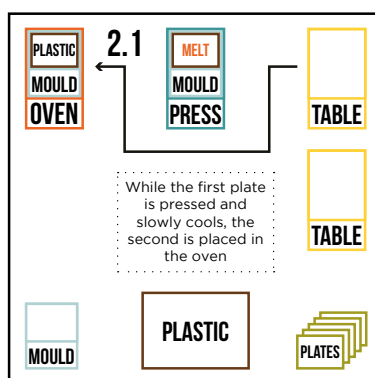
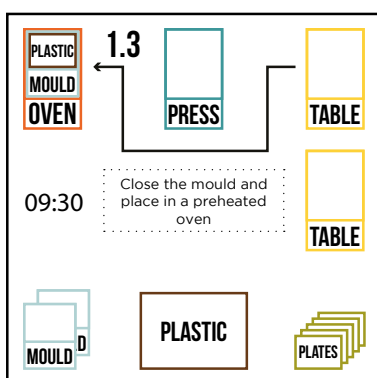
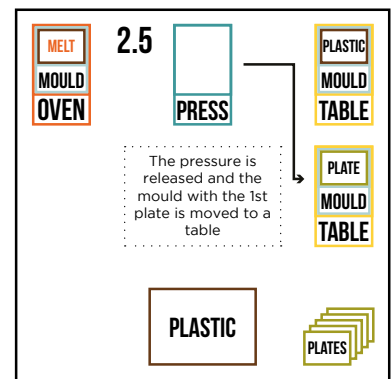
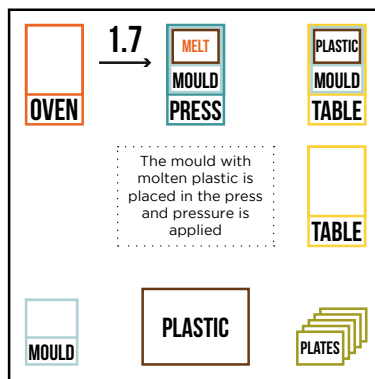
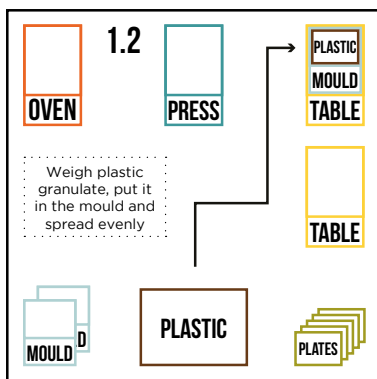
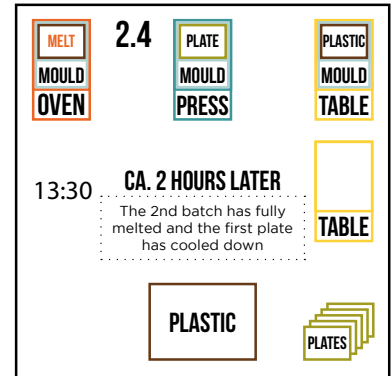
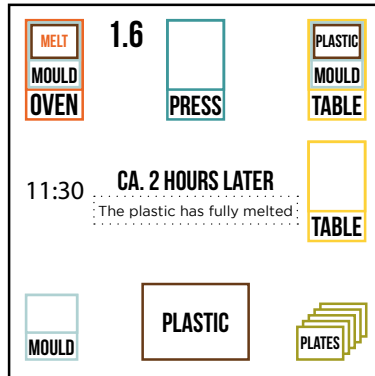
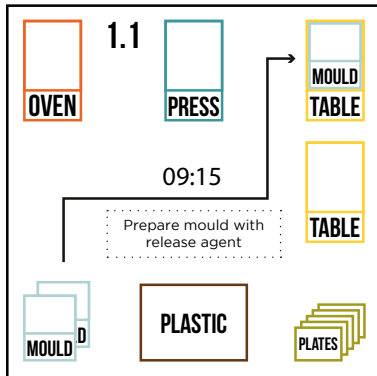
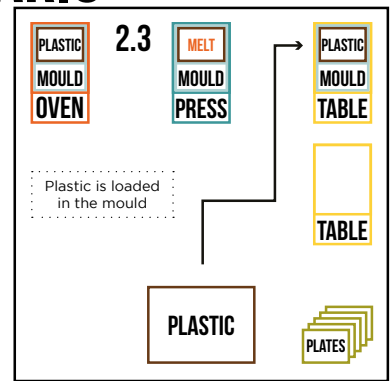
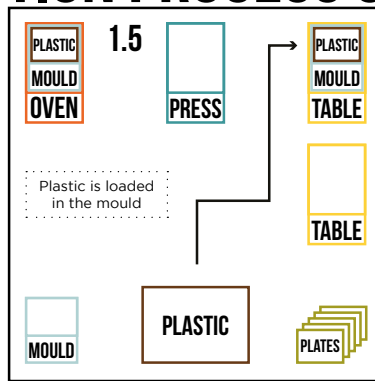
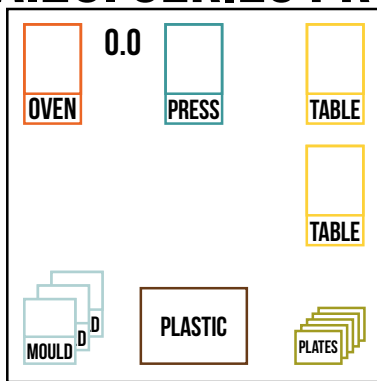
Section	Type	Spec.	length (mm)	width (mm)	QTY.	Unit	Unit price (€)	Item Price (€)	Total	P/M	src.
Steel beams	UPN/UNP	180	1160	-	4	m	€ 25,36	€ 29,42	€ 117,67	P	L
	UPN/UNP	100	1085	-	4	m	€ 12,41	€ 13,46	€ 53,86	P	L
Steel tubes	Rectangular section	80x120x5	1900	-	4	m	€ 33,46	€ 63,57	€ 254,30	P	L
	Rectangular section	80x120x3	920	-	2	m	€ 22,10	€ 20,33	€ 40,66	P	L
	Rectangular section	60x100x3	1200	-	15	m	€ 16,24	€ 19,49	€ 292,32	P	L
	Rectangular section	60x100x3	1086	-	13	m	€ 16,24	€ 17,64	€ 229,28	P	L
	Rectangular section	60x100x3	620	-	2	m	€ 16,24	€ 10,07	€ 20,14	P	L
Steel rod	hotrolled	10x20	1060	-	2	m	€ 2,70	€ 2,86	€ 5,72	Me	L
	hotrolled	10x20	800	-	2	m	€ 2,70	€ 2,16	€ 4,32	Me	L
Steel plate	Hot rolled	5mm	600	300	4	m ²	€ 103,25	€ 18,59	€ 74,34	P	L
	Hot rolled	5mm	275	275	8	m ²	€ 103,25	€ 7,81	€ 62,47	P	L
	Hot rolled	5mm	115	75	4	m ²	€ 103,25	€ 0,89	€ 3,56	P	L
	Hot rolled	5mm	600	96	4	m ²	€ 103,25	€ 5,95	€ 23,79	P	L
	Hot rolled	10mm	100	70	8	m ²	€ 206,02	€ 1,44	€ 11,54	P	L
	Hot rolled	10mm	100	90	8	m ²	€ 206,02	€ 1,85	€ 14,83	P	L
	Hot rolled	10mm	100	100	4	m ²	€ 206,02	€ 2,06	€ 8,24	P	L
	Hot rolled	10mm	260	115	4	m ²	€ 206,02	€ 6,16	€ 24,64	P	L
	Hot rolled	10mm	120	120	4	m ²	€ 206,02	€ 2,97	€ 11,87	P	L
Sheet steel	Cold rolled	3mm	1100	60	2	m ²	€ 62,00	€ 4,09	€ 8,18	Me	L
	Cold rolled	3mm	800	60	2	m ²	€ 62,00	€ 2,98	€ 5,95	Me	L
	Cold rolled	2mm	1100	800	1	m ²	€ 51,03	€ 44,91	€ 44,91	Me	L
	Cold rolled	2mm	400	13	10	m ²	€ 51,03	€ 0,27	€ 2,65	Me	L
	Cold rolled	2mm	300	105	6	m ²	€ 51,03	€ 1,61	€ 9,64	Me	L
	Cold rolled	1.5mm	1150	950	1	m ²	€ 38,28	€ 41,82	€ 41,82	Me	L
Fasteners	Bolts	M3 CS	5	-	52	#	-	€ 0,05	€ 2,34	Me	S
	Bolts	M6	20	-	28	#	-	€ 0,10	€ 2,80	P	S
	Bolts	M10	30	-	20	#	-	€ 0,30	€ 6,00	P	S
	Bolts	M16	80	-	4	#	-	€ 1,61	€ 6,44	P	S
	Bolts	M16	120	-	4	#	-	€ 2,29	€ 9,16	P	S
	Bolts	M20	140	-	4	#	-	€ 2,48	€ 9,92	P	S
	Nuts	M10	-	-	16	#	-	€ 0,11	€ 1,76	P	S
	Nylon Lock Nuts	M16	-	-	8	#	-	€ 0,42	€ 3,36	P	S
	Nylon Lock Nuts	M20	-	-	4	#	-	€ 0,82	€ 3,28	P	S
	Wing nuts	M6	-	-	4	#	-	€ 0,11	€ 0,44	P	S
	Body rings	M6	-	-	28	#	-	€ 0,08	€ 2,24	P	S
	Body rings	M10	-	-	36	#	-	€ 0,11	€ 3,96	P	S
	Body rings	M16	-	-	16	#	-	€ 0,15	€ 2,40	P	S
Body rings	M20	-	-	8	#	-	€ 0,31	€ 2,48	P	S	
Pneumatics	4 way Splitter	10 bar	-	-	1	#	-	€ 30,00	€ 30,00	P	W
	Connectors	10 bar	-	-	5	#	-	€ 3,95	€ 19,75	P	G
	Air pistol	10 bar	-	-	1	#	-	€ 9,95	€ 9,95	P	G

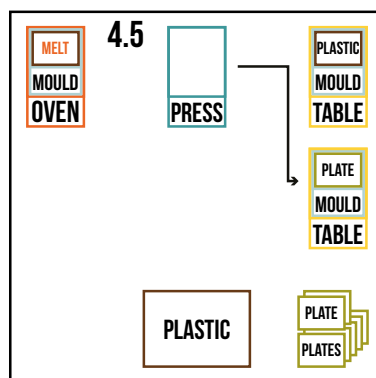
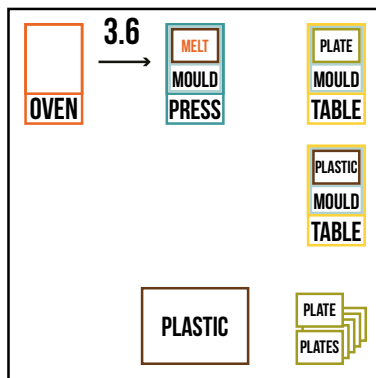
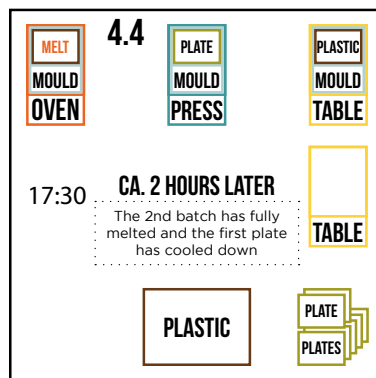
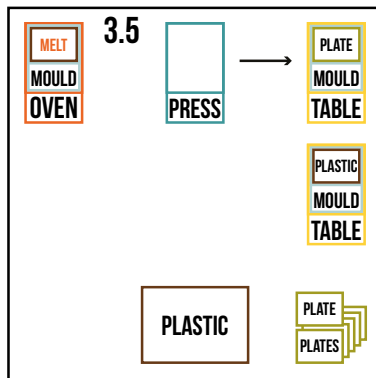
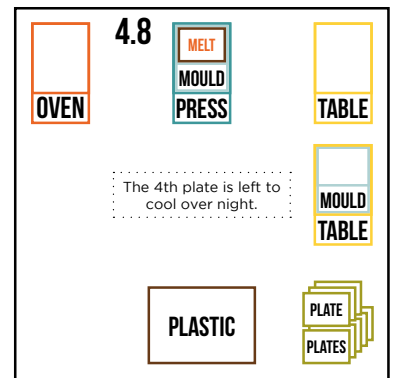
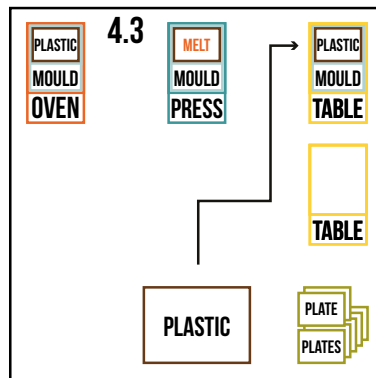
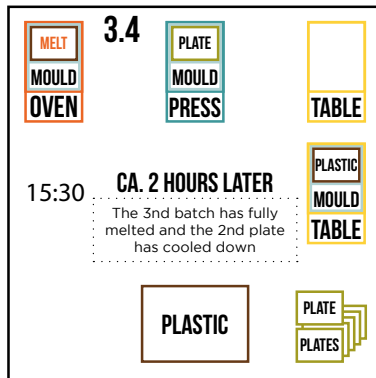
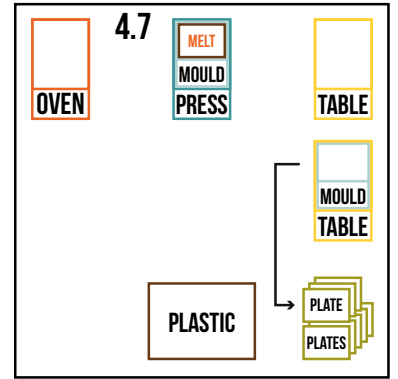
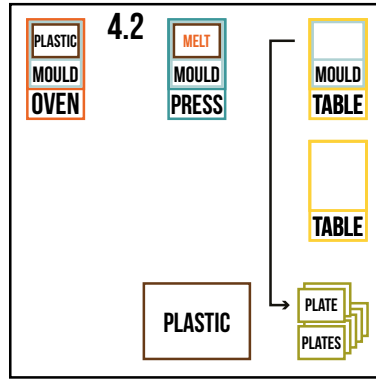
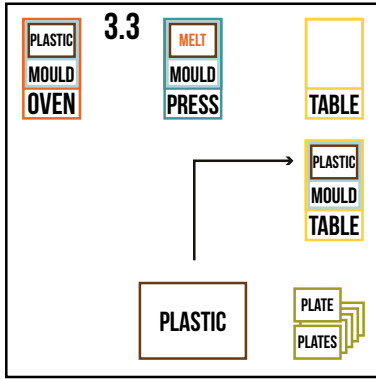
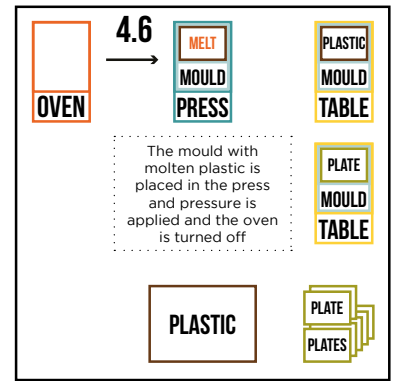
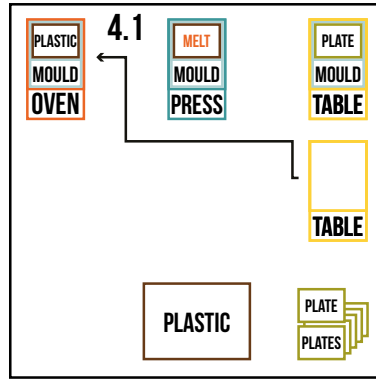
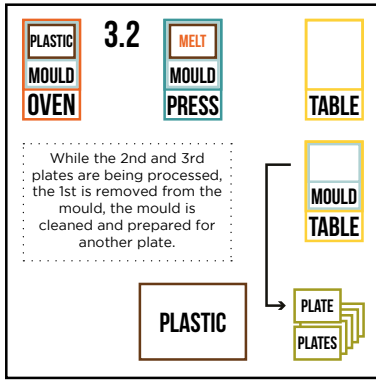
Section	Type	Spec.	length (mm)	width (mm)	QTY.	Unit	Unit price (€)	Item Price (€)	Total	P/M	src.
	PTFE Tape roll	-	-	-	1	#	-	€ 1,75	€ 1,75	P	G
Hydraulics	Long ram jack	8-ton + air	-	-	4	#	-	€ 75,00	€ 300,00	P	B
	Taps	M3	-	-	1	#	-	€ 6,76	€ 6,76	M1	M
	Taps	M6	-	-	1	#	-	€ 8,70	€ 8,70	P	M
	Drills	2,5mm	-	-	1	#	-	€ 5,93	€ 5,93	M1	M
	Drills	3mm	-	-	1	#	-	€ 3,51	€ 3,51	M1	M
	Drills	5mm	-	-	1	#	-	€ 4,72	€ 4,72	P	M
	Drills	7mm	-	-	1	#	-	€ 9,56	€ 9,56	P	M
	Drills	12mm	-	-	1	#	-	€ 14,40	€ 14,40	P	M
	Hole saw for metal	17mm	-	-	1	#	-	€ 6,95	€ 6,95	P	Z
	Hole saw for metal	22mm	-	-	1	#	-	€ 6,95	€ 6,95	P	Z
	Countersink	6mm	-	-	1	#	-	€ 8,95	€ 8,95	M1	M
	Deburring disc	steel	-	-	2	#	-	€ 2,79	€ 5,58	P	G
	Sanding disc coarse	g 60	-	-	2	#	-	€ 1,64	€ 3,28	P	G
	Sanding disc midle	g 120	-	-	2	#	-	€ 1,64	€ 3,28	Me	G
	Sanding disc fine	g 350+	-	-	5	#	-	€ 1,64	€ 8,19	Me	G
	Cutting disc	steel 1mm	-	-	20	#	-	€ 1,34	€ 26,80	P	G
	Welding electrodes	3.2mm	-	-	150	#	-	€ 0,18	€ 26,82	P	G
	Mig Wire	-	-	-	2	kg	-	€ 2,00	€ 4,00	Me	H
	Design adaptations		-	-	5	hr	€ 3,00	€ 15,00	€ 15,00	M1	FS
	Sourcing	Mould	-	-	5	hr	€ 3,00	€ 15,00	€ 15,00	M1	FS
	Material prep.	Mould	-	-	10	hr	€ 3,00	€ 30,00	€ 30,00	Me	FS
	Assembly	Mould	-	-	16	hr	€ 3,00	€ 48,00	€ 48,00	Me	FS
	Design adaptations	Press	-	-	15	hr	€ 3,00	€ 45,00	€ 45,00	P	FS
	Sourcing	Press	-	-	15	hr	€ 3,00	€ 45,00	€ 45,00	P	FS
	Material prep.	Press	-	-	40	hr	€ 3,00	€ 120,00	€ 120,00	P	FS
	Assembly	Press	-	-	40	hr	€ 3,00	€ 120,00	€ 120,00	P	FS
Mould once					1			€ 55,15		M1	
Mould each					3			€ 219,01		Me	
Press					1			€ 2102,95		P	
Oven					1			€ 750,00		O	
Total								€ 3565,13			

Unit or item price Sources (src):

B: barntools.nl
G: gamma.nl
H: hbm-machines.com
L: limtrade.nl
M: bouwmaat.nl
S: smoldersbv.nl
W: westfalia.eu
Z: gatzagen.com
FS: Discussed with Fábrica de Sabão

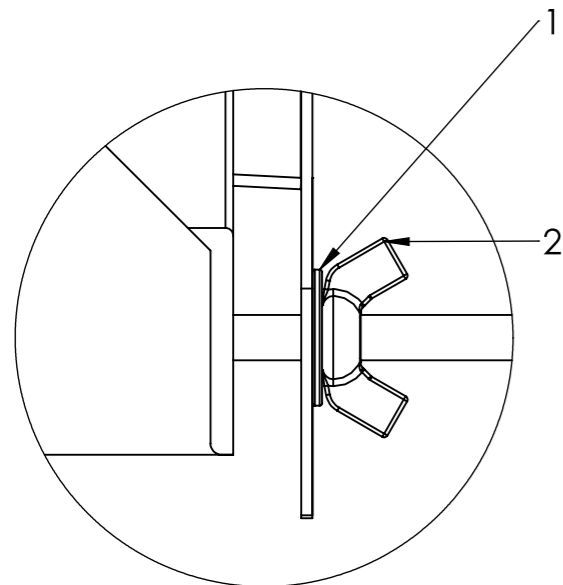
A.20. SERIES PRODUCTION PROCESS SCENARIO



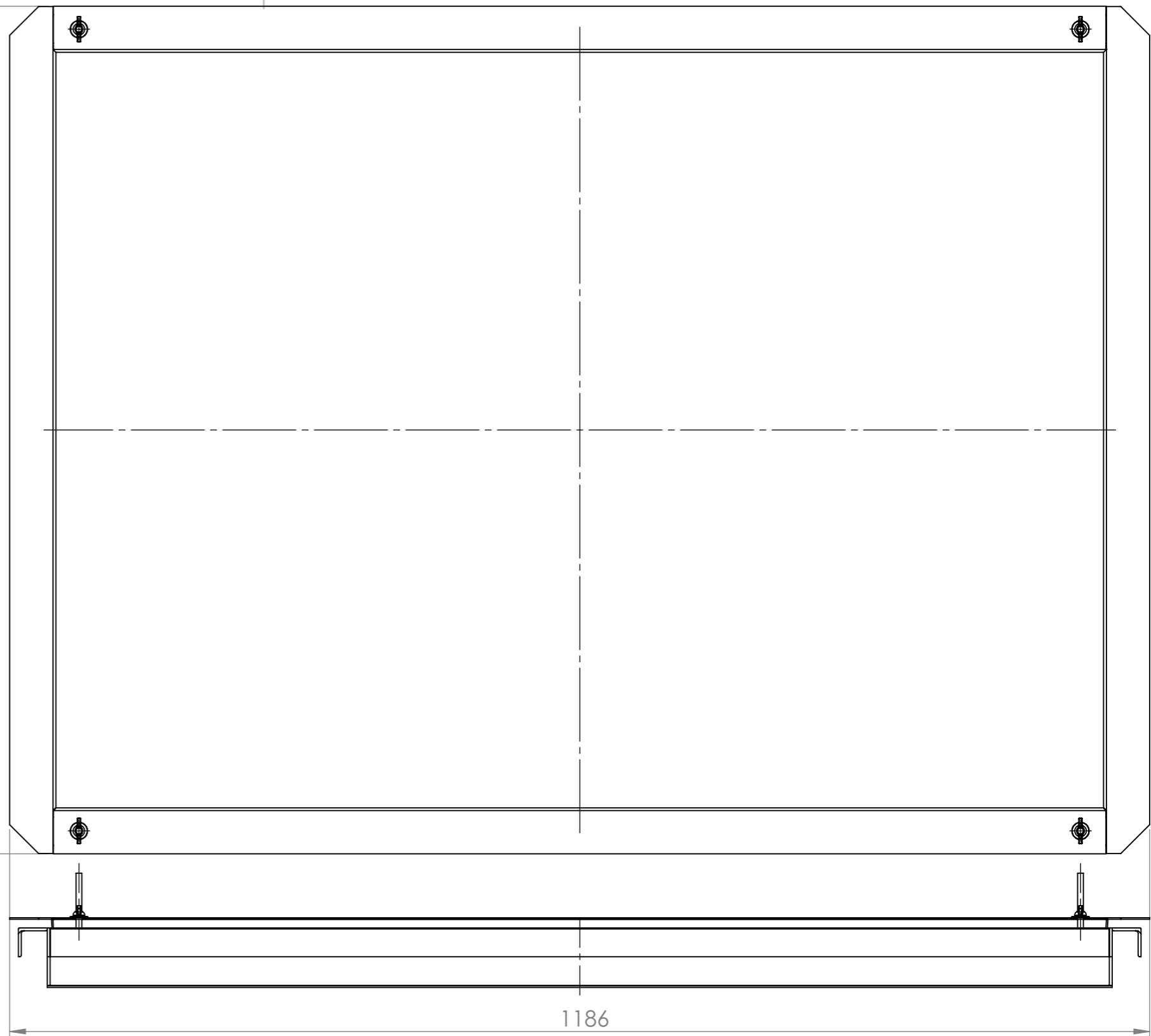
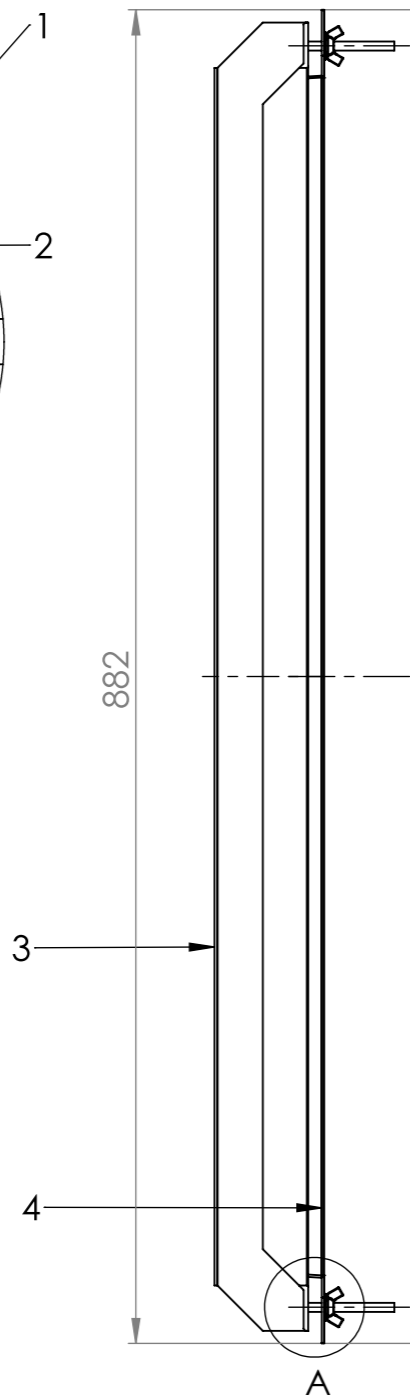


A.21. TECHNICAL DRAWING SET: MOULD

A.21.1. MOULDS ASSEMBLY



DETAIL A
SCALE 1 : 1



ITEM NO.	PART NAME	DRAWING NUMBER	QTY.
1	M6 Body ring	-	4
2	M6 Wing nut	-	4
3	Mould-Tub_Assembly	1.1	1
4	Mould-Lid_Weld Assembly	1.2	1

Unless otherwise specified:
Dimensions are in millimeters
Surface finish is untreated
Tolerances are +/- 1mm
Angles are in degrees

Drawn by Mark Bachrach | Commissioned by The MMID Foundation

Title: **Mould_Assembly**

Project name: A Plastic Plate Press for Low resource settings

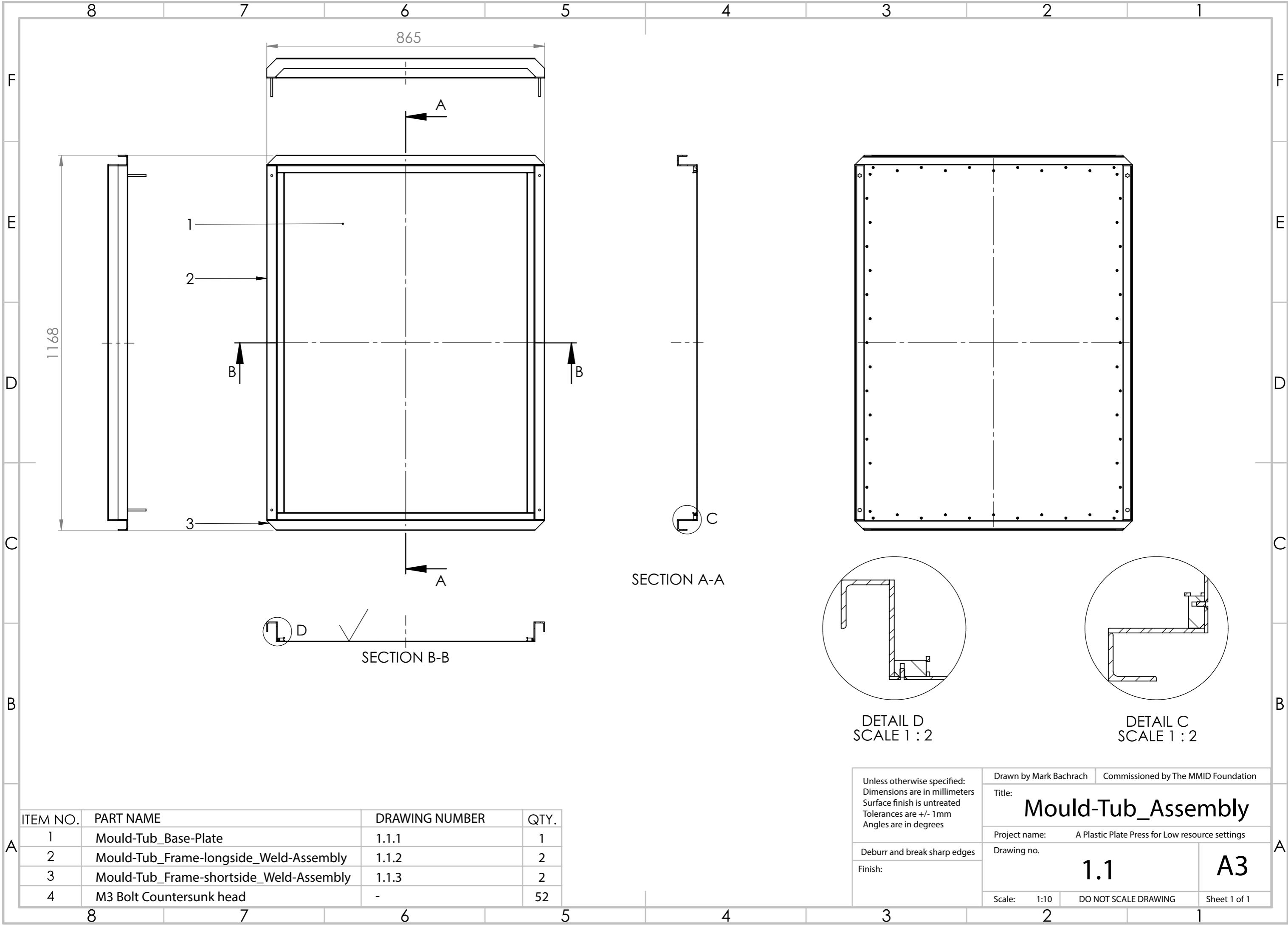
Deburr and break sharp edges

Drawing no. **1** **A3**

Finish:

Scale: 1:5 | DO NOT SCALE DRAWING | Sheet 1 of 1

A.21.2. MOULDS-TUB ASSEMBLY



SECTION A-A

SECTION B-B

DETAIL D
SCALE 1 : 2

DETAIL C
SCALE 1 : 2

ITEM NO.	PART NAME	DRAWING NUMBER	QTY.
1	Mould-Tub_Base-Plate	1.1.1	1
2	Mould-Tub_Frame-longside_Weld-Assembly	1.1.2	2
3	Mould-Tub_Frame-shortsideside_Weld-Assembly	1.1.3	2
4	M3 Bolt Countersunk head	-	52

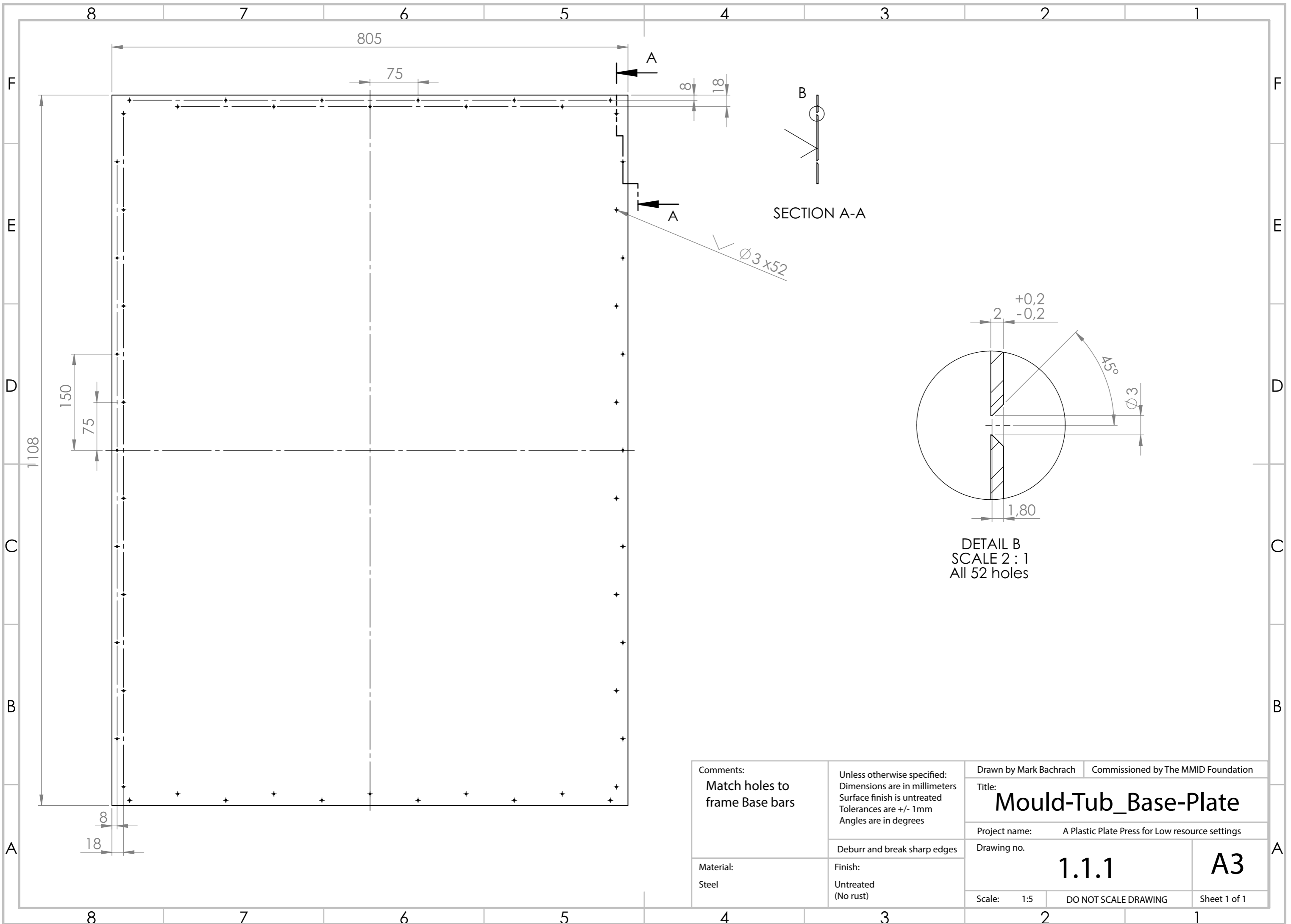
Unless otherwise specified:
 Dimensions are in millimeters
 Surface finish is untreated
 Tolerances are +/- 1mm
 Angles are in degrees

Deburr and break sharp edges

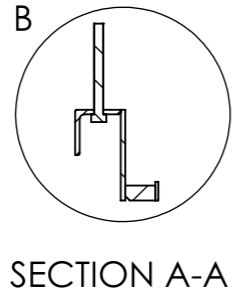
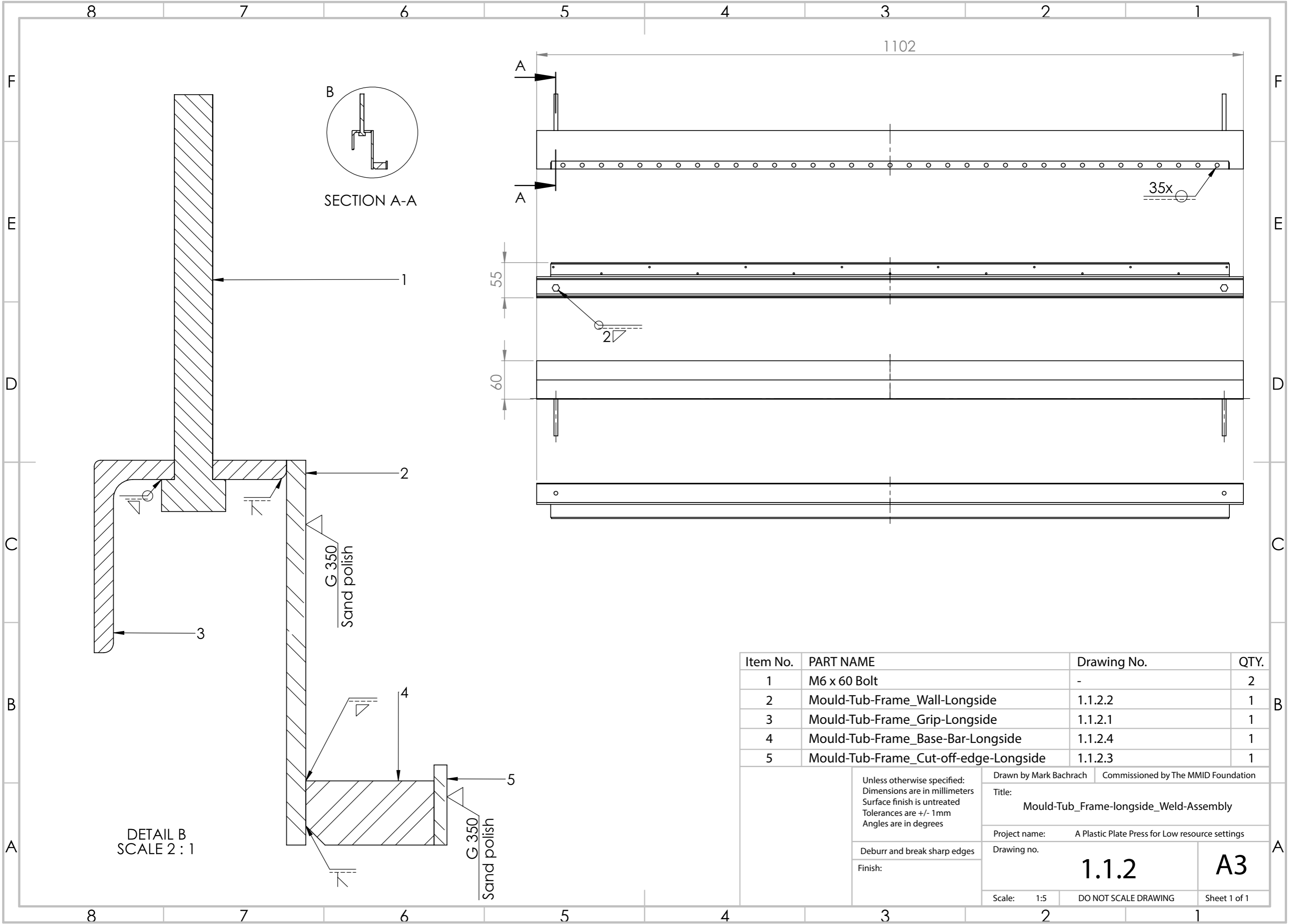
Finish:

Drawn by Mark Bachrach	Commissioned by The MMID Foundation	
Title:	Mould-Tub_Assembly	
Project name:	A Plastic Plate Press for Low resource settings	
Drawing no.	1.1	A3
Scale:	1:10	DO NOT SCALE DRAWING
		Sheet 1 of 1

A.21.3. MOULDS-TUB BASE-PLATE



A.21.4. MOULDS-TUB FRAME-LONGSIDE WELD ASSEMBLY

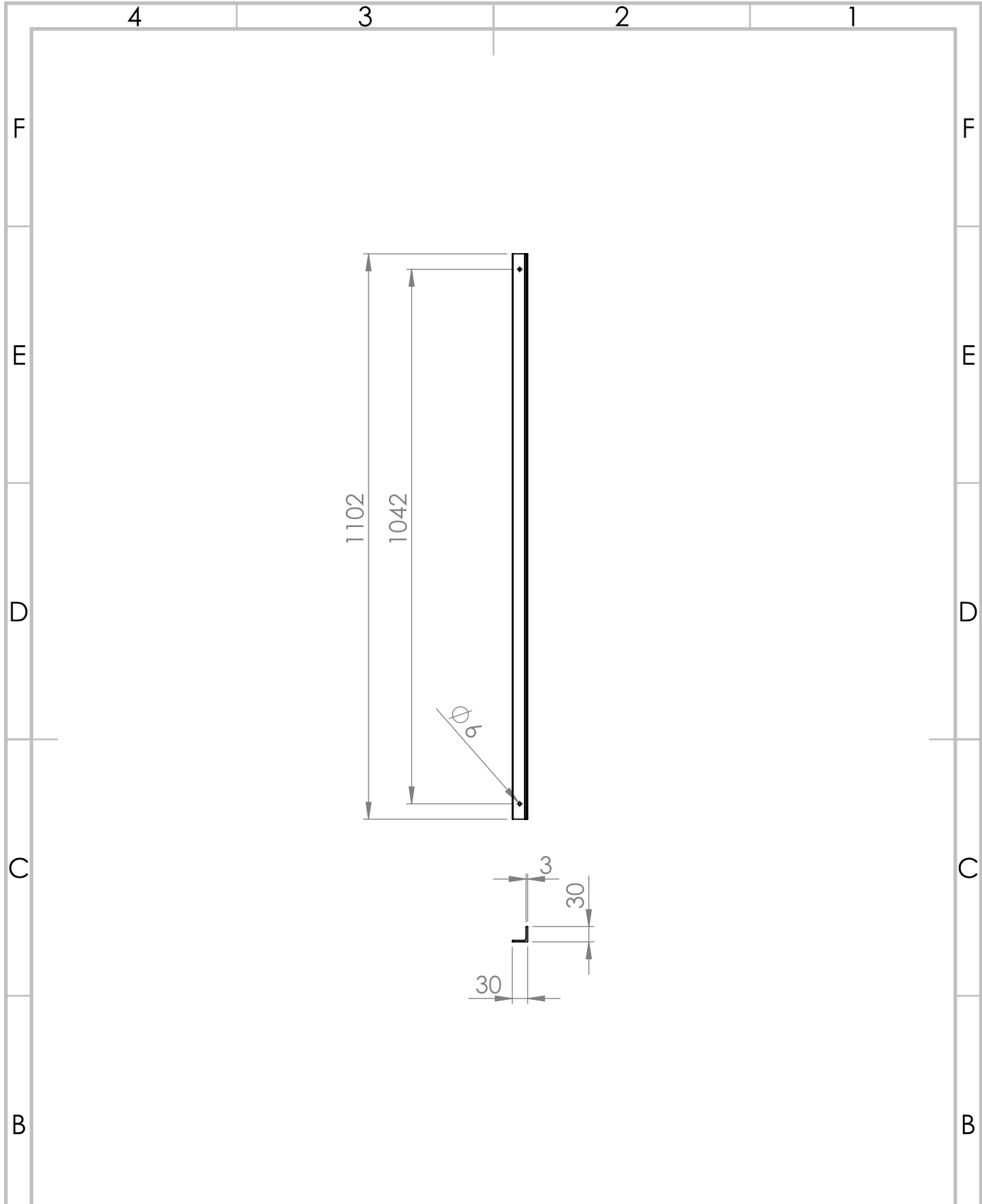


SECTION A-A

DETAIL B
SCALE 2 : 1

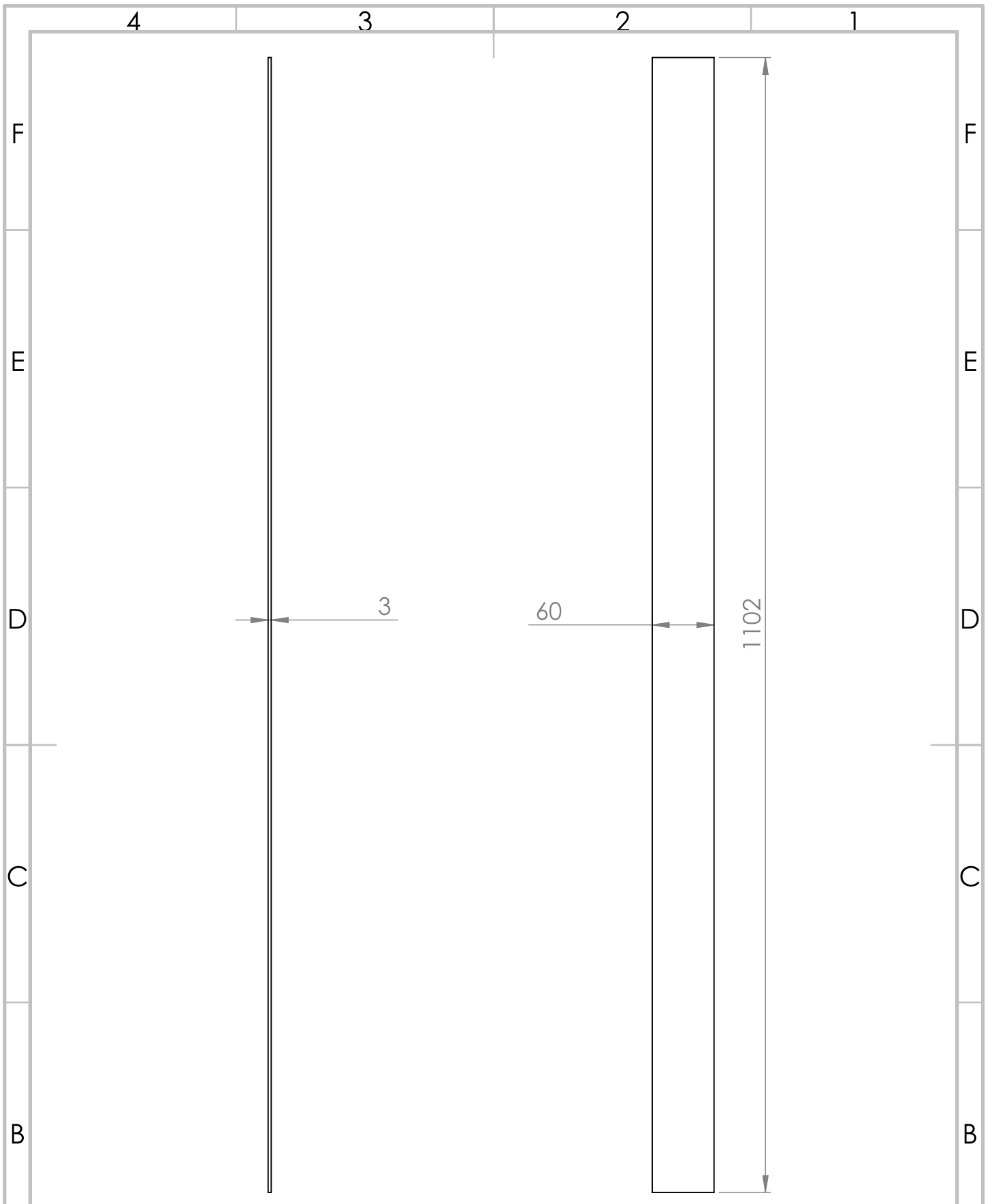
Item No.	PART NAME	Drawing No.	QTY.
1	M6 x 60 Bolt	-	2
2	Mould-Tub-Frame_Wall-Longside	1.1.2.2	1
3	Mould-Tub-Frame_Grip-Longside	1.1.2.1	1
4	Mould-Tub-Frame_Base-Bar-Longside	1.1.2.4	1
5	Mould-Tub-Frame_Cut-off-edge-Longside	1.1.2.3	1

Unless otherwise specified: Dimensions are in millimeters Surface finish is untreated Tolerances are +/- 1mm Angles are in degrees Deburr and break sharp edges Finish:	Drawn by Mark Bachrach Commissioned by The MMID Foundation
	Title: Mould-Tub_Frame-longside_Weld-Assembly
	Project name: A Plastic Plate Press for Low resource settings
	Drawing no. 1.1.2 A3
Scale: 1:5 DO NOT SCALE DRAWING Sheet 1 of 1	

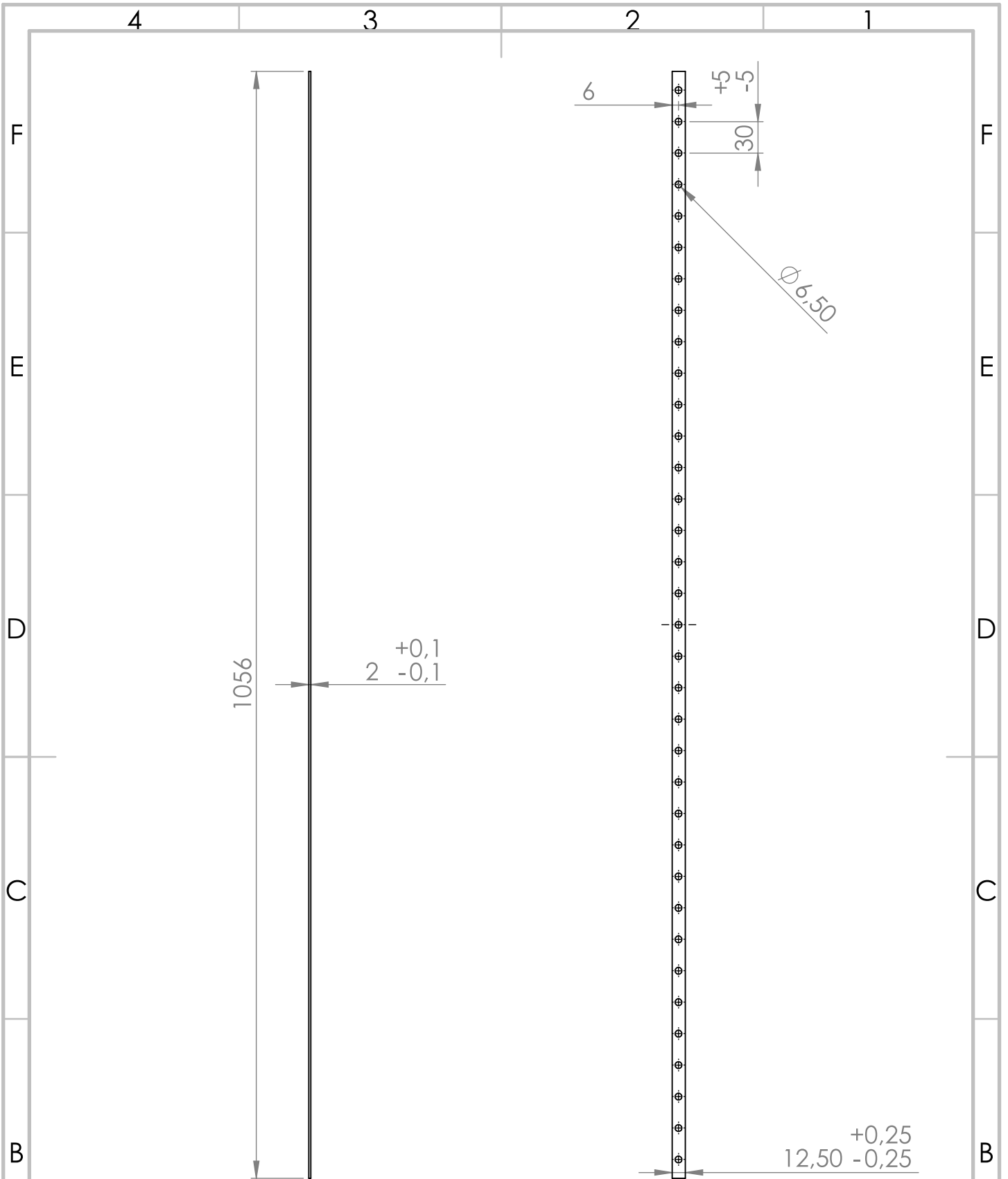


Comments: Based on Angled section 30x30x3	Unless otherwise specified: Dimensions are in millimeters Surface finish is untreated Tolerances are +/- 1mm Angles are in degrees	Drawn by Mark Bachrach	Commissioned by The MMID Foundation	
	Debur and break sharp edges	Title: Mould-Tub-Frame_Grip-Longside		A4
Material: Steel	Finish: Untreated (No rust)	Project name: A Plastic Plate Press for Low resource settings		
		Drawing no. 1.1.2.1		
		Scale: 1:10	DO NOT SCALE DRAWING	Sheet 1 of 1

60



A	Comments:		Unless otherwise specified: Dimensions are in millimeters Surface finish is untreated Tolerances are +/- 1mm Angles are in degrees		Drawn by Mark Bachrach	Commissioned by The MMID Foundation		
			Deburr and break sharp edges		Title: Mould-Tub-Frame_Wall-longside			
	Material: Steel		Finish: Untreated (No rust)		Project name: A Plastic Plate Press for Low resource settings		Drawing no.	
					1.1.2.2		A4	
				Scale: 1:5	DO NOT SCALE DRAWING		Sheet 1 of 1	



Comments:

Strip can also be cut in pieces for ease of production

Unless otherwise specified:
 Dimensions are in millimeters
 Surface finish is untreated
 Tolerances are +/- 1mm
 Angles are in degrees

Deburr and break sharp edges

Material:
 Steel

Finish:
 Untreated
 (No rust)

Drawn by Mark Bachrach

Commissioned by The MMID Foundation

Title:

Mould-Tub-Frame_Cut-off-edge-longside

Project name:

A Plastic Plate Press for Low resource settings

Drawing no.

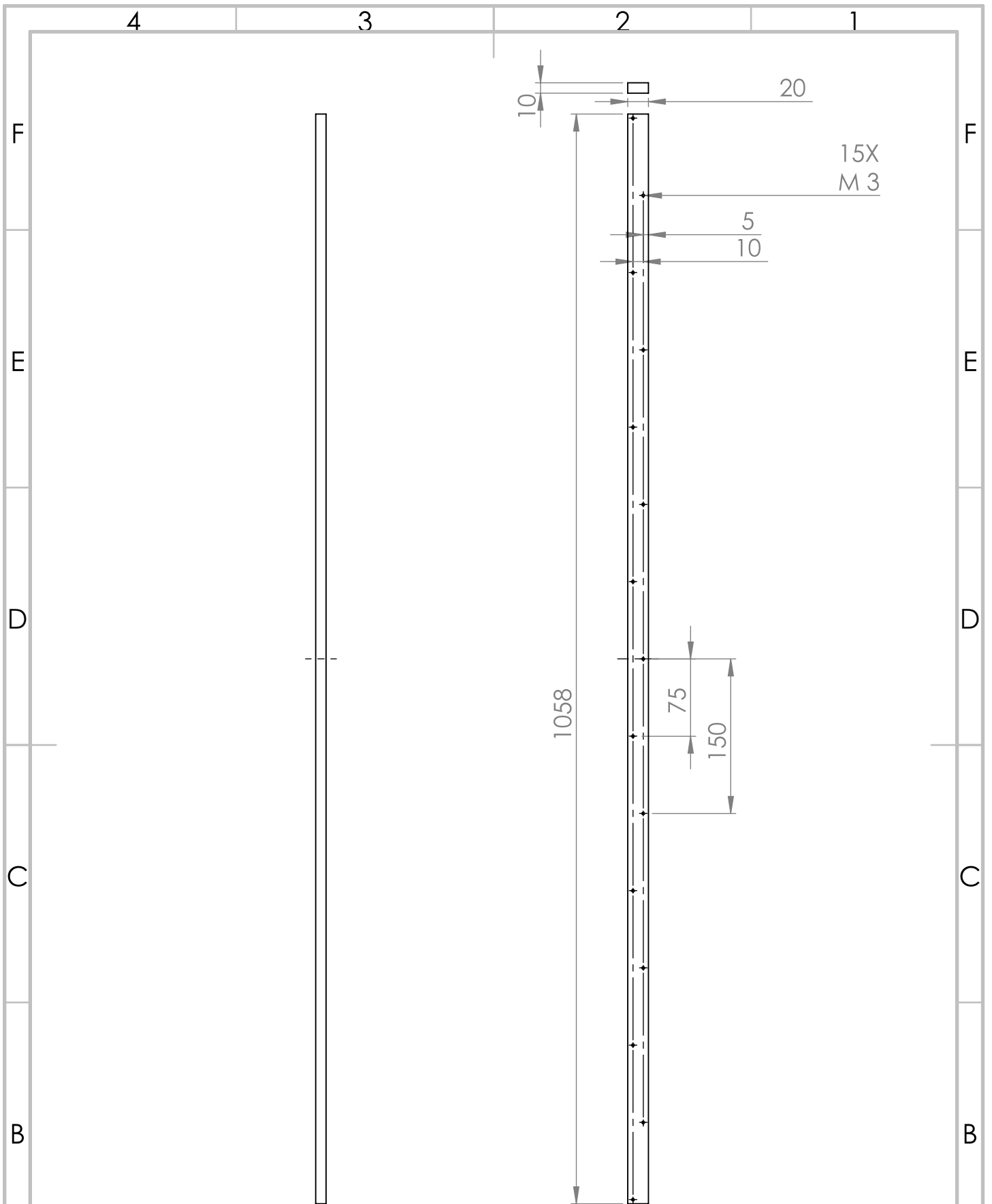
1.1.2.3

A4

Scale: 1:5

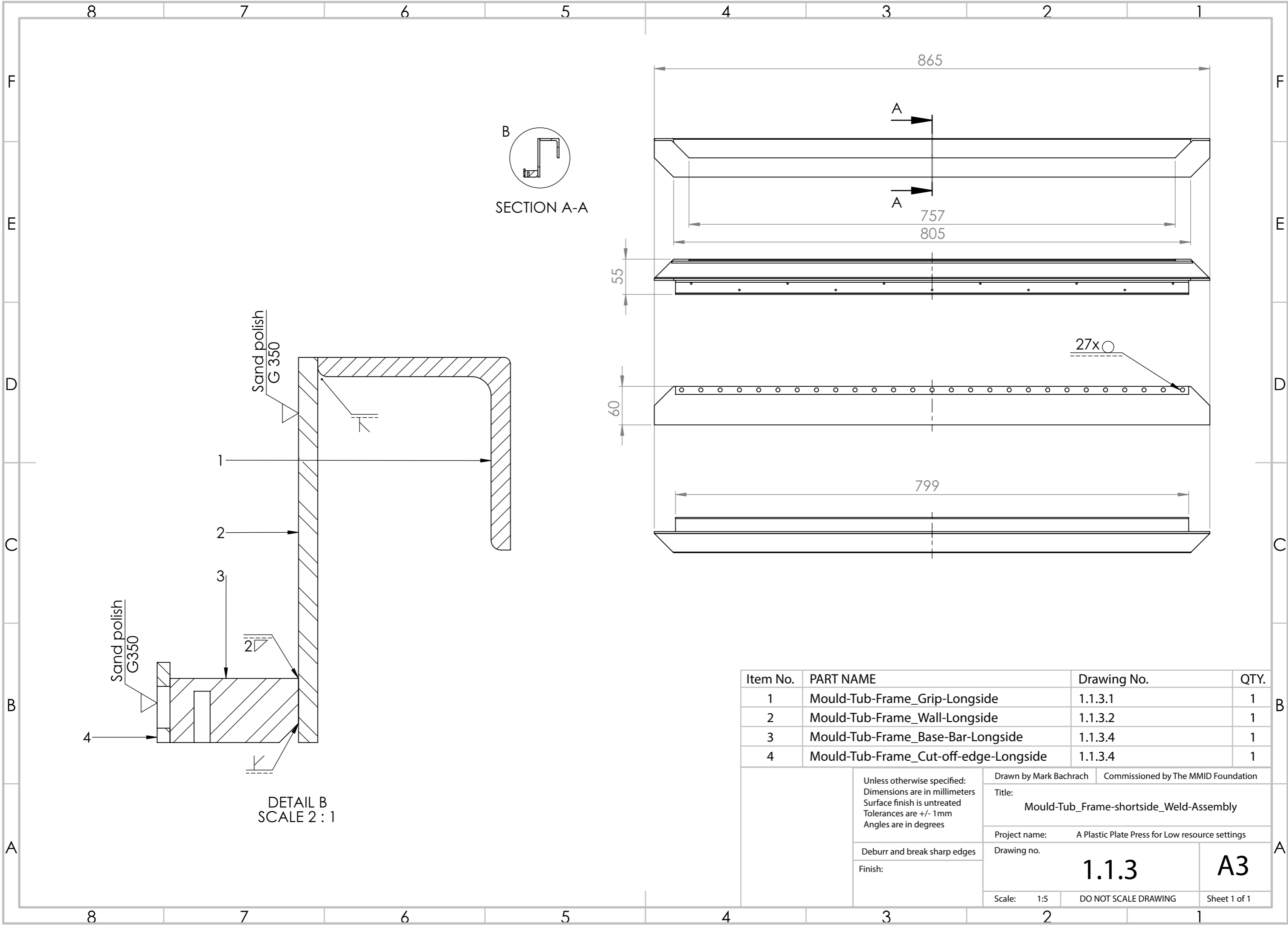
DO NOT SCALE DRAWING

Sheet 1 of 1



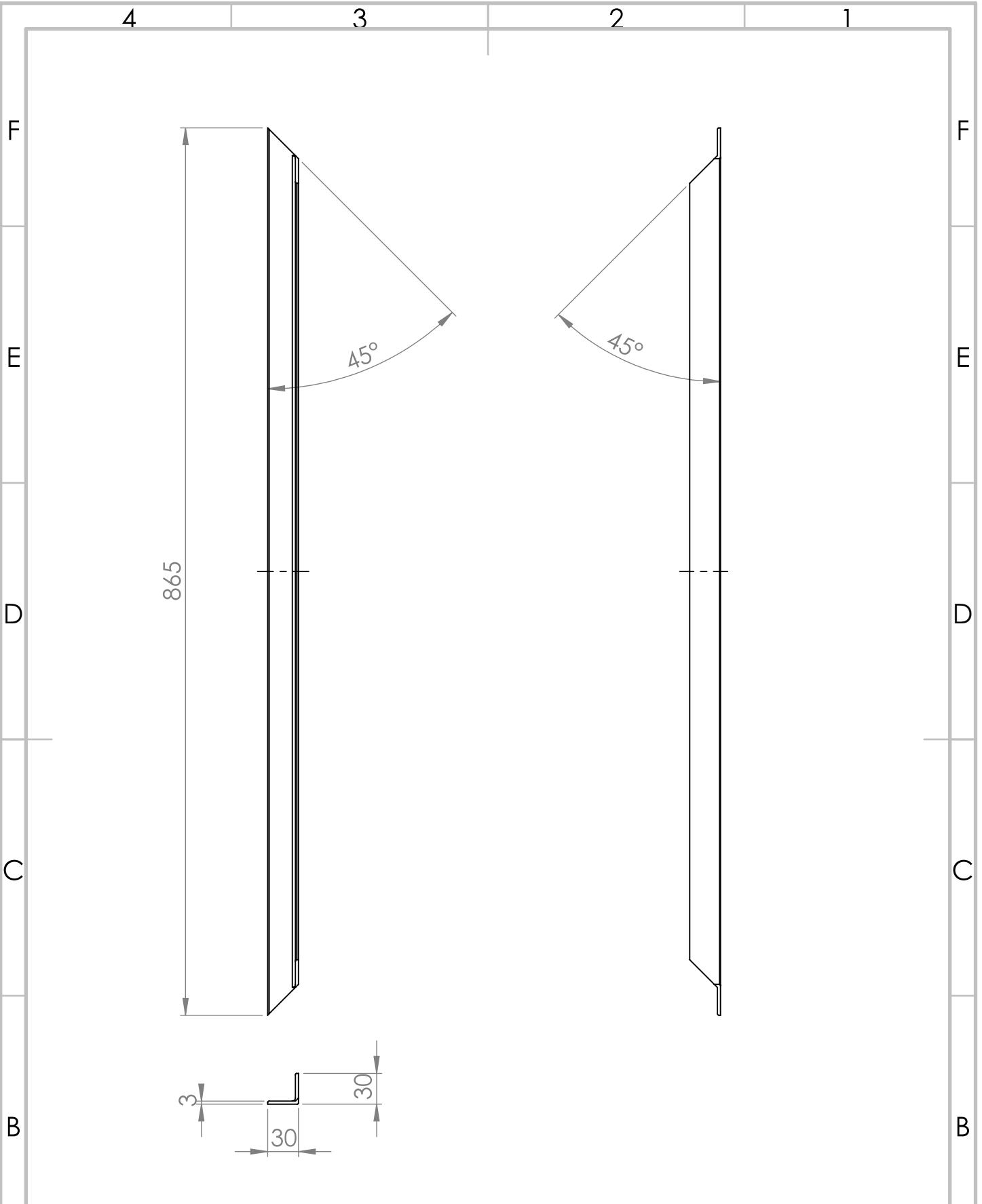
Comments: Based on Steel section 10x20 Match holes to baseplate	Unless otherwise specified: Dimensions are in millimeters Surface finish is untreated Tolerances are +/- 1mm Angles are in degrees	Drawn by Mark Bachrach	Commissioned by The MMID Foundation	
	Debur and break sharp edges	Title: Mould-Tub-Frame_Base-Bar-longside		
Material: Steel	Finish: Untreated (No rust)	Project name: A Plastic Plate Press for Low resource settings		A4
		Drawing no. 1.1.2.4		
		Scale: 1:5	DO NOT SCALE DRAWING	Sheet 1 of 1

A.21.9. MOULDS-TUB FRAME-SHORTSIDE WELD ASSEMBLY



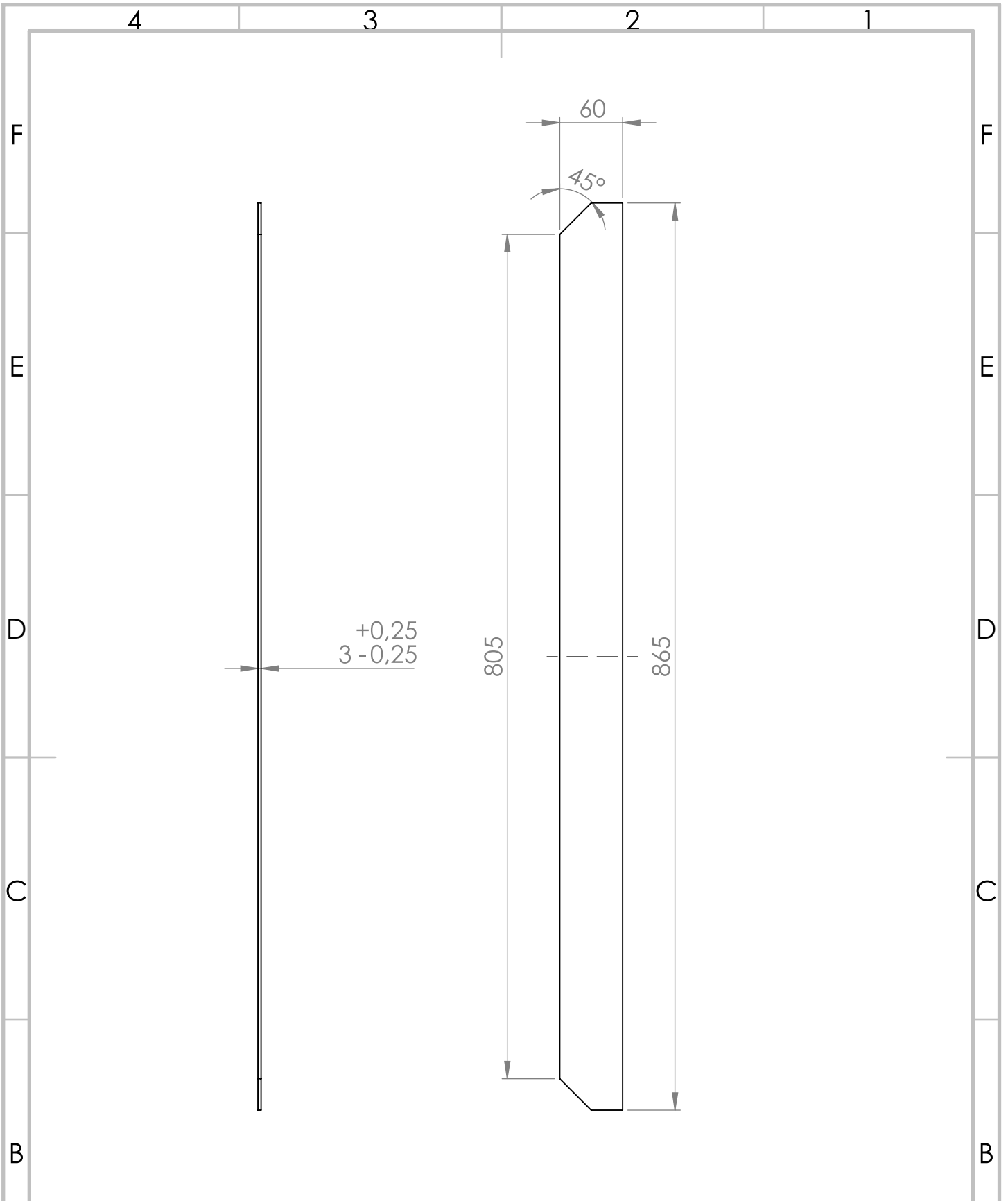
Item No.	PART NAME	Drawing No.	QTY.
1	Mould-Tub-Frame_Grip-Longside	1.1.3.1	1
2	Mould-Tub-Frame_Wall-Longside	1.1.3.2	1
3	Mould-Tub-Frame_Base-Bar-Longside	1.1.3.4	1
4	Mould-Tub-Frame_Cut-off-edge-Longside	1.1.3.4	1

Unless otherwise specified: Dimensions are in millimeters Surface finish is untreated Tolerances are +/- 1mm Angles are in degrees Deburr and break sharp edges Finish:	Drawn by Mark Bachrach Commissioned by The MMID Foundation
	Title: Mould-Tub_Frame-shortside_Weld-Assembly
	Project name: A Plastic Plate Press for Low resource settings
	Drawing no. 1.1.3
Scale: 1:5	DO NOT SCALE DRAWING
Sheet 1 of 1	A3

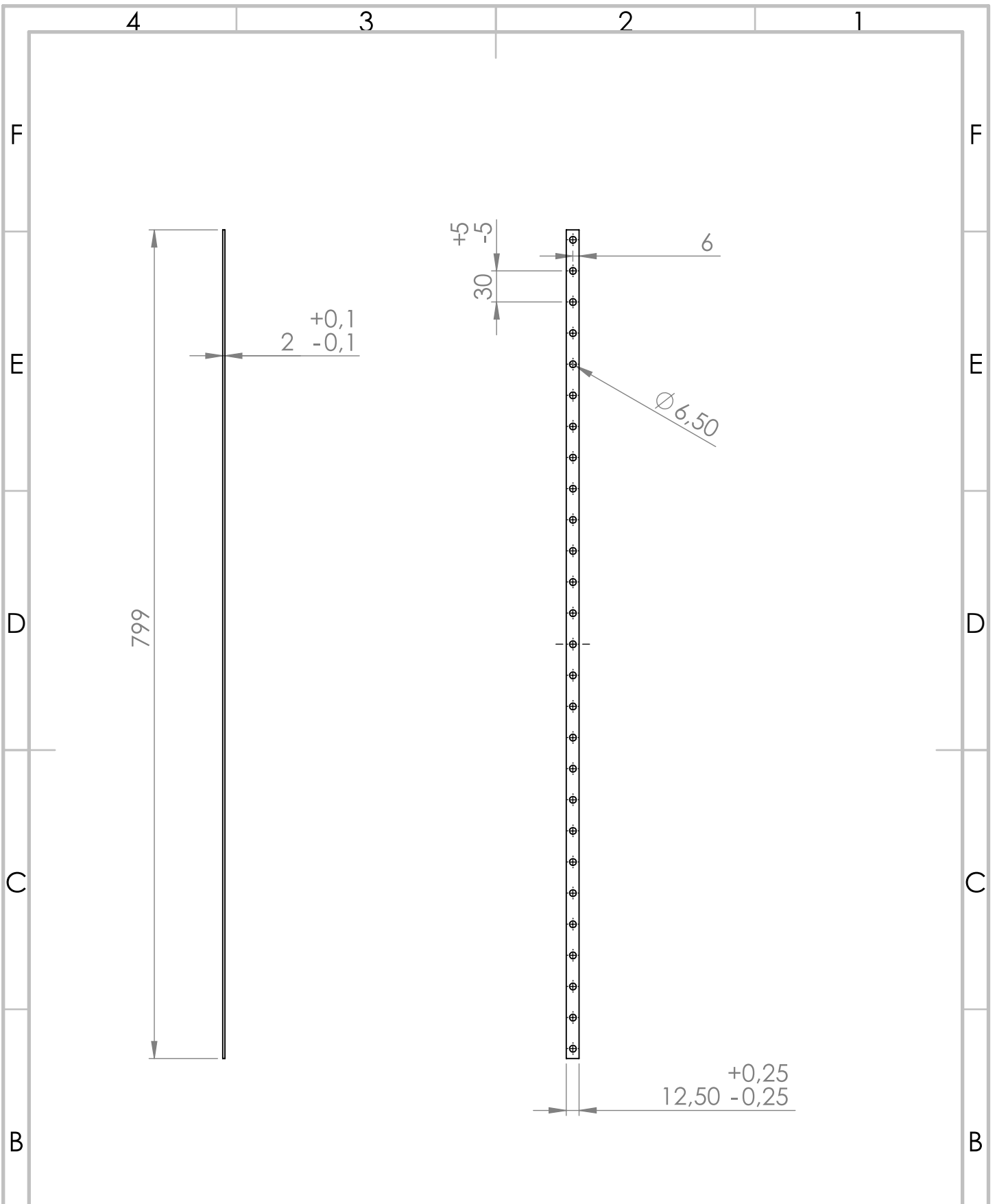


Comments:	Unless otherwise specified: Dimensions are in millimeters Surface finish is untreated Tolerances are +/- 1mm Angles are in degrees	Drawn by Mark Bachrach	Commissioned by The MMID Foundation	
	Based on Angled section 30x30x3	Title: Mould-Tub-Frame_Grip-shortside		
Material: Steel	Debur and break sharp edges	Project name: A Plastic Plate Press for Low resource settings		A4
	Finish: Untreated (No rust)	Drawing no. 1.1.3.1	Sheet 1 of 1	
		Scale: 1:5	DO NOT SCALE DRAWING	

66



Comments:	Unless otherwise specified: Dimensions are in millimeters Surface finish is untreated Tolerances are +/- 1mm Angles are in degrees	Drawn by Mark Bachrach	Commissioned by The MMID Foundation	
		Title: Mould-Tub-Frame_Wall-Shortside		
Material: Steel	Finish: Untreated (No rust)	Project name: A Plastic Plate Press for Low resource settings		
		Drawing no. 1.1.3.2		A4
		Scale: 1:5	DO NOT SCALE DRAWING	Sheet 1 of 1



Comments:

Strip can also be cut in pieces for ease of production

Unless otherwise specified:
 Dimensions are in millimeters
 Surface finish is untreated
 Tolerances are +/- 1mm
 Angles are in degrees

Debur and break sharp edges

Material:
 Steel

Finish:
 Untreated
 (No rust)

Drawn by Mark Bachrach

Commissioned by The MMID Foundation

Title:

Mould-Tub-Frame_Cut-off-edge-shortsides

Project name:

A Plastic Plate Press for Low resource settings

Drawing no.

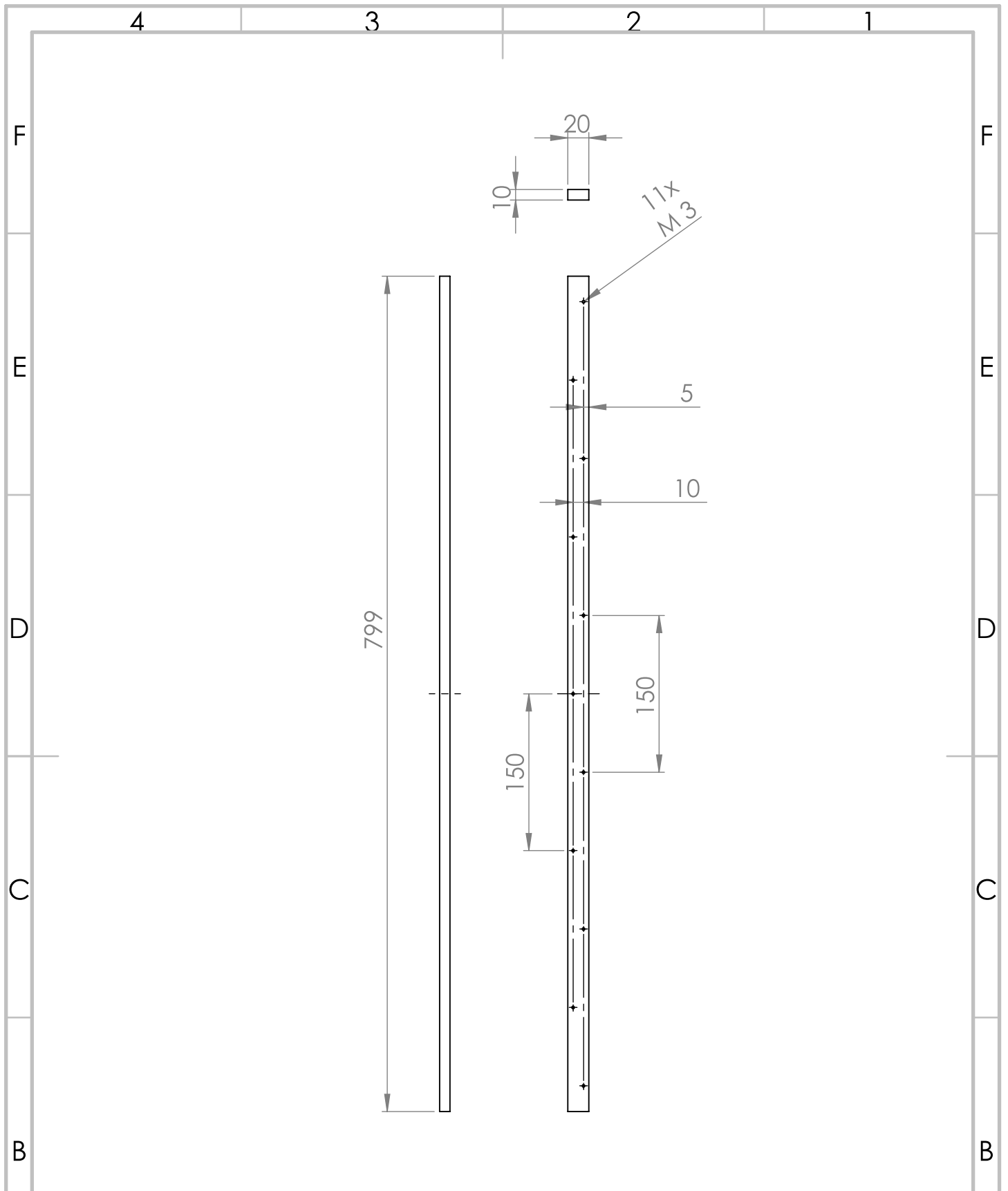
1.1.3.3

A4

Scale: 1:5

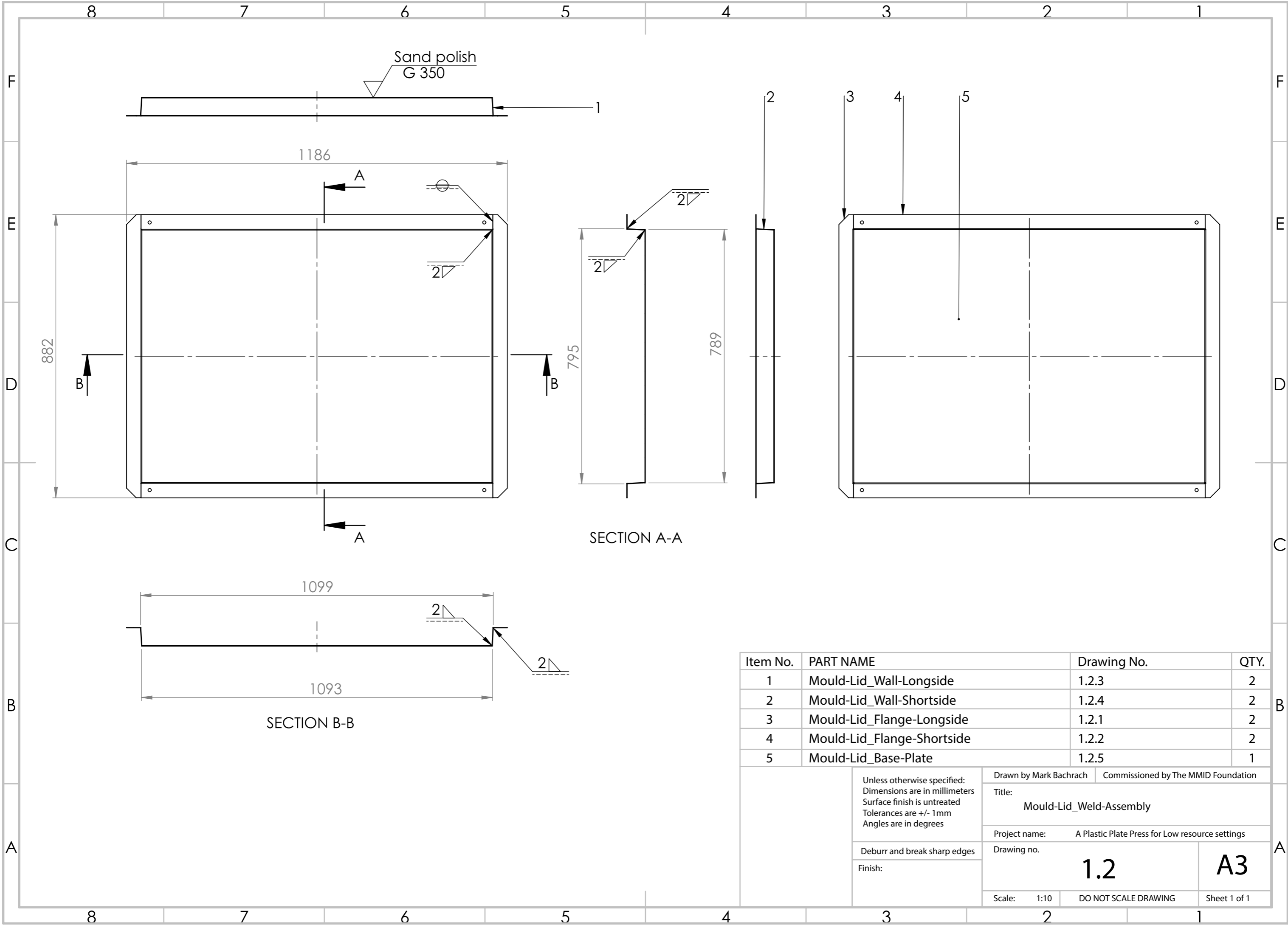
DO NOT SCALE DRAWING

Sheet 1 of 1



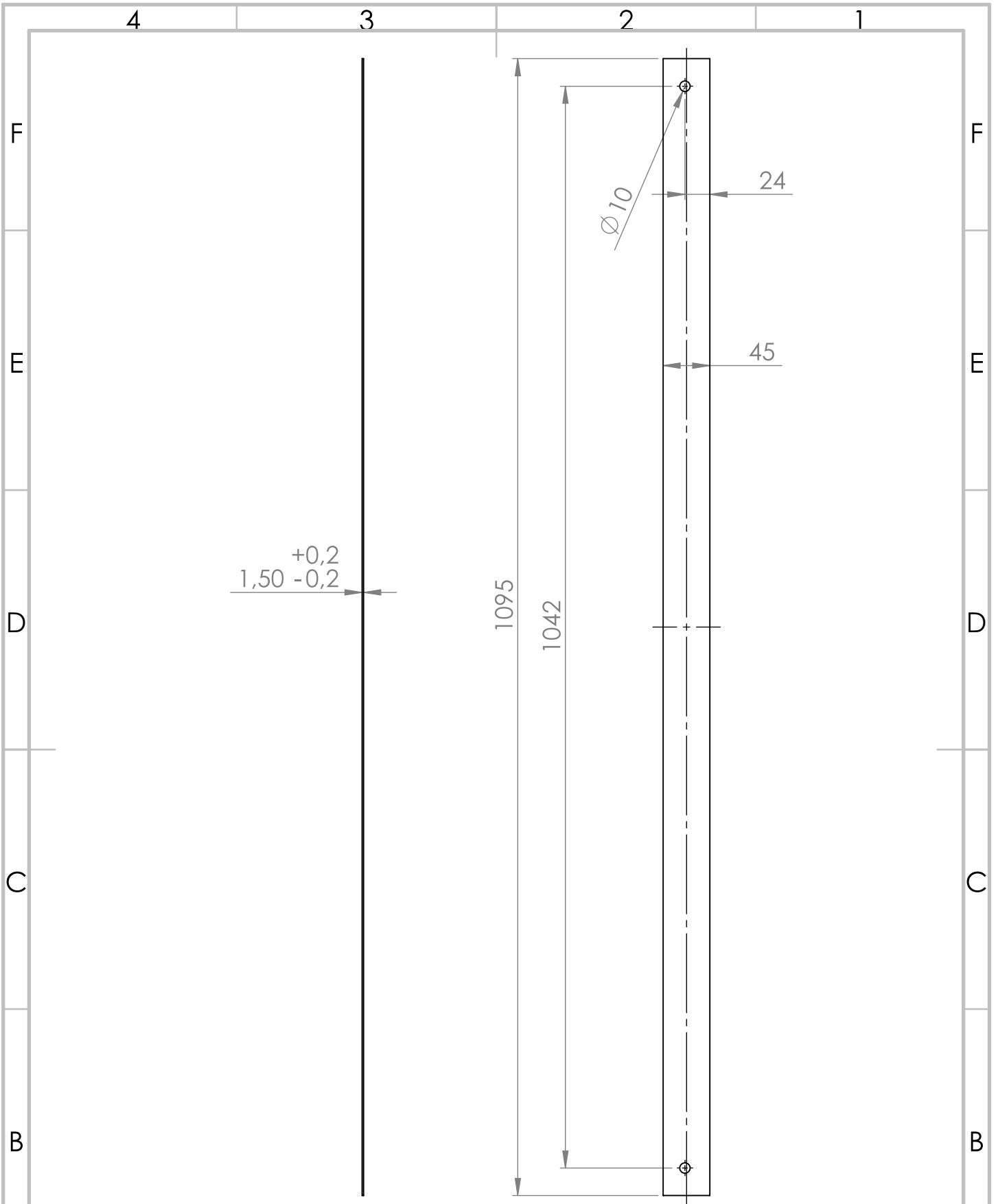
Comments: Based on Steel section 10x20 Match holes to baseplate	Unless otherwise specified: Dimensions are in millimeters Surface finish is untreated Tolerances are +/- 1mm Angles are in degrees	Drawn by Mark Bachrach	Commissioned by The MMID Foundation	
	Debur and break sharp edges	Title: Mould-Tub-Frame_Base-Bar-shortsides		A4
Material: Steel	Finish: Untreated (No rust)	Project name: A Plastic Plate Press for Low resource settings		
		Drawing no. 1.1.3.4		
Scale: 1:5		DO NOT SCALE DRAWING		Sheet 1 of 1

A.21.14. MOULD-LID WELD ASSEMBLY



Item No.	PART NAME	Drawing No.	QTY.
1	Mould-Lid_Wall-Longside	1.2.3	2
2	Mould-Lid_Wall-Shortside	1.2.4	2
3	Mould-Lid_Flange-Longside	1.2.1	2
4	Mould-Lid_Flange-Shortside	1.2.2	2
5	Mould-Lid_Base-Plate	1.2.5	1

Unless otherwise specified: Dimensions are in millimeters Surface finish is untreated Tolerances are +/- 1mm Angles are in degrees Debur and break sharp edges Finish:	Drawn by Mark Bachrach Commissioned by The MMID Foundation Title: Mould-Lid_Weld-Assembly
	Project name: A Plastic Plate Press for Low resource settings Drawing no. 1.2 A3
	Scale: 1:10 DO NOT SCALE DRAWING Sheet 1 of 1



Comments:

Unless otherwise specified:
 Dimensions are in millimeters
 Surface finish is untreated
 Tolerances are +/- 1mm
 Angles are in degrees

Deburr and break sharp edges

Material:
 Steel

Finish:
 Untreated
 (No rust)

Drawn by Mark Bachrach

Commissioned by The MMID Foundation

Title:

Mould-Lid-Flange-Longside

Project name: A Plastic Plate Press for Low resource settings

Drawing no.

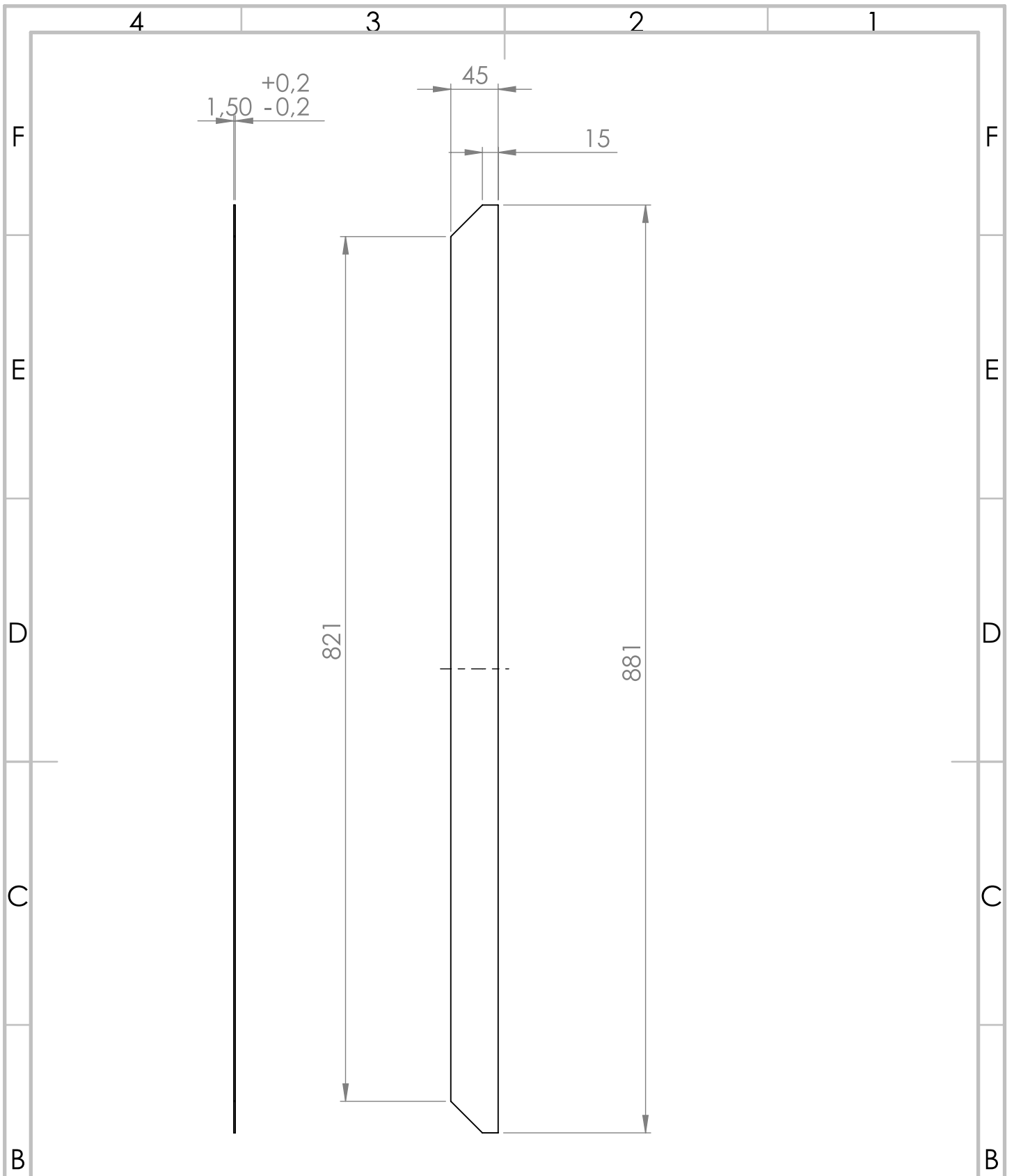
1.2.1

A4

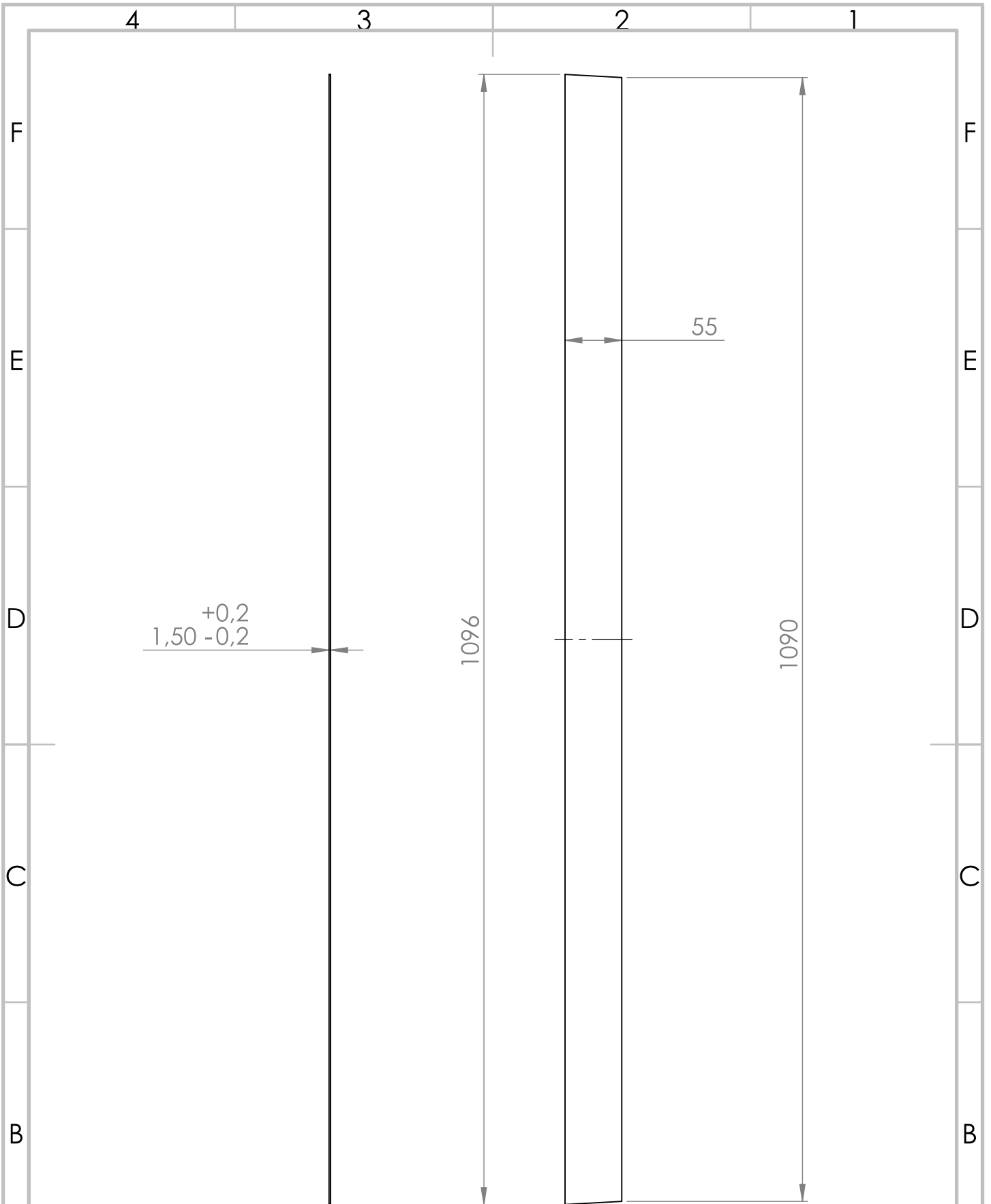
Scale: 1:5

DO NOT SCALE DRAWING

Sheet 1 of 1



Comments:	Unless otherwise specified: Dimensions are in millimeters Surface finish is untreated Tolerances are +/- 1mm Angles are in degrees	Drawn by Mark Bachrach	Commissioned by The MMID Foundation
		Title: Mould-Lid-Flange-shortsides	
Material: Steel	Finish: Untreated (No rust)	Project name: A Plastic Plate Press for Low resource settings	
		Drawing no.	
		1.2.2	A4
		Scale: 1:5	DO NOT SCALE DRAWING
			Sheet 1 of 1



Comments:

Unless otherwise specified:
 Dimensions are in millimeters
 Surface finish is untreated
 Tolerances are +/- 1mm
 Angles are in degrees

Drawn by Mark Bachrach

Commissioned by The MMID Foundation

Title:

Mould-Lid-Wall-Longside

Project name:

A Plastic Plate Press for Low resource settings

Drawing no.

1.2.3

A4

Material:

Steel

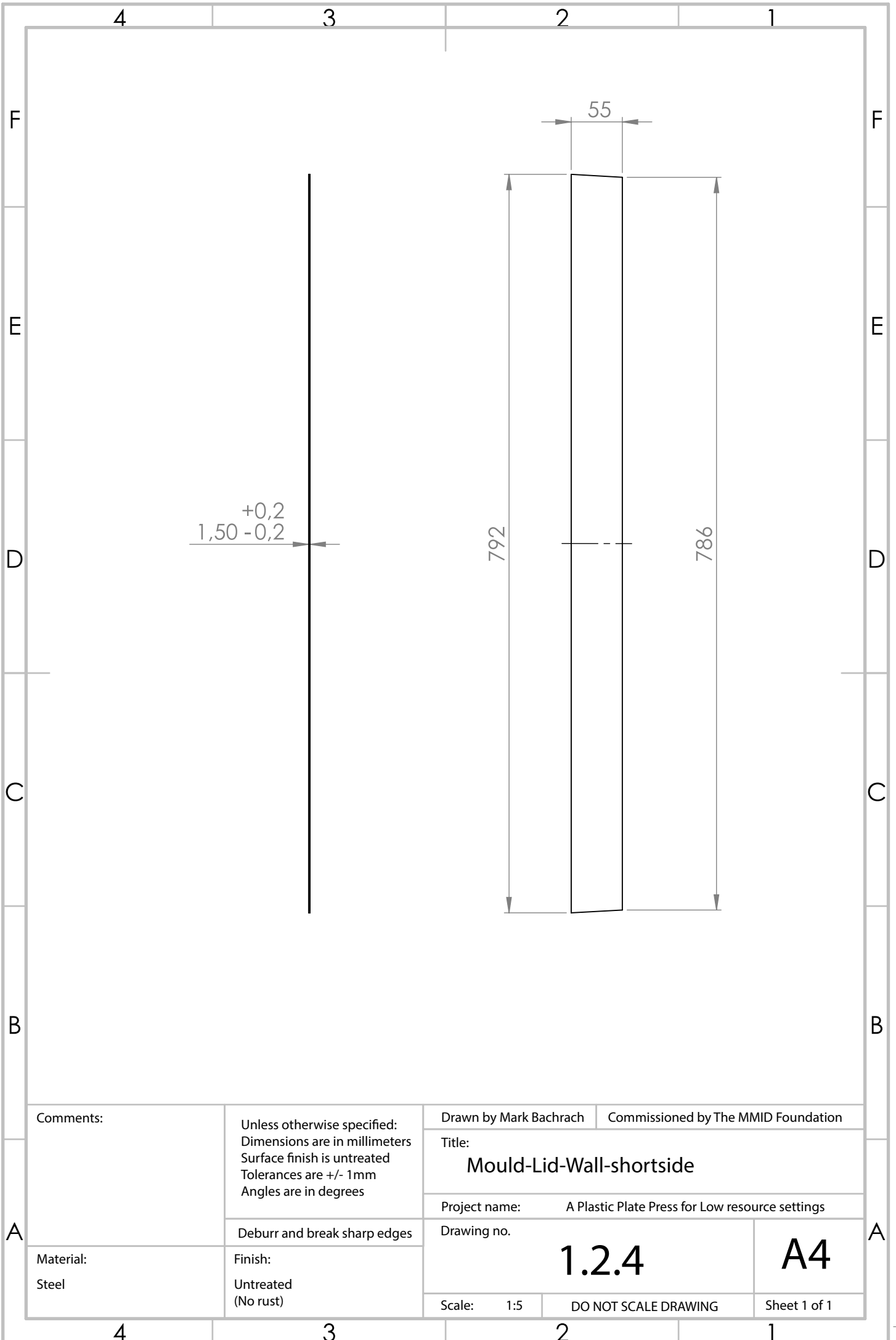
Finish:

Untreated
(No rust)

Scale: 1:5

DO NOT SCALE DRAWING

Sheet 1 of 1



Comments:

Unless otherwise specified:
 Dimensions are in millimeters
 Surface finish is untreated
 Tolerances are +/- 1mm
 Angles are in degrees

Drawn by Mark Bachrach

Commissioned by The MMID Foundation

Title:

Mould-Lid-Wall-shortside

Project name:

A Plastic Plate Press for Low resource settings

Drawing no.

1.2.4

A4

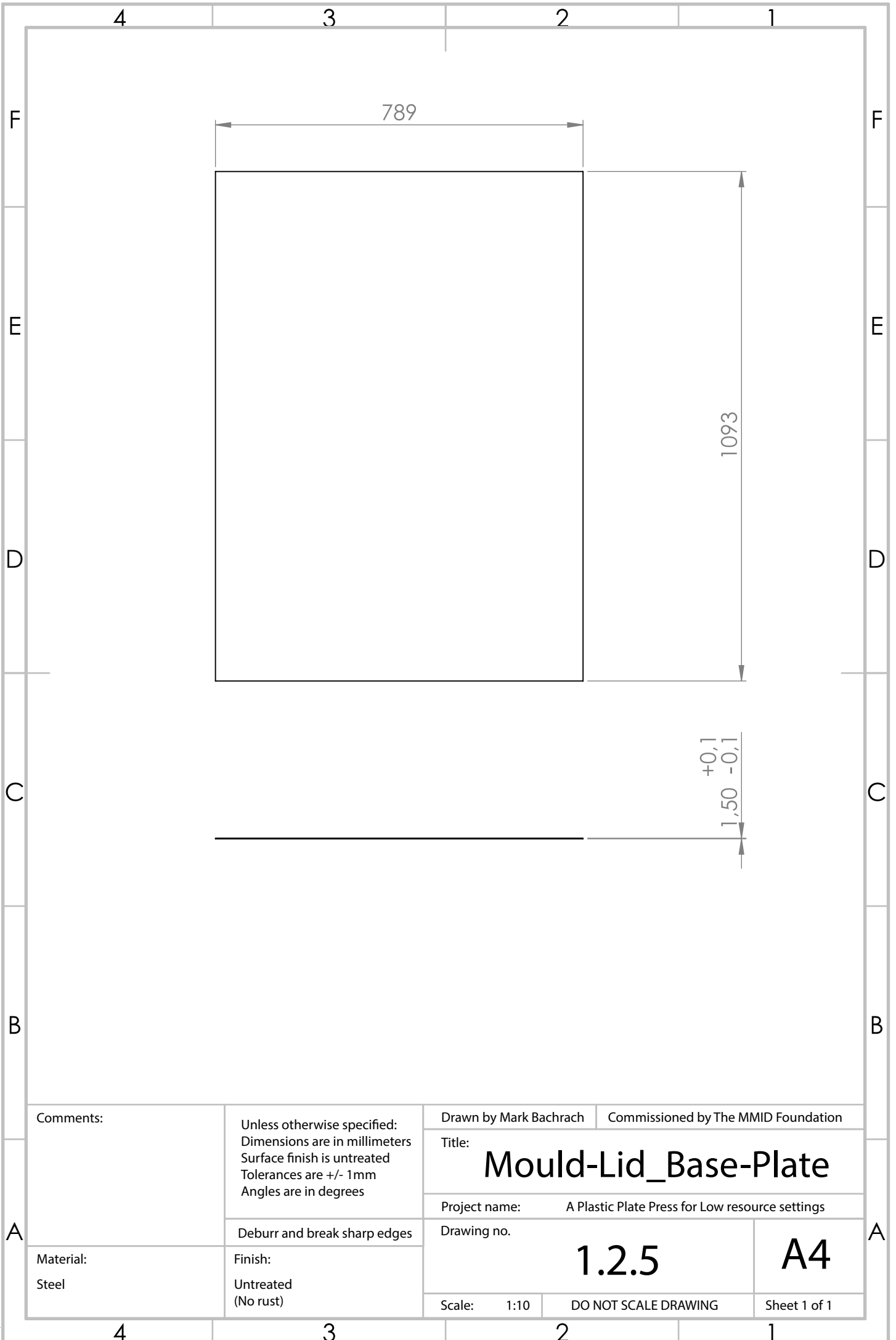
Material:
 Steel

Finish:
 Untreated
 (No rust)

Scale: 1:5

DO NOT SCALE DRAWING

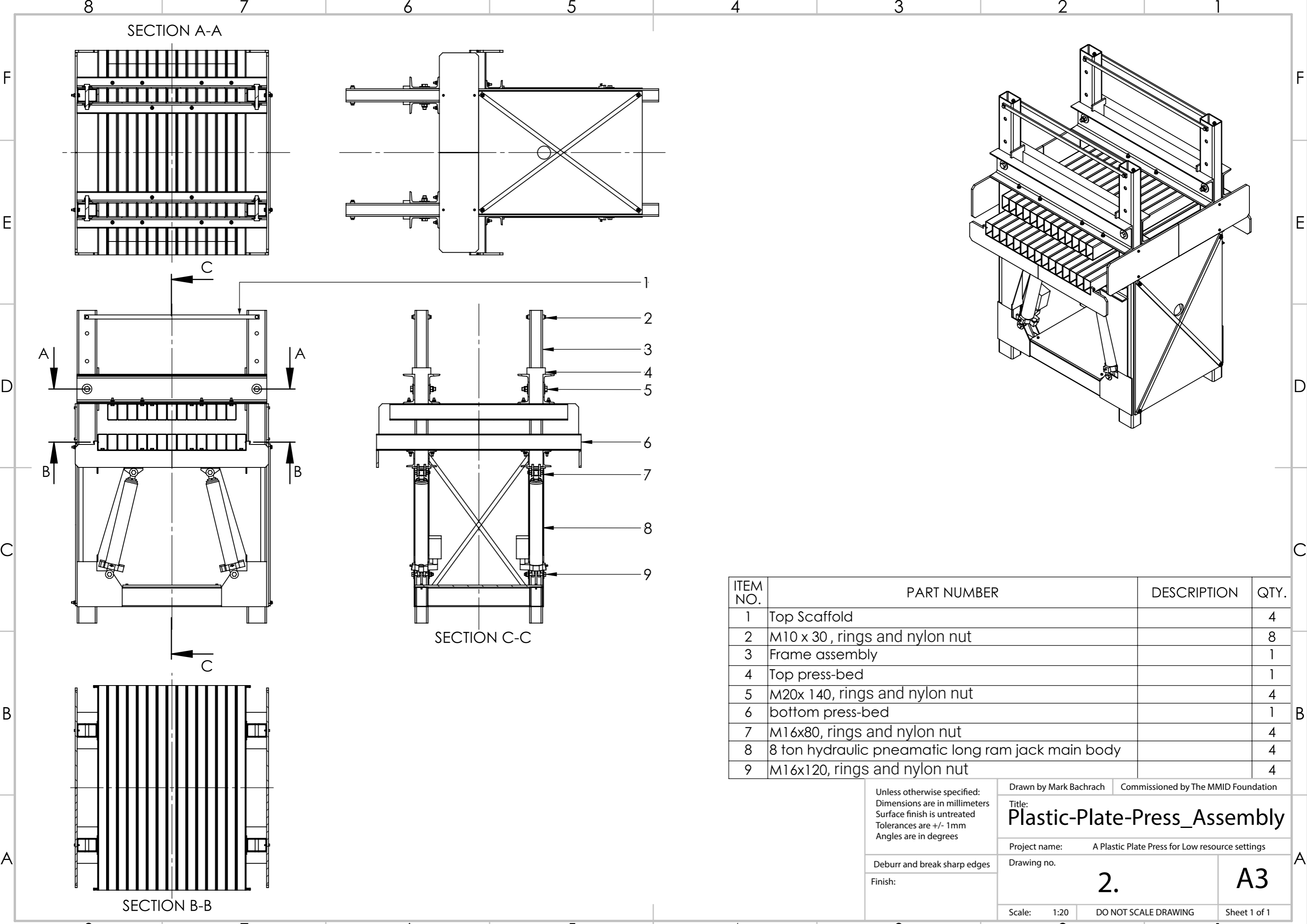
Sheet 1 of 1



Comments:	Unless otherwise specified: Dimensions are in millimeters Surface finish is untreated Tolerances are +/- 1mm Angles are in degrees	Drawn by Mark Bachrach	Commissioned by The MMID Foundation	
		Title: <h1>Mould-Lid_Base-Plate</h1>		
Material: Steel	Finish: Untreated (No rust)	Project name: A Plastic Plate Press for Low resource settings		
		Drawing no.		A4
		1.2.5		
Scale: 1:10		DO NOT SCALE DRAWING		Sheet 1 of 1

A.22. TECHNICAL DRAWING SET: PLATE PRESS

A.22.1. PLASTIC-PLATE-PRESS-ASSEMBLY



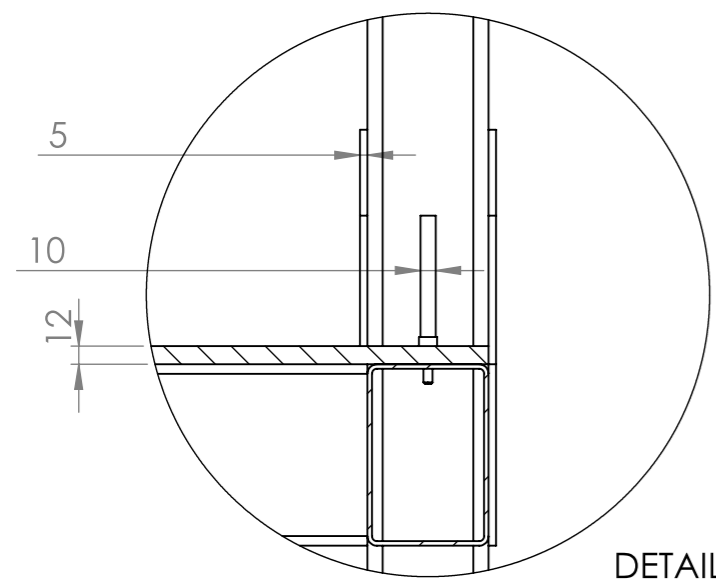
ITEM NO.	PART NUMBER	DESCRIPTION	QTY.
1	Top Scaffold		4
2	M10 x 30 , rings and nylon nut		8
3	Frame assembly		1
4	Top press-bed		1
5	M20x 140, rings and nylon nut		4
6	bottom press-bed		1
7	M16x80, rings and nylon nut		4
8	8 ton hydraulic pneumatic long ram jack main body		4
9	M16x120, rings and nylon nut		4

Unless otherwise specified:
 Dimensions are in millimeters
 Surface finish is untreated
 Tolerances are +/- 1mm
 Angles are in degrees

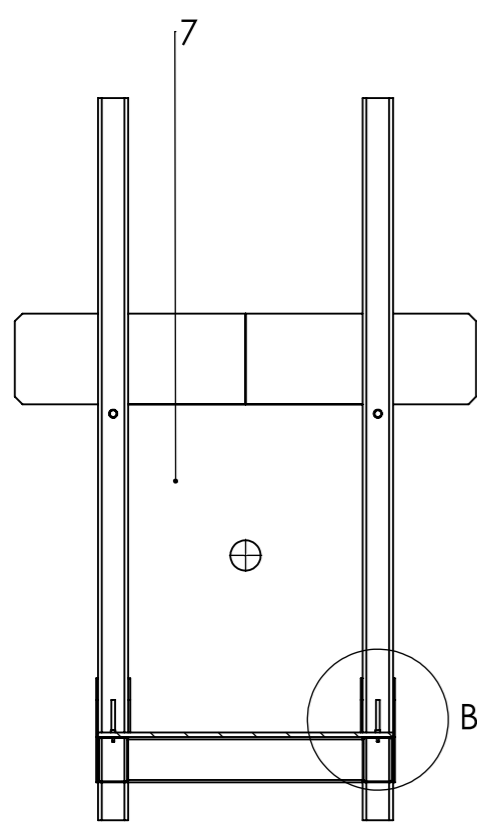
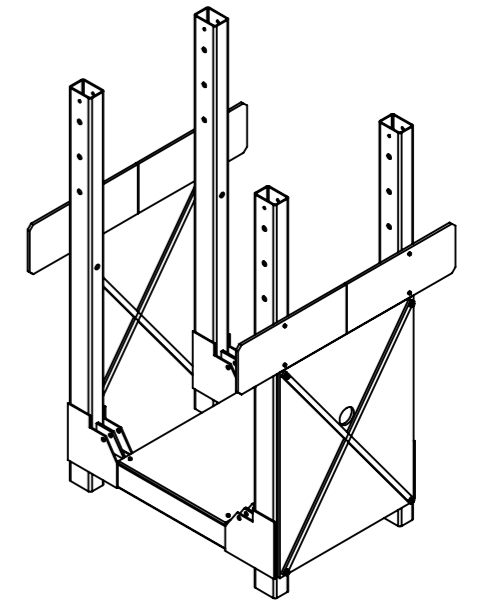
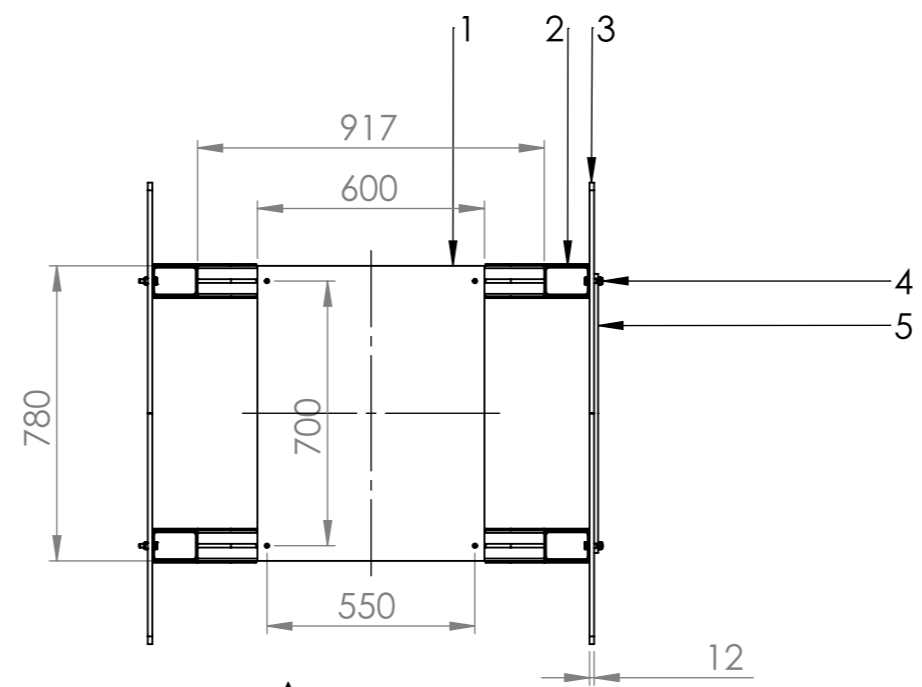
Debur and break sharp edges
 Finish:

Drawn by Mark Bachrach	Commissioned by The MMID Foundation	
Title: Plastic-Plate-Press_Assembly		
Project name:	A Plastic Plate Press for Low resource settings	
Drawing no.	2.	A3
Scale: 1:20	DO NOT SCALE DRAWING	Sheet 1 of 1

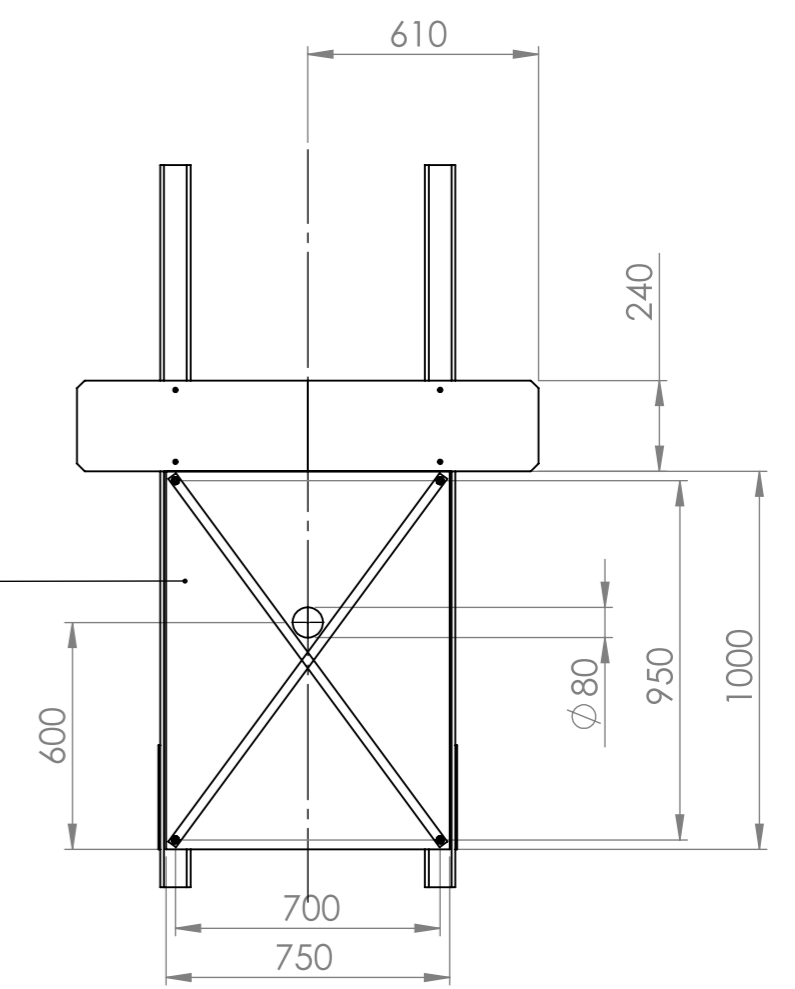
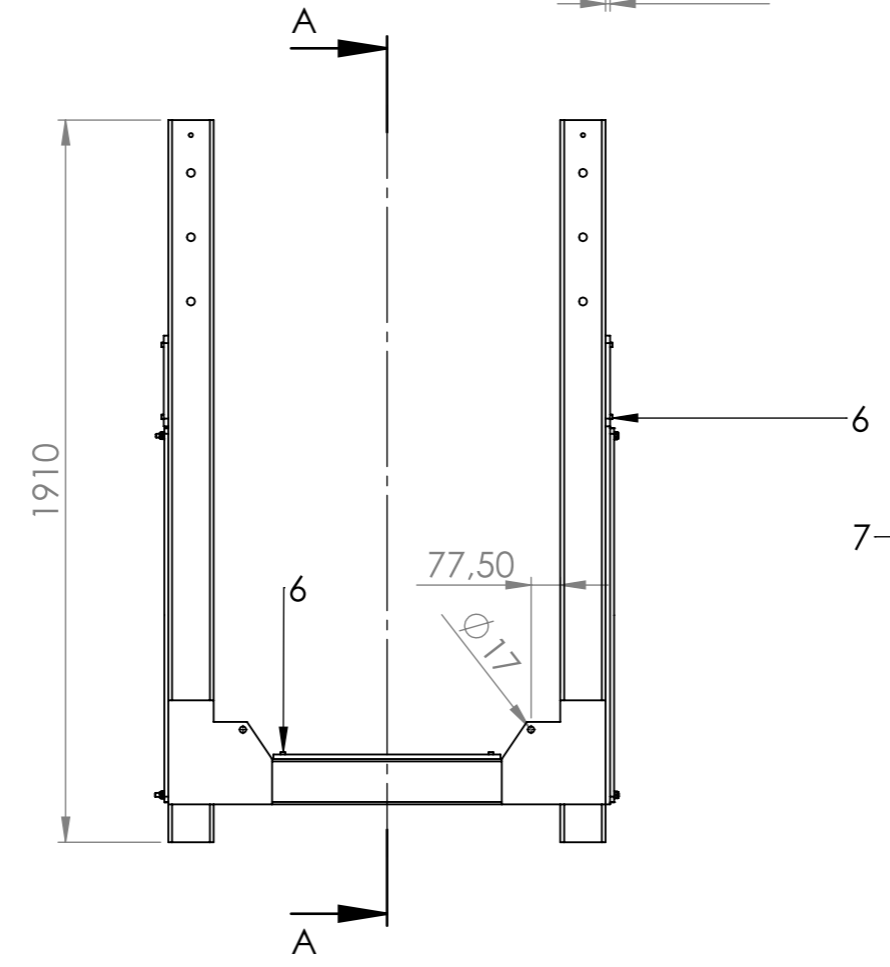
A.22.2. PRESS FRAME ASSEMBLY



DETAIL B
SCALE 1 : 5



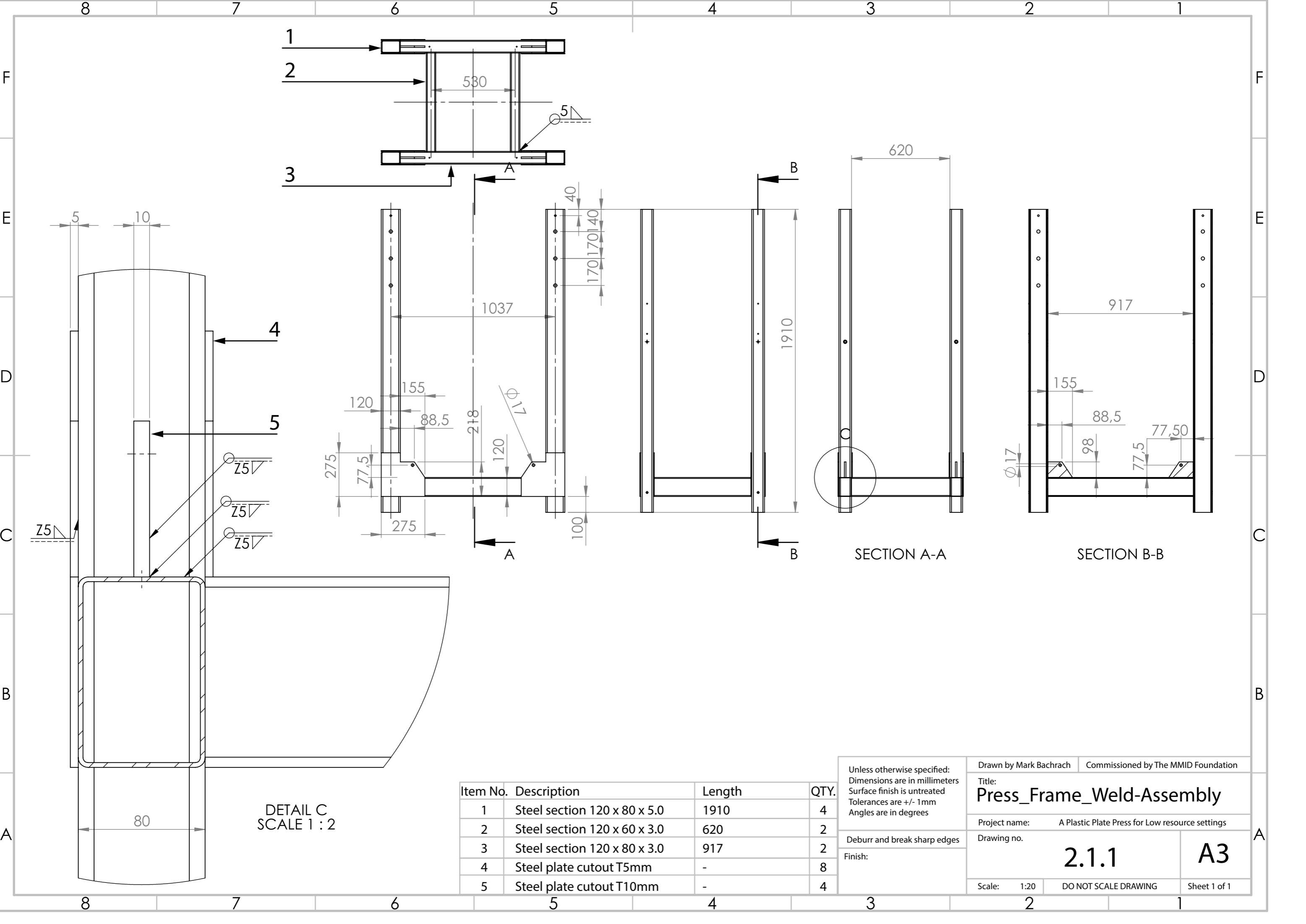
SECTION A-A



No.	Description	Draw. no.	QTY.
1	Plastic Plate cutout #1, T12mm	-	1
2	Press_Frame_Weld-Assembly	2.1.1	1
3	Plastic Plate cutout #2, T12mm	-	4
4	M10 x 40, rings and Nylon nut	-	8
5	Steel rod 10x20x1075	-	4
6	M6 x 25	-	12
7	Plastic Plate cutout #3, T12mm	-	1

Unless otherwise specified: Dimensions are in millimeters Surface finish is untreated Tolerances are +/- 1mm Angles are in degrees Deburr and break sharp edges Finish:	Drawn by Mark Bachrach Commissioned by The MMID Foundation
	Title: Press_Frame_Assembly
	Project name: A Plastic Plate Press for Low resource settings
	Drawing no. 2.1 A3
Scale: 1:20 DO NOT SCALE DRAWING Sheet 1 of 1	

A.22.3. PRESS FRAME WELD-ASSEMBLY



DETAIL C
SCALE 1 : 2

Item No.	Description	Length	QTY.
1	Steel section 120 x 80 x 5.0	1910	4
2	Steel section 120 x 60 x 3.0	620	2
3	Steel section 120 x 80 x 3.0	917	2
4	Steel plate cutout T5mm	-	8
5	Steel plate cutout T10mm	-	4

Unless otherwise specified:
 Dimensions are in millimeters
 Surface finish is untreated
 Tolerances are +/- 1mm
 Angles are in degrees

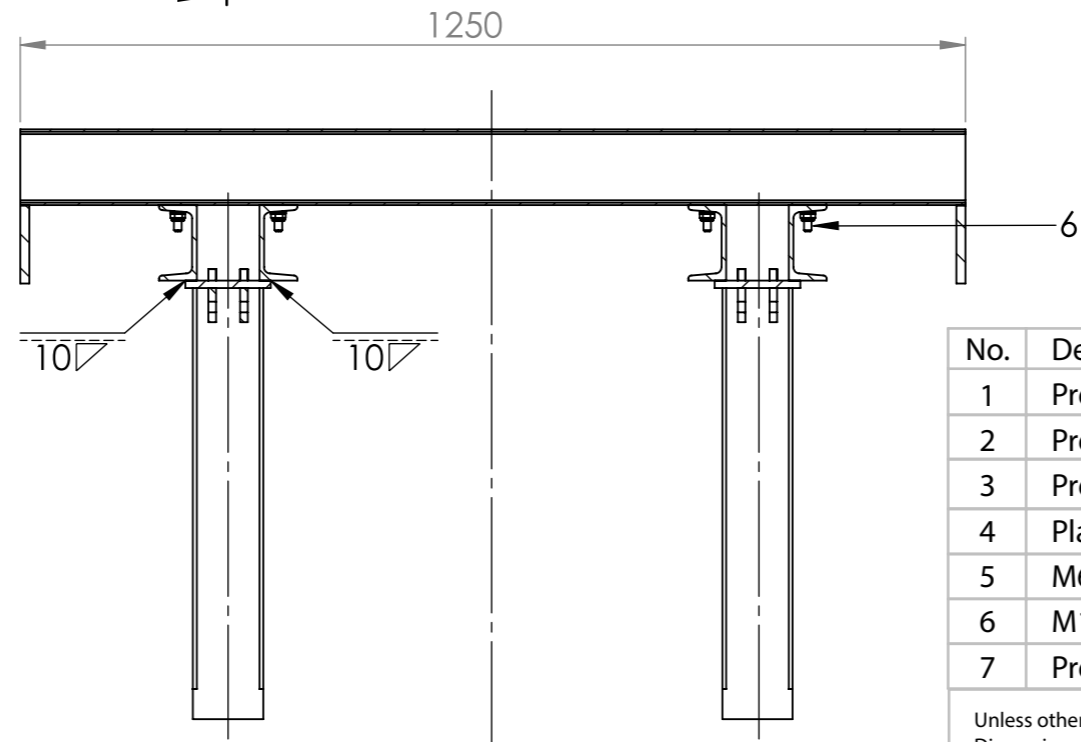
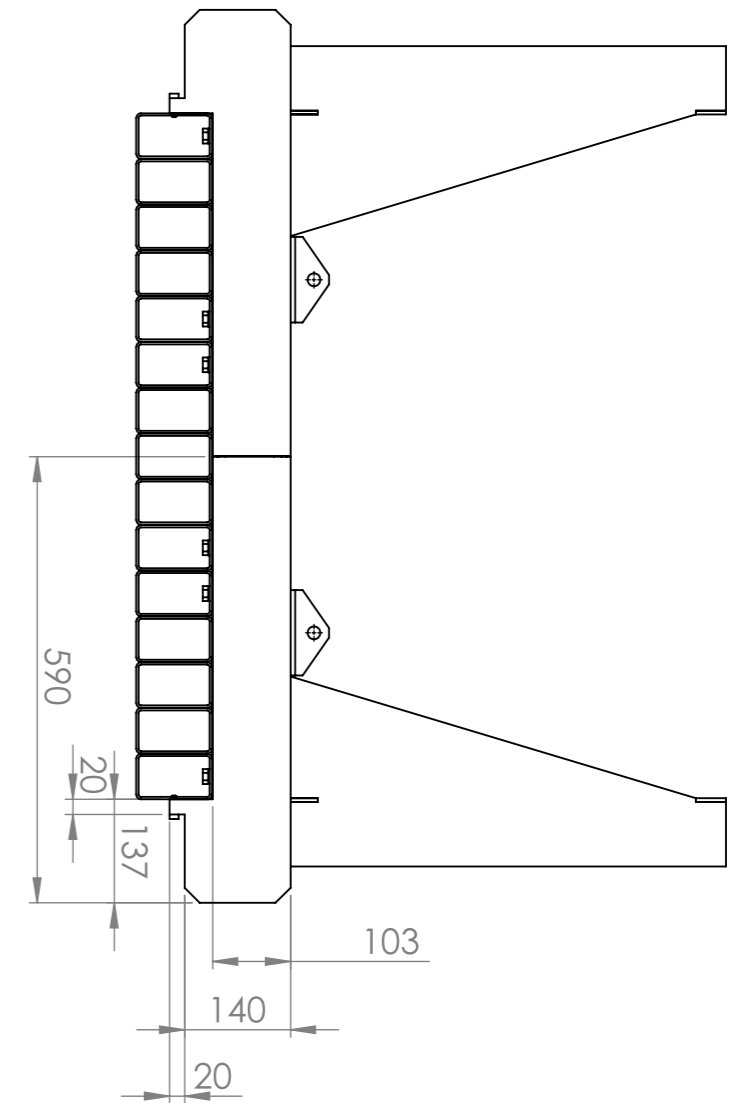
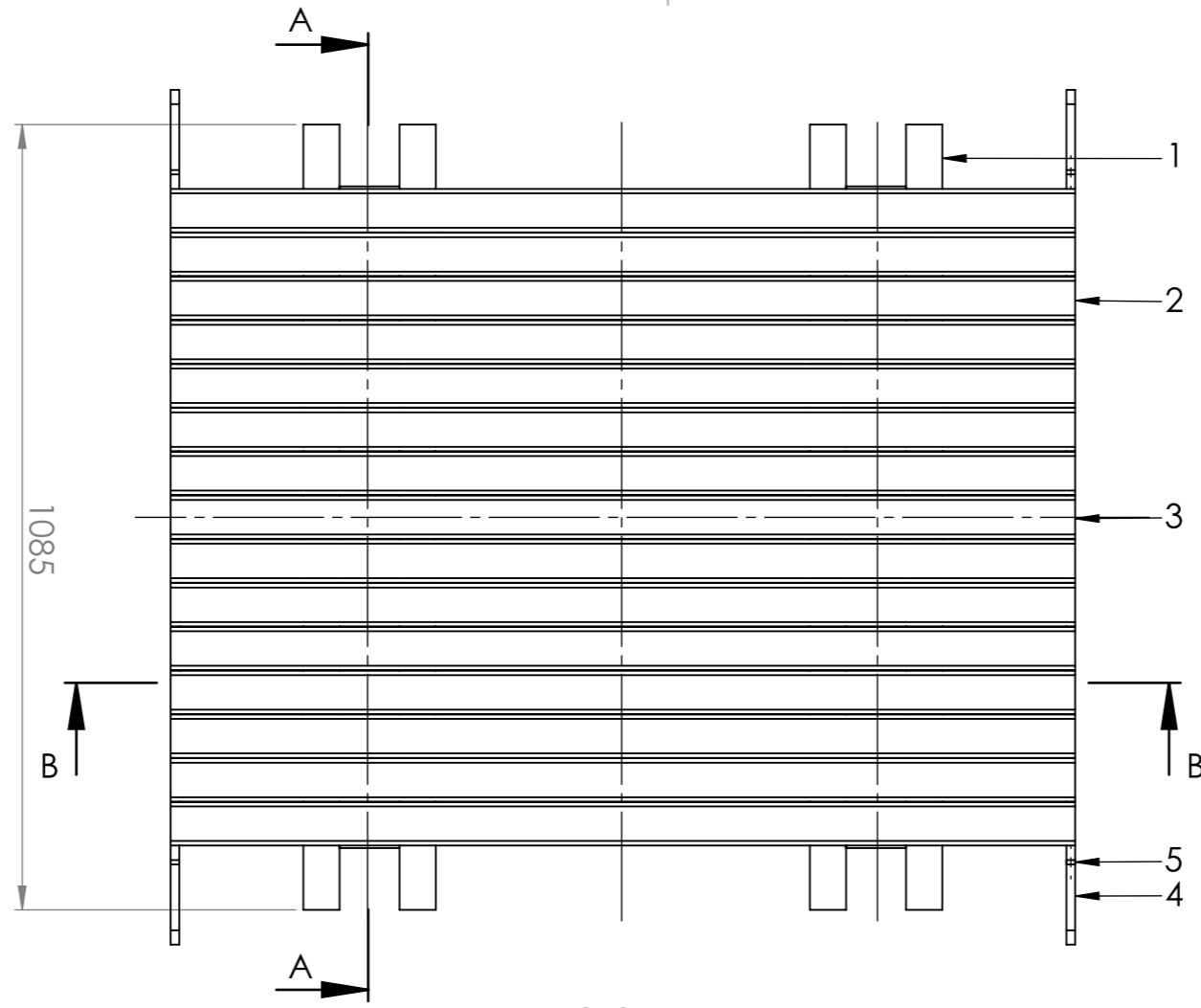
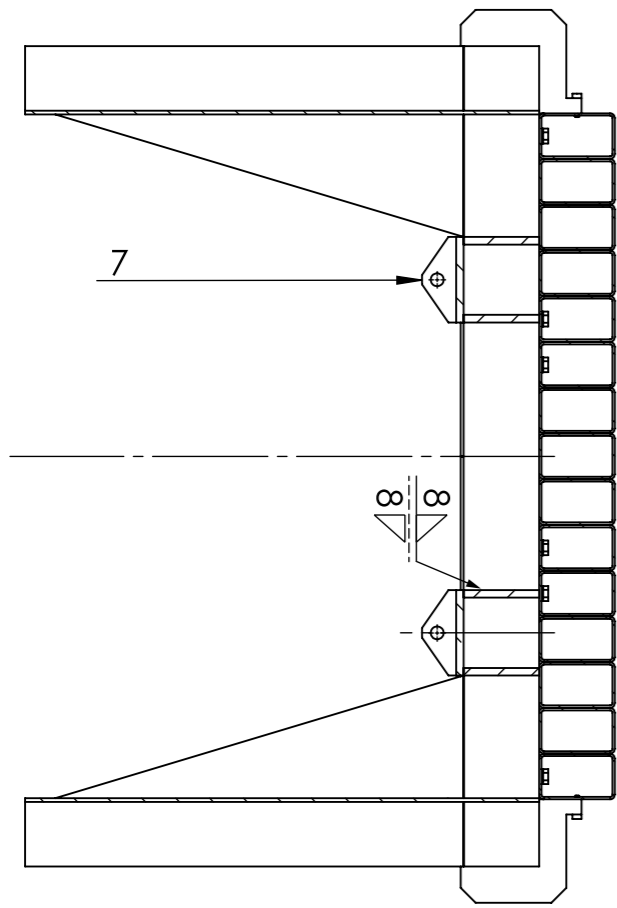
Debur and break sharp edges

Finish:

Drawn by Mark Bachrach		Commissioned by The MMID Foundation	
Title: Press_Frame_Weld-Assembly			
Project name:		A Plastic Plate Press for Low resource settings	
Drawing no.		2.1.1	A3
Scale:	1:20	DO NOT SCALE DRAWING	Sheet 1 of 1

A.22.4. PRESS BOTTOM-PRESS-BED ASSEMBLY

SECTION A-A



SECTION B-B

No.	Description	Draw. no.	QTY.
1	Press_Bottom-Press-Bed_Legs_Weld-Assembly	2.2.1	2
2	Press_Bottom-Press-Bed_Flatbed-side_Weld-Assembly	2.2.2	2
3	Press_Bottom-Press-Bed_Flatbed-Mid_Weld-Assembly	2.2.3	1
4	Plastic Plate Cutout T12mm	-	4
5	M6 x 25, rings and nylon nut	-	4
6	M10 x 40, rings and nylon nut	-	12
7	Press_Bottom-Press-Bed_Jack-Hand_Weld-Assembly	2.2.4	4

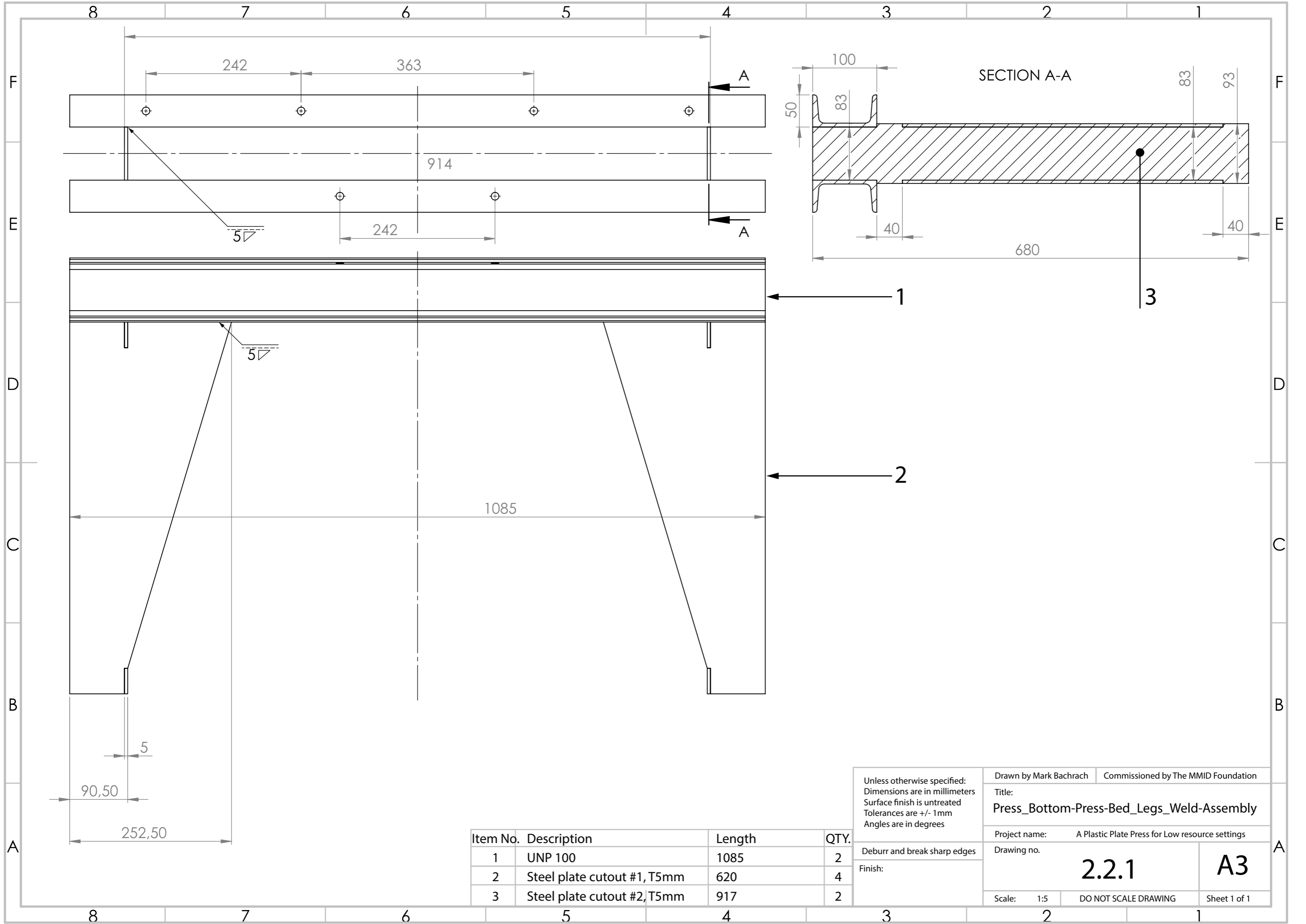
Unless otherwise specified:
 Dimensions are in millimeters
 Surface finish is untreated
 Tolerances are +/- 1mm
 Angles are in degrees

Deburr and break sharp edges

Finish:

Drawn by Mark Bachrach	Commissioned by The MMID Foundation	
Title: Press_Bottom-Press-Bed_Assembly		
Project name: A Plastic Plate Press for Low resource settings		
Drawing no. 2.2		A3
Scale: 1:10	DO NOT SCALE DRAWING	Sheet 1 of 1

A.22.5. PRESS BOTTOM-PRESS-BED LEGS WELD-ASSEMBLY



Item No.	Description	Length	QTY.
1	UNP 100	1085	2
2	Steel plate cutout #1, T5mm	620	4
3	Steel plate cutout #2, T5mm	917	2

Unless otherwise specified:
 Dimensions are in millimeters
 Surface finish is untreated
 Tolerances are +/- 1mm
 Angles are in degrees

Deburr and break sharp edges

Finish:

Drawn by Mark Bachrach Commissioned by The MMID Foundation

Title:
Press_Bottom-Press-Bed_Legs_Weld-Assembly

Project name: A Plastic Plate Press for Low resource settings

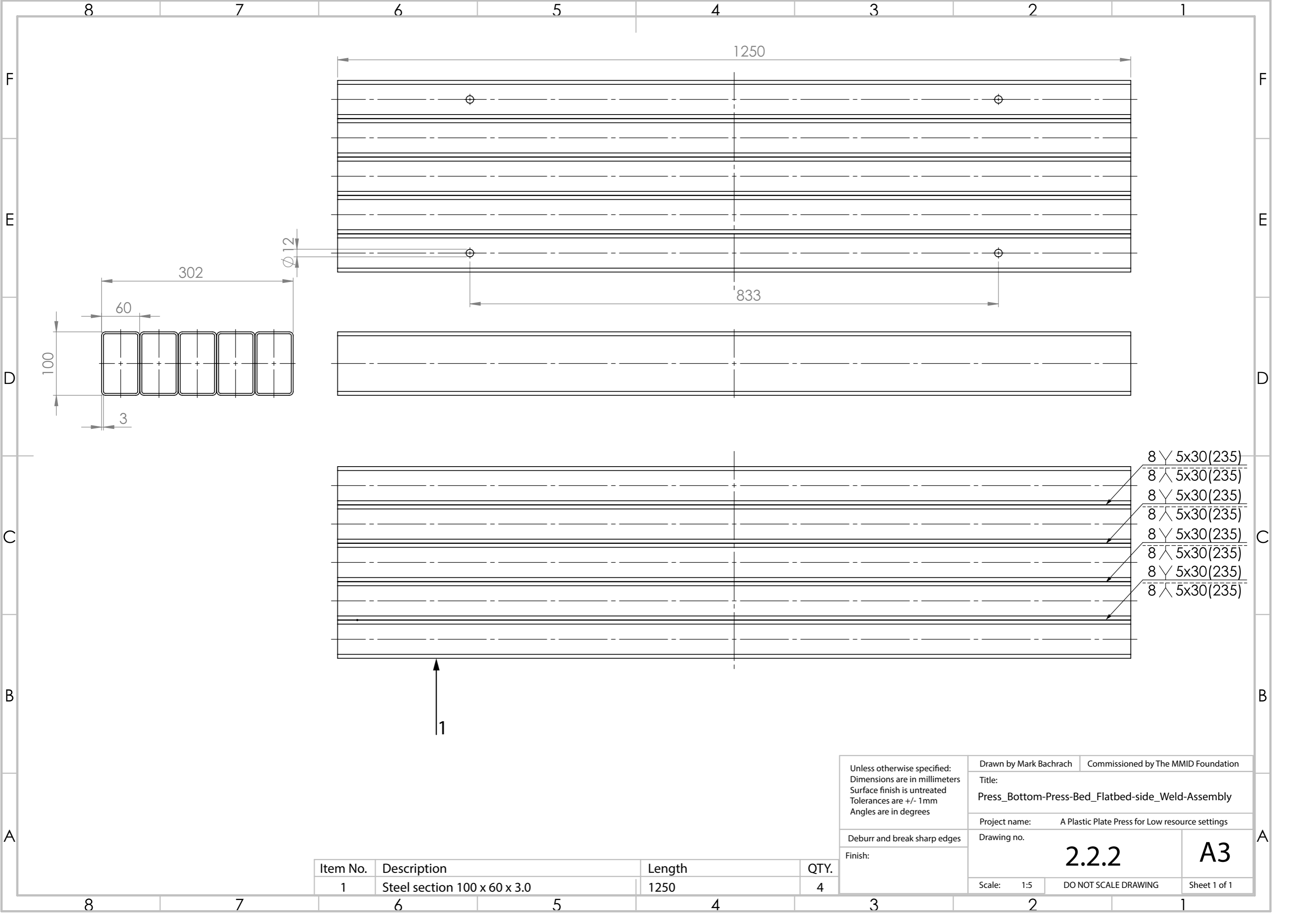
Drawing no.

2.2.1

A3

Scale: 1:5 DO NOT SCALE DRAWING Sheet 1 of 1

A.22.6. PRESS BOTTOM-PRESS-BED FLATBED-SIDE WELD-ASSEMBLY

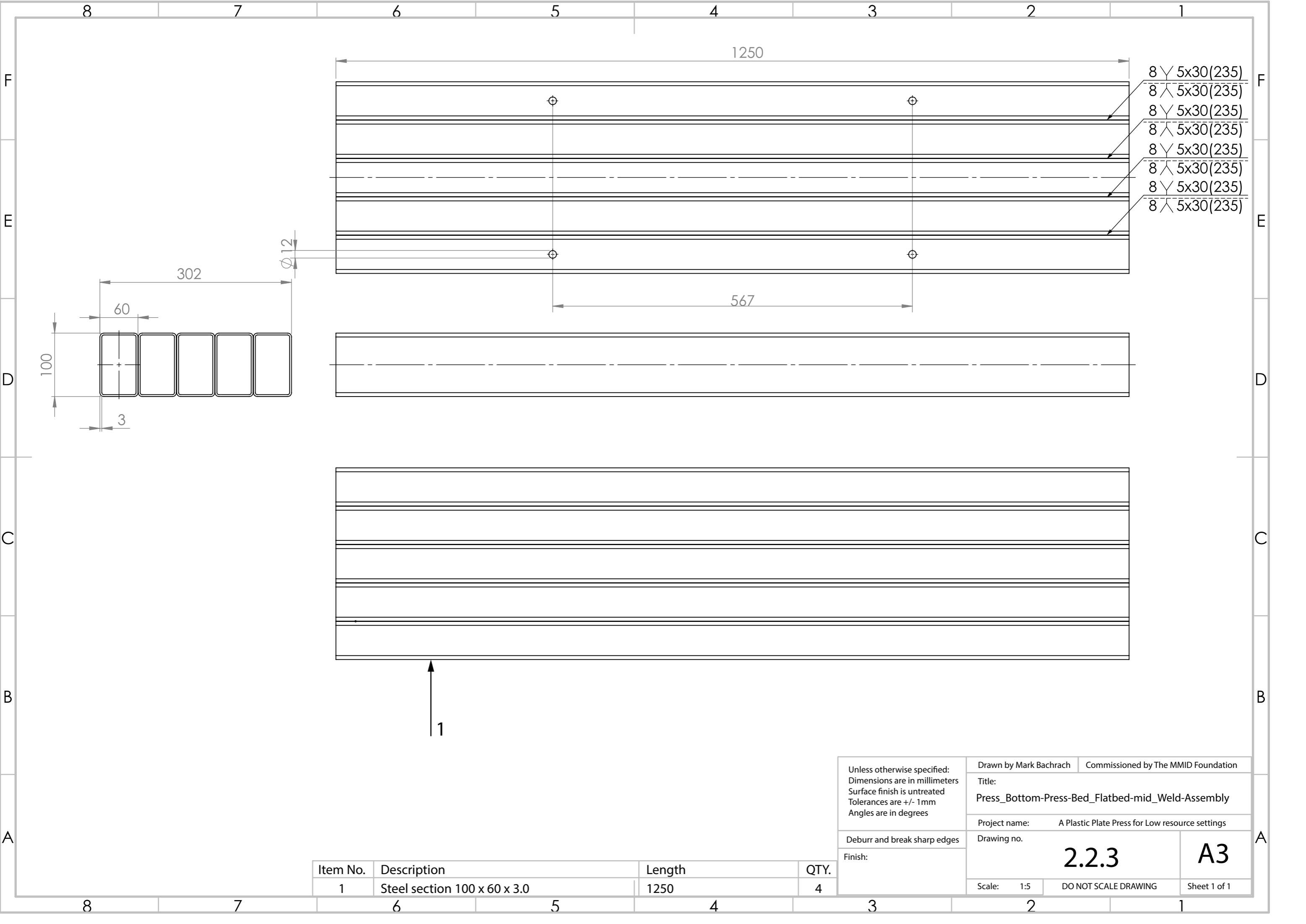


- 8 √ 5x30(235)
- 8 ∧ 5x30(235)
- 8 √ 5x30(235)
- 8 ∧ 5x30(235)
- 8 √ 5x30(235)
- 8 ∧ 5x30(235)
- 8 √ 5x30(235)
- 8 ∧ 5x30(235)

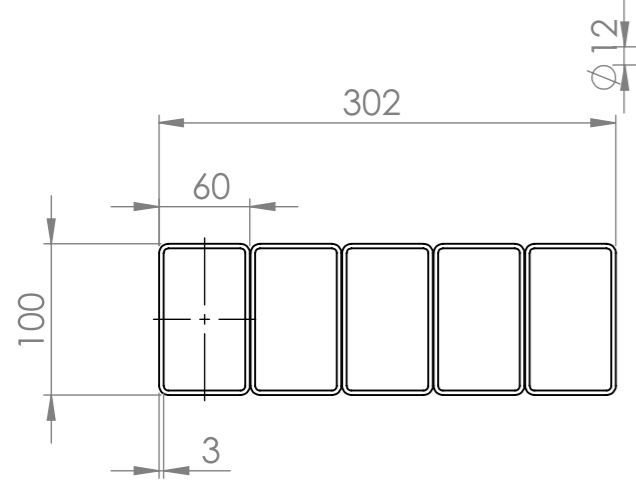
Unless otherwise specified: Dimensions are in millimeters Surface finish is untreated Tolerances are +/- 1mm Angles are in degrees	Drawn by Mark Bachrach Commissioned by The MMID Foundation
	Title: Press_Bottom-Press-Bed_Flatbed-side_Weld-Assembly
	Project name: A Plastic Plate Press for Low resource settings
	Drawing no. 2.2.2 A3
Deburr and break sharp edges	Scale: 1:5 DO NOT SCALE DRAWING Sheet 1 of 1
Finish:	

Item No.	Description	Length	QTY.
1	Steel section 100 x 60 x 3.0	1250	4

A.22.7. PRESS BOTTOM-PRESS-BED FLATBED-MID WELD-ASSEMBLY



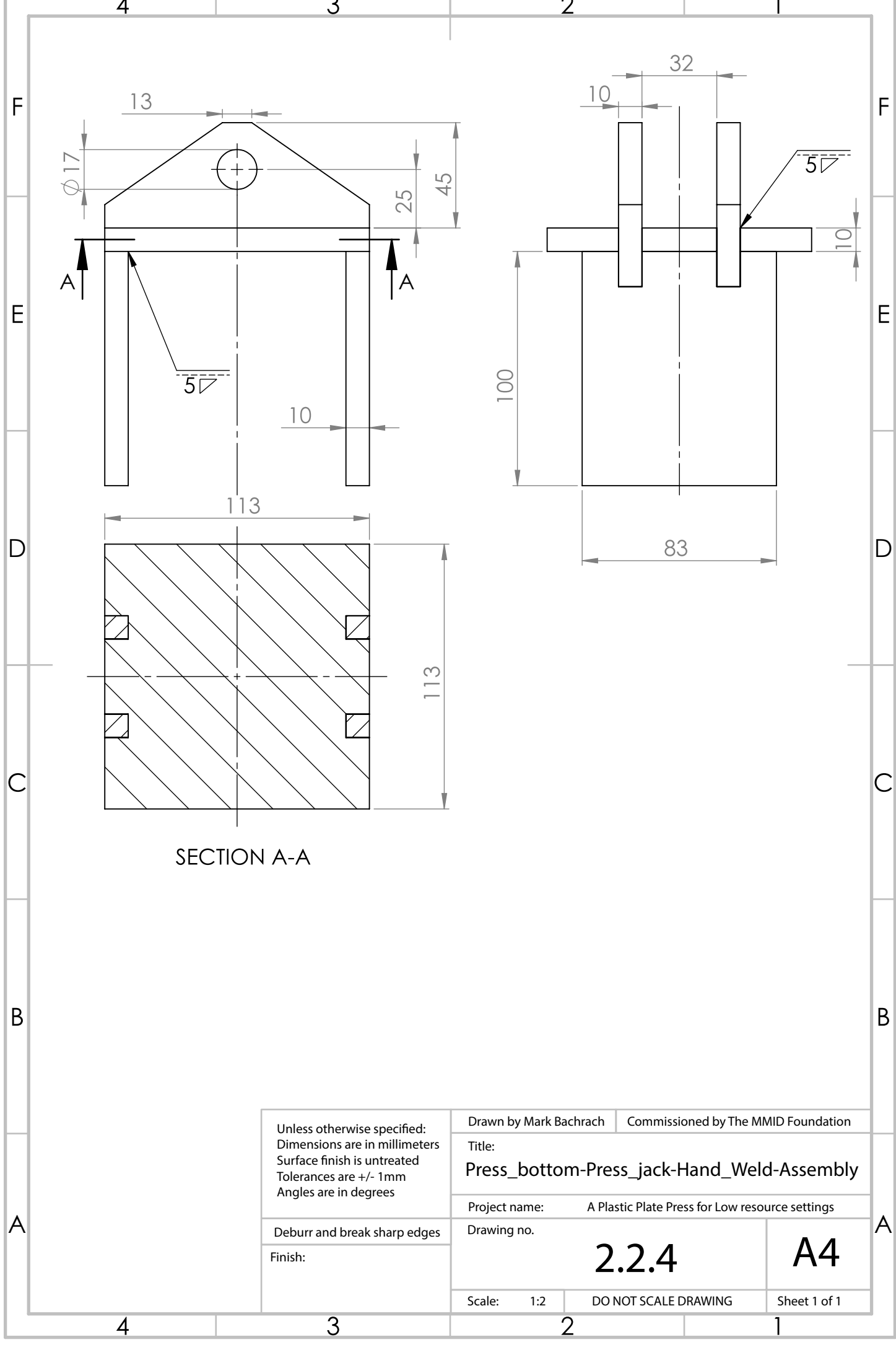
8 ∇ 5x30(235)
 8 ∨ 5x30(235)
 8 ∇ 5x30(235)
 8 ∨ 5x30(235)
 8 ∇ 5x30(235)
 8 ∨ 5x30(235)
 8 ∇ 5x30(235)
 8 ∨ 5x30(235)



Item No.	Description	Length	QTY.
1	Steel section 100 x 60 x 3.0	1250	4

Unless otherwise specified: Dimensions are in millimeters Surface finish is untreated Tolerances are +/- 1mm Angles are in degrees	Drawn by Mark Bachrach Title: Press_Bottom-Press-Bed_Flatbed-mid_Weld-Assembly	Commissioned by The MMID Foundation	
	Project name: A Plastic Plate Press for Low resource settings		
	Drawing no.	2.2.3	A3
	Scale: 1:5	DO NOT SCALE DRAWING	Sheet 1 of 1

A.22.8. PRESS BOTTOM-PRESS-BED JACK-HAND WELD-ASSEMBLY



SECTION A-A

Unless otherwise specified:
 Dimensions are in millimeters
 Surface finish is untreated
 Tolerances are +/- 1mm
 Angles are in degrees

Deburr and break sharp edges

Finish:

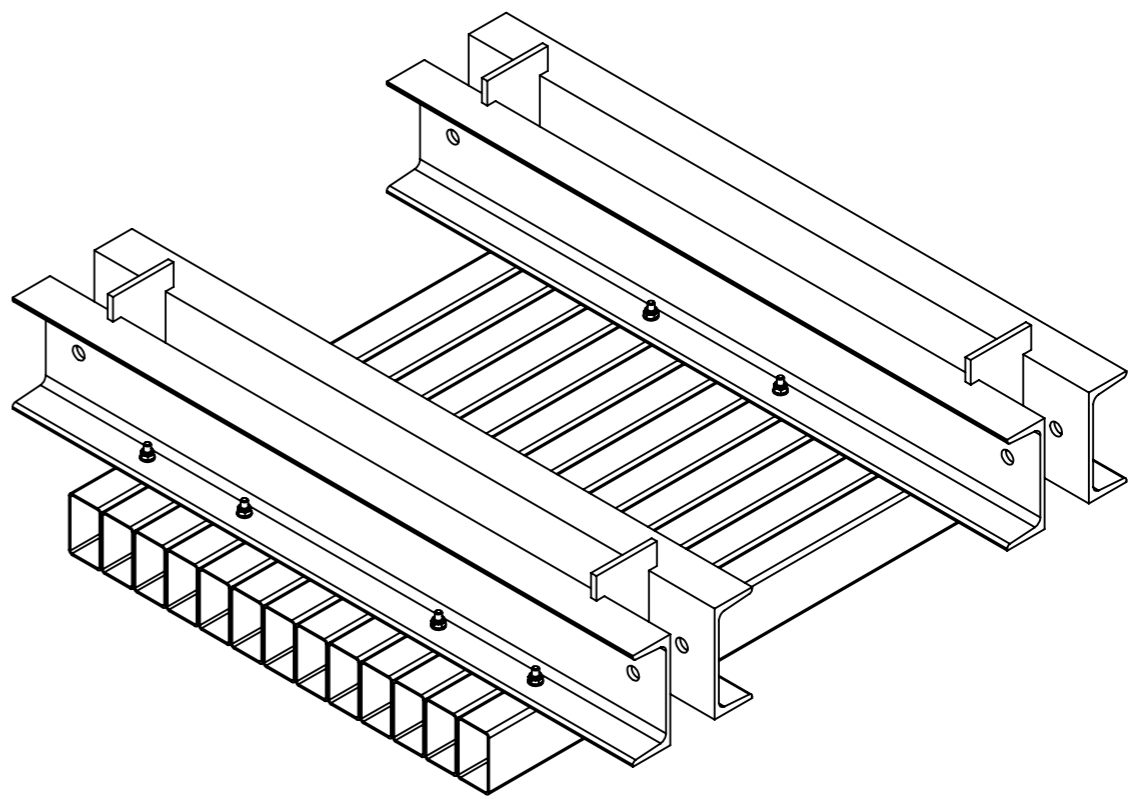
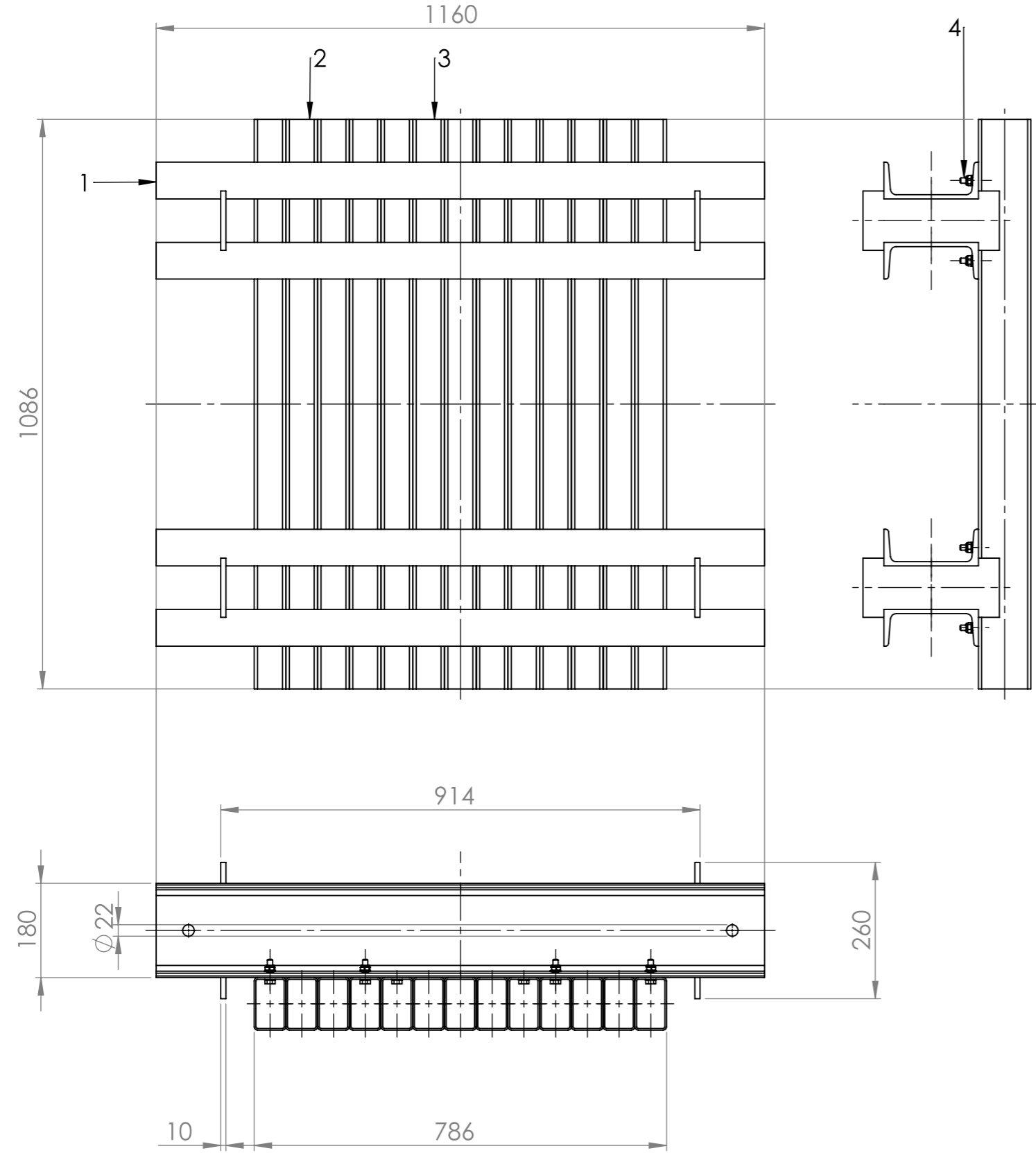
Drawn by Mark Bachrach	Commissioned by The MMID Foundation	
Title: Press_bottom-Press_jack-Hand_Weld-Assembly		
Project name: A Plastic Plate Press for Low resource settings		
Drawing no.		A4
2.2.4		
Scale: 1:2	DO NOT SCALE DRAWING	Sheet 1 of 1

A.22.9. PRESS TOP-PRESS-BED ASSEMBLY

8 7 6 5 4 3 2 1

F
E
D
C
B
A

F
E
D
C
B
A



Item No.	Description	Draw. no.	QTY.
1	Press_Top-Press-Bed_Beam_Weld-Assembly	2.3.1	1
2	Press_Top-Press-Bed_Flatbed-side_Weld-Assembly	2.3.2	2
3	Press_Top-Press-Bed_Flatbed-Mid_Weld-Assembly	2.3.3	1
4	M10x 40, Rings and Nylon nut	-	12

Unless otherwise specified:
 Dimensions are in millimeters
 Surface finish is untreated
 Tolerances are +/- 1mm
 Angles are in degrees

Drawn by Mark Bachrach Commissioned by The MMID Foundation

Title:
Press_Top-Press-Bed_Assembly

Project name: A Plastic Plate Press for Low resource settings

Drawing no. **2.3** **A3**

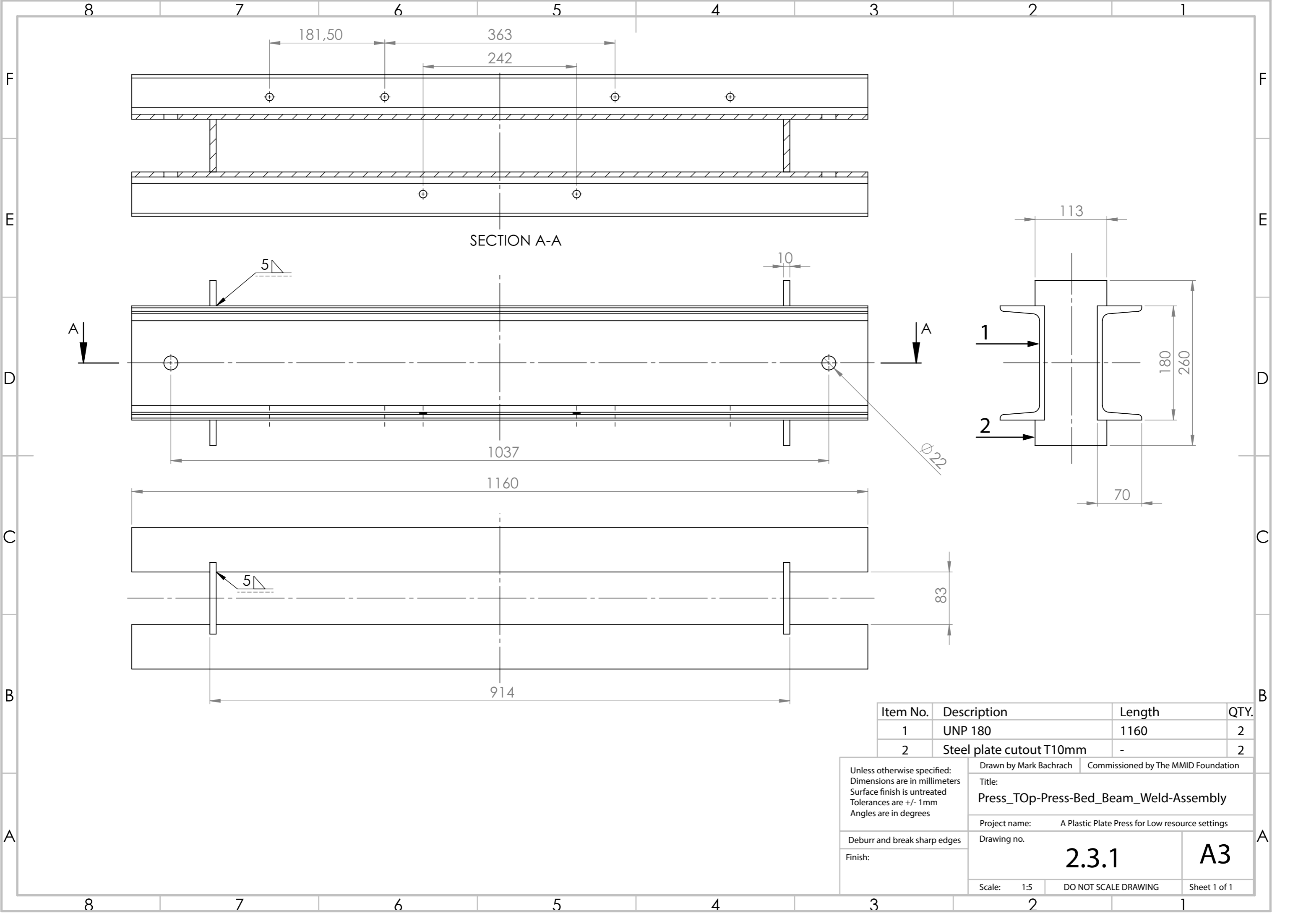
Scale: 1:10 DO NOT SCALE DRAWING Sheet 1 of 1

8 7 6 5 4 3 2 1

A

A

A.22.10. PRESS TOP-PRESS-BED BEAM WELD-ASSEMBLY

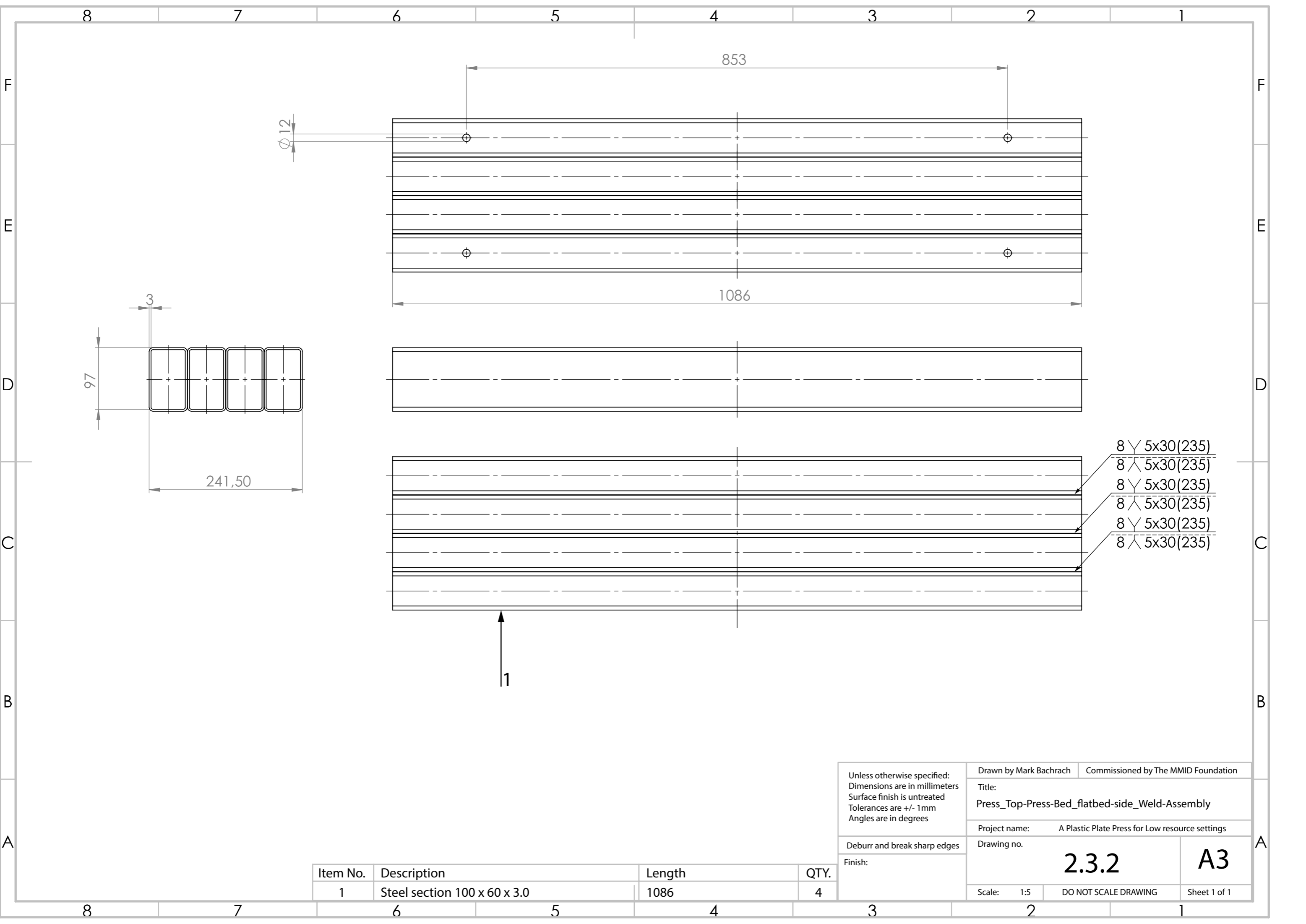


SECTION A-A

Item No.	Description	Length	QTY.
1	UNP 180	1160	2
2	Steel plate cutout T10mm	-	2

Unless otherwise specified: Dimensions are in millimeters Surface finish is untreated Tolerances are +/- 1mm Angles are in degrees Deburr and break sharp edges Finish:	Drawn by Mark Bachrach Title: Press_Top-Press-Bed_Beam_Weld-Assembly	Commissioned by The MMID Foundation		
	Project name: A Plastic Plate Press for Low resource settings			
	Drawing no.		2.3.1	A3
	Scale: 1:5	DO NOT SCALE DRAWING	Sheet 1 of 1	

A.22.11. PRESS TOP-PRESS-BED FLATBED-SIDE WELD-ASSEMBLY



Ø 12

853

1086

3

97

241,50

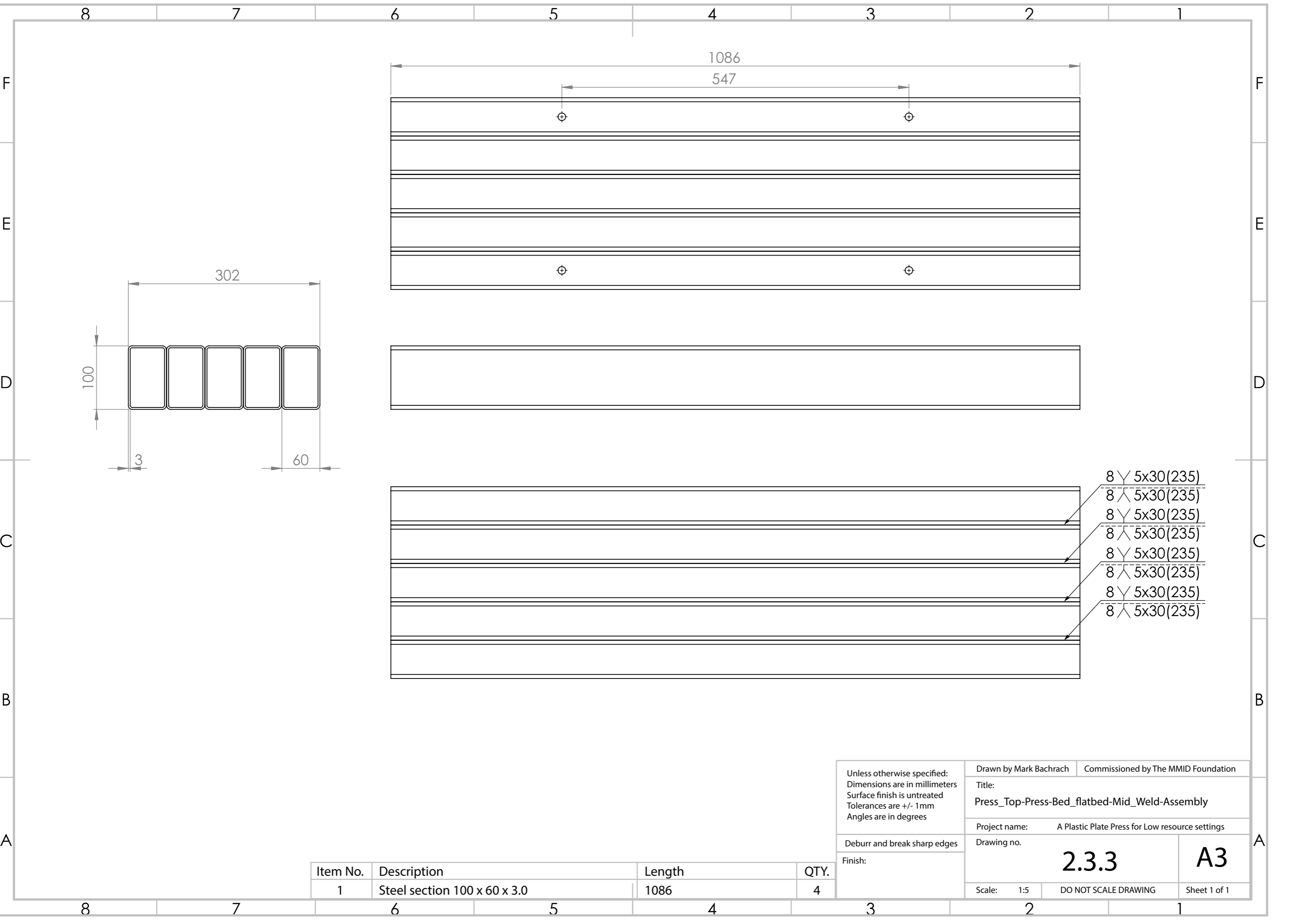
8 ∇ 5x30(235)
 8 ∧ 5x30(235)
 8 ∇ 5x30(235)
 8 ∧ 5x30(235)
 8 ∇ 5x30(235)
 8 ∧ 5x30(235)

1

Item No.	Description	Length	QTY.
1	Steel section 100 x 60 x 3.0	1086	4

Unless otherwise specified: Dimensions are in millimeters Surface finish is untreated Tolerances are +/- 1mm Angles are in degrees Deburr and break sharp edges Finish:	Drawn by Mark Bachrach Commissioned by The MMID Foundation
	Title: Press_Top-Press-Bed_flatbed-side_Weld-Assembly
	Project name: A Plastic Plate Press for Low resource settings
	Drawing no. 2.3.2 A3
Scale: 1:5 DO NOT SCALE DRAWING Sheet 1 of 1	

A.22.12. PRESS TOP-PRESS-BED FLATBED-MID WELD-ASSEMBLY



Unless otherwise specified:
 Dimensions are in millimeters
 Surface finish is untreated
 Tolerances are +/- 1mm
 Angles are in degrees

Deburr and break sharp edges

Finish:

Drawn by Mark Bachrach	Commissioned by The MMID Foundation	
Title: Press_Top-Press-Bed_flatbed-Mid_Weld-Assembly		
Project name:	A Plastic Plate Press for Low resource settings	
Drawing no.	2.3.3	A3
Scale:	1:5	DO NOT SCALE DRAWING
		Sheet 1 of 1

Item No.	Description	Length	QTY.
1	Steel section 100 x 60 x 3.0	1086	4

8 √ 5x30(235)
 8 ∧ 5x30(235)
 8 √ 5x30(235)
 8 ∧ 5x30(235)
 8 √ 5x30(235)
 8 ∧ 5x30(235)
 8 √ 5x30(235)
 8 ∧ 5x30(235)

An aerial photograph of a forest with a white rectangular text box centered over it. The forest floor is covered in a dense layer of fallen leaves and branches, creating a complex, textured pattern of light and dark grey tones. The text box is white and contains several lines of black text.

Master Thesis - Appendix

“A locally producible plastic plate press
for bottom-up recycling
in low-resource settings”

A design assignment commissioned by
The MMID Foundation

Graduate student
Mark Bachrach

Delft, Juli 2018

Delft University of Technology
Faculty of Industrial Design Engineering
Master Integrated Product design