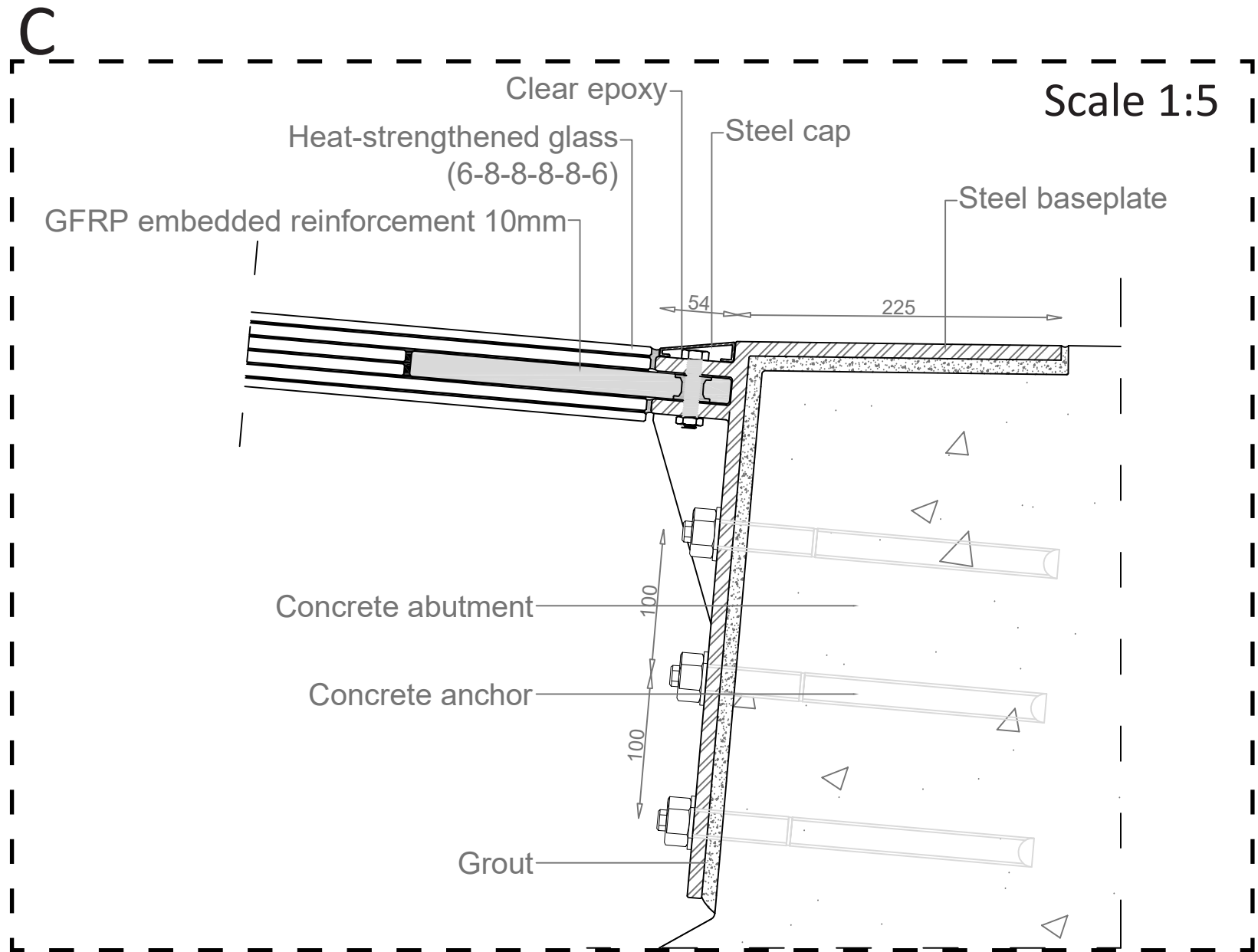
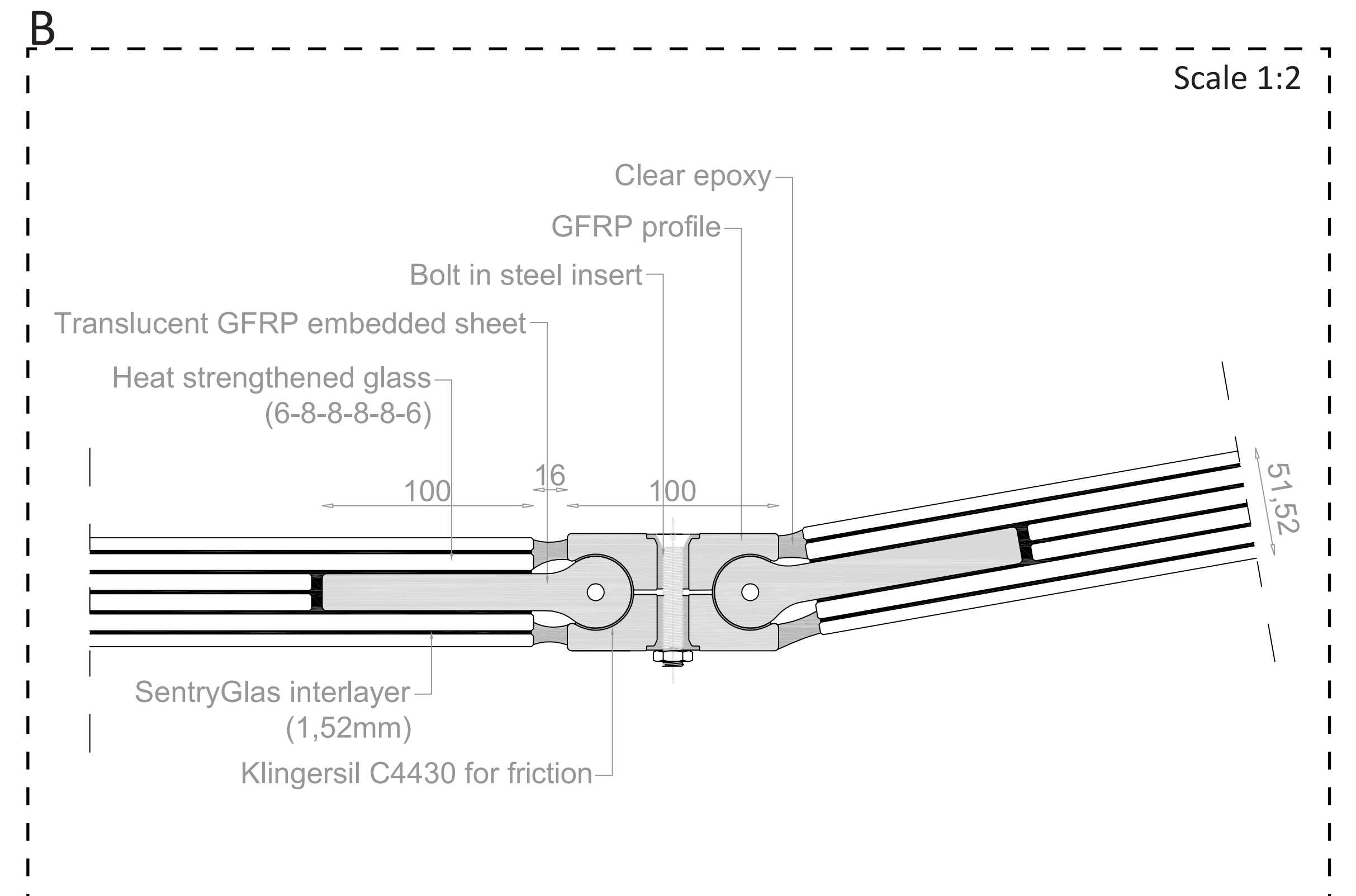
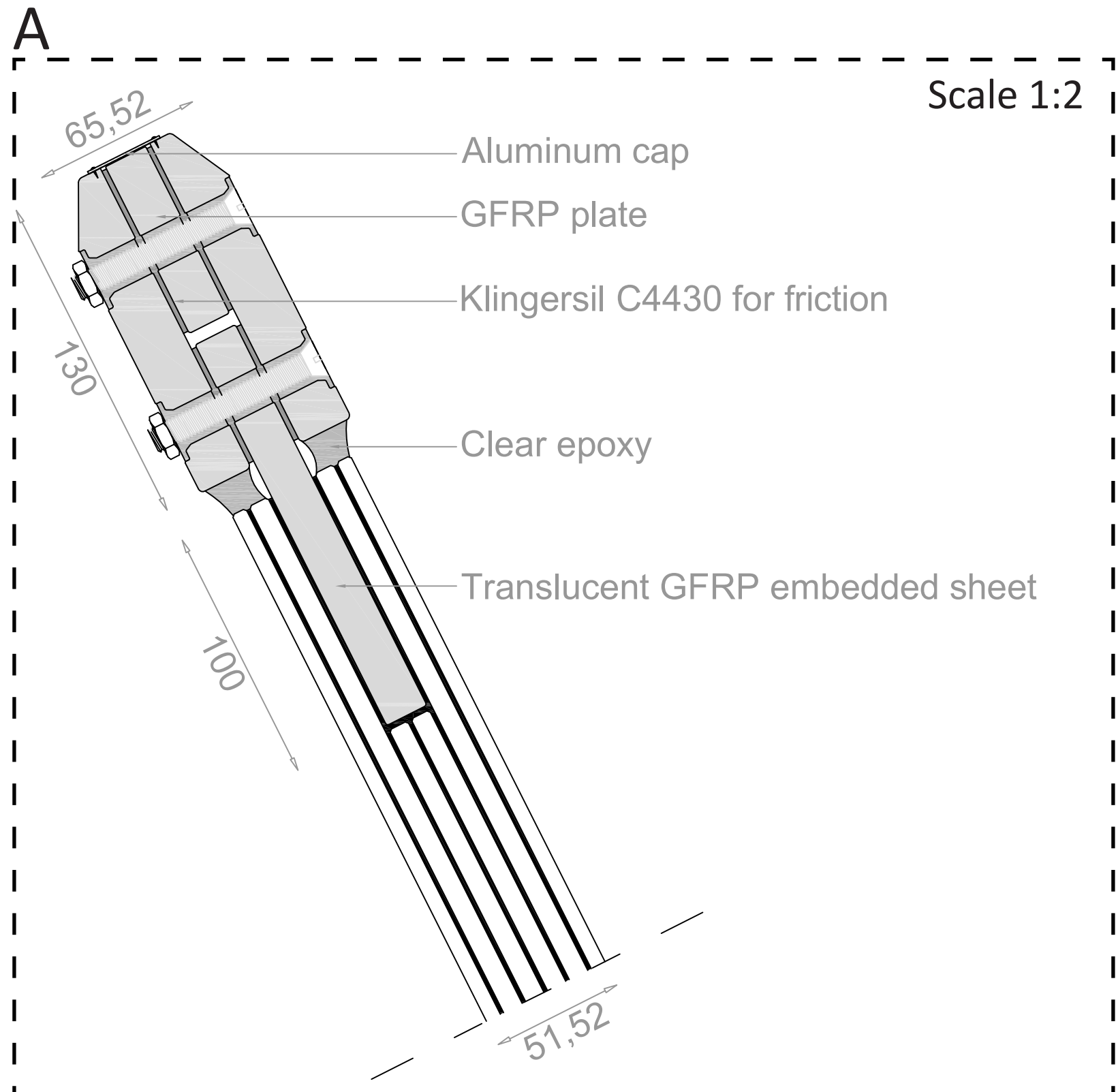
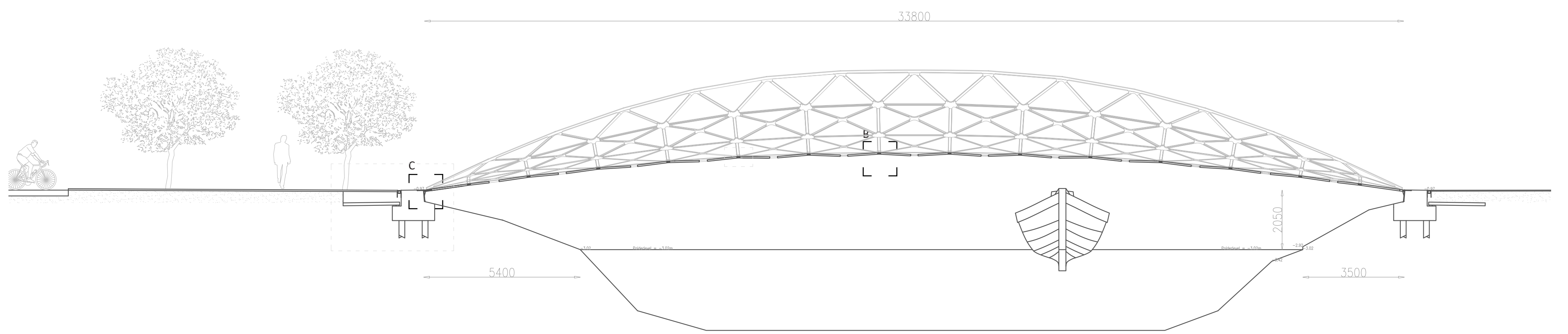


A - A'



Technical drawings  
 1:100  
 Hybrid FRP - structural glass bridge