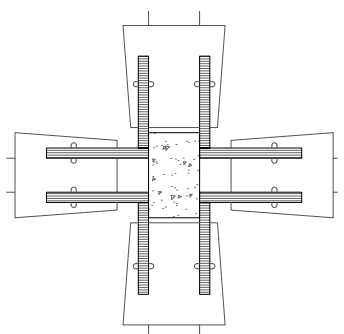
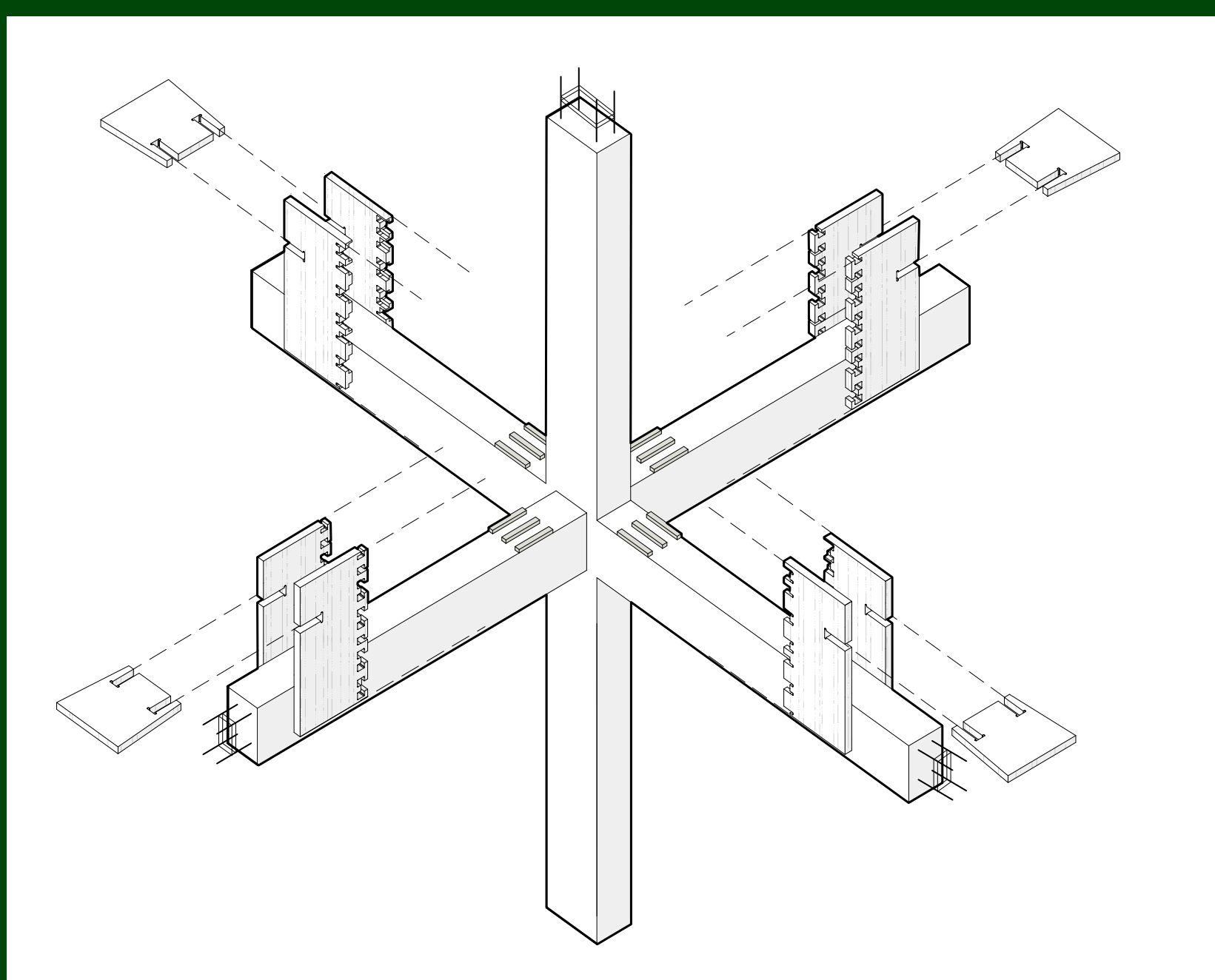


Self-Craft Community - Bandung

Symbiotic of local craft techniques and construction knowledge for Kampung regeneration by retrofitting an existing structure in the city centre of Bandung.

By using the existing vernacular and craftsmanship knowledge and available resources, the self-build tradition already strongly present in Bandung can be enhanced while reducing building waste and its environmental impact. By using local craft knowledge in a low-tech approach combined with the introduction of new technologies (such as CNC milling) it allows for local skilled and unskilled workers to create safe and durable buildings which reflect the regional character. The self-craft community which grows into the existing Pasar Cikapundung is an creative educational environment where the craft knowledge and new construction approach can be taught and applied, incrementally improving the conditions of the urban kampung in a sustainable and expressive manner.

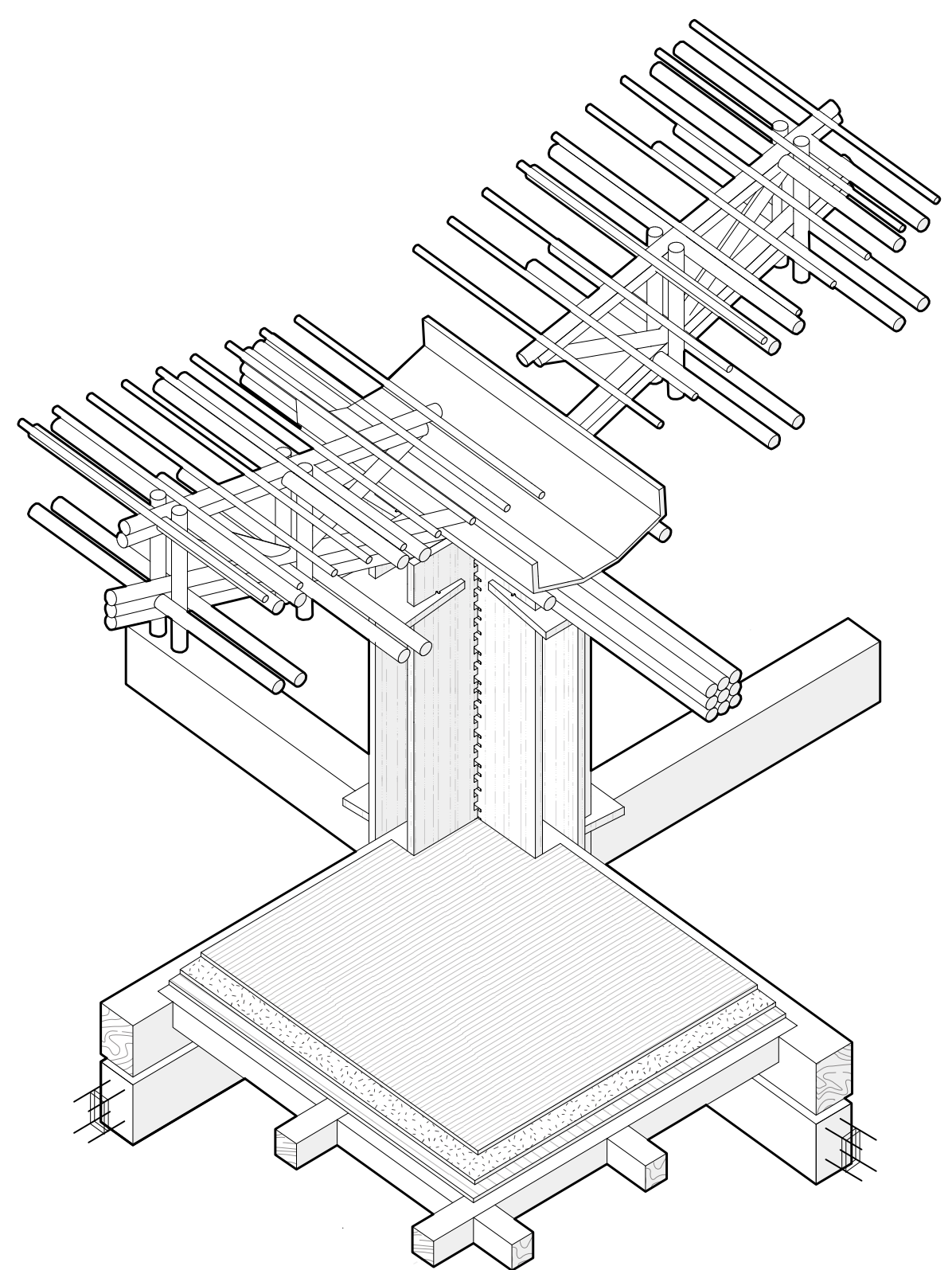
Celine Mugica
TU Delft - 4620402



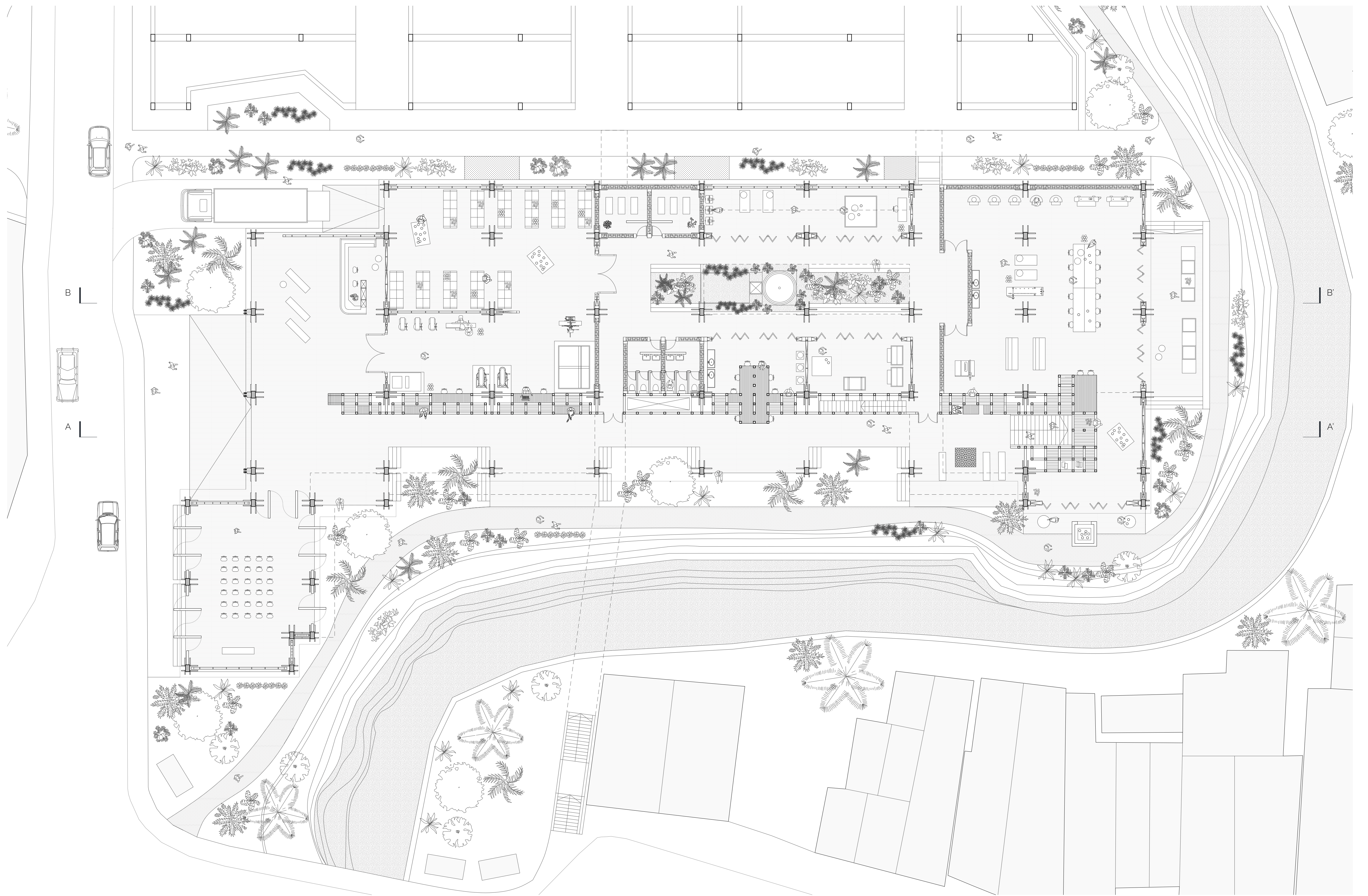
The node is a reinterpretation of the traditional vernacular timber construction.

It is designed following 'knock-down' principles where each pieces can be removed or replace in order to allow for maintenance and even personalisation. This can therefore have a great impact on the reduction of money been put into the construction and overall lifespan of the building. All elements of the node are prefabricated using a CNC milling machine, technology which can be easily implemented in the kampung. Therefore all joints are timber based and no other materials are used in the connection.

Pieces of rubber tire can be added in between the node and the existing concrete frame in order to reduce friction and allow for vibration to occur.

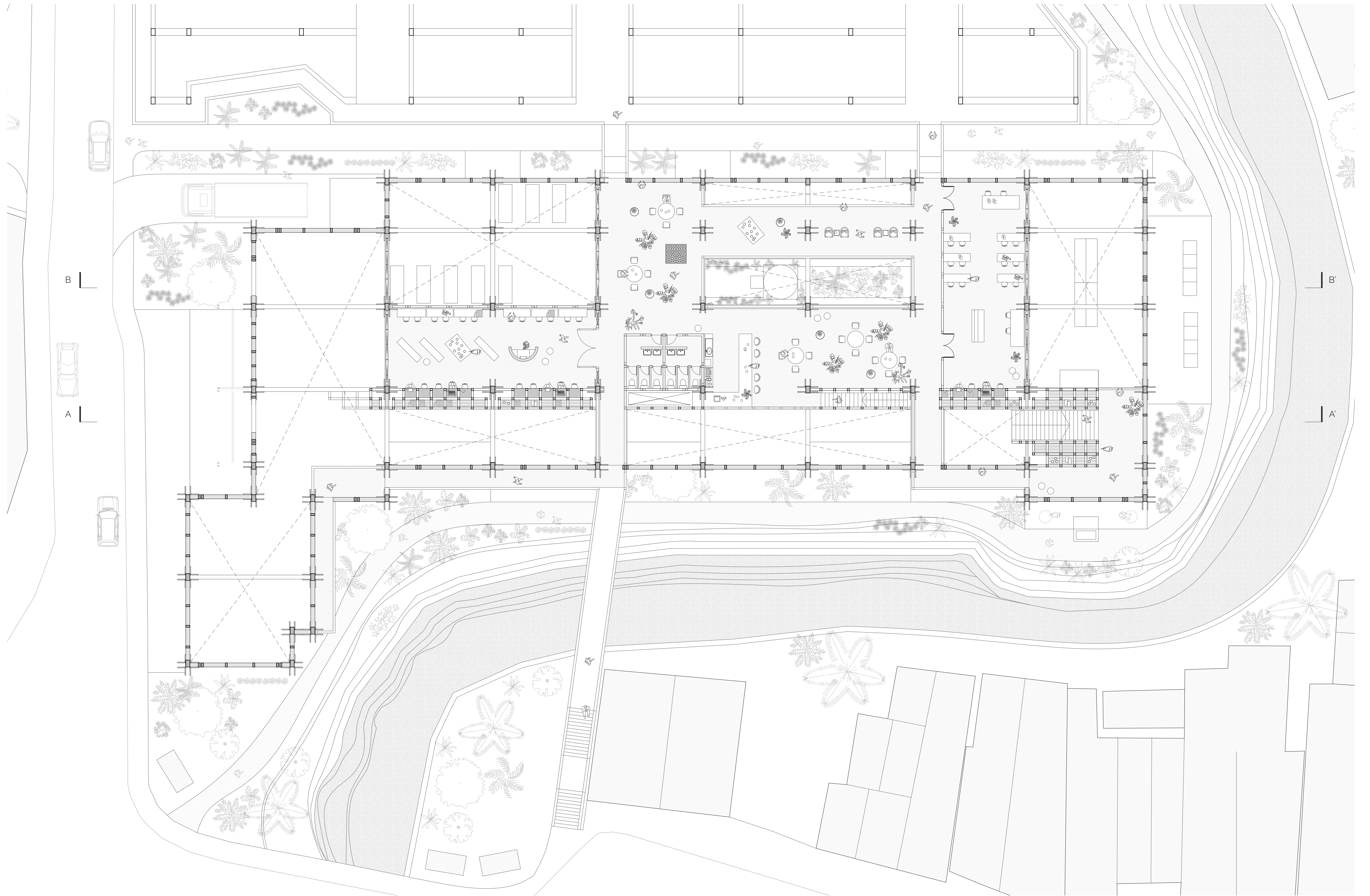


Node - Roof Variation

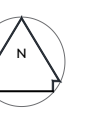


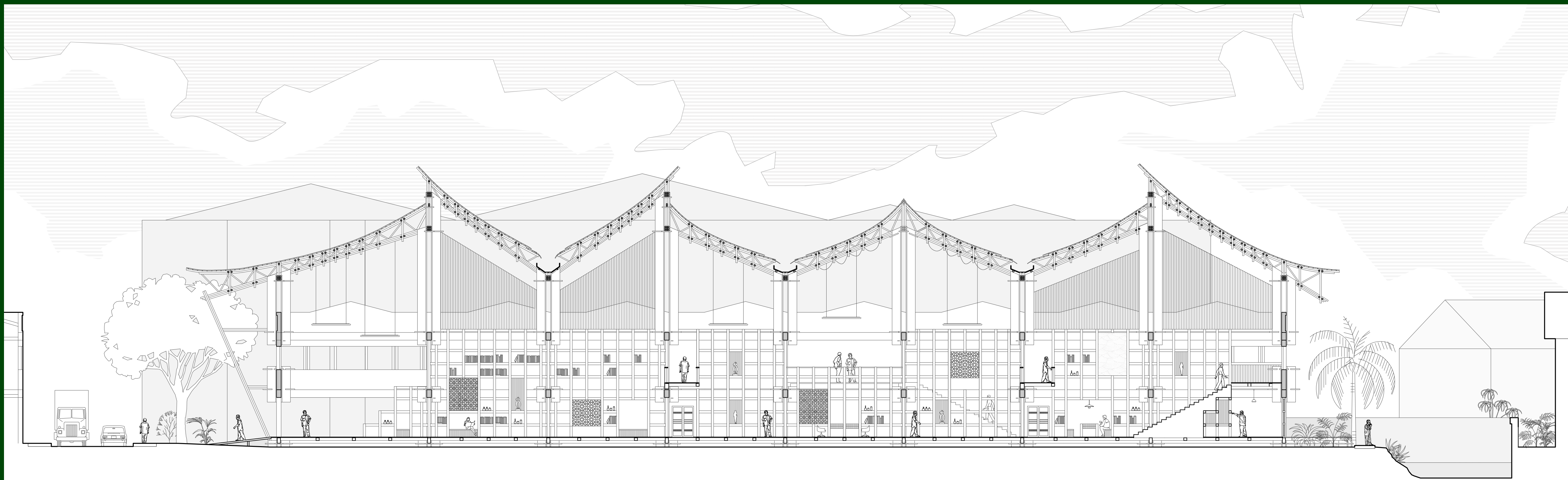
Pasar Cikapundung - Ground Floor Plan
scale 1:150



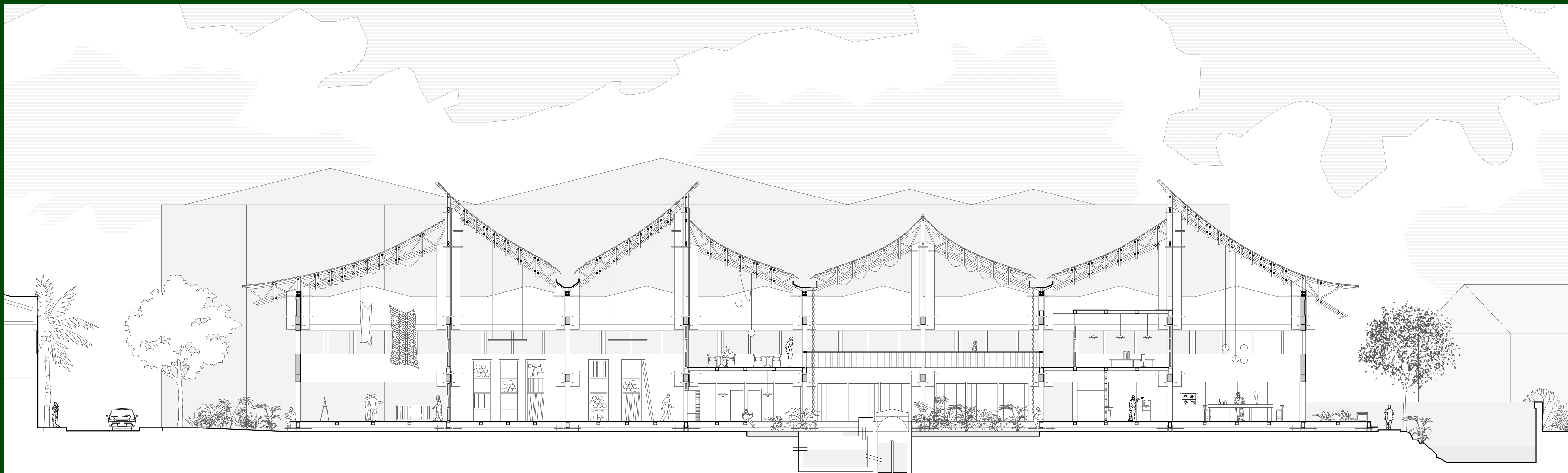


Pasar Cikapundung - First Floor Plan
scale 1:150

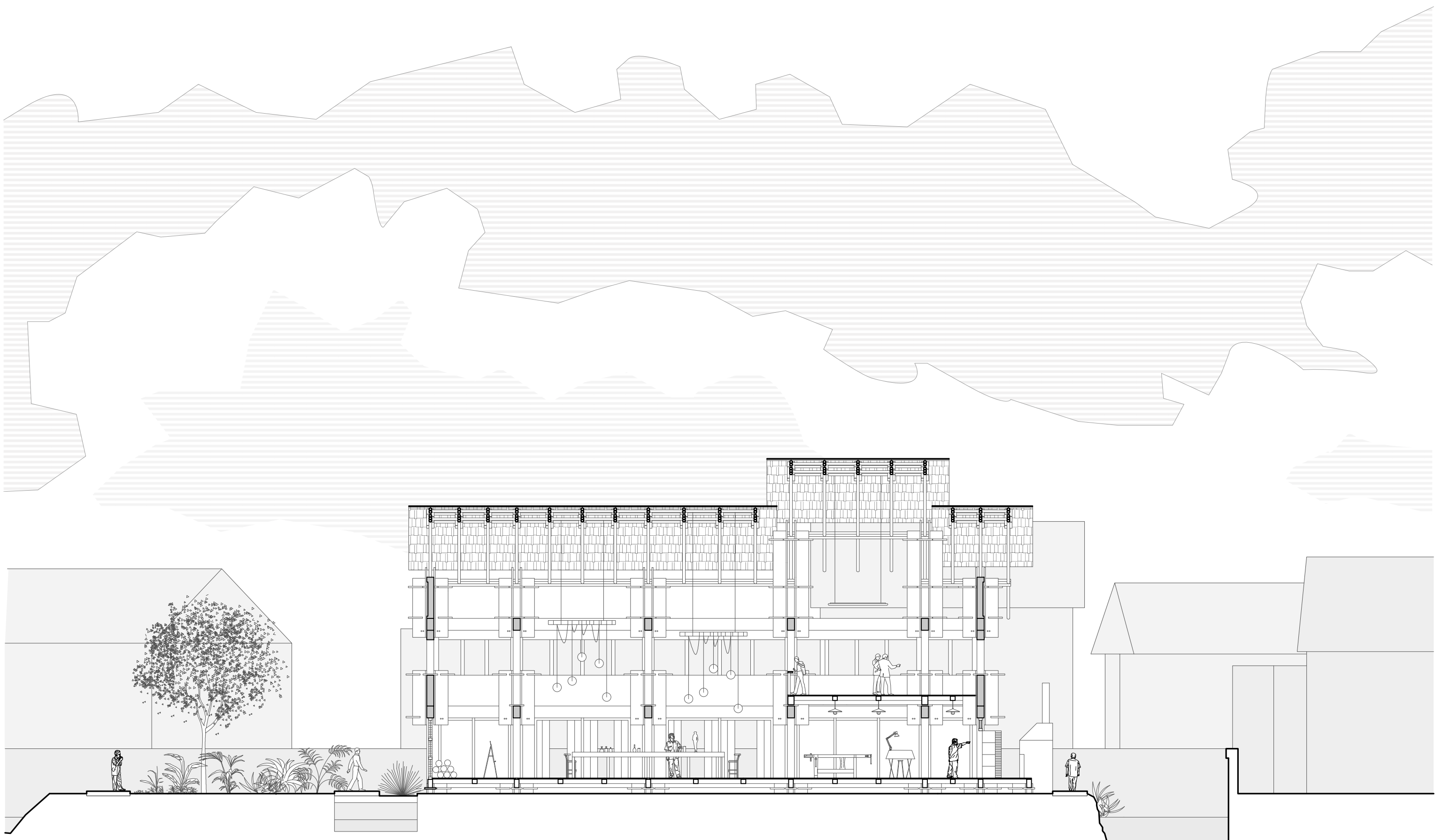




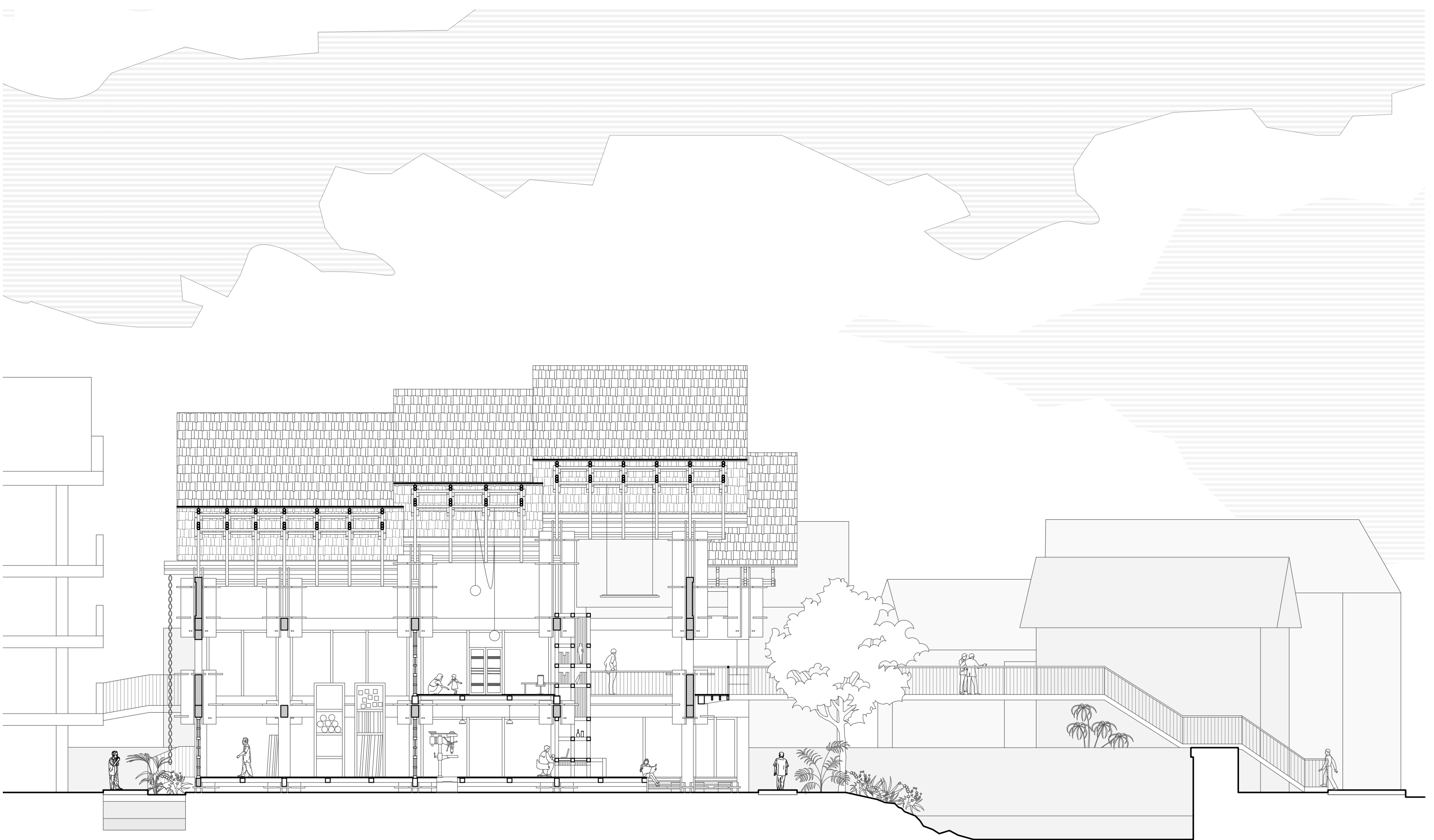
Pasar Cikapundung - Long Section A
scale 1:150



Pasar Cikapundung - Long Section B
scale 1:150



Pasar Cikapundung - Short Section CC'
scale 1:150



Pasar Cikapundung - Short Section DD'
scale 1:150