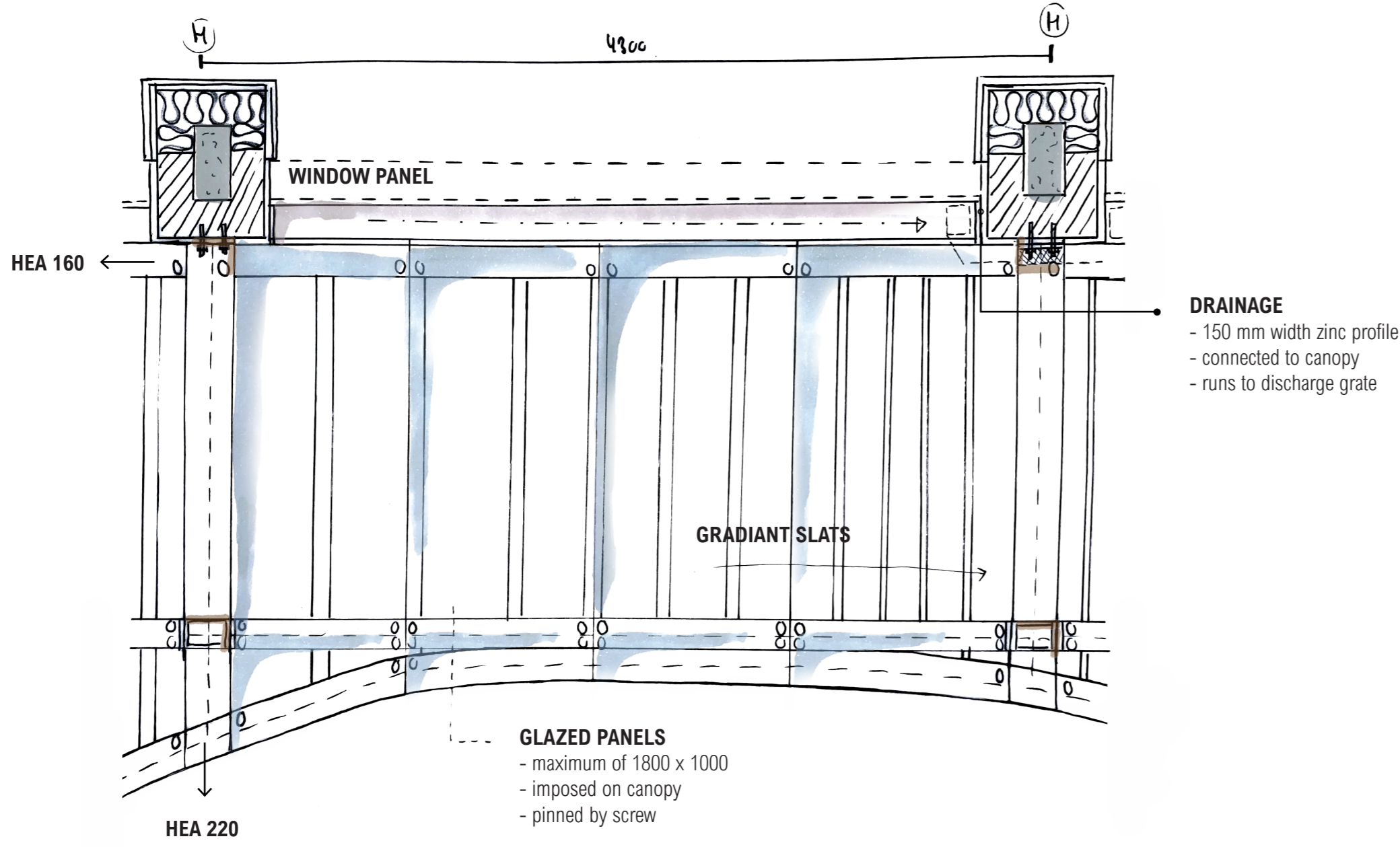
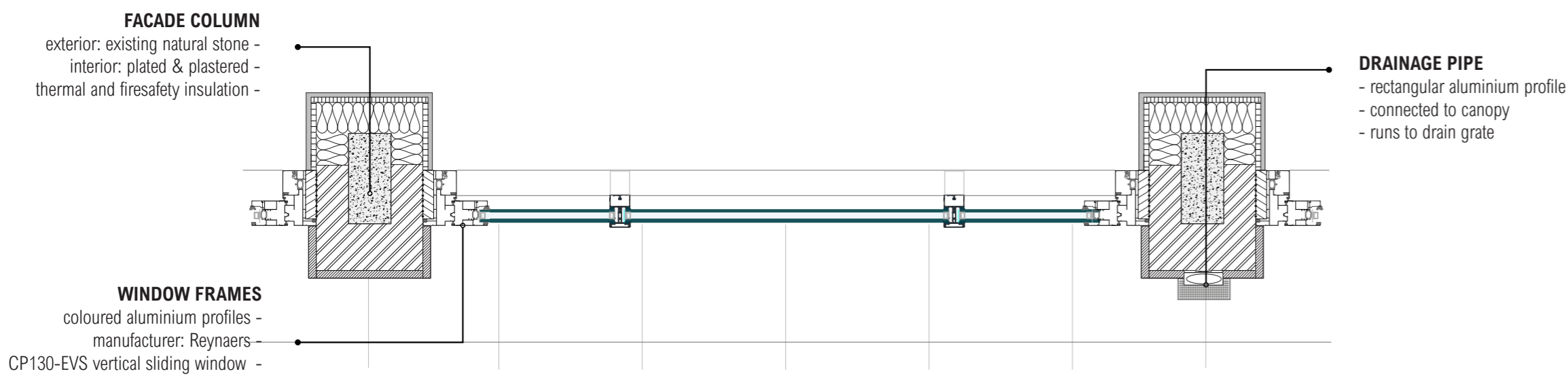


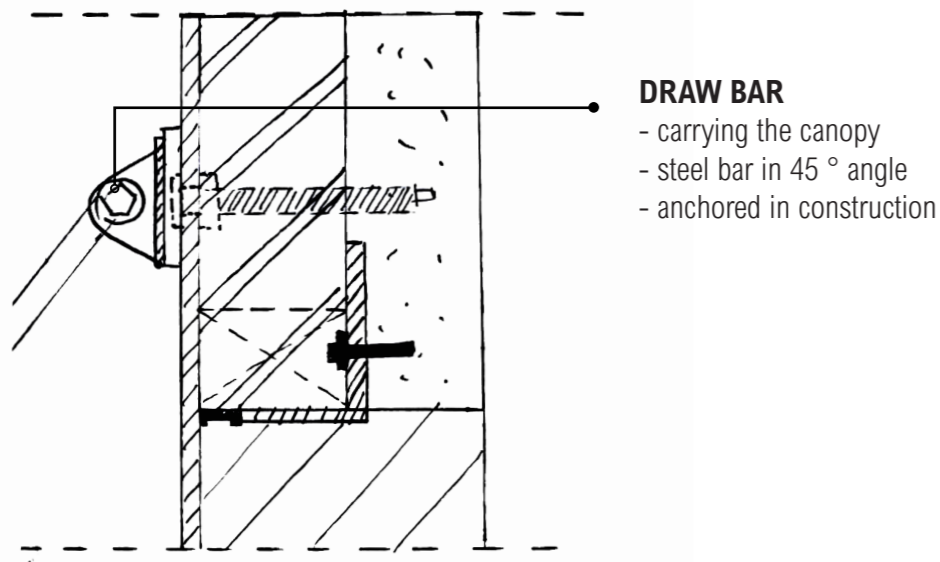
[A] Horizontal detail 1:20



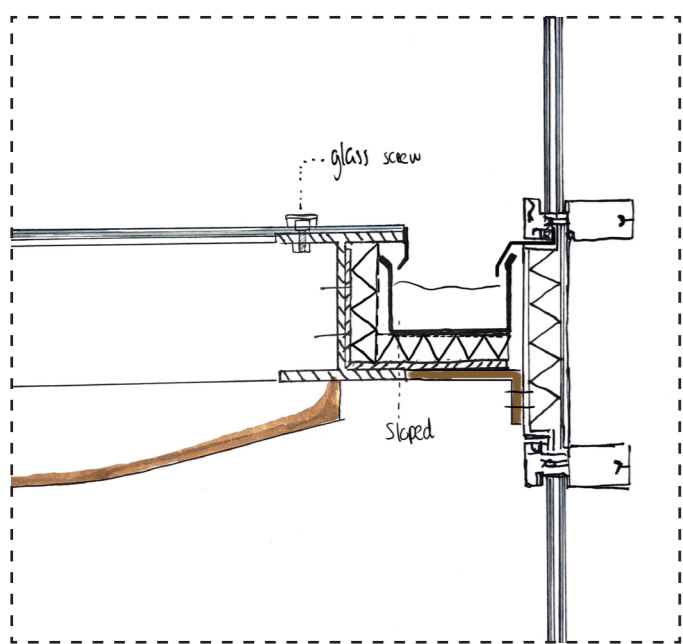
[B] Horizontal detail 1:20



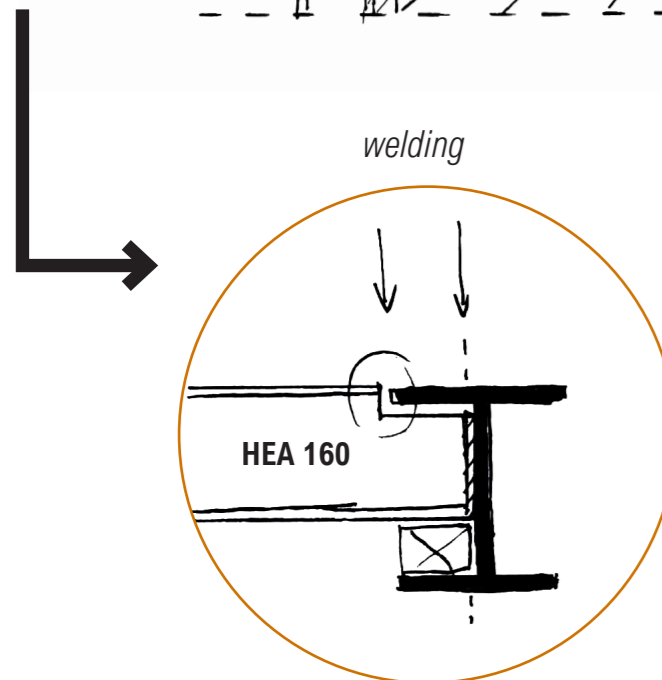
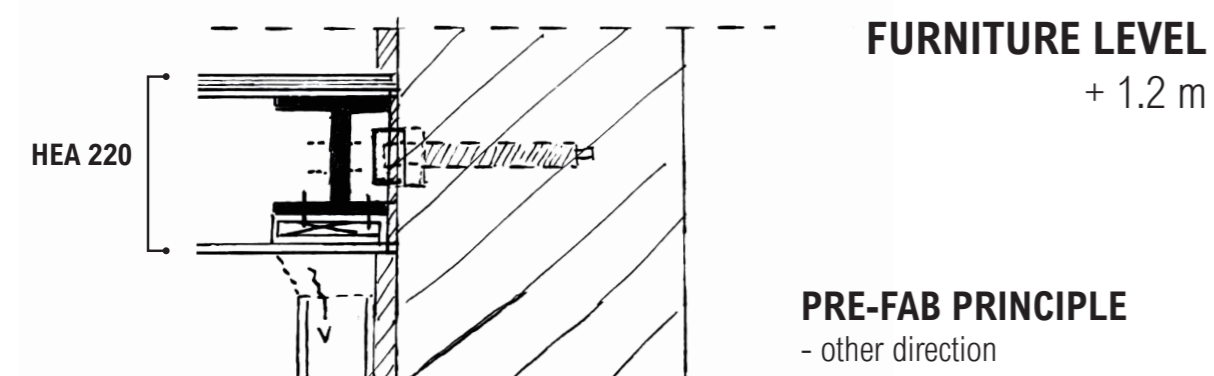
[C] Vertical detail 1:5



[D] Vertical detail 1:5



[E] Vertical detail 1:5



FLOORING
Fermalcell floating screed
- maintenance friendly -

CEILING LEVEL
+ 4.1 m

CANOPY LEVEL
+ 3.4 m

SLIDING LEVEL
+ 2.4 m

Detail C

Detail D & E

Detail A

Detail B

