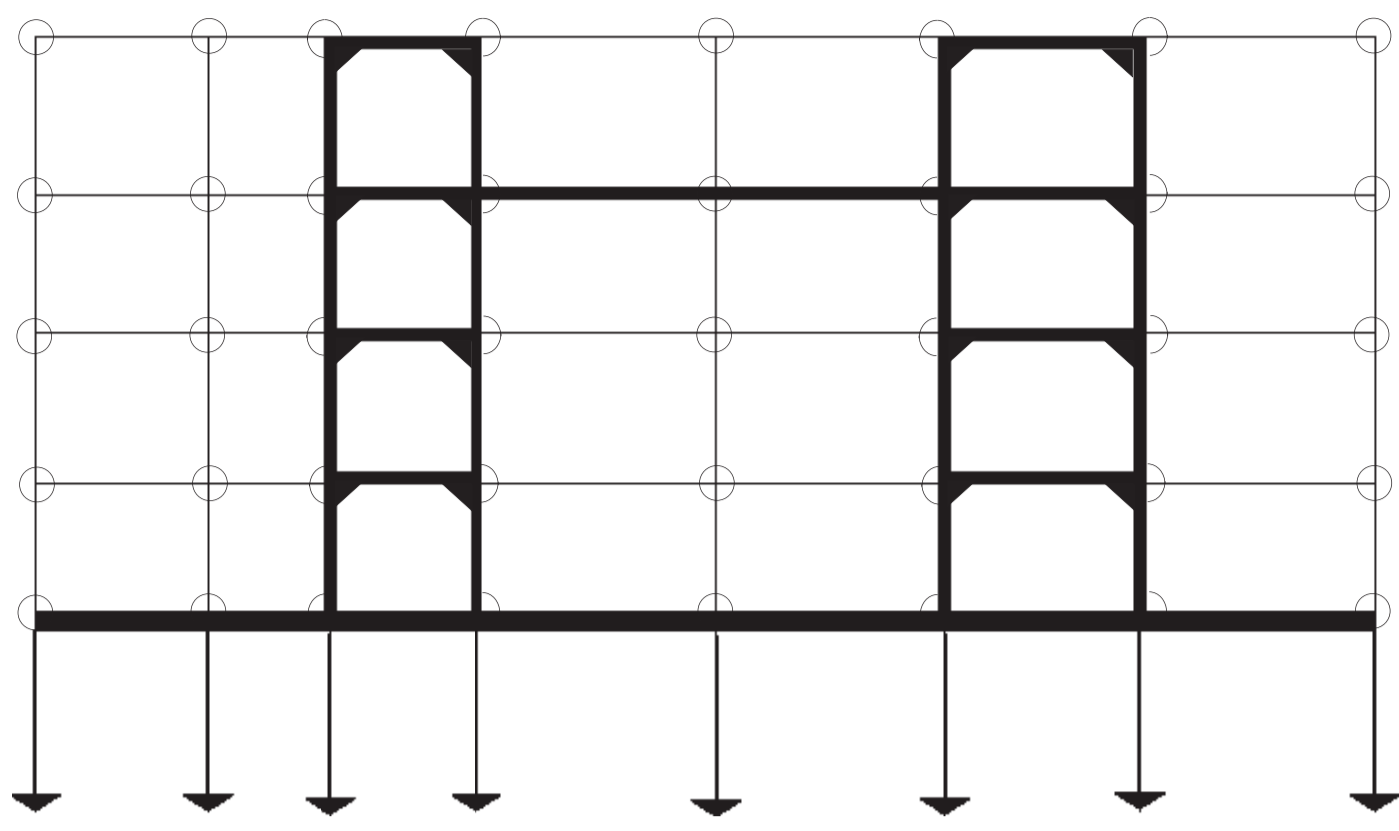


## Structural Design

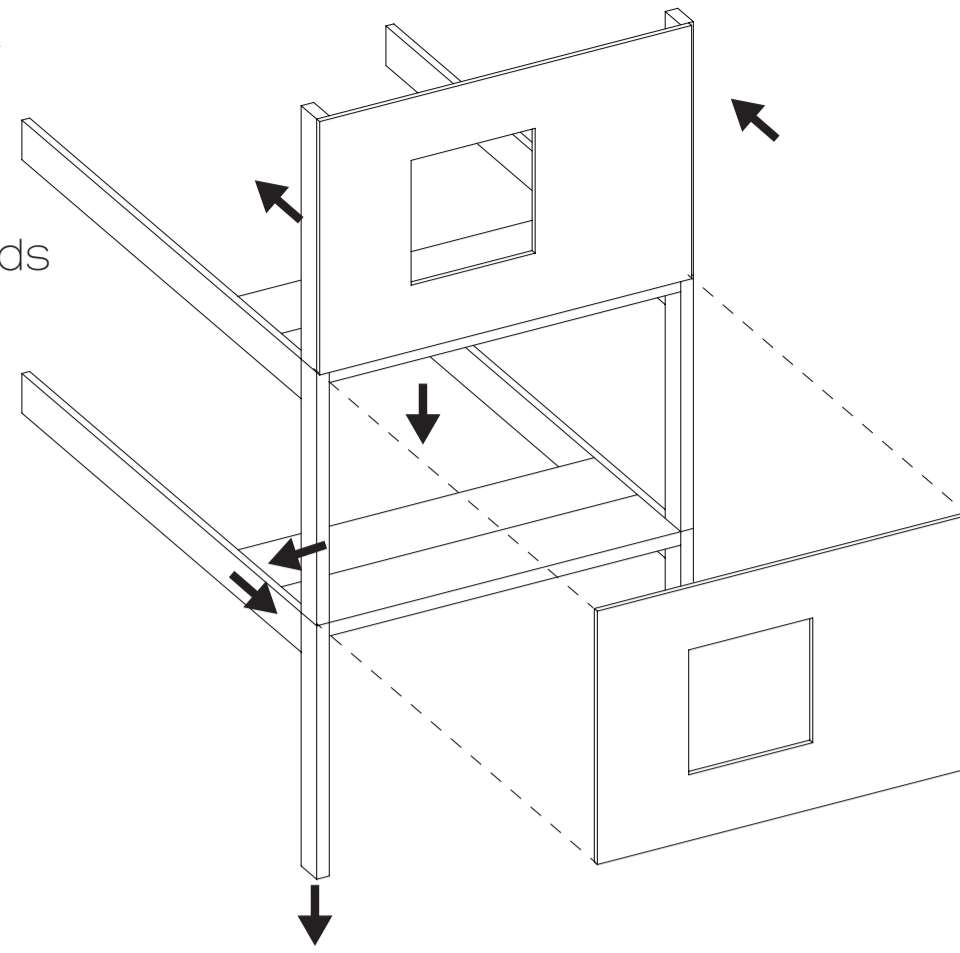
Loads Diagram



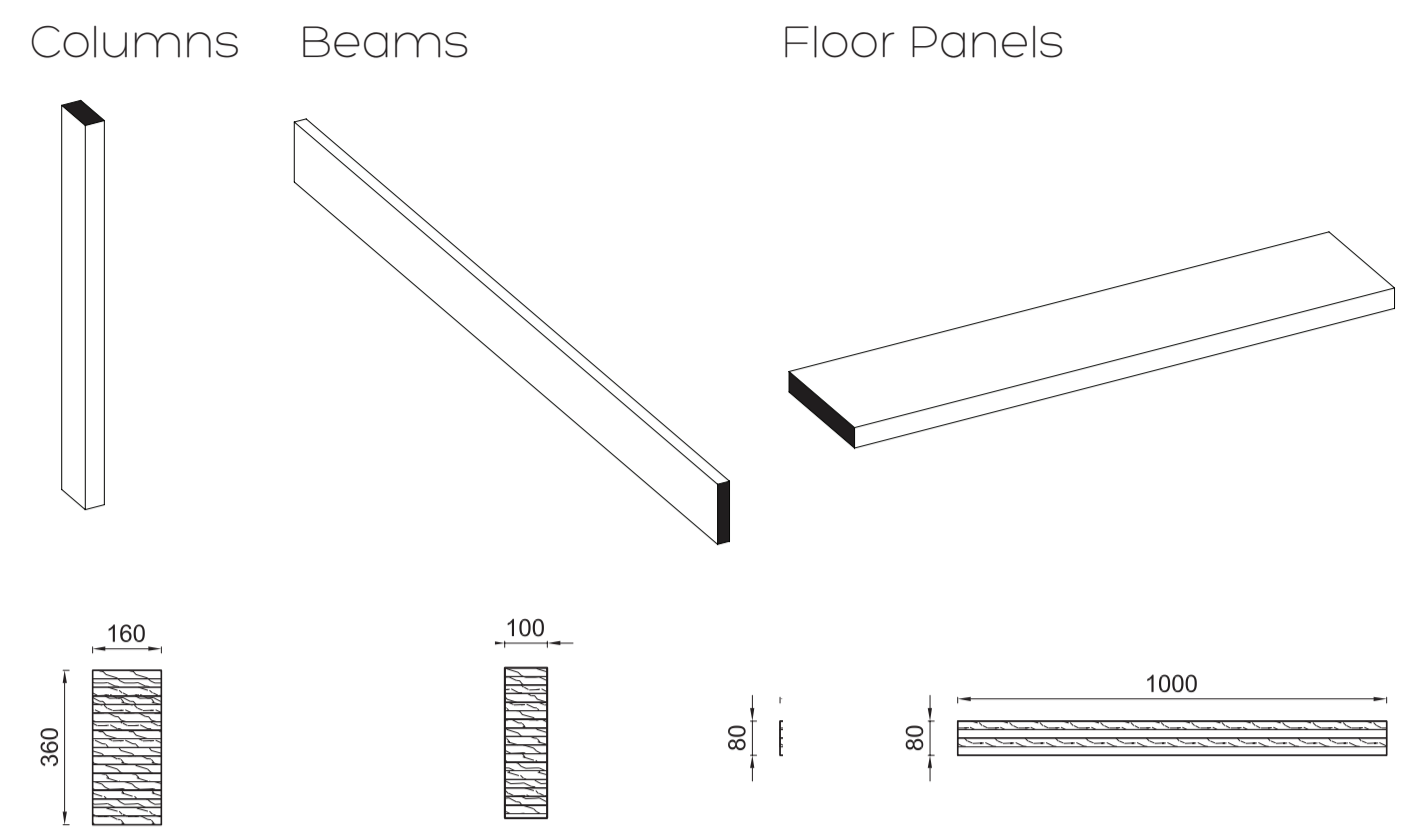
Zoomed View

Transferring the loads

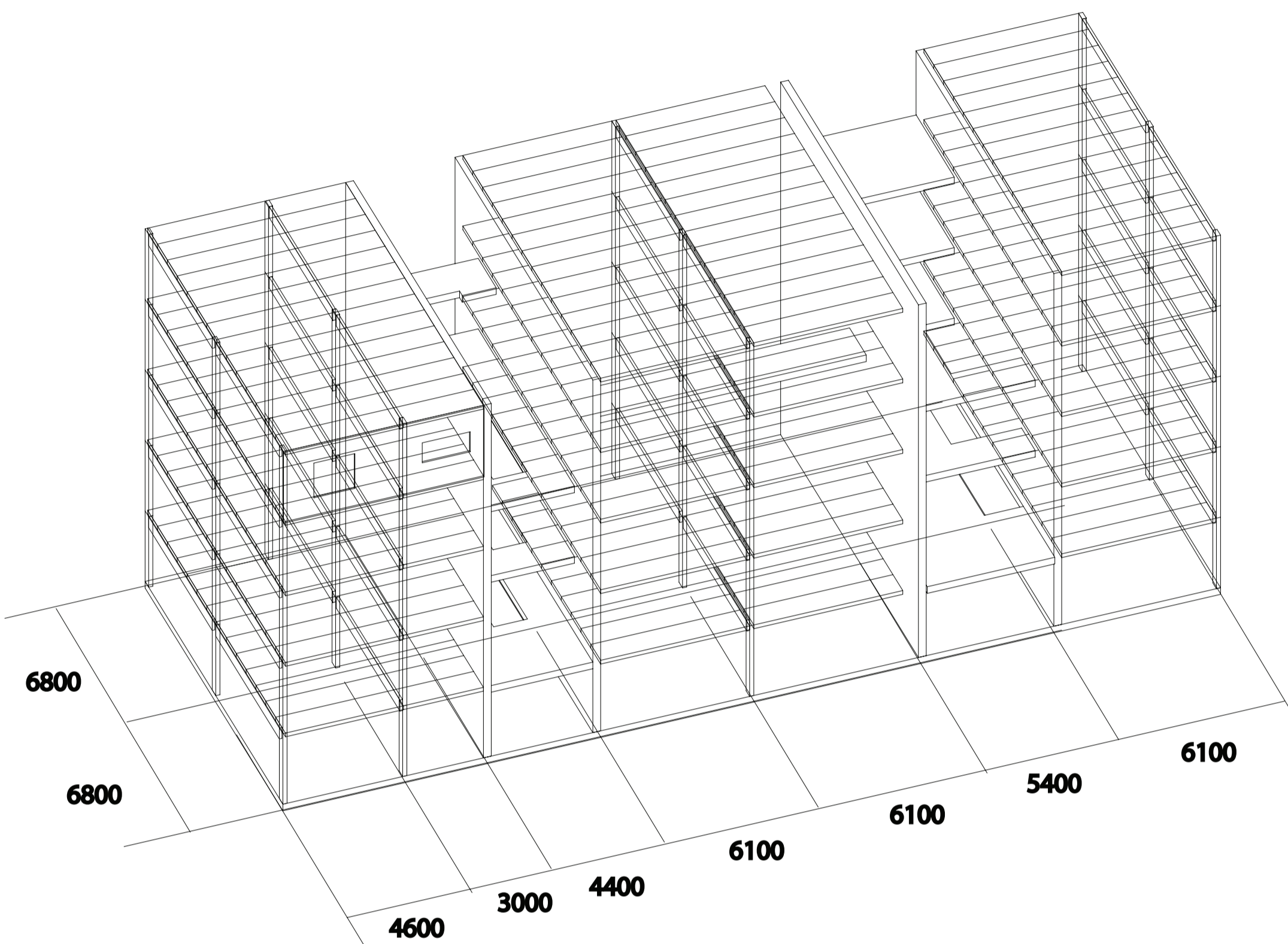
- \* Vertical
- \* Horizontal



Dimensions



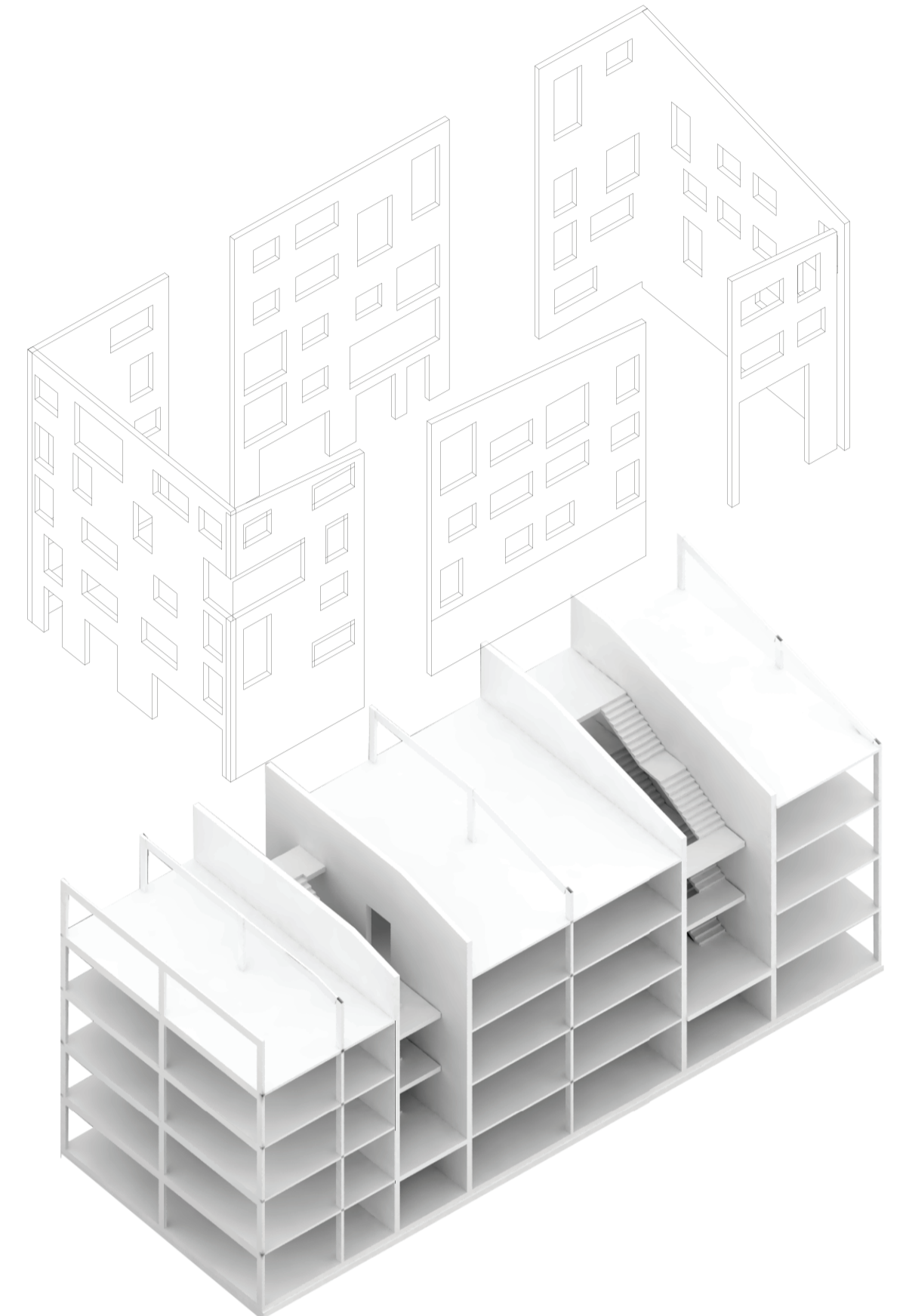
Axonomic View Structural Elements



Materialisation Structure

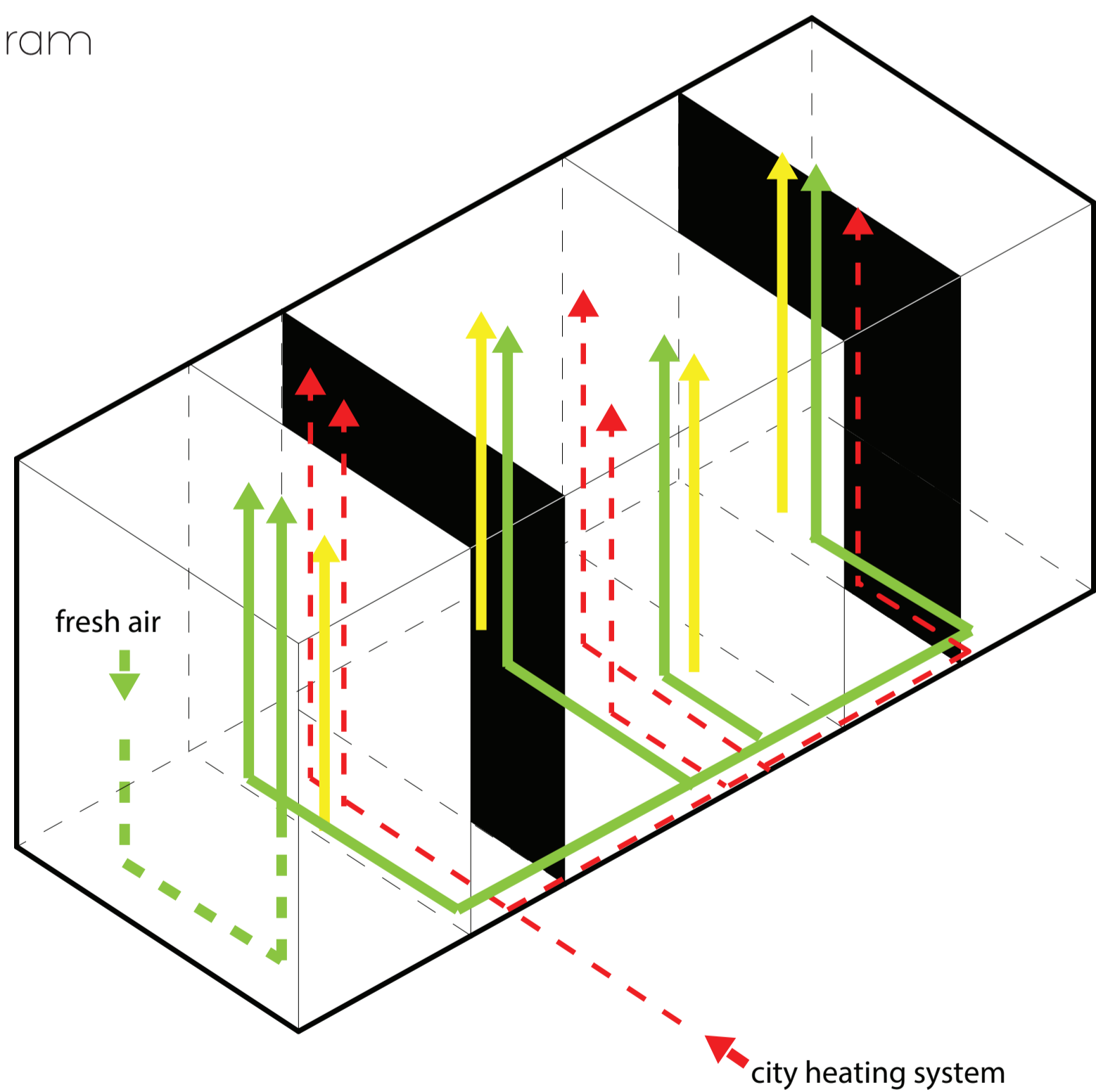


Overview Structure

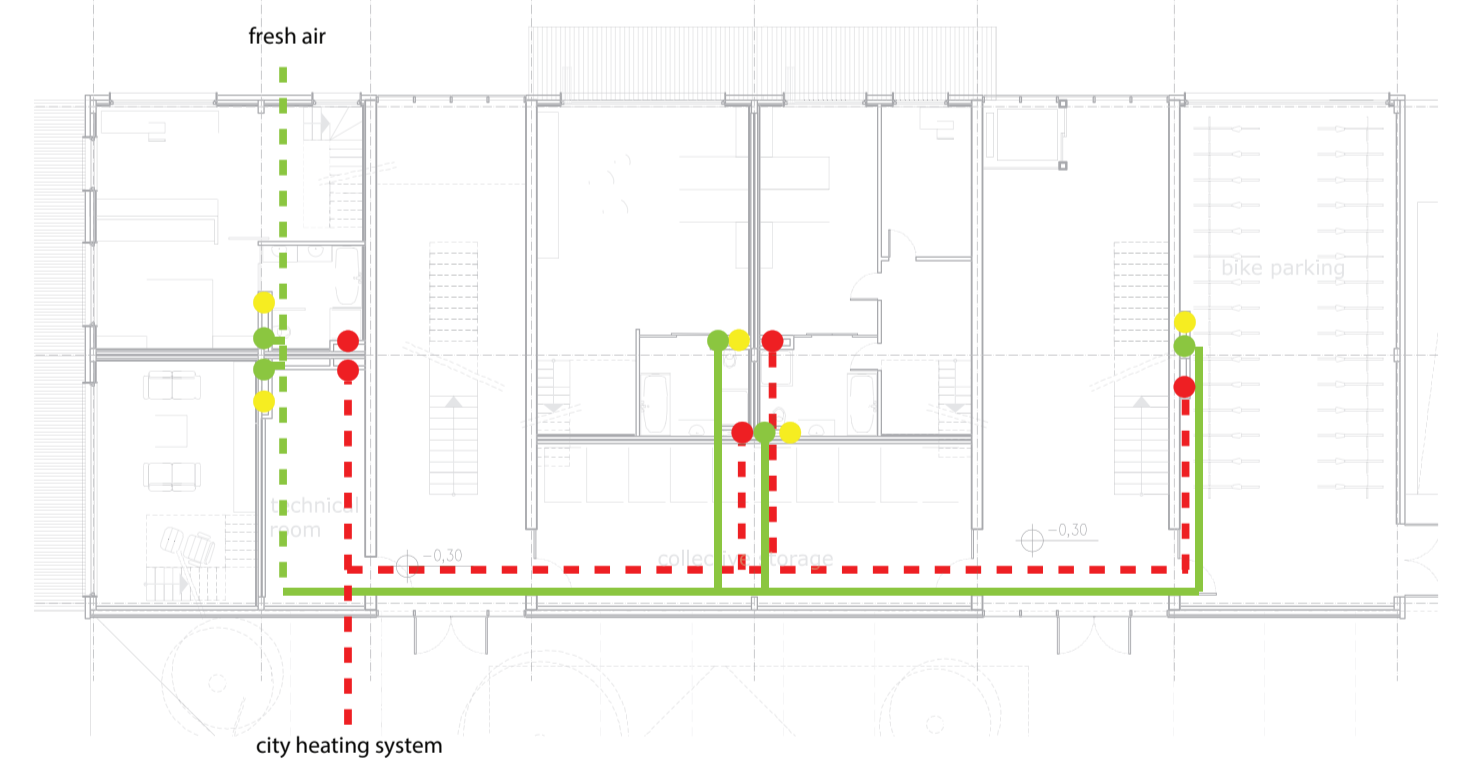


## Climate Design | Heating- Cooling System

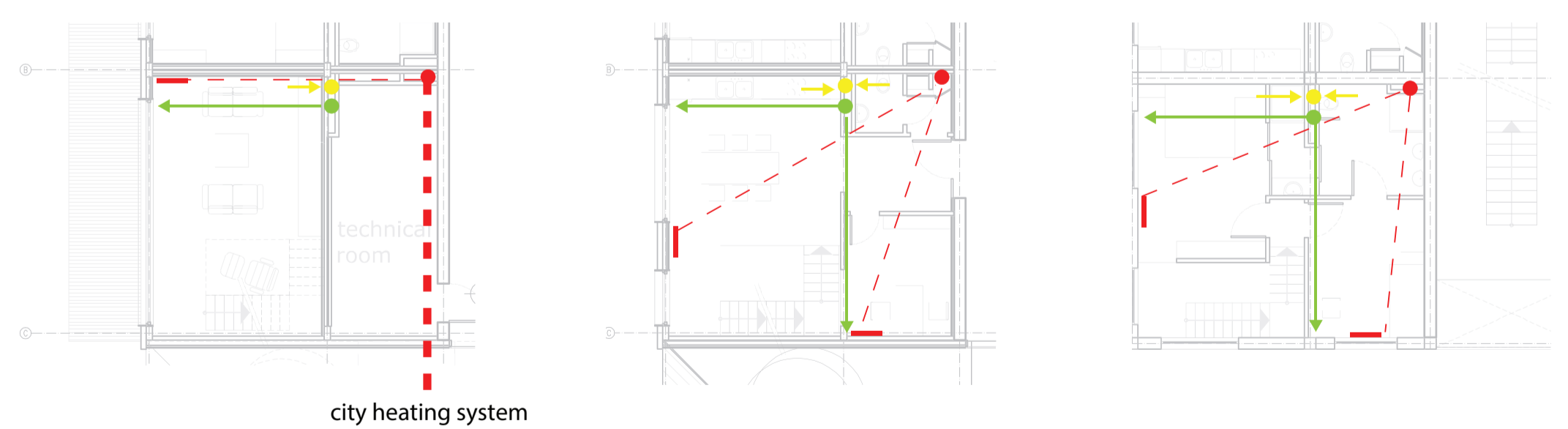
Building Diagram



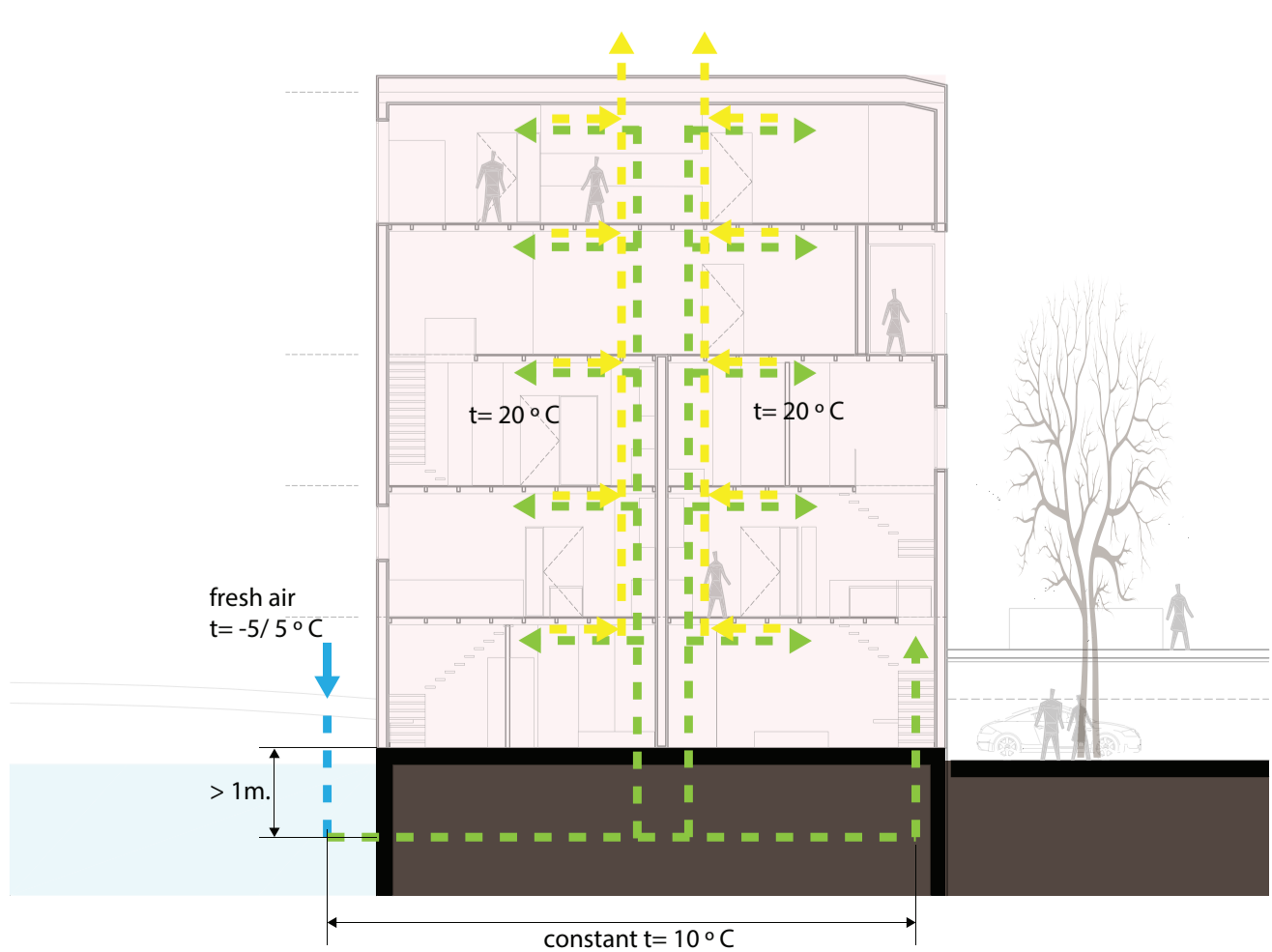
Ground Floor Route



Dwelling System



Winter Conditions



Summer Conditions

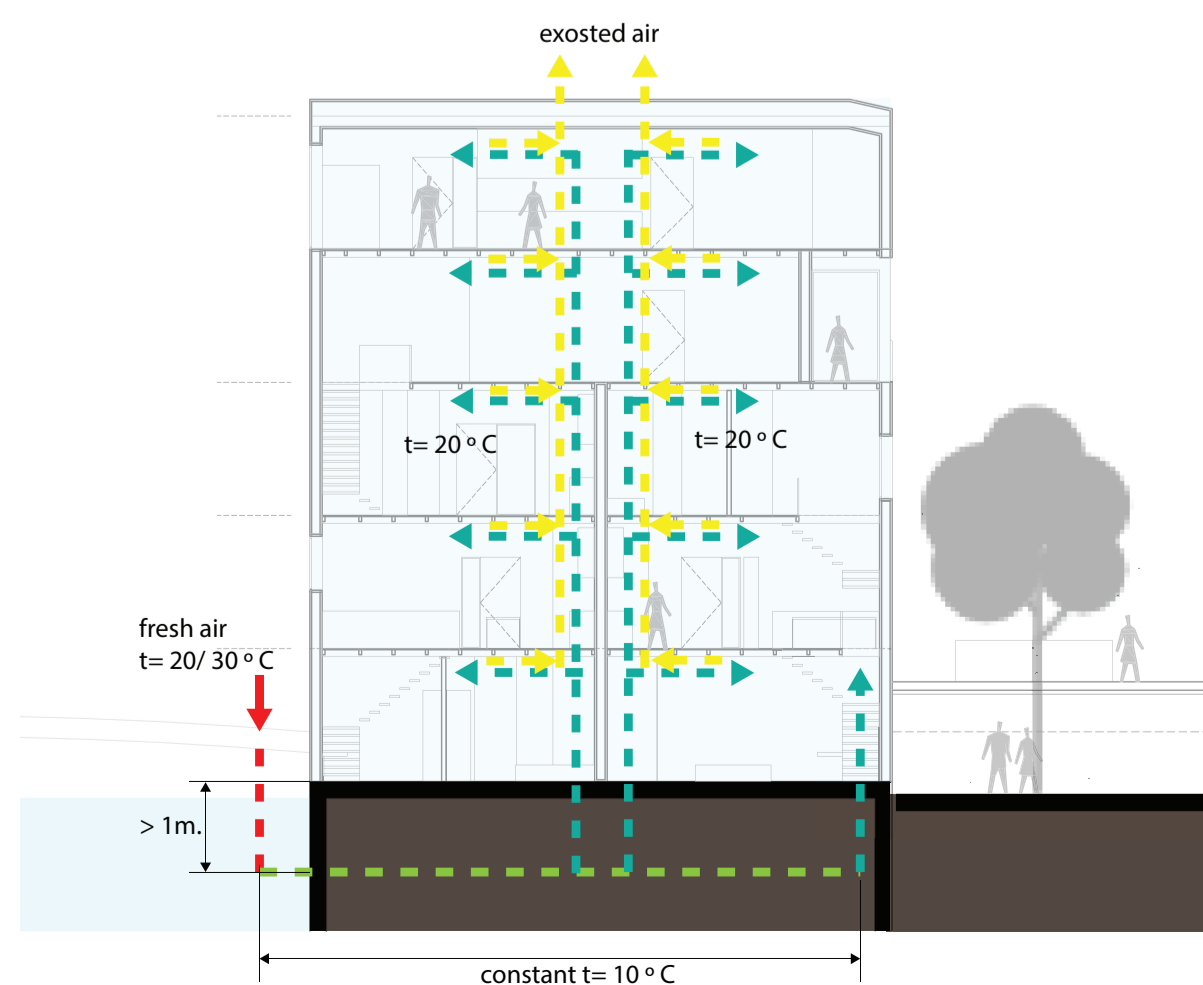


Diagram Atrium

