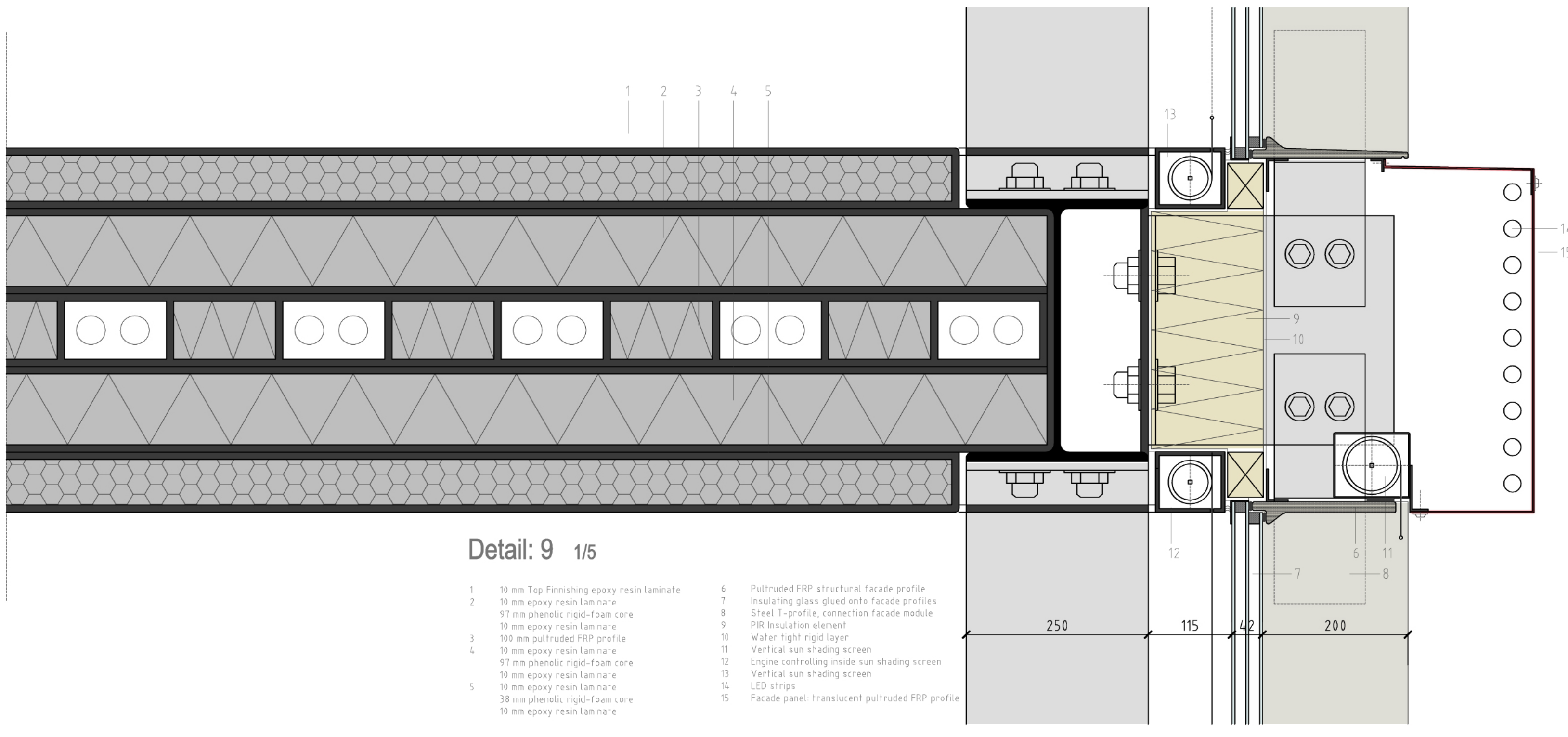
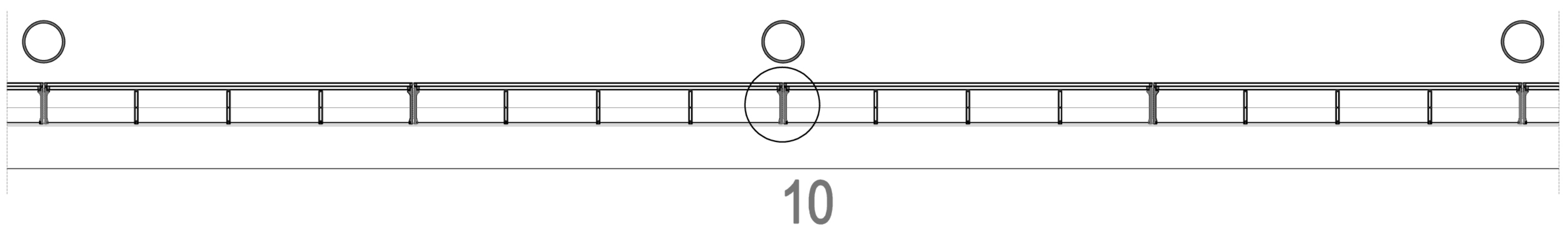
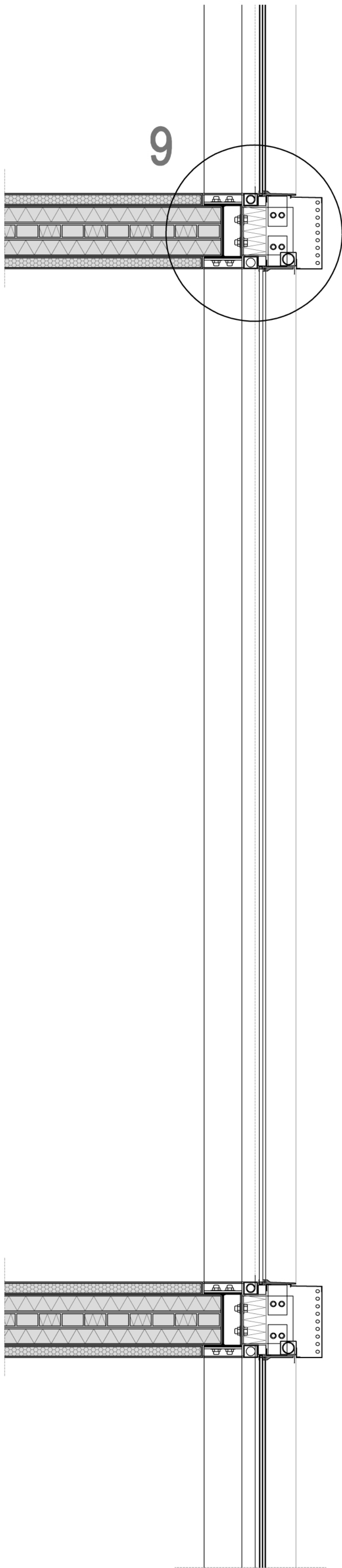


Facade 1/20



- Detail: 9 1/5**
- |  |  |
|--|--|
| 1 10 mm Top Finishing epoxy resin laminate | 6 Pultruded FRP structural facade profile          |
| 2 10 mm epoxy resin laminate               | 7 Insulating glass glued onto facade profiles      |
| 3 97 mm phenolic rigid-foam core           | 8 Steel T-profile: connection facade module        |
| 4 10 mm epoxy resin laminate               | 9 PIR insulation element                           |
| 5 100 mm pultruded FRP profile             | 10 Wafer light rigid layer                         |
| 6 10 mm epoxy resin laminate               | 11 Vertical sun shading screen                     |
| 7 97 mm phenolic rigid-foam core           | 12 Engine controlling inside sun shading screen    |
| 8 10 mm epoxy resin laminate               | 13 Vertical sun shading screen                     |
| 9 10 mm epoxy resin laminate               | 14 LED strips                                      |
| 10 38 mm phenolic rigid-foam core          | 15 Facade panel: translucent pultruded FRP profile |
| 11 10 mm epoxy resin laminate              |  |

