

A Scalable Cryo-CMOS Controller for the Wideband Frequency-Multiplexed Control of Spin Qubits and Transmons

Van Dijk, Jeroen Petrus Gerardus; Patra, Bishnu; Xue, Xiao; Samkharadze, Nodar; Corna, Andrea; Sammak, Amir; Scappucci, Giordano; Veldhorst, Menno; Vandersypen, Lieven M.K.; Charbon, Edoardo

DOI

[10.1109/JSSC.2020.3024678](https://doi.org/10.1109/JSSC.2020.3024678)

Publication date

2020

Document Version

Final published version

Published in

IEEE Journal of Solid-State Circuits

Citation (APA)

Van Dijk, J. P. G., Patra, B., Xue, X., Samkharadze, N., Corna, A., Sammak, A., Scappucci, G., Veldhorst, M., Vandersypen, L. M. K., Charbon, E., Babaie, M., & Sebastiano, F. (2020). A Scalable Cryo-CMOS Controller for the Wideband Frequency-Multiplexed Control of Spin Qubits and Transmons. *IEEE Journal of Solid-State Circuits*, 55(11), 2930-2946. Article 9209175. <https://doi.org/10.1109/JSSC.2020.3024678>

Important note

To cite this publication, please use the final published version (if applicable).
Please check the document version above.

Copyright

Other than for strictly personal use, it is not permitted to download, forward or distribute the text or part of it, without the consent of the author(s) and/or copyright holder(s), unless the work is under an open content license such as Creative Commons.

Takedown policy

Please contact us and provide details if you believe this document breaches copyrights.
We will remove access to the work immediately and investigate your claim.

A Scalable Cryo-CMOS Controller for the Wideband Frequency-Multiplexed Control of Spin Qubits and Transmons

Jeroen Petrus Gerardus Van Dijk¹, Student Member, IEEE, Bishnu Patra², Student Member, IEEE,

Sushil Subramanian³, Member, IEEE, Xiao Xue, Nodar Samkharadze, Andrea Corna⁴,

Charles Jeon⁵, Member, IEEE, Farhana Sheikh, Senior Member, IEEE, Esdras Juarez-Hernandez, Member, IEEE,

Brando Perez Esparza, Member, IEEE, Huzaifa Rampurawala, Member, IEEE,

Brent R. Carlton⁶, Member, IEEE, Surej Ravikumar, Member, IEEE, Carlos Nieva, Member, IEEE,

Sungwon Kim, Member, IEEE, Hyung-Jin Lee, Member, IEEE, Amir Sammak, Giordano Scappucci,

Menno Veldhorst, Lieven M. K. Vandersypen, Edoardo Charbon⁷, Fellow, IEEE,

Stefano Pellerano, Member, IEEE, Masoud Babaie⁸, Member, IEEE,

and Fabio Sebastiano⁹, Senior Member, IEEE

Abstract—Building a large-scale quantum computer requires the co-optimization of both the quantum bits (qubits) and their control electronics. By operating the CMOS control circuits at cryogenic temperatures (cryo-CMOS), and hence in close proximity to the cryogenic solid-state qubits, a compact quantum-computing system can be achieved, thus promising scalability to the large number of qubits required in a practical application. This work presents a cryo-CMOS microwave signal generator for frequency-multiplexed control of 4×32 qubits

(32 qubits per RF output). A digitally intensive architecture offering full programmability of phase, amplitude, and frequency of the output microwave pulses and a wideband RF front end operating from 2 to 20 GHz allow targeting both spin qubits and transmons. The controller comprises a qubit-phase-tracking direct digital synthesis (DDS) back end for coherent qubit control and a single-sideband (SSB) RF front end optimized for minimum leakage between the qubit channels. Fabricated in Intel 22-nm FinFET technology, it achieves a 48-dB SNR and 45-dB spurious-free dynamic range (SFDR) in a 1-GHz data bandwidth when operating at 3 K, thus enabling high-fidelity qubit control. By exploiting the on-chip 4096-instruction memory, the capability to translate quantum algorithms to microwave signals has been demonstrated by coherently controlling a spin qubit at both 14 and 18 GHz.

Index Terms—Cryo-CMOS, cryogenic, direct digital synthesis (DDS), fidelity, FinFET, frequency-division multiplexing, quantum computing, qubit control, specifications, spin qubits, wideband.

Manuscript received May 17, 2020; revised July 29, 2020 and September 1, 2020; accepted September 5, 2020. Date of publication September 29, 2020; date of current version October 23, 2020. This article was approved by Guest Editor Pedram Mohseni. This work was supported by Intel Corporation. (Jeroen Petrus Gerardus Van Dijk and Bishnu Patra contributed equally to this work. Stefano Pellerano, Edoardo Charbon, Fabio Sebastiano, and Masoud Babaie contributed equally to this work.) (Corresponding author: Bishnu Patra.)

Jeroen Petrus Gerardus Van Dijk, Bishnu Patra, Masoud Babaie, and Fabio Sebastiano are with the Department of Quantum and Computer Engineering, Delft University of Technology, 2628 CJ Delft, The Netherlands, and also with the Qutech and Kavli Institute of Nanoscience Delft, Delft University of Technology, 2628 CJ Delft, The Netherlands (e-mail: b.p.patra@tudelft.nl).

Sushil Subramanian, Farhana Sheikh, Huzaifa Rampurawala, Brent R. Carlton, Surej Ravikumar, Carlos Nieva, Sungwon Kim, Hyung-Jin Lee, and Stefano Pellerano are with Intel Corporation, Hillsboro, OR 97124 USA.

Xiao Xue, Giordano Scappucci, Menno Veldhorst, and Lieven M. K. Vandersypen are with the Qutech and Kavli Institute of Nanoscience Delft, Delft University of Technology, 2628 CJ Delft, The Netherlands.

Nodar Samkharadze and Amir Sammak are with TNO, 2628 CK Delft, The Netherlands.

Andrea Corna was with the Qutech and Kavli Institute of Nanoscience Delft, Delft University of Technology, 2628 CJ Delft, The Netherlands. He is now with Zurich Instruments, 8005 Zurich, Switzerland.

Charles Jeon was with Intel Corporation, Hillsboro, OR 97124 USA. He is now with Apple Inc., San Diego, CA 92122 USA.

Esdras Juarez-Hernandez and Brando Perez Esparza are with Intel Guadalajara, 45017 Zapopan, Mexico.

Edoardo Charbon is with the Kavli Institute of Nanoscience, 2628 CJ Delft, The Netherlands, and also with EPFL, 1015 Lausanne, Switzerland.

Color versions of one or more of the figures in this article are available online at <http://ieeexplore.ieee.org>.

Digital Object Identifier 10.1109/JSSC.2020.3024678

I. INTRODUCTION

QUANTUM computers promise significant advantages over classical computers in solving several computing problems. These include near-term applications requiring hundreds of quantum bits (qubits), such as elucidating the hidden mechanisms of chemical reactions [1], and long-term applications requiring millions of qubits, such as the efficient search in huge databases with Grover's algorithm [2]. While today's quantum computers comprise only a few tens of qubits (<100) [3]–[6], implementing the required large-scale quantum computers (10^3 – 10^6 qubits) advocates a scalable approach both for the qubits, e.g., the use of high-fidelity solid-state qubit technologies [7], such as spin qubits and transmons, and for the classical electronics required to drive and read out the qubits.

The most complex state-of-the-art quantum computer (with 53 qubits) requires tens of bulky custom-made electronic modules [digital-to-analog converter (DAC), LNA,

ADC, and so on] operating at room temperature and connected to cryogenic qubits via hundreds of coaxial cables [3]. Although it is an impressive engineering feat, such a complex approach is hardly scalable, especially due to the very limited reliability and compactness of the large number of wires required in a million-qubit computer.

A better alternative would be to integrate the qubits and the control electronics on the same die or package and operate them at the same temperature [8]. Toward this goal, control electronics able to operate at cryogenic temperatures in close proximity to the qubits must be developed. CMOS operating at cryogenic temperatures (cryo-CMOS) has proved to be a reliable technology platform for realizing complex cryogenic integrated circuits, as demonstrated by the cryogenic operation of individual circuit blocks [9]–[16] and a pulse modulator for qubit control [17]. As a stepping stone toward a scalable cryogenic electronic interface for a large-scale quantum processor, this work demonstrates a single-chip cryo-CMOS controller (operating at 3 K) optimized for controlling 128 qubits (operating at 20 mK) and requiring minimum interfacing to room-temperature equipment [18]. To support the effectiveness of the designed system-on-chip (SoC), single-qubit operations on a single-electron spin qubit are demonstrated.

Designing a cryogenic controller for large-scale quantum computing comes with several challenges. First, qubits require highly accurate and low-noise microwave control signals to ensure high-fidelity single-qubit operations. For instance, for a π -rotation with 99.99% fidelity in 50 ns, a carrier with 35-kHz frequency accuracy is required with an SNR of 50 dB in a 10-MHz band around the carrier [19]. Besides that, accurate control of the phase of the microwave signal ($<0.2^\circ$) with respect to the qubit's phase is essential to perform coherent qubit operations, i.e., rotations around a well-controlled axis, over the entire duration of the quantum algorithm.

Furthermore, the cooling power available at cryogenic temperatures in typically employed dilution refrigerators is strictly limited to a few watts at 3 K and less than 1 mW at temperatures below 100 mK, thus complicating the integration of a large number of high-performance microwave signal generators. In this work, the focus is on the design of a controller operating at 3 K because of the higher available cooling power. This does not restrict a future co-integration with qubits at the same temperature as the electronics since “hot” qubits operating at temperatures above 1 K have recently been demonstrated and are likely to evolve further in the next few years [20], [21].

While cryo-CMOS circuits have been shown to operate down to 30 mK [22], the device characteristics are different at cryogenic temperatures, and no mature models were available at the design time to accurately predict the behavior of passive and active devices at cryogenic temperatures. Consequently, the circuits need to be designed for robustness against these variations and additional tuning circuitry is required. For instance, a higher threshold voltage is expected for CMOS transistors at cryogenic temperatures, limiting the stacking of transistors in analog circuits [23], unless a supply voltage higher than the nominal is adopted, probably at the cost of

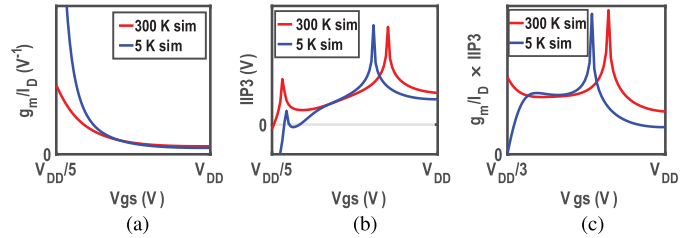


Fig. 1. Simulated (a) g_m/I_D , (b) IIP3, and (c) $g_m/I_D \times IIP3$ at 300 and 5 K for the adopted 22-nm FinFET CMOS technology. The 5 K simulation models were developed from preliminary device characterization performed at 5 K instead of 3 K due to limitations in the probe station temperature control and are expected to be valid from 3 to 20 K, as demonstrated in [35] for another CMOS node.

reduced reliability, based on the limited research available on cryo-CMOS reliability [24]. As an example, Fig. 1 shows the expected change in g_m/I_D -efficiency and linearity of an NMOS FET over temperature. The intrinsic gain is enhanced at cryogenic temperatures, in line with what is reported for other CMOS technologies [23]. It has been shown that device matching degrades at cryogenic temperatures [25]. This directly impacts the linearity of ADCs and DACs and leads to increased offset in differential amplifiers. Furthermore, due to mismatch in the switching devices of a mixer, the degraded matching allows the second-order nonlinearity of the transconductance device to propagate to the output. On the contrary, carrier mobility increases, offering higher driving currents [23], and thermal noise is lower, potentially allowing a lower power consumption. However, the noise power spectral density does not scale linearly with temperature and is only expected to be approximately $10\times$ lower at 3 K compared with 300 K [26]. Some devices are not strongly affected by the cryogenic operation, e.g., the thin-film resistors used in this work show negligible change at 5 K compared with 300 K. The capacitance of metal–oxide–metal capacitors and the inductance of on-chip inductors are expected to slightly change at cryogenic temperatures, while the inductor quality factor can double [27].

Finally, relocating the controller physically closer to the qubits is advantageous for scaling only if a limited number of control lines from room temperature are required. Hence, all or part of the quantum algorithm execution controller needs to be co-integrated at cryogenic temperatures. To ensure a power-efficient design for such a complex SoC with algorithm capabilities, this design leverages the use of qubit frequency-division multiple access (FDMA) [6] to obtain a power-efficient multi-qubit controller. However, employing FDMA introduces several additional challenges. First, the required data bandwidth scales with the number of qubits and the qubit operation speed, ultimately requiring a data bandwidth in the order of 1 GHz. To pack more qubits in the available frequency spectrum, pulse shaping needs to be applied to optimize the spectral content of the microwave pulses. Moreover, a high spurious-free dynamic range (SFDR) is required to ensure that no power is delivered to the qubits that are not addressed at a given time, and a mechanism should be incorporated to efficiently track the phase of all qubits to ensure coherent operations. In addition, phase corrections must be applied to all qubits after every operation to

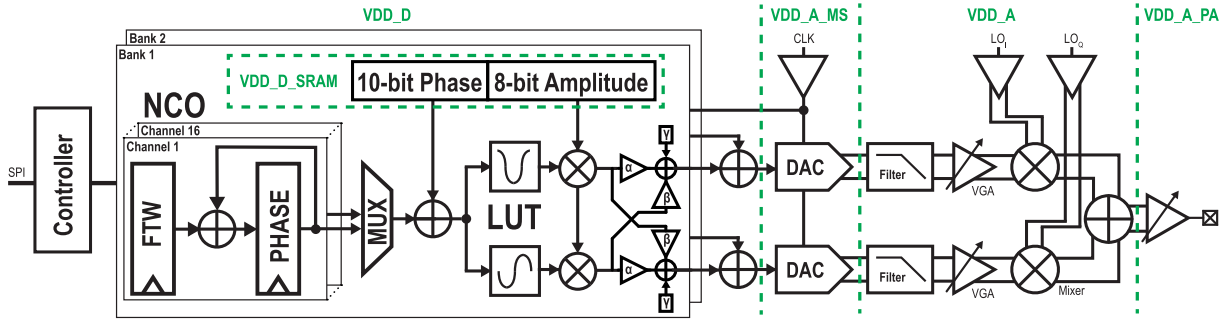


Fig. 2. Architecture of the controller employing direct digital synthesis in the digital back end and SSB modulation in the analog front end. The power supply domains are indicated in green and use the following nominal supply voltages at 3 K unless otherwise stated: $VDD_D = 0.7$ V, $VDD_{D_SRAM} = 0.7$ V, $VDD_{A_MS} = 1.0$ V, $VDD_A = 1.0$ V, and $VDD_{A_PA} = 1.0$ V.

compensate for the ac Stark shift in a frequency-multiplexing scheme [28].

II. SYSTEM ARCHITECTURE AND SPECIFICATIONS

The controller contains four transmitters, each designed following the design methodology presented in [29] to achieve a 99.99% fidelity for controlling 32 frequency-multiplexed single-electron spin qubits or transmons in the frequency range from 5 to 20 GHz. In order to drive X - or Y -rotations on a single qubit¹ in a frequency-multiplexing setup, power needs to be applied only at the frequency of the qubit that needs to perform an operation, with the amount of power setting the speed of the operation, or Rabi frequency (f_R). To avoid addressing the wrong qubit in a frequency-multiplexing scheme, pulse shaping and sufficient qubit frequency spacing are required. It can be shown that a 2-GHz output data bandwidth is required to achieve the target fidelity for 32 frequency-multiplexed qubits with an operation speed up to $f_R = 10$ MHz, as a channel spacing larger than $5f_R$ is required [19].

As discussed in [29], the architecture employing single-sideband (SSB) modulation in the analog front end and direct digital synthesis (DDS) in the digital back end, as shown in Fig. 2, is the most suitable for multiple reasons. Such a system requires only a single LO, setting the desired output frequency band, while supporting multiple qubits at different frequencies in the 2-GHz output band, due to the direct digital synthesizer containing numerically controlled oscillators (NCOs) to keep track of the phase of each qubit. To realize a highly linear RF transmitters with low output power, operating up to 20 GHz, multiple-return-to-zero (MRZ) DAC topologies are typically preferred over a standard RF DAC architecture [30]. However, in comparison, a generic SSB architecture offers the widest data bandwidth, as required to control many qubits, and more flexibility in the choice of the output frequency band independently of the data bandwidth so as to efficiently address different qubit types.

The specifications for the digital back end and analog front end to achieve the desired fidelity of 99.99% are summarized in Table I [29]. The 44-dB output power range is dictated by the support of different qubit types, the desired operating speed

¹Z-rotations are obtained by updating the tracked phase.

TABLE I
REQUIREMENTS OF THE MULTI-QUBIT CONTROL SYSTEM AND
THE SPECIFICATIONS FOR ACHIEVING A 99.99%
FIDELITY FOR A π -ROTATION

System	Qubit technology	Design for single-electron spin-qubits with support for transmons
	Qubit frequency range	5 GHz to 20 GHz
	Data bandwidth	2 GHz
	Number of qubits	32
	Parallel operations	Max. 2 simultaneously
	Qubit Rabi frequency range	1 MHz to 10 MHz
	Output power range	-60 dBm to -16 dBm
	Analog gain control	44 dB
	Pulse duration	Specifications guaranteed from 50 ns to 500 ns
	Pulse modulation	Polar modulation with any envelope
Digital	Number of RF-outputs	1 for 32 qubits
	Number of high-speed inputs	4 for SPI at ~ 1 kb/s
	Power consumption	minimize
	Clock frequency	2.5 GHz
	SNR	54 dB
	SFDR	54 dB
	NCO frequency	22 bit resolution
	LUT address	10 bits (after rounding)
	LUT data	8 bit resolution
	Envelope amplitude	8 bit resolution
Analog	Envelope phase	10 bit resolution
	Correction network (α, β, γ)	9 bit resolution
	Reference clock stability	0.18 ppm
	Clock jitter	0.9 ps _{rms}
	LO frequency	6 GHz to 14 GHz
	LO phase noise	-116 dBc/Hz at 1 MHz offset
	Phase imbalance	0.20 degrees
	DAC Resolution	10 bit
	Reconstruction filter	>33 dB attenuation >11 GHz with <1 dB inband ripple <1 GHz
	Analog front-end SNR	50 dB in 10 MHz bandwidth
Analog front-end HD3	-44 dB	

from 1 to 10 MHz, and the expected variability between different quantum processors. In order to also support transmons, the targeted output frequency range was extended to include 5 to 9 GHz, a range typically used in transmon-based quantum processors. The output power has also been made controllable over a vast range as transmons generally require a lower output power. Finally, baseband polar modulation was added to support the generation of complex envelopes, such as DRAG pulses, which are typically employed in high-fidelity transmon control. The wide output power range, output frequency range, and the support for polar modulation of the envelopes ensure the compatibility with both spin qubits and transmons.

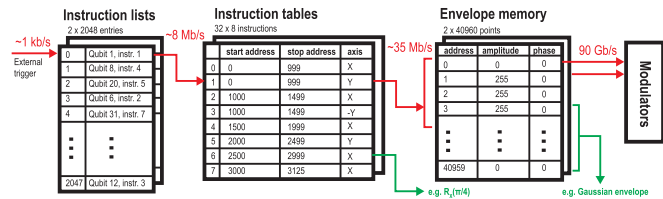


Fig. 3. Memory organization of the integrated controller comprising instruction lists, instruction tables, and envelope memories to gradually reduce the data rate.

The digital back end is designed for the $10\times$ higher fidelity of 99.999%, in order to relax the analog specifications and to achieve a proper balance between the expected analog and digital power consumption [29]. Consequently, the number of bits in the data path is optimized to obtain an SFDR and SNR of 54 dB, as required to achieve this higher fidelity. The number of bits in the NCO is chosen to ensure a frequency inaccuracy lower than the frequency noise of state-of-the-art qubits, i.e., 1.9-kHz rms, determined by the nuclear spin noise in isotopically purified silicon [31]. The maximum frequency inaccuracy of an NCO can be calculated as $f_{clk}/2^{b_{NCO}-1}$, where b_{NCO} refers to the number of bits in the NCO. An electronics/quantum co-simulation of the system considering only the finite number of bits in the digital circuitry confirms that the desired fidelity is obtained for all qubits [29].

The specifications for the analog front end are derived from [19] under the assumption of equal error contributions from the different error sources. A reconstruction filter is required to sufficiently attenuate the DAC replicas that can fall in-band after upconversion. In addition, sufficient in-band flatness should be achieved in order to ease qubit control by removing the need for pre-distorting the microwave pulses.

III. DIGITAL-CIRCUIT DESIGN

The digital back end comprises a controller for algorithm execution and memory management and a digital signal-generation unit. The signal-generation unit employs a DDS, but, unlike the quadrature modulation in [29], polar modulation is adopted to reduce the power consumption by saving two multipliers and an adder. The coefficients used in the I/Q calibration network are selected based on the active qubit channel, i.e., based on the output frequency band, to compensate for the frequency-dependent phase and gain imbalances in the analog circuit. The entire DDS block is replicated to allow for the simultaneous excitation of 2 qubits (see Fig. 2).

As the two signal-generation units require an input data rate of $(8 \text{ bit} + 10 \text{ bit}) \cdot 2.5 \text{ GHz} \cdot 2 = 90 \text{ Gb/s}$, a quantum algorithm execution controller has been integrated, comprising an envelope memory containing the desired pulse envelopes, an instruction table for each qubit referencing the envelopes, and an instruction list containing the sequence of instructions to be executed (see Fig. 3). Since a pulse of 500 ns, or 1250 samples at 2.5 GHz, is required for the lowest operating speed of 1 MHz and the largest rotation angle of π , 2560 samples are available per qubit in the envelope memory (40960 samples

shared over 16 qubits). The envelopes can be efficiently reused for rotations around different axes, as the axis, and the respective phase shift, is defined in the instruction table, which has eight entries per qubit to define the instructions. This is expected to be sufficient, as a typical instruction set will contain a limited set of rotations, e.g., π , $\pi/2$, and $\pi/4$, around the X - and Y -axes. Moreover, the controller automatically performs the qubit Z -rotations required to compensate for the ac Stark shift in a frequency-multiplexing scheme [19], [32], by applying a phase shift defined from a programmable Z -correction table to all NCOs after each generated pulse. Due to this level of digital integration, the external data rate is lowered to $\approx 1 \text{ kb/s}$ using the instruction list during the quantum algorithm execution.

The external interface consists of an SPI interface for programming the various internal memories and triggering the start of the algorithm execution and a dedicated 150-Mb/s shift register to quickly trigger the execution of a single quantum instruction, as often as every $\approx 75 \text{ ns}$. As an alternative to the execution of the pre-programmed instruction list (see Fig. 3), this operation mode allows for fast feedback and conditional branching in the quantum algorithm execution.

Since a cryogenic model of the standard-cell library was not available at the time of design to close timing for synthesis and automated place-and-route (APR), derating factors were implemented to extrapolate the timing behavior at 3 K from the room-temperature models of the standard cell library. The derating factor for the delay of sequential gates is extracted by comparing the simulated oscillation frequency of a nine-inverter ring oscillator at room temperature (using the standard foundry device models) and at 5 K (using a preliminary cryogenic dc device model). Similarly, the derating factors for setup and hold times are extracted by transistor-level simulations of a standard D flip-flop. A common derating factor of ~ 1.3 is determined for all cases, implying about 30% reduction in gate delay and setup/hold times. Using such derating factor for gate delays for synthesis and APR results in effective timing slacks at 5 K for both min and max delay, i.e., timing margins for hold and setup violations, equal or greater than the values targeted for room temperature. Interconnect delay should also be scaled accordingly when using room temperature models to predict 5 K behavior. From transistor measurement de-embedding data, it is evident that interconnect capacitance does not change significantly at 5 K, whereas resistance is reduced by about 50%. A $0.5\times$ derating factor is therefore used for the room temperature extracted resistances during APR to model 5 K interconnect delays.

The SoC is implemented as a digital-on-top system with four transmitters sharing one common I/O block. Timing is resolved at 2.5 GHz, with the SRAMs for the envelope memory operating at 1.25 GHz with $2\times$ time interleaving. The SRAM supply voltage can be controlled independently to ensure correct operation in the presence of an increased threshold voltage at cryogenic temperatures. Standard digital-circuit design-optimization techniques, such as pipelining and time interleaving, along with the aforementioned derating, were used to resolve timing at 2.5 GHz.

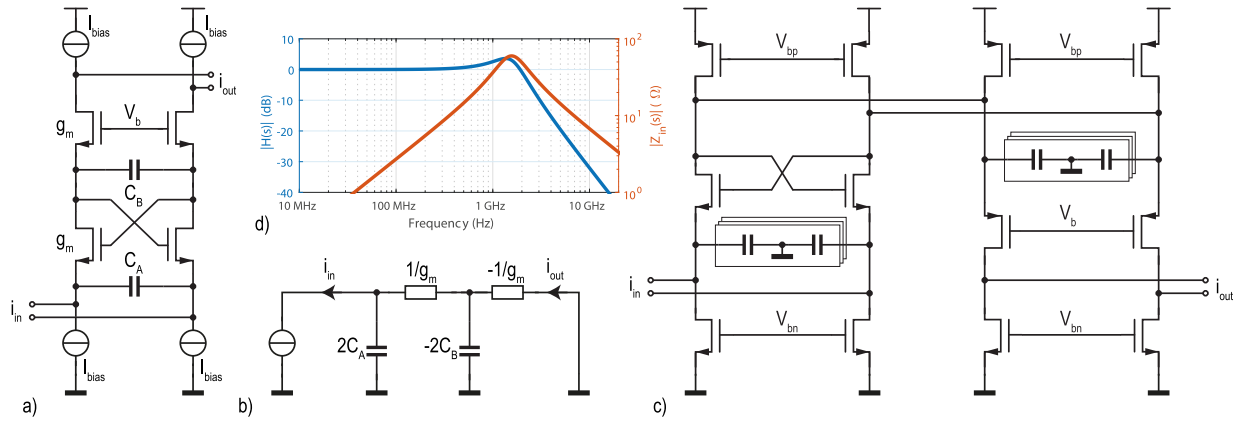


Fig. 4. (a) Structure of the second-order active current-mode gm-C filter implementation, (b) its equivalent small-signal single-sided circuit, (c) schematic of the final folded circuit with tunable capacitors, and (d) transfer function [see (1)] and input impedance of the filter [see (2)].

IV. ANALOG AND RF CIRCUIT DESIGN

Current-mode design prevents the transconductance non-linearity and is thus adopted for the analog baseband, as the baseband circuitry requires a fairly high bandwidth and linearity (>44 dB) and the RF mixer (see Section IV-D) requires an input current. The baseband circuitry comprises a current-steering DAC, a current-mode gm-C reconstruction filter, and a current-mirror-based variable-gain amplifier (VGA) feeding the mixer. The filter is discussed first, as it sets the required baseband signal swing to achieve the desired dynamic range while obtaining the lowest power consumption.

A. Reconstruction Filter

A second-order Chebyshev-I filter with 1.8-GHz cutoff frequency is chosen as it meets the stopband requirement, while its peaking results in the required improved inband flatness near the end of the passband by compensating for the DAC zero-order-hold filter response. A passive implementation of such a filter, as desirable for low noise, distortion, and power consumption, would require a prohibitively large inductor of a few nH, limiting future scaling of the controller. Instead, an active current-mode gm-C filter implementation [structure in Fig. 4(a)] is considered [33]. Due to the cross-coupled transistor pair, the impedance at the output is effectively negative and the equivalent single-sided circuit of Fig. 4(b) is obtained, from which the transfer function $H(s)$ and input impedance $Z_{in}(s)$ follow as:

$$H(s) = \frac{1}{1 + 2\frac{C_B}{g_m}s + 4\frac{C_A C_B}{g_m^2}s^2} \quad (1)$$

$$Z_{in}(s) = H(s) \cdot 2\frac{C_B}{g_m^2}s \quad (2)$$

assuming the same transconductance g_m for all transistors. The transfer function and input impedance of the designed filter are plotted in Fig. 4. The ratios C_A/g_m and C_B/g_m set the transfer function and are therefore fixed by the desired filter response.

The linearity of such a filter is limited by the third-order distortion in the transconductance of the transistor, which leads to a non-linear modulation of the capacitor voltage resulting

in non-linear components in the capacitor current and, hence, in the output current. Therefore, the transistors are biased at an overdrive $V_{gt,opt}$ corresponding to the first peak in the IIP3 plot [see Fig. 1(b)] at both 3 and 300 K as guaranteed by the tunable filter bias current. A high intrinsic gain is also obtained, ensuring an accurate filter transfer function.

For a given linearity, and hence a fixed overdrive $V_{gt,opt}$, the maximum signal current swing scales proportionally to the bias current I_{bias} . This assumes that the filter components are scaled appropriately to maintain the filter transfer function, i.e., by scaling $C_{A,B} \propto I_{bias}$ and the transistor width $\propto I_{bias}$ so that $g_m \propto I_{bias}$. The current noise of the filter is dominated by the bias current sources, which scales $\propto (I_{bias})^{1/2}$. Consequently, the dynamic range of the filter increases by 3 dB when doubling the bias current (I_{bias}), and the minimum bias current to achieve the required dynamic range can be found. Moreover, the required bias current is expected to be $\sim 10\times$ lower at 3 K than at 300 K, as the transistor linearity is not expected to change significantly over temperature, whereas the thermal noise power is expected to be $\sim 10\times$ lower at 3 K than at 300 K. As it is impractical to design the circuit to work over a decade in bias current change, the minimum bias current is chosen for achieving the desired dynamic range only at 3 K, and the resulting bias and signal current is used over the entire temperature range from 3 to 300 K, with a lower expected dynamic range at 300 K.²

Due to the peaking of the filter transfer function, and the DAC sampling replica in the second Nyquist zone, the peak signal swing is about $1.67\times$ higher than the amplitude of the fundamental near the end of the band, requiring a larger bias current for the same linearity. Moreover, as the structure of Fig. 4(a) requires the stacking of four transistors, and the threshold voltage is expected to increase at 3 K, the structure is folded, resulting in a $4\times$ higher power consumption. The final circuit is shown in Fig. 4(c). The capacitors are tunable (C_A from 50% to 125% and C_B from 75% to 200% of their nominal value, respectively) to account for the DAC output capacitance and changes in the transfer characteristic

²Along with 3 K operation, the controller has been designed to operate at 300 K for convenient circuit validation and debugging.

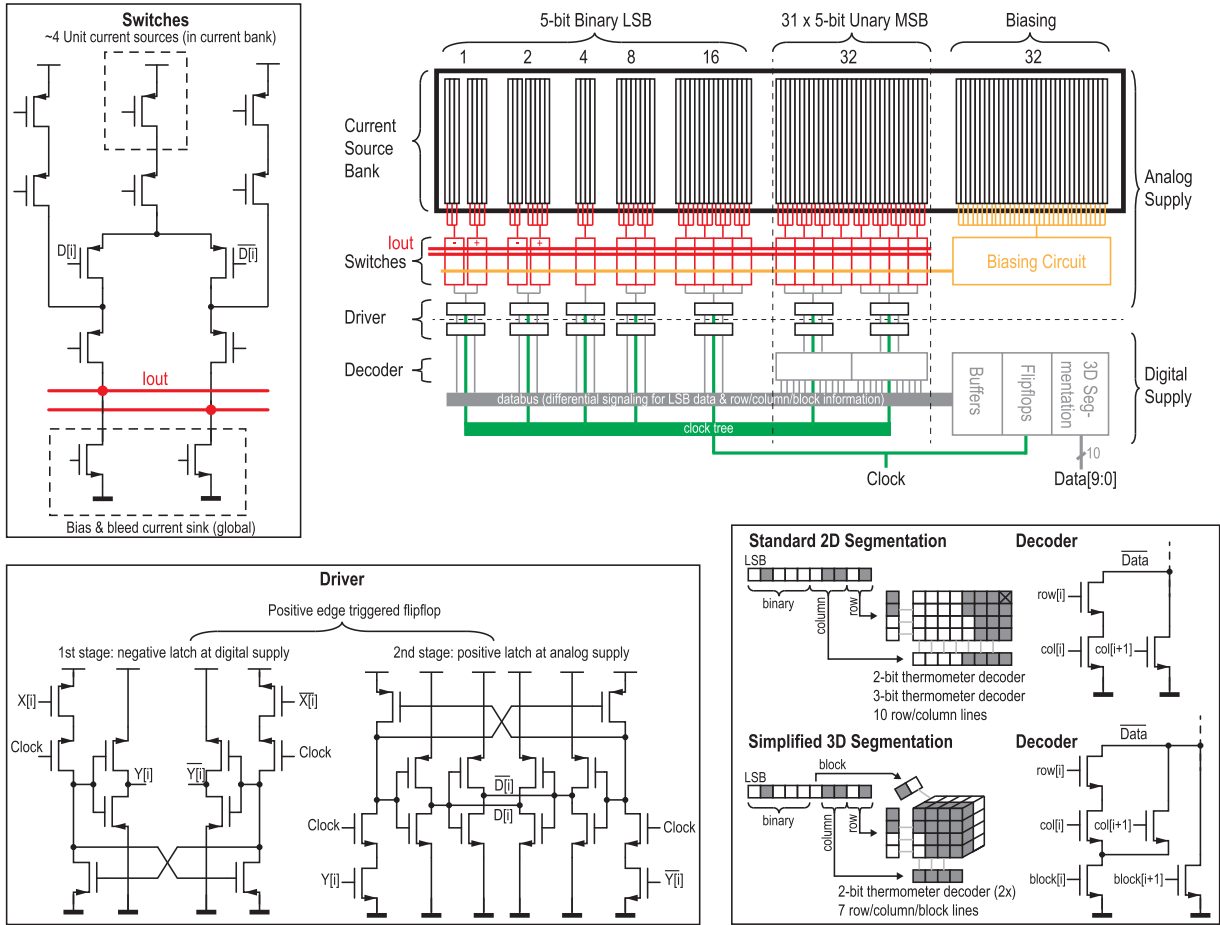


Fig. 5. Organization of the 10-bit current-steering DAC (top right, with only 1 of the 31 unary cells shown, the layout of the current source bank is not accurately represented in this schematic), schematic of the switch circuit with bleed currents and cascodes, schematic of the switch driver, and diagram explaining the simplified 3-D segmentation extending the 2-D row/column decoder with a third dimension named “block” (only the single-ended pull-down network is shown for the fully differential push-pull CMOS decoder).

at cryogenic temperatures, as the transistor transconductance is expected to increase at 3 K [see Fig. 1(a)]. The optimal differential input current of the filter to achieve the required dynamic range at 3 K is $125 \mu A_p$ and is used at both 3 and 300 K as guaranteed by the on-chip bias current generator (see Section IV-F3). The single-ended input impedance [see (2)] peaks to a worst case 60Ω around the corner frequency at 300 K (see Fig. 4).

B. Digital-to-Analog Converter

From the system specifications and the filter design, it follows that a 10-bit current-steering DAC is required, with a unit current of $125 \mu A/2^{10} = 122 \text{ nA}$ from a PMOS current source. Due to the significant overdrive voltage to reduce the effect of threshold voltage mismatch and noise, a low $g_m/I_d \sim 5 \text{ V}^{-1}$ is expected at 3 K. Moreover, assuming a typical device noise excess factor $\gamma \sim 2$ for short-channel devices and a pessimistic junction temperature $T = 30 \text{ K}$ when operating at 3 K, the integrated noise in a 10-MHz bandwidth is

$$i_{n,\text{rms}} = \sqrt{4kT\gamma \left(\frac{g_m}{I_d}\right) I_d \text{BW} \cdot \text{NEF} \cdot N} \approx 6.4 \text{ nA}_{\text{rms}} \quad (3)$$

for the total DAC with $N = 2^{10}$ current sources and a circuit noise excess factor $\text{NEF} = 2$ to account for the noise from the bias current sources at the DAC output (see Fig. 5, top left). This corresponds to an expected peak SNR of 77 dB for a single tone, making the noise contributed by the DAC negligible.

The DAC is segmented in 5-bit unary and 5-bit binary sections as a tradeoff between differential non-linearity (DNL) and decoder complexity (see Fig. 5). A unit current source matching of 0.5% is targeted to achieve a 99.7% yield for 0.5-LSB integral non-linearity (INL) [34]. To account for the expected increase in mismatch at cryogenic temperatures [35], the area of the current sources is doubled. A Monte Carlo simulation shows about a 3-dB loss in SFDR due to current source mismatch at 3 K, achieving ~ 56 -dB SFDR for a single tone (half the DAC swing). Another important source of distortion is the code-dependent output impedance, leading to [36]

$$\text{HD3} = \left(\frac{|Z_L|N}{4|Z_o|}\right)^2 \quad (4)$$

where Z_o is the output impedance of the unit current source, and Z_L is the load impedance, i.e., the input impedance of

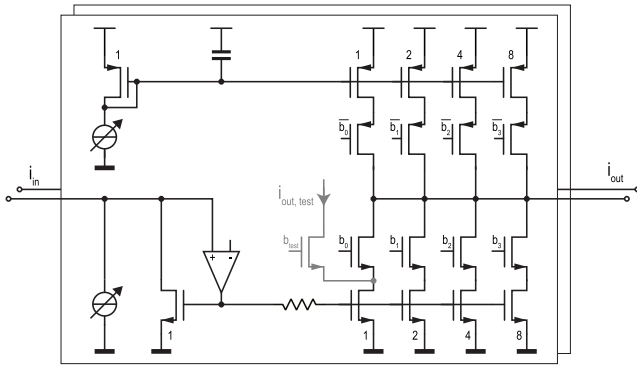


Fig. 6. Schematic of the VGA based on a current mirror [37].

the filter ($Z_{L,max} = 60 \Omega$). Note that scaling the filter to obtain the desired dynamic range does not affect the achievable HD3 of the DAC, since while Z_L decreases for a larger filter, a larger DAC unit current is required, lowering Z_o accordingly, leaving the ratio ($|Z_L|/|Z_o|$) constant. For the stricter two-tone third-order intermodulation (IM3) requirement of 56 dB, $|Z_o| > 290 \text{ k}\Omega$, equivalent to 0.55 fF at 1 GHz, is required. Consequently, bleed currents are used to lower the effective switching impedance [36] (see Fig. 5).³

Due to the very small DAC unit current and constraints in transistor size, there are settling issues. This is resolved by switching the combined current of three, four, or five current sources using a single switching pair with current bleeding and cascoding. The currents for the two least significant bits are obtained by subtraction of larger currents (i.e., 4 LSB – 3 LSB = 1 LSB and 5 LSB – 3 LSB = 2 LSB) at the output. As the switches are still implemented using minimum size devices, the switch glitch energy is minimized, and a single switch driver can drive up to four switches. The switch driver consists of two latches, with the last stage supplied from the analog supply and with a back-to-back inverter at the output for improved symmetrical switching. For the thermometer decoder, the standard row–column decoder [36] has been extended to a 3-D row–column block decoder, as it only requires trivial 2-bit thermometer decoders and reduces the number of lines routed differentially (for minimum crosstalk) to the switch drivers (see Fig. 5). Although the 3-D decoder is slightly slower due to the increased number of stacked transistors, it is not a limiting factor for the required sample rate in the adopted technology.

C. Variable-Gain Amplifier

The VGA is implemented as a tunable current mirror. An additional output branch feeding a buffer is added to monitor the baseband output signal ($I_{out,test}$ in Fig. 6). The filter output current is $\sim 15\times$ smaller than required by the mixer to generate the maximum required output voltage. Hence, the circuit in Fig. 6 is used to provide a 4-bit tunable gain up to $15\times$. As the filter bias current is much higher than the mixer bias current, part of it is sunk at the filter output while maintaining sufficient VGA linearity, and the residual excess

³As the bleed current is about the same as the unit current, the SNR is degraded, but still significantly higher than required.

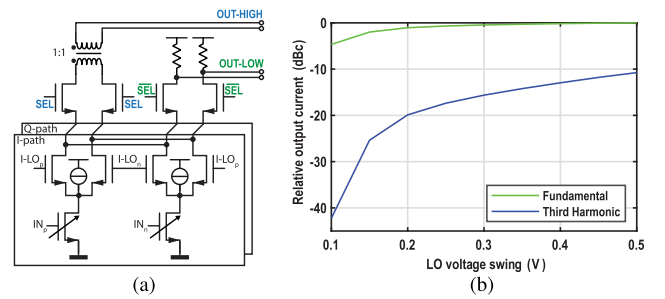


Fig. 7. (a) Double balanced Gilbert cell I/Q active mixer [37], with two output frequency bands. (b) Schematic-level simulation of fundamental and third-harmonic output current from the mixer versus LO swing at 300 K.

bias current is removed at the VGA output (i.e., the mixer bleed current in Section IV-D). Both of these current-bleeding sources are tunable to ensure optimal performance at 3 K.

Due to the reduced bias current in the VGA, and the significantly large output transistor, achieving the required linearity over the full bandwidth is difficult, but it is ensured by adding a single-stage amplifier (PMOS differential pair with current-mirror load) that increases the loop gain and delivers the non-linear current required on the large mirror gate capacitance. Finally, to reduce the LO signal leaking back, a 500- Ω thin-film resistor is added in the current mirror, providing first-order filtering.

D. Mixer

Fig. 7(a) shows the schematic of the dual-frequency-band mixer. The fundamental and third-harmonic output current (obtained by hard switching) of the mixer are used to extend the operating frequency range compared with a traditional double-balanced Gilbert cell I/Q mixer. Cascode devices are added at the output of the switching devices to steer the output current into either a resistive load for the lower frequency band (O_L), i.e., 2–15 GHz, or an inter-stage matching transformer for the higher frequency band (O_H), i.e., 15–20 GHz.

1) *Lower Frequency Band*: The required bandwidth (e.g., 15 GHz) and the parasitic capacitance of the output driver, mixer, and their interconnection set a maximum limit on the load resistance (e.g., $\leq 70 \Omega$). On the other hand, based on the linearity requirements of the output driver (as will be discussed in Section IV-E), the output swing ($V_{out,mixer}$) of the mixer has to be less than 35 mV. Hence, the required current swing (I_{sw}) to be fed from the VGA to the mixer can be estimated by

$$V_{out,mixer} = \sqrt{2} \times 2 \times \frac{2}{\pi} \times I_{sw} \times R_L. \quad (5)$$

To tackle the voltage-headroom issue due to the stacking of four transistors (operating in saturation region) and a resistor, current bleeding is implemented to lower the current in the switching devices, cascodes, and resistor, without sacrificing the required linearity in the VGA [38]. In addition, the resulting smaller switching devices present a lower load capacitance to the LO driver, thus enabling lower power consumption for the LO driver.

2) *Higher Frequency Band*: The output current of the mixer at $3 \times f_{LO} - f_{BB}$ versus the LO swing is shown in Fig. 7(b). The LO swing is chosen to be 300 mV since a further increase

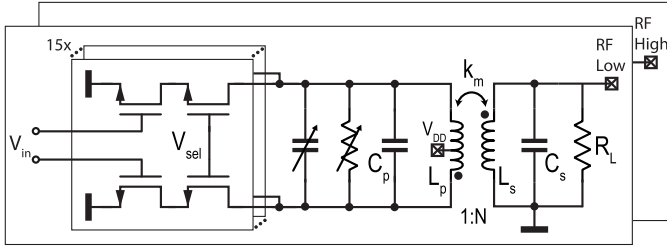


Fig. 8. Output driver schematic.

in swing does not significantly improve the conversion gain at the cost of higher power consumption in the LO driver. Note that the third-harmonic output current is 15 dB lower than the fundamental at 300-mV LO swing, which is compensated by amplification in the following stages. A tuned inter-stage matching network is designed to amplify the third harmonic while attenuating the fundamental tone. To boost the mixer gain at the third harmonic, a relatively narrowband design is chosen, which is more susceptible to unwanted variation at cryogenic temperatures. Hence, switchable resistor and capacitor tuning networks are employed to compensate for this variation.

E. Output Driver

Fig. 8 shows the schematic of the output driver consisting of a class-A amplifier with an output matching network. This design is used for both lower and higher frequency band outputs with different device sizing and matching networks.

The specification of the output driver is to deliver -16 -dBm output power (P_{out}) to a $50\text{-}\Omega$ load, with 50 -dB SFDR setting an OIP3 requirement of 9 dBm. Since $V_{\text{OIP3}} = V_{\text{IIP3}} \times g_m / I_D \times I_D \times R_L$, and both V_{IIP3} and g_m / I_D are determined by the intrinsic device characteristics, the maximum point of this product ($V_{\text{IIP3}} \times g_m / I_D$) at 3 K is chosen to obtain the required linearity at the lowest power consumption while considering voltage headroom and signal swing, as shown in Fig. 1(c). Thus, an overdrive voltage $V_{gt} = 0.25$ V has been chosen, leading to $V_{\text{IIP3}} = 0.63$ V and $g_m / I_D = 8$. Consequently, the maximum input swing ($V_{\text{in,max}}$) to obtain an IM3 of 50 dB can be calculated as

$$V_{\text{in,max}} = \frac{V_{\text{IIP3}}}{10^{\text{IM3}/40}} = \frac{0.63 \text{ V}}{10^{50/40}} = 35 \text{ mV}. \quad (6)$$

The output matching network can be analyzed as a trans-impedance (Z_{21}) network to convert the drain-current swing of the driver transistor to the required voltage swing at the output. The pole ($\omega_{1,2}$) and minimum (ω_3) frequencies of a matching network can be derived from the maxima and minima of Z_{21} , respectively, given as

$$\omega_{1,2} = \sqrt{\frac{1 + \zeta \pm \sqrt{1 - 2\zeta + 4k_m^2 \zeta + \zeta^2}}{2C_s L_s - 2C_s k_m^2 L_s}} \quad (7)$$

$$\omega_3 = \sqrt{\frac{1 + \zeta + \sqrt{1 + 14\zeta - 12k_m^2 \zeta + \zeta^2}}{6C_s L_s - 6C_s k_m^2 L_s}}$$

where L_s is the secondary inductance, C_s is the secondary capacitance, $\zeta = (L_s C_s / L_p C_p)$, L_p is the primary inductance, C_p is the primary capacitance, and k_m is the coupling

factor. In a wideband design, both poles should lie in the bandwidth of interest, and to obtain a flat transfer function, the transimpedance at these poles should be equalized, i.e., $|Z_{21}(\omega_2)/Z_{21}(\omega_1)| = 1$. For a lossless matching network, this can be obtained by setting $\zeta = 1$ [39]. However, with practical quality factors for the inductors, this needs to be increased to, e.g., 1.5 , as shown in Fig. 9(a). Note that the effect of a practical quality factor on the transimpedance ratio between the poles and the minimum [$|Z_{21}(\omega_3)/Z_{21}(\omega_1)|$] is negligible. For a lossless matching network, the bandwidth factor (BWF) ($\text{BWF} = (\omega_1 - \omega_2/\omega_3)$) is minimum at $\zeta = 1$, as shown in Fig. 9(b). Hence, to obtain a flat transfer function ($\zeta \sim 1$) and high BWF, one has to maximize k_m , which is ultimately limited by the physical realization of the transformer. To further increase the BWF for the maximum attainable k_m , ζ should be increased at the cost of flatness in the transfer function, as shown in Fig. 9(a). However, the flatness can be restored by lowering the quality factor at the cost of passive efficiency.

Fig. 9(c) shows the dependence of $|Z_{21}|$ on N ($N = ((L_s/L_p))^{1/2}$). A higher $|Z_{21}|$ or lower N increases the equivalent resistance seen by the driver transistors. Hence, a relatively lower current swing can produce the same output voltage swing. This in turn would demand lower dc bias current and improve the efficiency, as long as the transistor does not enter the triode region, affecting the linearity. This leads to smaller transistors and, consequently, higher bandwidth of the mixer due to lower input capacitance presented by the output driver. Since ζ is already fixed by the flatness and BWF, minimizing N would require maximizing C_s and minimizing C_p , as $N = (\zeta(C_p/C_s))^{1/2}$. The minimum value of C_p is determined by the parasitic capacitance of the output driver, while the optimum C_s can be obtained from the value of loaded quality factor of the secondary side ($Q_L = R_L C_s \omega$) that maximizes the passive efficiency of the matching network at a given frequency [40]. Finally, $N = 0.8$ is obtained.

An increase in the quality factor (Q) of a transformer by a factor of ~ 2 expected at cryogenic temperatures, due to lower substrate losses and a higher metal conductivity [27], can affect the flatness of the transfer function. The transfer function can shift toward higher frequencies due to a reduction in effective inductance and capacitance of the transformer at cryogenic temperatures [27]. To compensate for these variations that are not well predictable, capacitor- and resistor-tuning networks were implemented at the windings of all matching networks.

To maintain a better efficiency at lower output voltage swing, a gain control of 24 dB is achieved by selectively switching 15 unit cells, each consisting of a class-A amplifier and cascode transistor. To further improve the power efficiency, the supply voltage of the driver is lowered without significant impact on linearity since the required output voltage swing is significantly lower than the supply voltage.

F. Auxiliary Circuits

An LO driver, a clock receiver, and a constant- g_m bias circuits are also implemented in each transmitter (TX). Four

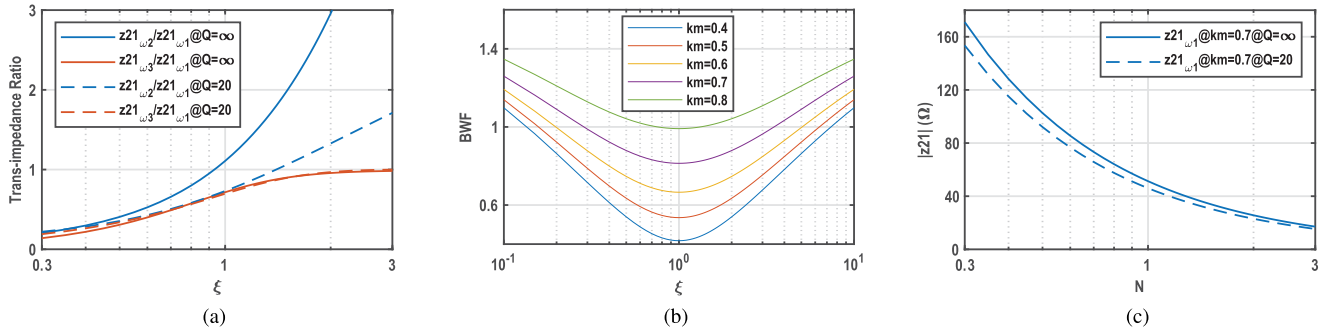


Fig. 9. Optimization of matching networks. (a) Trans-impedance ratio. (b) BWF. (c) Trans-impedance versus N .

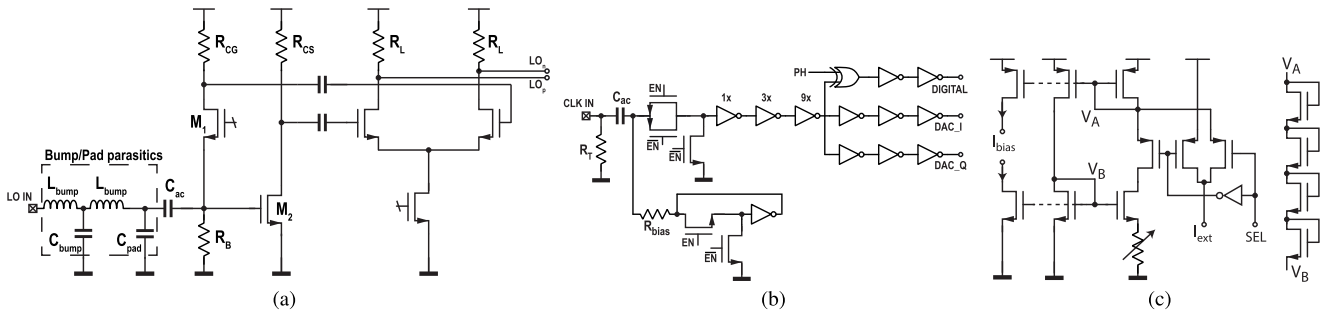


Fig. 10. Auxiliary circuits. (a) LO driver. (b) Clock receiver. (c) Constant- g_m bias circuit [37].

transmitters are integrated into a single chip to increase the number of qubits that can be controlled and to allow for the simultaneous control of 4 qubits at the same frequency through individual transmitter outputs.

1) *LO Driver*: An LO driver with 20-dB voltage gain and 15-GHz bandwidth is designed to deliver the required voltage swing to the mixer while incorporating single-ended to differential conversion. On-chip co-planar waveguide transmission lines are used to connect the input of the LO driver to the I/O bumps. This allows to reduce phase and gain imbalance by allowing the LO driver output to be abutted to mixer switches. Fig. 10(a) shows the schematic of the LO driver. The first stage serves as an active balun converting a single-ended signal into a differential signal while providing wideband input-impedance matching [41]. For proper operation, the input matching is achieved by adjusting M_1 gate bias such that $1/g_{m,M_1} = 50 \Omega$ and by setting the gain of the common-gate (CG) path $g_{m,M_1} R_{CG}$ equal to the gain of the common-source (CS) path $g_{m,M_2} R_{CS}$.

The required gain of $5\times$ at 15 GHz sets the required gain-bandwidth (GBW) to be 75 GHz. For the active balun to directly drive the mixer switches, a load capacitance $C_L = 40$ fF (due to parasitic capacitance of mixer switches, $M1/M2$ devices, and routing traces) limits the maximum load resistance to 180Ω and, consequently, the gain to 3.6. Hence, to achieve the required GBW, a high-speed differential CML amplifier stage is cascaded to the first stage.

The required phase noise specification of -116 dBc/Hz at a 1-MHz offset from the carrier is achieved over the entire frequency range with a power consumption of 7 mW for both I&Q branches.

2) *Clock Receiver*: A clock-receiver circuit provides the rail-to-rail-swing clock signals for the DAC and the digital blocks, powered using the digital supply. All the supplies are substantially decoupled on-chip to reduce the supply noise feedthrough between different circuit blocks. To share a single external clock signal between all four transmitters, each transmitter is ac coupled with an input termination of 200Ω (R_T) to present an equivalent input impedance of 50Ω . A self-biased inverter with power-down option and a transmission gate are employed to individually switch OFF the clock receiver in each transmitter while preventing feed-through during the OFF state. A half-period time shift can be introduced between the clock fed and the digital circuits (DIGITAL) with respect to the DAC (DAC_I, DAC_Q), enabled by a digitally controlled on-chip register PH via an XOR gate, as shown in Fig. 10(b). This can address any potential data timing issue at the digital/DAC interface due to layout mismatch and changes in digital propagation delay at 3 K. A fan-out of 3 is maintained at each stage to obtain the required jitter.

3) *Bias Circuit*: The bias currents are generated by a standard constant- g_m circuit [see Fig. 10(c)]. The desired $g_m = 1/R$ is set by a tunable resistor, which allows the output bias current to be adjusted over a range of 50%–200% relative to the nominal value at 300 K, to ensure the same signal current at 3 and 300 K while accounting for changes in the device transconductance at 3 K. A stack of four diodes is used to start-up the bias circuitry. An externally applied bias current can also be selected and used to start-up the circuit if the stack of diodes is not sufficiently strong due to the increased threshold voltage at cryogenic temperatures.

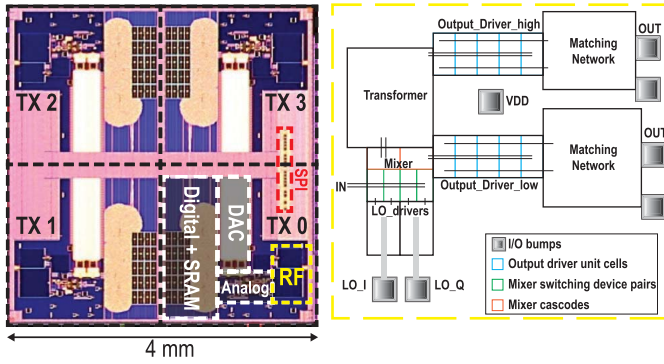


Fig. 11. Chip micrograph and RF circuits' top-level layout.

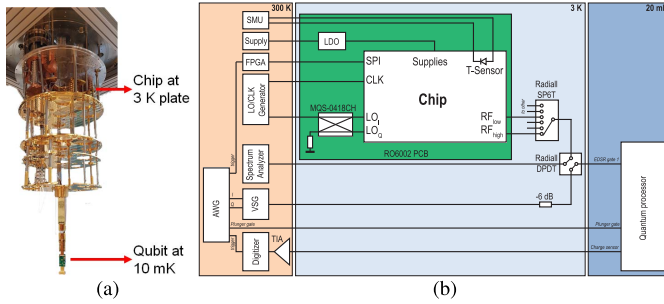


Fig. 12. Measurement setup. (a) Placement in dilution refrigerator. (b) Schematic. The employed LDO is custom designed using discrete components (AD8086 opamp with TSM2314 MOSFET). The BPF used in the measurement presented in Fig. 22 is placed directly at the RF_{low} output, before the SP6T switch. A niobium–titanium (NbTi) coax cable, without attenuators, is used between the 3 K and 20 mK stage.

V. CRYOGENIC ELECTRICAL PERFORMANCE

Fig. 11 shows the micrograph of the chip fabricated in Intel 22-nm FinFET (22FFL) technology [42]. The transmitter architecture shown in Fig. 2 is replicated four times (TX0...TX3) with each instance occupying an area of $4 \text{ m}^2\text{m}$ with a single shared SPI controller on the die.

A. Measurement Setup

The chip is placed on the 3 K plate of a dilution refrigerator. Dual-pole-dual-throw (DPDT) microwave switches are used in the fridge to select the chip or the room-temperature signal generator on one side and the qubit device or the room-temperature spectrum analyzer on the other side (see Fig. 12). This enables proper characterization of the chip performance and the comparison of the qubit control by the room-temperature equipment and the designed chip. A field-programmable gate array (FPGA) is used as the master to synchronize the chip with the other instruments used for qubit readout and initialization.

The die is flip-chip bonded to a BGA324 package with impedance-matched traces and on-package discrete capacitors for supply decoupling. A six-layer PCB is designed to route the RF signals on the top layer with RT/duroid 6002 microwave substrate and dc signals on the bottom layers with FR4 dielectric. The solder-mask areas on the top and bottom layers are minimized to allow better heat transfer. To reduce the number of cables between the room-temperature

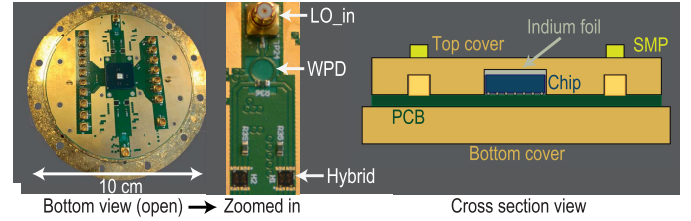


Fig. 13. From left-to-right: the bottom view of the opened gold-plated copper enclosure, a zoom-in on the PCB showing the WPD and discrete hybrids for the LO input, and a drawing of the cross section of the full enclosure.

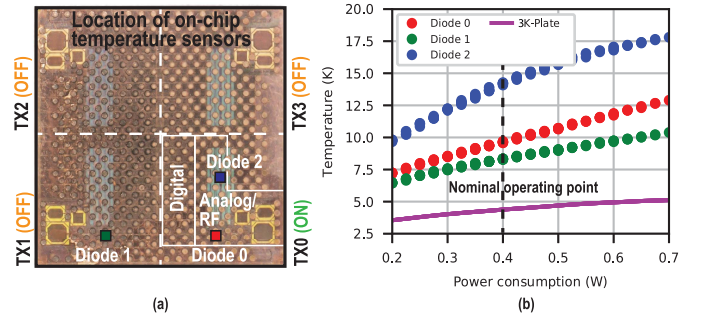


Fig. 14. (a) Placement of on-chip diodes and (b) measured die temperature versus power consumption.

LO generator and the chip inside the dilution refrigerator, each LO line is shared between two transmitters. A custom-designed Wilkinson power divider (WPD) on the PCB with discrete wire-bonded quadrature hybrids was used to generate the required LO signals for the transmitters, as shown in Fig. 13. All the abovementioned components were individually tested at 3 K to verify their performance.

A gold-plated copper enclosure housing the PCB acts as a heat sink for proper thermalization of the chip to the 3 K plate in the fridge, as shown in Fig. 13. Indium foils were sandwiched between the die and the enclosure to maximize the contact surface area and minimize thermal resistance. Due to its high malleability compared with other metals, indium can compensate for the mismatch of the thermal expansion between the two mating surfaces (silicon and gold) at cryogenic temperatures.

To monitor the die temperature, on-chip diodes were placed across the chip, as shown in Fig. 14. These are calibrated using an external silicon diode temperature sensor (with an accuracy of 0.25 K) mounted close to the enclosure, with the chip powered down. Fig. 14 shows the junction and plate temperature as a function of the chip power consumption, which is varied by changing the clock frequency and the supply voltage of the digital circuitry. Although the die self-heating increases significantly with power consumption, the plate temperature is only slightly affected. As the dilution unit is connected to a separate plate with an independent pulse tube cooler, the qubit temperature is not affected.

B. Electrical Characterization

While the functionality of all four transmitters has been verified, the performance of one transmitter is reported in the following.

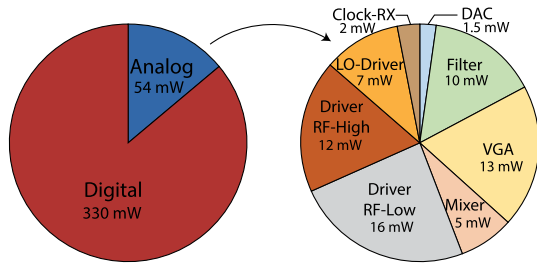


Fig. 15. Power consumption breakdown, resulting in a total power consumption per qubit of $(330 \text{ mW} + 54 \text{ mW})/32 \text{ qubits} = 12 \text{ mW/qubit}$.

Fig. 15 shows the power consumption of the various circuit blocks at the 1-GHz clock frequency. The digital back end dominates the power consumption due to the lack of clock gating in a substantial part of the memory and would increase further with clock speed. Hence, to limit the temperature increase of the fridge plate, the chip is operated at a maximum clock frequency of 1 GHz, limiting the available data bandwidth to 1 GHz. The analog power consumption is dominated by the output drivers due to high-linearity requirements and the support of a $50\text{-}\Omega$ load. The total power consumption of 12 mW/qubit would allow the control of >320 qubits in a state-of-the-art dilution refrigerator, over only ten RF lines, with a single SPI interface wired to room temperature. This is well beyond the number of qubits available in the largest solid-state quantum processor today [3]. Moreover, this work presents a first implementation of the controller, and further power reduction is possible as significant margins were taken during the design to ensure that functionality, large output power, and frequency ranges were included to support multiple qubit technologies; the currently dominating digital power consumption could be reduced by, e.g., clock gating. With such optimizations, scaling to thousands of qubits is expected to be possible in the near term, while a larger cooling power is expected to extend the scaling in the longer term [43]. Due to the integrated digital controller, an external data rate of only $\sim 1 \text{ kb/s}$ over a single trigger line is required, allowing scaling to a large number of controllers sharing a single high-speed connection to room temperature. Moreover, due to the use of FDMA in this work, the number of connections to the quantum processor is reduced by $32\times$. However, supporting millions of qubits in the future with the proposed approach would still require a large number of connections to the quantum processor, but this could be eased by co-integrating the controller and the qubits on the same package or die at the same temperature.

Fig. 16(a) shows the measured output power versus frequency at 3 K for both the output paths. The flatness of the transfer function is deteriorated due to additional ground inductance introduced in the layout between the output matching network and the on-chip solder bumps.

To quantify the attenuation of the sampling replicas and flatness of the baseband transfer function, the measured output at the baseband monitoring node is shown in Fig. 16(b). An in-band flatness of 1.5 dB is obtained up to 500 MHz, as shown in the inset of Fig. 16(b).

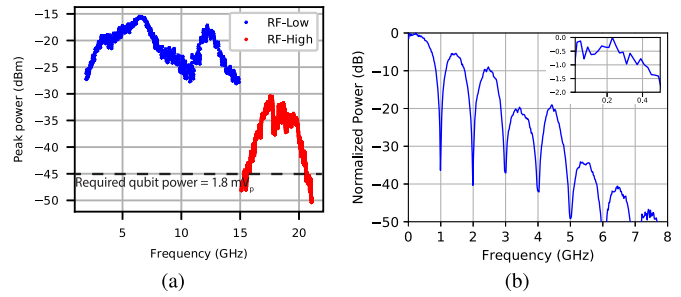


Fig. 16. (a) Measured RF bandwidth. (b) Transfer function of the baseband output (inset: zoomed in from 0 to 0.5 GHz).

The SFDR obtained for single- and two-tone signals at various output frequencies is shown in Fig. 17. From the single-tone spectra shown in Fig. 17(a) and (b), it can be observed that the SFDR is limited by the image-rejection ratio (IRR) of 45 dB obtained after calibration. The SFDR measured for various NCO frequencies over the entire data bandwidth is better than 42 dB, as shown in Fig. 19(a). The achieved LO rejection does not affect the SFDR since it can be avoided by proper choice of the LO frequency.

The SFDR of the two-tone spectrum with a tone spacing of 19 MHz shown in Fig. 17(c) is limited by the second-order intermodulation (IM2) component. Such IM2 can be attributed to the INL of the DAC that shows a quadratic behavior, as shown in Fig. 18(b). This is due to a linear gradient, i.e., systematic mismatch, in the DAC layout that does not use a fully common-centroid layout due to practical layout constraints, but an arrangement only similar to a common-centroid one. This systematic mismatch increases at 3 K. Moreover, random mismatch is degraded at 3 K, as can be seen in the DNL plot in Fig. 18(a) [35]. The large jumps in the DNL plot correspond to the unary element transitions in the segmented DAC. The measured IM3 component with a two-tone spacing of 10 MHz is better than 47 dBc at the highest output power over the entire RF-low bandwidth, as shown in the Fig. 19(b).

The measured SNR at the maximum output power over a 25-MHz bandwidth is greater than 48 dB as shown in Fig. 19(a) complying with the system requirements presented earlier.

Engineering the pulse shape is critical for addressing multiple qubits over a frequency-multiplexed line [19], [32] as the shape of the pulse provides a tradeoff between the speed of operation on the addressed qubit versus unwanted energy leaking into the unaddressed qubits. To demonstrate the pulse shaping capabilities of the chip, various pulse envelopes were applied at different offset frequencies as shown in Fig. 20, which shows the time- (at baseband frequency) and frequency-domain response of the chip output.

VI. QUBIT EXPERIMENTS

The chip is used to control operations on a single spin qubit [44]. The information is encoded in the spin state of a single electron trapped in a Si/SiGe quantum dot in isotopically purified silicon [see Fig. 21(a)] and can be manipulated by applying a fast-oscillating electric field to the electrode above the

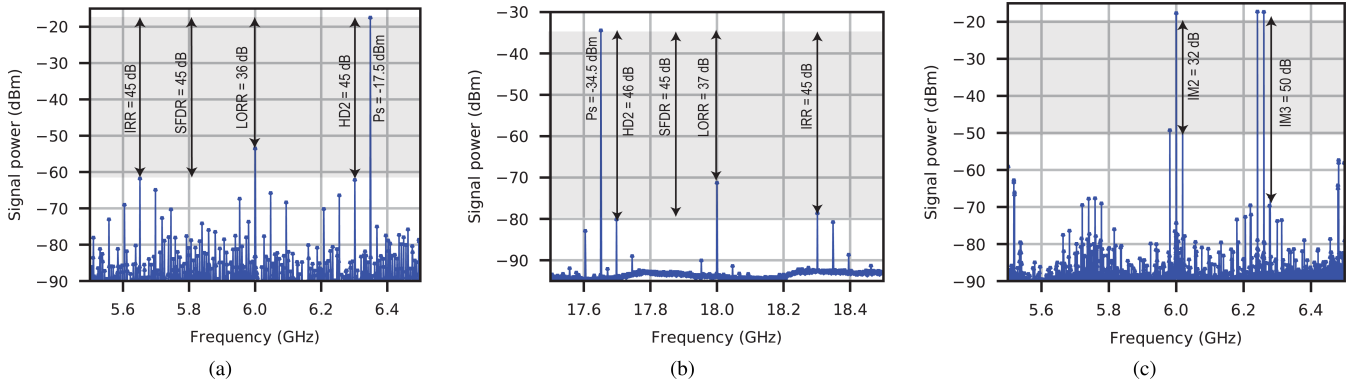


Fig. 17. Single-tone SFDR at (a) 6.35 and (b) 17.65 GHz. (c) Two-tone output at 6.25 and 6.26 GHz, generated using the two DDS banks shown in Fig. 2. For the measured two-tone spectrum around 18 GHz, refer to [18].

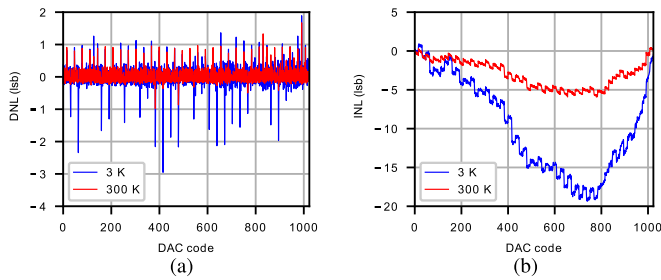


Fig. 18. DAC linearity at RT and 3 K. (a) DNL. (b) INL.

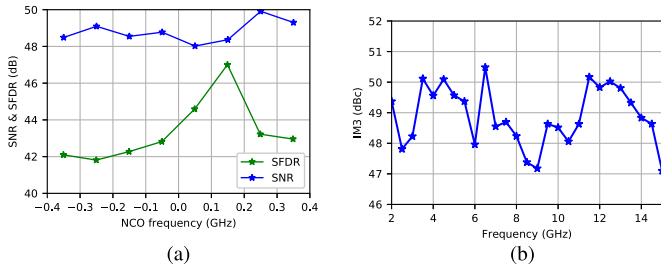


Fig. 19. (a) SNR and single-tone SFDR versus NCO frequencies at 5 GHz. (b) IM3 for a fixed NCO frequency over the entire RF-low band.

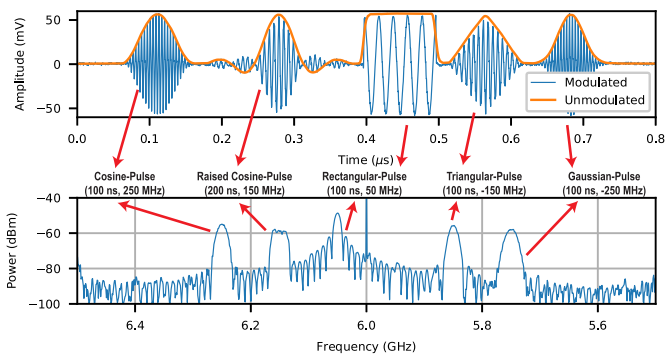


Fig. 20. Pulse shaping. Top: measured time-domain signal at baseband output. Bottom: upconverted output spectrum.

quantum dot through electric dipole spin resonance [45], [46]. The qubit die is mounted on a PCB [see Fig. 21(b)] operated at the base temperature (20 mK) of the dilution refrigerator [6].

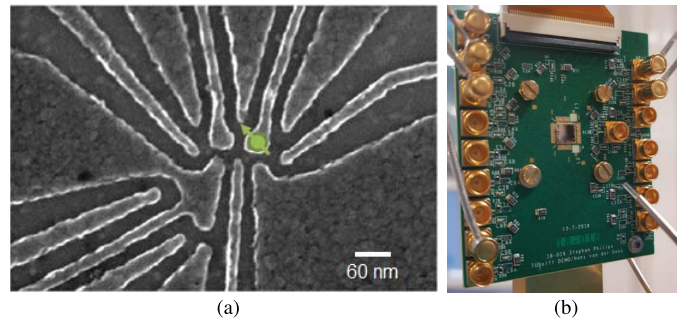


Fig. 21. (a) SEM image of a single spin qubit device. (b) PCB hosting the qubit chip.

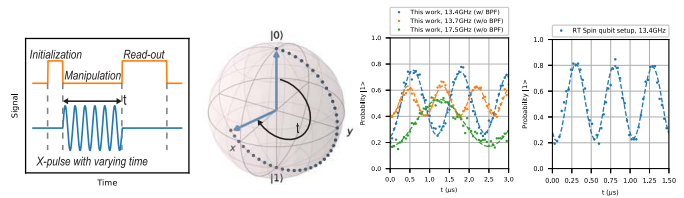


Fig. 22. Rabi oscillations at both 13.7 and 17.5 GHz obtained using the presented controller, with improvement in readout visibility at 13.4 GHz due to the BPF, along with the Rabi oscillation obtained using the RT spin qubit setup.

A. Rabi Oscillation Experiment

To demonstrate qubit control, the oscillatory behavior of a two-level quantum system can be produced in a Rabi experiment. The amplitude of the pulse applied to the qubit determines the speed of rotation, i.e., the Rabi frequency. By applying pulses with increasing duration, the qubit angle of rotation is increased, producing a typical oscillating pattern. In this experiment, the qubit is first initialized to state $|0\rangle$ and then excited by a rectangular microwave pulse with a given duration, and finally, the quantum state is read out. By varying the pulse duration and averaging the results over multiple runs, a Rabi frequency of 1 MHz and 400 kHz at 13.4 GHz (RF-low output) and 17.5 GHz (RF-high output), respectively, has been measured (see Fig. 22). A similar performance obtained with the room-temperature control validates the effectiveness of the cryo-CMOS controller.

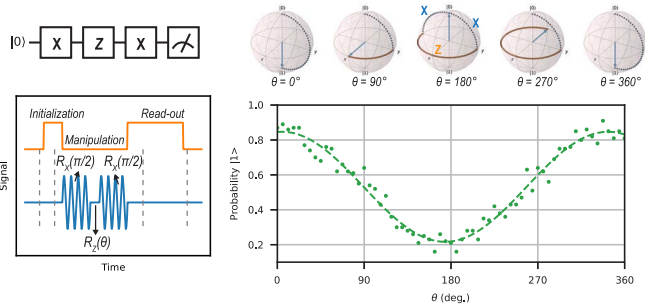


Fig. 23. Explanation and measurement results of the X - θ experiment.

The visibility of the adopted Elzerman readout [47], i.e., the difference between the highest and lowest probabilities obtained after readout, is affected by noise on the qubit device gates. To improve the readout visibility, a bandpass filter (BPF) with 2-GHz passband has been added to the chip output to remove out-of-band spectral content. As shown in Fig. 22, this resulted in an improved readout visibility compared to [18], comparable to that obtained with the room-temperature control. The currently used discrete fixed-frequency BPF could be replaced by an surface acoustic wave (SAW) filter on the PCB or by an on-chip higher-order reconstruction filter and/or by a passive filter at the mixer output when the frequency of qubits is fixed to a certain range.

B. Ramsey-Style Experiment

To demonstrate coherent qubit control over two axes, a Ramsey-style experiment is carried out [6]. Here, the qubit is initialized to state $|0\rangle$ and two rotations around the X -axis are then applied ($R_X((\pi/2))$) sandwiched by a Z -gate of varying angle from 0° to 360° ($R_Z(\theta)$). This resulted in a cosinusoidal variation in the measured $|1\rangle$ probability (see Fig. 23) as expected. The X -rotation is implemented by a microwave rectangular pulse with a duration directly proportional to the rotation angle. Since the electron rotates around the Z -axis under the influence of an external magnetic field, a Z -rotation can be achieved by waiting for a certain time proportional to the rotating angle, without generating any signal. However, in this experiment, the Z -rotation is implemented by updating the reference phase of the NCO (applying a digital phase offset), which continuously keeps track of this phase evolution. The experimental data closely tracking the theoretical expectation prove coherent qubit control and the capability of correctly executing any type of single-qubit gate.

Based on the measured electrical performance of the controller and co-simulations with the qubits [48], we expect to achieve the targeted fidelity of 99.99%. Ultimately, a randomized benchmarking experiment should be performed to measure the control fidelity. In this work, a Ramsey-style experiment has been employed to demonstrate the controller capabilities, specifically the ability to perform coherent operations and the ability to perform software Z -rotations.

C. Comparison With State of the Art

Table II summarizes the performance of the chip. Compared with the state of the art [17], this work incorporates a wideband

TABLE II
COMPARISON TABLE

Parameter	This work	JSSC'19[17]	RSI'17[49]	RT setup
Operating temperature	3 K	3 K	300 K	300 K
Compatible qubit platforms	Spin qubits & Transmons	Transmons [§]	Transmons [§]	Spin qubits [§]
Qubit frequency	2-20 GHz	4-8 GHz	-	<20 GHz
Channels	32 (128 with 4 TX)	1	4	1
FDMA	Yes, SSB	No	Yes, SSB	No
Data Bandwidth	1 GHz	400 MHz	960 MHz	520 MHz
SFDR [*]	>42 dB	N/A	-	70 dB
IM3 ($\Delta f = 10$ MHz)	>47 dB	N/A	-	-
SNR (BW=25 MHz)	48 dB	N/A	-	-
Image & LO leakage calibration	On-chip	Off-chip	Yes	-
Phase correction	Yes	No	No	No
Fidelity (expected) [†]	99.99%	-	-	-
Waveform/Instructions	Upto 40960 pts AWG	Fixed 22 pts symmetric	-	16M points AWG
Instruction set	Yes	No	Yes	Yes
Power/TX	Analog: 1.7 mW/qubit [‡] Digital: 330 mW [#]	Analog <2 mW/qubit	-	850 W
Chip area/TX	4 mm ²	1.6 mm ²	Discrete	Rack-mount
Technology	Intel 22 nm FinFET CMOS	28 nm bulk CMOS	-	-

^{*} single tone excluding residual LO leakage

[‡] including LO & clock driver, only RF-Low active ($f_{LO} = 6$ GHz)

[#] can be reduced with clock gating

[§] no information is available regarding compatibility with other qubit technologies & extrapolated from electrical performance and simulations

SFDR, IM3 and SNR values are valid for the entire 2-20 GHz range

RF output to support multiple qubit technologies, frequency multiplexing for scalability with low power consumption, and a digitally intensive back end with an arbitrary-waveform generation memory of >40k points and the support of an instruction set for low-latency quantum-algorithm execution.

VII. CONCLUSION

By leveraging their very large scale of integration, cryogenic CMOS circuits can help solve the interconnect bottleneck between the quantum processor and its control electronics, thus enabling to scale up the number of qubits in quantum computers. The cryogenic microwave signal generator demonstrated in this work comprises an integrated digital controller that can translate qubit gate operations into the microwave signals necessary for the execution of quantum algorithms. Although the qubit fidelity limits the performance of experimentally driving a spin qubit, the chip is capable of controlling 128 qubits with a 99.99% theoretical fidelity due to the spectral purity of the generated signals. The achieved power efficiency (12 mW/qubit) enabled by a digitally intensive architecture and the frequency multiplexing allows for operating the chip at 3 K within the cooling capabilities of standard cryogenic refrigerators. This paves the way toward large scale-quantum computers exploiting control electronics and qubits operating in close proximity at a similar cryogenic temperature.

ACKNOWLEDGMENT

The authors would like to thank M. Fredette, C. Le, C. Paulino, R. Lee, R. Mckee, C. Hull, J. Clarke, J. Held, S. Kale, J. Feng, M. Chakravorty, R. Stingel, T. Prabhakaran, J. Lim, S. Suzuki, D. Vemparala, D. Souza, L. Lampert, J. Park, and U. Jalan from Intel and Z. Y. Chang,

O. Benningshof, M. Sarsby, N. Alberts, T. Alkemade, B. Bakker, H. Homulle, and R. N. Schouten from the Delft University of Technology, Delft, The Netherlands.

REFERENCES

- [1] M. Reiher, N. Wiebe, K. M. Svore, D. Wecker, and M. Troyer, "Elucidating reaction mechanisms on quantum computers," *Proc. Nat. Acad. Sci. USA*, vol. 114, no. 29, pp. 7555–7560, Jul. 2017.
- [2] A. G. Fowler, M. Mariantoni, J. M. Martinis, and A. N. Cleland, "Surface codes: Towards practical large-scale quantum computation," *Phys. Rev. A, Gen. Phys.*, vol. 86, no. 3, Sep. 2012, Art. no. 032324.
- [3] F. Arute *et al.*, "Quantum supremacy using a programmable superconducting processor," *Nature*, vol. 574, no. 7779, pp. 505–510, 2019.
- [4] N. Friis *et al.*, "Observation of entangled states of a fully controlled 20-qubit system," *Phys. Rev. X*, vol. 8, no. 2, Apr. 2018, Art. no. 021012.
- [5] X.-L. Wang *et al.*, "Experimental ten-photon entanglement," *Phys. Rev. Lett.*, vol. 117, no. 21, Art. no. 210502, 2016.
- [6] T. F. Watson *et al.*, "A programmable two-qubit quantum processor in silicon," *Nature*, vol. 555, no. 7698, pp. 633–637, Mar. 2018.
- [7] X. Zhang, H.-O. Li, G. Cao, M. Xiao, G.-C. Guo, and G.-P. Guo, "Semiconductor quantum computation," *Nat. Sci. Rev.*, vol. 6, no. 1, pp. 32–54, 2019.
- [8] L. M. K. Vandersypen *et al.*, "Interfacing spin qubits in quantum dots and donors—Hot, dense, and coherent," *NPJ Quantum Inf.*, vol. 3, no. 1, p. 34, 2017.
- [9] B. Patra *et al.*, "Cryo-CMOS circuits and systems for quantum computing applications," *IEEE J. Solid-State Circuits*, vol. 53, no. 1, pp. 309–321, Jan. 2018.
- [10] H. Homulle, F. Sebastiano, and E. Charbon, "Deep-cryogenic voltage references in 40-nm CMOS," *IEEE Solid-State Circuits Lett.*, vol. 1, no. 5, pp. 110–113, May 2018.
- [11] J. van Staveren *et al.*, "Voltage references for the ultra-wide temperature range from 4.2K to 300K in 40-nm CMOS," in *Proc. IEEE 45th Eur. Solid State Circuits Conf. (ESSCIRC)*, Sep. 2019, pp. 37–40.
- [12] M. Mehrpoo, F. Sebastiano, E. Charbon, and M. Babaie, "A cryogenic CMOS parametric amplifier," *IEEE Solid-State Circuits Lett.*, vol. 3, pp. 5–8, 2020.
- [13] J. Gong, Y. Chen, F. Sebastiano, E. Charbon, and M. Babaie, "19.3 a 200dB FoM 4-to-5GHz cryogenic oscillator with an automatic common-mode resonance calibration for quantum computing applications," in *IEEE ISSCC Dig. Tech. Papers*, Feb. 2020, pp. 308–310.
- [14] A. Ruffino, Y. Peng, F. Sebastiano, M. Babaie, and E. Charbon, "A wideband low-power cryogenic CMOS circulator for quantum applications," *IEEE J. Solid-State Circuits*, vol. 55, no. 5, pp. 1224–1238, May 2020.
- [15] L. L. Guevel *et al.*, "19.2 a 110mK 295 μ W 28nm FDSOI CMOS quantum integrated circuit with a 2.8GHz excitation and nA current sensing of an on-chip double quantum dot," in *IEEE ISSCC Dig. Tech. Papers*, Feb. 2020, pp. 306–308.
- [16] I. Bashir *et al.*, "A mixed-signal control core for a fully integrated semiconductor quantum computer System-on-Chip," in *Proc. IEEE 45th Eur. Solid State Circuits Conf. (ESSCIRC)*, Sep. 2019, pp. 125–128.
- [17] J. C. Bardin *et al.*, "Design and characterization of a 28-nm bulk-CMOS cryogenic quantum controller dissipating less than 2 mW at 3 k," *IEEE J. Solid-State Circuits*, vol. 54, no. 11, pp. 3043–3060, Nov. 2019.
- [18] B. Patra *et al.*, "19.1 a scalable cryo-CMOS 2-to-20GHz digitally intensive controller for 4 \times 32 frequency multiplexed spin qubits/transmons in 22nm FinFET technology for quantum computers," in *IEEE ISSCC Dig. Tech. Papers*, Feb. 2020, pp. 304–306.
- [19] J. P. G. van Dijk *et al.*, "Impact of classical control electronics on qubit fidelity," *Phys. Rev. A, Gen. Phys.*, vol. 12, no. 4, Oct. 2019, Art. no. 044054.
- [20] C. H. Yang *et al.*, "Operation of a silicon quantum processor unit cell above one Kelvin," *Nature*, vol. 580, no. 7803, pp. 350–354, Apr. 2020.
- [21] L. Petit *et al.*, "Universal quantum logic in hot silicon Qubits," *Nature*, vol. 580, no. 7803, pp. 355–359, Apr. 2020.
- [22] S. R. Ekanayake, T. Lehmann, A. S. Dzurak, R. G. Clark, and A. Brawley, "Characterization of SOS-CMOS FETs at low temperatures for the design of integrated circuits for quantum bit control and readout," *IEEE Trans. Electron Devices*, vol. 57, no. 2, pp. 539–547, Feb. 2010.
- [23] R. M. Incandela, L. Song, H. Homulle, E. Charbon, A. Vladimirescu, and F. Sebastiano, "Characterization and compact modeling of nanometer CMOS transistors at deep-cryogenic temperatures," *IEEE J. Electron Devices Soc.*, vol. 6, pp. 996–1006, 2018.
- [24] A. Grill *et al.*, "Reliability and variability of advanced CMOS devices at cryogenic temperatures," in *Proc. IEEE Int. Rel. Phys. Symp. (IRPS)*, Apr. 2020, pp. 1–6.
- [25] P. A. T. Hart, M. Babaie, E. Charbon, A. Vladimirescu, and F. Sebastiano, "Characterization and modeling of mismatch in cryo-CMOS," *IEEE J. Electron Devices Soc.*, vol. 8, pp. 263–273, 2020.
- [26] A. H. Coskun and J. C. Bardin, "Cryogenic small-signal and noise performance of 32nm SOI CMOS," in *IEEE MTT-S Int. Microw. Symp. Dig.*, Jun. 2014, pp. 1–4.
- [27] B. Patra, M. Mehrpoo, A. Ruffino, F. Sebastiano, E. Charbon, and M. Babaie, "Characterization and analysis of on-chip microwave passive components at cryogenic temperatures," *IEEE J. Electron Devices Soc.*, vol. 8, pp. 448–456, 2020.
- [28] L. M. K. Vandersypen, "Experimental quantum computation with nuclear spins in liquid solution," Ph.D. dissertation, Dept. Elect. Eng., Stanford University, Stanford, CA, USA, 2001.
- [29] J. P. G. van Dijk, B. Patra, S. Pellerano, E. Charbon, F. Sebastiano, and M. Babaie, "Designing a DDS-based SoC for high-fidelity multi-qubit control," *IEEE Trans. Circuits Syst. I, Reg. Papers*, early access, Sep. 9, 2020.
- [30] L. Duncan *et al.*, "A 10-bit DC-20-GHz multiple-return-to-zero DAC with >48-dB SFDR," *IEEE J. Solid-State Circuits*, vol. 52, no. 12, pp. 3262–3275, Dec. 2017.
- [31] M. Veldhorst *et al.*, "An addressable quantum dot qubit with fault-tolerant control-fidelity," *Nature Nanotechnol.*, vol. 9, no. 12, p. 981, 2014.
- [32] M. Steffen, L. M. K. Vandersypen, and I. L. Chuang, "Simultaneous soft pulses applied at nearby frequencies," *J. Magn. Reson.*, vol. 146, no. 2, pp. 369–374, Oct. 2000.
- [33] Y. Wang, C. Hull, G. Murata, and S. Ravid, "A linear-in-dB analog baseband circuit for low power 60GHz receiver in standard 65nm CMOS," in *Proc. IEEE Radio Freq. Integr. Circuits Symp. (RFIC)*, Jun. 2013, pp. 225–228.
- [34] A. van den Bosch, M. A. F. Borremans, M. S. J. Steyaert, and W. Sansen, "A 10-bit 1-GSample/s nyquist current-steering CMOS D/A converter," *IEEE J. Solid-State Circuits*, vol. 36, no. 3, pp. 315–324, Mar. 2001.
- [35] P. A. 't Hart, J. P. G. van Dijk, M. Babaie, E. Charbon, A. Vladimirescu, and F. Sebastiano, "Characterization and model validation of mismatch in nanometer CMOS at cryogenic temperatures," in *Proc. 48th Eur. Solid-State Device Res. Conf. (ESSDERC)*, Sep. 2018, pp. 246–249.
- [36] C.-H. Lin *et al.*, "A 12 bit 2.9 GS/s DAC with IM3 << -60 dBc beyond 1 GHz in 65 nm CMOS," *IEEE J. Solid-State Circuits*, vol. 44, no. 12, pp. 3285–3293, Dec. 2009.
- [37] B. Razavi, *Design of Analog CMOS Integrated Circuits*. New York, NY, USA: McGraw-Hill, 2002.
- [38] S. G. Lee and J. K. Choi, "Current-reuse bleeding mixer," *Electron. Lett.*, vol. 36, no. 8, pp. 696–697, Apr. 2000.
- [39] M. Vigilante and P. Reynaert, "On the design of wideband transformer-based fourth order matching networks for E-band receivers in 28-nm CMOS," *IEEE J. Solid-State Circuits*, vol. 52, no. 8, pp. 2071–2082, Aug. 2017.
- [40] M. Babaie *et al.*, "A fully integrated Bluetooth low-energy transmitter in 28 nm CMOS with 36% system efficiency at 3 dBm," *IEEE J. Solid-State Circuits*, vol. 51, no. 7, pp. 1547–1565, Jul. 2016.
- [41] S. C. Blaakmeer, E. A. M. Klumperink, D. M. W. Leenaerts, and B. Nauta, "Wideband balun-LNA with simultaneous output balancing, noise-canceling and distortion-canceling," *IEEE J. Solid-State Circuits*, vol. 43, no. 6, pp. 1341–1350, Jun. 2008.
- [42] B. Sell *et al.*, "22FFL: A high performance and ultra low power FinFET technology for mobile and RF applications," in *IEDM Tech. Dig.*, Dec. 2017, pp. 4–29.
- [43] L. Tavian, "Latest developments in cryogenics at CERN," CERN, Geneva, Switzerland, Tech. Rep. CERN/AT 2005-11, 2005.
- [44] L. M. K. Vandersypen and M. A. Eriksson, "Quantum computing with semiconductor spins," *Phys. Today*, vol. 72, no. 8, pp. 38–45, Aug. 2019.
- [45] M. Pioro-Ladrière *et al.*, "Electrically driven single-electron spin resonance in a slanting zeeman field," *Nature Phys.*, vol. 4, no. 10, pp. 776–779, Oct. 2008.
- [46] E. Kawakami *et al.*, "Electrical control of a long-lived spin qubit in a Si/SiGe quantum dot," *Nature Nanotechnol.*, vol. 9, no. 9, p. 666, Sep. 2014.
- [47] J. M. Elzerman, R. Hanson, L. H. W. van Beveren, B. Witkamp, L. M. K. Vandersypen, and L. P. Kouwenhoven, "Single-shot read-out of an individual electron spin in a quantum dot," *Nature*, vol. 430, no. 6998, pp. 431–435, Jul. 2004.
- [48] J. van Dijk, A. Vladimirescu, M. Babaie, E. Charbon, and F. Sebastiano, "A co-design methodology for scalable quantum processors and their classical electronic interface," in *Proc. Design, Autom. Test Eur. Conf. Exhib. (DATE)*, Mar. 2018, pp. 573–576.
- [49] C. A. Ryan, B. R. Johnson, D. Ristè, B. Donovan, and T. A. Ohki, "Hardware for dynamic quantum computing," *Rev. Sci. Instrum.*, vol. 88, no. 10, Oct. 2017, Art. no. 104703.



Jeroen Petrus Gerardus Van Dijk (Student Member, IEEE) received the B.Sc. and M.Sc. degrees in electrical engineering from the Delft University of Technology, Delft, The Netherlands, in 2013 and 2016, respectively, where he is currently pursuing the Ph.D. degree in applied quantum architectures under supervision of Prof. Dr. E. Charbon.

During his Ph.D. study, he worked as an RF and Mixed Signal IC Design Intern with Intel Labs, Hillsboro, OR, USA, from 2017 to 2018. His research interests include analog and mixed-signal circuit design, low-power techniques, and single-electron spin qubits.

Mr. van Dijk was a recipient of the Best IP Award at DATE in 2018.



Bishnu Patra (Student Member, IEEE) received the M.Sc. degree in electrical engineering (microelectronics) from the Delft University of Technology, Delft, The Netherlands, in 2016, where he is currently pursuing the Ph.D. degree, focusing on cryogenic RF integrated circuits for quantum computing applications.

From 2013 to 2014, he was a B.Sc. Researcher with the ELCA Department, Delft University of Technology. During his Ph.D. study, he worked as an RF and Mixed Signal IC Design Intern with Intel Labs, Hillsboro, OR, USA, from 2017 to 2018. His research interests include RF transmitters for qubit control, CMOS frequency synthesizers, and design and modeling of microwave passive components at cryogenic temperatures.

Mr. Patra was a recipient of the 2014 M.Sc. Faculty Scholarship by the Microelectronics Research Department, Delft University of Technology, and the IEEE Solid-State Circuits Society Predoctoral Achievement Award for the period 2019–2020.



Sushil Subramanian (Member, IEEE) received the B.Tech. degree in electronics and electrical communication engineering from IIT Kharagpur, Kharagpur, India, in 2009, and the M.S. and Ph.D. degrees in electrical engineering from the University of Southern California, Los Angeles, CA, USA, in 2017.

He is currently with Intel Labs, Intel Corporation, Hillsboro, OR, USA, where he works on integrated circuits and systems for qubit control in quantum computers.



Xiao Xue received the B.S. degree in physics from the University of Science and Technology of China (USTC), Hefei, China, in 2014.

After studying at the Graduate School, Tsinghua University, Beijing, China, and a research internship at the École polytechnique fédérale de Lausanne (EPFL), Lausanne, Switzerland, he joined QuTech, Delft University of Technology, Delft, The Netherlands, in 2017, for his Ph.D. research on spin qubits in silicon.



Nodar Samkharadze received the B.S. degree in physics from the Moscow Institute of Physics and Technology, Dolgoprudny, Russia, in 2008, and the M.S. and Ph.D. degrees in physics from Purdue University, West Lafayette, IN, USA, in 2010 and 2013, respectively.

He was a Post-Doctoral Researcher with QuTech, Delft University of Technology, Delft, The Netherlands, from 2014 to 2018, working on coupling spin qubits with microwave photons. In 2018, he joined the Netherlands Organisation for Applied Scientific Research (TNO), Delft, as a Staff Scientist, with a primary focus on the development of quantum technologies. Within QuTech collaboration, he designed, fabricated, and calibrated the spin qubit quantum processor in Quantum Inspire, the first multi-technology platform quantum computer demonstrator in cloud.



Andrea Corna was born in Bergamo, Italy, in 1988. He received the B.Sc. and M.Sc. degrees (*cum laude*) in physics from the University of Milano Bicocca, Milan, Italy, in 2010 and 2013, and the Ph.D. degree in physics from the Grenoble Alpes University, Grenoble, France, in 2017.

In 2017, he joined QuTech, Delft University of Technology, Delft, The Netherlands, where he was involved in the design and test of cryogenic circuits for quantum computing control and readout. Since 2019, he has been with Zurich Instruments AG, Zürich, Switzerland, where he is currently an Application Scientist for quantum technologies.



Charles Jeon (Member, IEEE) received the B.S. degree in electrical engineering and mathematics and the M.S. degree in electrical engineering and from the University of Pennsylvania, Philadelphia, PA, USA, in 2013, the B.S. degree in economics from The Wharton School, University of Pennsylvania, in 2013, and the Ph.D. degree in electrical and computer engineering from Cornell University, Ithaca, NY, USA, in 2019.

He was a Research Scientist with Intel Labs, Hillsboro, OR, USA. He is currently a Wireless Design Engineer with Apple Inc., San Diego, CA, USA. His research interests include wireless communications, signal processing, and digital VLSI design.



Farhana Sheikh (Senior Member, IEEE) received the B.Eng. degree (Hons.) in systems and computer engineering from Carleton University, Ottawa, ON, Canada, in 1993, and the M.Sc. and Ph.D. degrees in electrical engineering and computer sciences from the University of California at Berkeley, Berkeley, CA, USA, in 1996 and 2008, respectively.

From 1993 to 1994, she worked at Nortel Networks, Ottawa, as a Software Engineer in firmware and embedded system design. From 1996 to 2001, she was with Cadabra Design Automation as a Software Engineer and a Senior Manager. In 2008, she joined the Circuit Research Laboratory, Intel Labs, Hillsboro, OR, USA, as a Senior Research Scientist and a Staff Scientist. In 2014, she led the Digital Communications Laboratory as a Senior Staff Scientist and Technical. In October 2016, after her Intel sabbatical, she joined Radio Circuits Technology Laboratory expanded her research into mixed-signal circuits for communication. In November 2018, she joined Intel's Programmable Solutions Group Technology Innovation and Strategy Office as a Senior Staff Scientist. Her research interests include field-programmable gate array (FPGA) and chiplet co-packaging, smart chiplets leveraging machine learning and artificial intelligence, low-power digital CMOS design, circuits and systems for advanced wireless communication, wireless security, cryptography, signal/image processing, and design of intelligently adaptive radio systems. She has published over 40 articles and has filed 22 patents. Her research focuses on distributed/non-distributed massive multiple-input–multiple-output (MIMO) circuits and architectures, high-frequency wireless control for quantum computers, adaptive and deep learning-based architectures and systems for next-generation intelligent wireless systems, cryogenic CMOS circuits, and 2-D/3-D multi-die heterogeneous integration.

Dr. Sheikh has received multiple academic/industry/publication awards. She received the Chancellor's Medal for her B.Eng. degree.



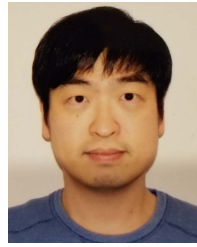
Esdras Juarez-Hernandez (Member, IEEE) was born in Puebla, Mexico. He received the B.S. degree in electronics from the Benemérita Universidad Autónoma de Puebla (BUAP), Puebla, and the M.S. degree in electronics from the Instituto Nacional de Astrofísica, Óptica y Electrónica (INAOE), Puebla.

From 2004 to 2015, he was a Senior Analog Designer with Freescale Semiconductor, working on the design of high-speed and low jitter circuits for SerDes applications. In 2015, he joined the High-Speed IO Electrical Validation Group, Intel Corporation, Hillsboro, OR, USA, where he was involved in the electrical validation of Intel processors. Since 2017, he has been with Intel Labs Silicon Technology Prototyping Laboratory, Guadalajara, Mexico, where he is currently an SoC Designer. He has authored or coauthored over 15 publications.



Brando Perez Esparza (Member, IEEE) received the B.S. degree in electrical engineering from the Instituto Tecnológico y de Estudios Superiores de Occidente, Tlaquepaque, Mexico, and the Semiconductor Specialization degree from the Centro de Investigación y de Estudios Avanzados del IPN, Guadalajara, Mexico.

He currently leads the Silicon and Systems Prototyping Laboratory, Silicon Prototyping Team, Intel Corporation, Guadalajara, Mexico. His research interests include VLSI design with a particular interest in low-power design implementations.



Sungwon Kim (Member, IEEE) received the Ph.D. degree in inter-college programs in materials from Pennsylvania State University, State College, PA, USA, in 2003, with a focus on optical, electrical, and mechanical properties of ferroelectric materials.

He is currently with the Compact Device Modeling Group, Intel Corporation, Hillsboro, OR, USA. His research interest includes noise and RF compact device modeling.



Huzaifa Rampurawala (Member, IEEE) received the B.S. degree in electronics engineering from Mumbai University, Mumbai, India, the M.S. degree from Toledo University, Toledo, OH, USA, and the M.B.A. degree from Pennsylvania State University, State College, PA, USA.

He is currently a Micro-architect for prototyping lab with Intel Labs, Intel Corporation, Hillsboro, OR, USA.



Hyung-Jin Lee (Member, IEEE) received the B.S. degree in electrical engineering from Hanyang University, Seoul, South Korea, in 2000, and the M.S. and Ph.D. degrees in electrical engineering from Virginia Tech, Blacksburg, VA, USA, in 2003 and 2006, respectively.

In 2006, he joined Intel, Hillsboro, OR, USA, where he has been leading RF optimized process enablement and RFIC topology development optimized for Intel process technology. He is currently a Principal Engineer and the Group Lead of the Specialized Integrated Circuit Technology (SiCT) Group, Intel. He is also directing the Intel-University Research Shuttle Program to support advanced academic research activities worldwide. He is focusing on process solutions for next-generation high-frequency devices and RF/analog and mixed-signal circuit design with advanced CMOS process technology.



Brent R. Carlton (Member, IEEE) received the B.S. and M.S. degrees in electrical engineering from Brigham Young University, Provo, UT, USA, in 2003.

Since 2002, he has been with Intel Labs, Hillsboro, OR, USA, researching wireless circuits and systems. His expertise includes RF, analog, and mixed-signal circuits, including delta-sigma analog-to-digital conversion and system-level mixed-signal verification, validation, and design automation. He currently manages the Low Power Wireless Research Team, where he is investigating circuits and wireless systems, including frequency synthesis, radio receiver/transmitter, and high-speed data converters.



Amir Sammak received the Ph.D. degree in electrical components, technology and materials (ECTM) from the Delft University of Technology, Delft, The Netherlands, in 2012.

In 2015, he started a post-doctoral fellowship at QuTech. In 2017, he joined TNO, Delft, where he is currently working with the Quantum Technology (QT) Department. As an Electronics Engineer/Device Physicist, he pursues research toward semiconductor material and fabrication process developments, with the particular focus on heterogenous integration of silicon and germanium, using chemical vapor deposition (CVD) techniques. He currently investigates the development of various SiGe heterostructures as potential platforms for fabrication of CMOS-compatible silicon and germanium spin qubits and provides these materials for various quantum research groups within QuTech.



Surej Ravikumar (Member, IEEE) received the B.Tech. degree in electronics and communications engineering from Amrita Vishwa Vidyapeetham, Coimbatore, India, in 2011, and the M.S. degree in electrical engineering from Arizona State University, Tempe, AZ, USA, in 2014.

In 2014, he joined Intel Labs, Hillsboro, OR, USA, as a Component Design Engineer designing yield tracking circuits. Since 2016, he has worked as an RF/Analog Design Engineer with Intel Corporation. His expertise and research interests are in the area of RF device engineering and characterization, and millimeter-wave circuit design.



Giordano Scappucci received the M.Sc. degree from the Sapienza University of Rome, Rome, Italy, in 2000, and the Ph.D. degree from Roma Tre University, Rome, in 2004.

He has 20 years of experience in semiconductor materials for quantum technologies. During his M.Sc. and Ph.D. degrees, he made state-of-the-art high-mobility Si/SiGe heterostructures and nanowire transistors. Key achievements during his time at the Centre for Quantum Computing Technology, Sydney, NSW, Australia, include the development of atomic-scale donor-based device technology in silicon and germanium. At QuTech/TU Delft, Delft, The Netherlands, he leads the development of materials for spin-based quantum computing and is a Principal Investigator within the QuTech/Intel partnership to accelerate quantum computing in silicon. He has published over 50 journal articles—including publications in top-tier journals Nature and Science—and has given over 40 invited talks at international conferences, universities, research institutes, and industry.



Carlos Nieva (Member, IEEE) received the B.S. degree in electrical engineering from the Instituto Tecnológico y de Estudios Superiores de Monterrey (ITESM), Monterrey, Mexico, in 1998, and the M.S. degree in electrical engineering from New Mexico State University, Las Cruces, NM, USA, in 2003.

In 1998, he joined Scientific Atlanta, Ciudad Juárez, Mexico. In 2002, he joined Intel Corporation, Hillsboro, OR, USA, where he has held several roles in the area of silicon technology development. He has expertise in the areas of silicon testing and characterization, CAD, and system-on-chip (SoC) design.



Menno Veldhorst is currently the Group Leader with QuTech, Delft University of Technology, Delft, The Netherlands. During his post-doctoral research at the University of New South Wales (UNSW), Sydney, NSW, Australia, he demonstrated for the first time single-qubit rotations and two-qubit logic in silicon, acknowledged as one of the top ten breakthroughs in 2015 by the MIT Technology Review. His group at QuTech demonstrated the first universal quantum gate set in germanium and realized quantum operations above 1 K with silicon qubits.

Mr. Veldhorst received the Nicholas Kurti Science Prize by Oxford Instruments in 2019 for his work on silicon and germanium. For his contributions in the field of quantum information, he is listed as a visionary in MIT Technology Review's prestigious list of 35 innovators under 35.



Lieven M. K. Vandersypen received the M.Sc. degree in mechanical engineering from KU Leuven, Leuven, Belgium, in 1996, and the M.Sc. degree in electrical engineering and the Ph.D. degree from Stanford University, Stanford, CA, USA, in 1997 and 2001, respectively, for the first experiments in quantum computing, making use of nuclear spins in molecules as quantum bits.

He then moved to Delft as a postdoc, where he established his own group in 2003 and pioneered the control and read-out of single-electron spins in

semiconductor quantum dot arrays. With his QuTech colleagues, he currently focuses on scaling up spin qubits circuits, where exploratory physics goes hand in hand with high-level engineering. He is the Co-Founder of QuTech and the Co-Director of the Kavli Institute of Nanoscience and an Antonie van Leeuwenhoek Professor with the Delft University of Technology, Delft, The Netherlands. In 2015, his group started a close collaboration with Intel, and he took a part-time appointment with Intel Corporation, Hillsboro, OR, USA. His research resulted in more than 140 publications that were cited over 16 000 times. He was a Visiting Fellow with the University of New South Wales (UNSW), Sydney, NSW, Australia, in 2015, and a Visiting Scientist with the Massachusetts Institute of Technology (MIT), Cambridge, MA, USA, in 2010.

Dr. Vandersypen was a member of the "The Young Academy" of the KNAW from 2007 to 2012. He is a member of the Royal Holland Society of Sciences and Humanities (KHMW). He was a recipient of the Nicholas Kurti European Science Prize in 2008 and the IUPAP Young Scientist Prize for Semiconductor Physics in 2008.



Edoardo Charbon (Fellow, IEEE) received the Diploma degree from ETH Zürich, Zürich, Switzerland, in 1988, the M.S. degree from the University of California at San Diego, La Jolla, CA, USA, in 1991, and the Ph.D. degree from the University of California at Berkeley, Berkeley, CA, USA, in 1995, respectively, all in electrical engineering and EECS.

He has consulted with numerous organizations, including Bosch, X-Fabs, Texas Instruments, Maxim, Sony, Agilent, and the Carlyle Group.

He was with Cadence Design Systems from 1995 to 2000, where he was the Architect of the company's initiative on information hiding for intellectual property protection. In 2000, he joined Canesta Inc., as the Chief Architect, where he led the development of wireless 3-D CMOS image sensors. Since 2002, he has been a Faculty Member with the École polytechnique fédérale de Lausanne (EPFL), Lausanne, Switzerland, where has been a Full Professor since 2015. From 2008 to 2016, he was with the Delft University of Technology, Delft, The Netherlands, as the Chair of VLSI design. He has been the driving force behind the creation of deep-submicrometer CMOS SPAD technology, which is mass-produced since 2015 and is present in telemeters, proximity sensors, and medical diagnostics tools. His interests span from 3-D vision, FLIM, FCS, and NIROT to super-resolution microscopy, time-resolved Raman spectroscopy, and cryo-CMOS circuits and systems for quantum computing. He has authored or coauthored over 250 articles and two books. He holds 20 patents.

Dr. Charbon is a Distinguished Visiting Scholar of the W. M. Keck Institute for Space at Caltech and a fellow of the Kavli Institute of Nanoscience Delft.



Stefano Pellerano (Member, IEEE) was born in Bari, Italy, in 1977. He received the Laurea degree (*summa cum laude*) and the Ph.D. degree in electronics engineering from the Politecnico di Milano, Milan, Italy, in 2000 and 2004, respectively.

During his Ph.D. study, his activity was focused on the design of fully integrated low-power frequency synthesizers for WLAN applications. In 2003, he was a Consultant with Agere Systems (former Bell Labs), Allentown, PA, USA. Since 2004, he has been with Intel Labs, Hillsboro, OR, USA. He is currently a Principal Engineer leading the Next Generation Radio Integration Laboratory, where he drives several research activities focused on enabling radio circuit integration in deeply scaled CMOS technologies. His main research contributions include multiple-input-multiple-output (MIMO) transceivers for Wi-Fi, digital phase-locked loops (PLLs), high-efficient digital architectures for polar and outphasing transmitters, millimeter-wave radio transceiver and phased-array systems, and low-power radios. Recently, he is also exploring cryogenic CMOS integrated electronics for qubit control in fault-tolerant scalable quantum computers. He has authored or coauthored more than 40 IEEE conference and journal articles, one book chapter, and more than 15 issued patents.

Dr. Pellerano is currently serving as the Wireless Subcommittee Chair for the IEEE International Solid-State Circuit Conference (ISSCC). He served as the Technical Program Chair and the General Chair for the IEEE Radio Frequency Integrated Circuit (RFIC) Symposium in 2018 and 2019, respectively. He is part of the RFIC Executive Committee.



Masoud Babaie (Member, IEEE) received the Ph.D. degree (*cum laude*) in electrical engineering from the Delft University of Technology, Delft, The Netherlands, in 2016.

In 2006, he joined Kavoshcom Research and Development Group, Tehran, Iran, where he was involved in designing wireless communication systems, where he was the Chief Technology Officer from 2009 to 2011. From 2014 to 2015, he was a Visiting Scholar Researcher with the Berkeley Wireless Research Center, Berkeley, CA, USA. In 2016,

he joined the Delft University of Technology, Delft, The Netherlands, as an Assistant Professor. His research interests include RF/millimeter-wave integrated circuits and systems for wireless communications, and cryogenic electronics for quantum computation.

Dr. Babaie has been a Committee Member of Student Research Preview (SRP) of the IEEE International Solid-State Circuits Conference (ISSCC) since 2017 and a Technical Program Committee of the IEEE European Solid-State Circuits Conference (ESSCIRC) since 2020. He was a co-recipient of the 2015–2016 IEEE Solid-State Circuits Society Pre-Doctoral Achievement Award and the 2019 IEEE ISSCC Best Demo Award. In 2019, he received the Veni Award from the Netherlands Organisation for Scientific Research (NWO).



Fabio Sebastiano (Senior Member, IEEE) received the B.Sc. and M.Sc. degrees (*cum laude*) in electrical engineering from the University of Pisa, Pisa, Italy, in 2003 and 2005, respectively, the M.Sc. degree (*cum laude*) from Sant'Anna School of Advanced Studies, Pisa, in 2006, and the Ph.D. degree from the Delft University of Technology, Delft, The Netherlands, in 2011.

From 2006 to 2013, he was with NXP Semiconductors Research, Eindhoven, The Netherlands, where he conducted research on fully integrated

CMOS frequency references, deep-submicrometer temperature sensors, and area-efficient interfaces for magnetic sensors. In 2013, he joined the Delft University of Technology, where he is currently an Associate Professor. His research has resulted in 11 patents, one book, and over 70 technical publications. His main research interests are cryogenic electronic interfaces, quantum computation, fully integrated frequency references, and electronic interfaces for smart sensors.

Dr. Sebastiano serves on the Technical Program Committee of the IEEE RFIC Symposium. He is serving as an Associate Editor for the IEEE TRANSACTIONS ON VERY LARGE SCALE INTEGRATION SYSTEMS. He was co-recipient of the 2008 ISCAS Best Student Paper Award and the 2017 DATE Best IP Award. He has served as a Distinguished Lecturer for the IEEE Solid-State Circuit Society.