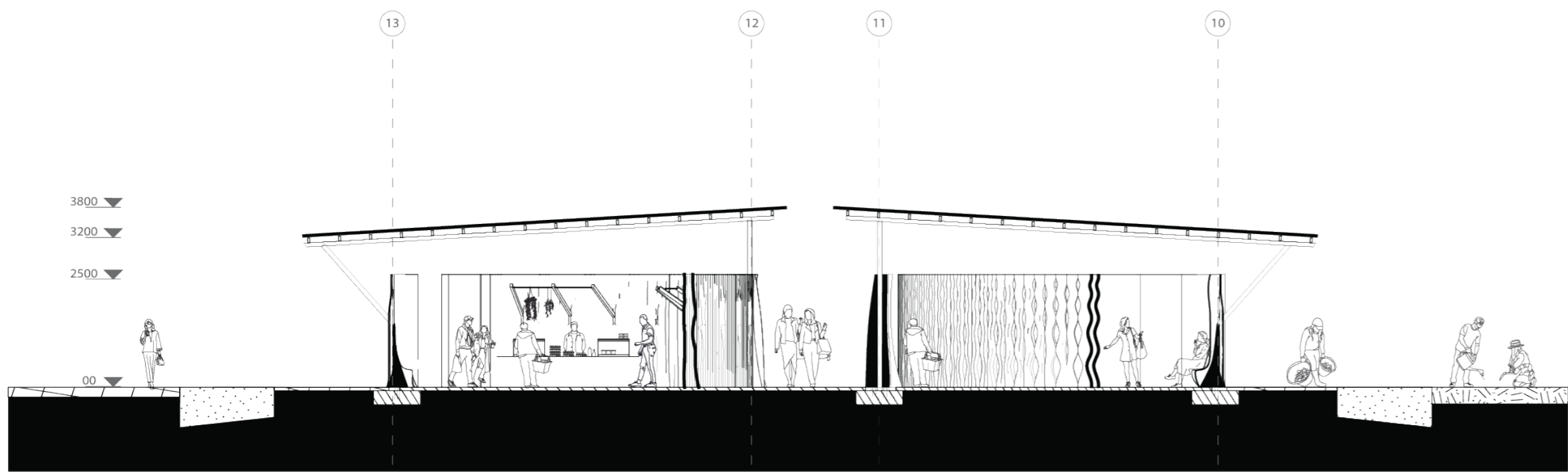
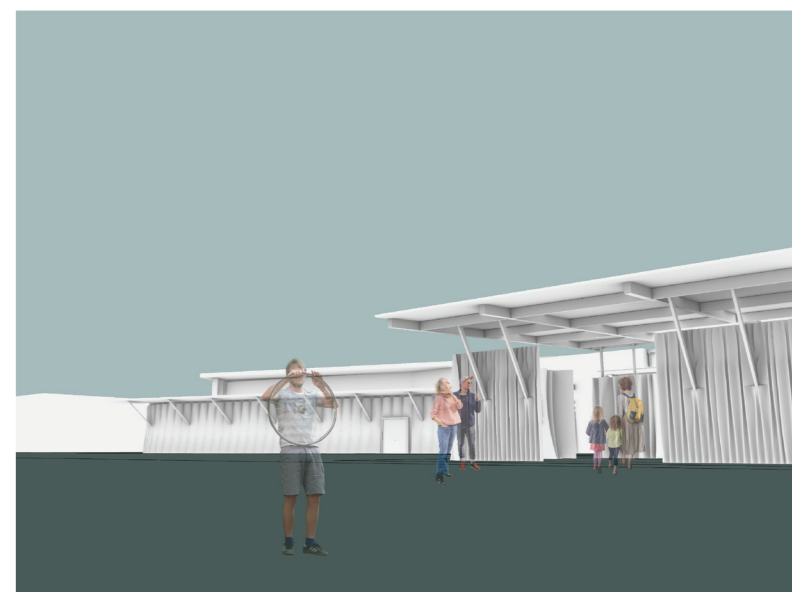
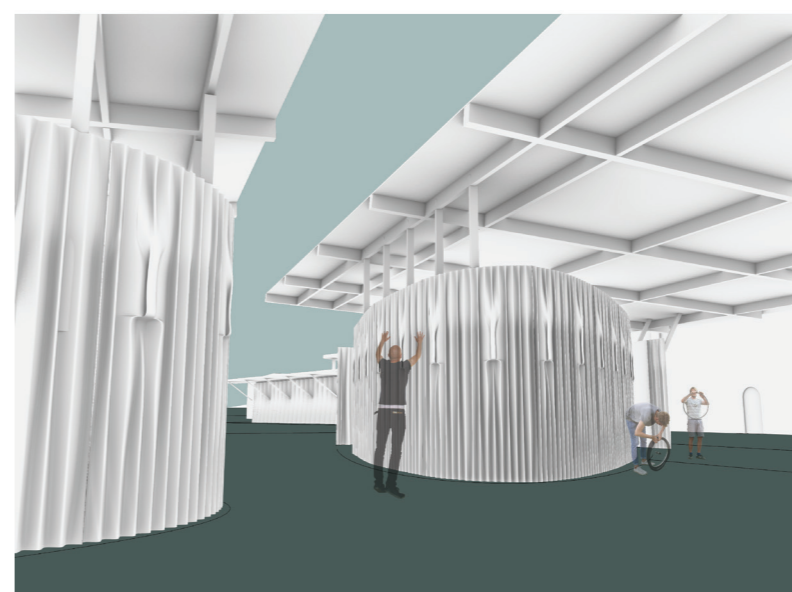
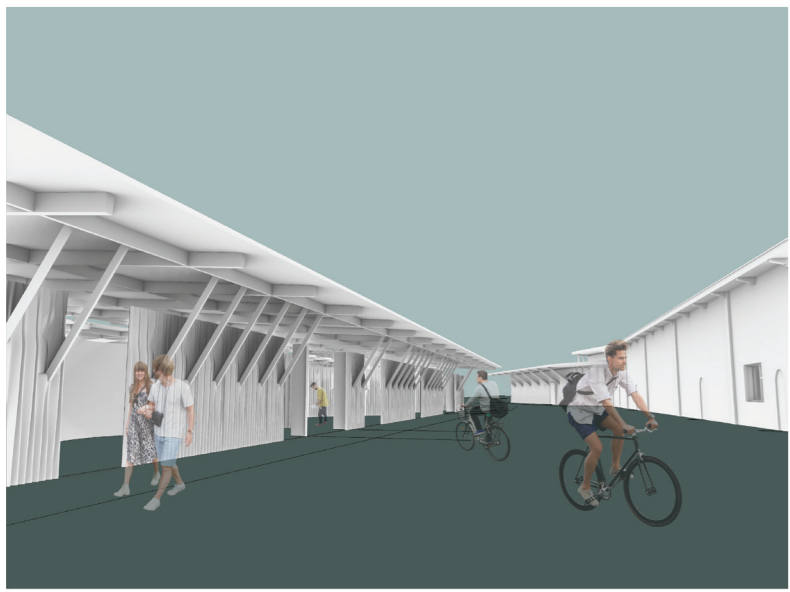
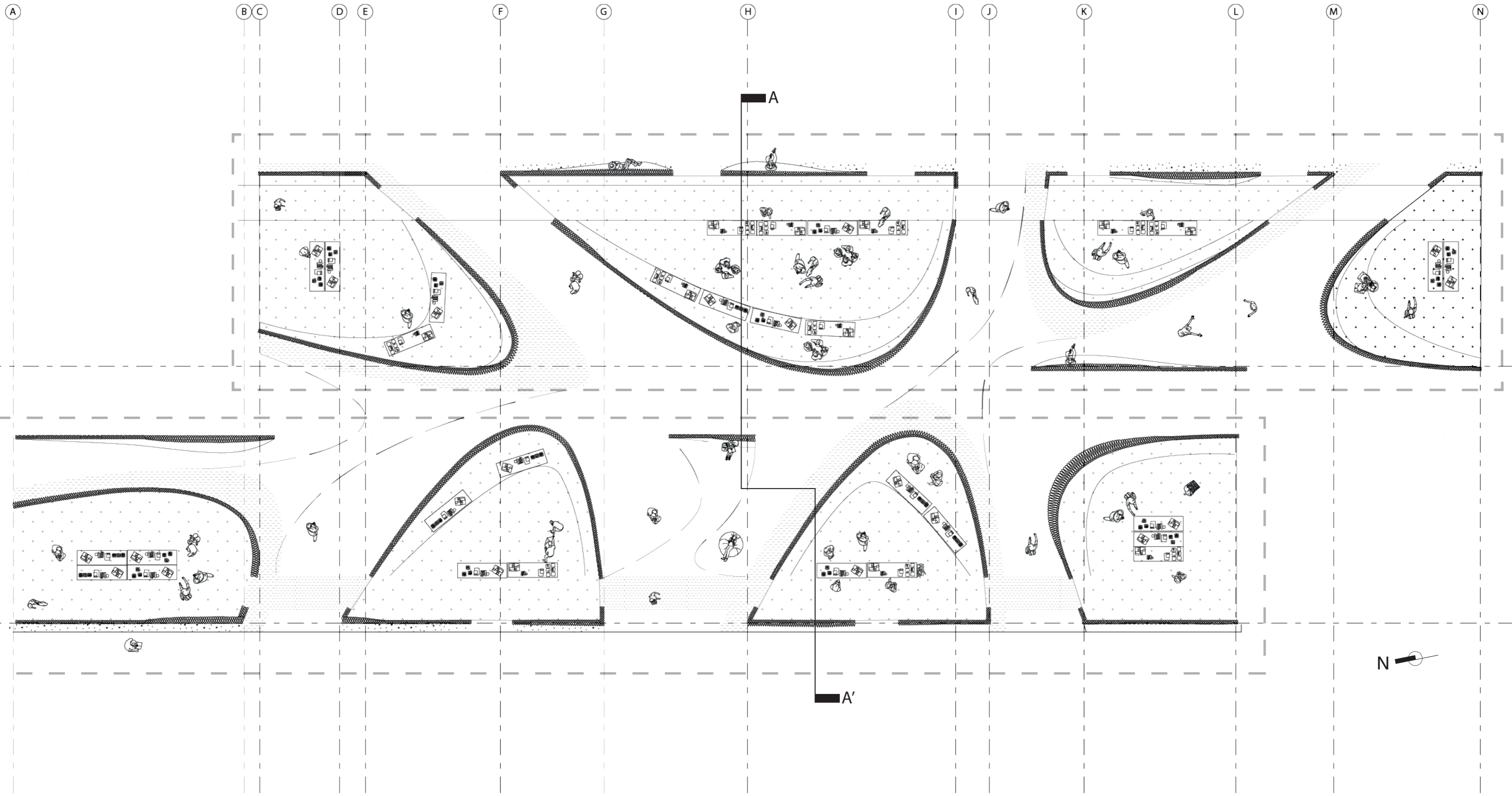
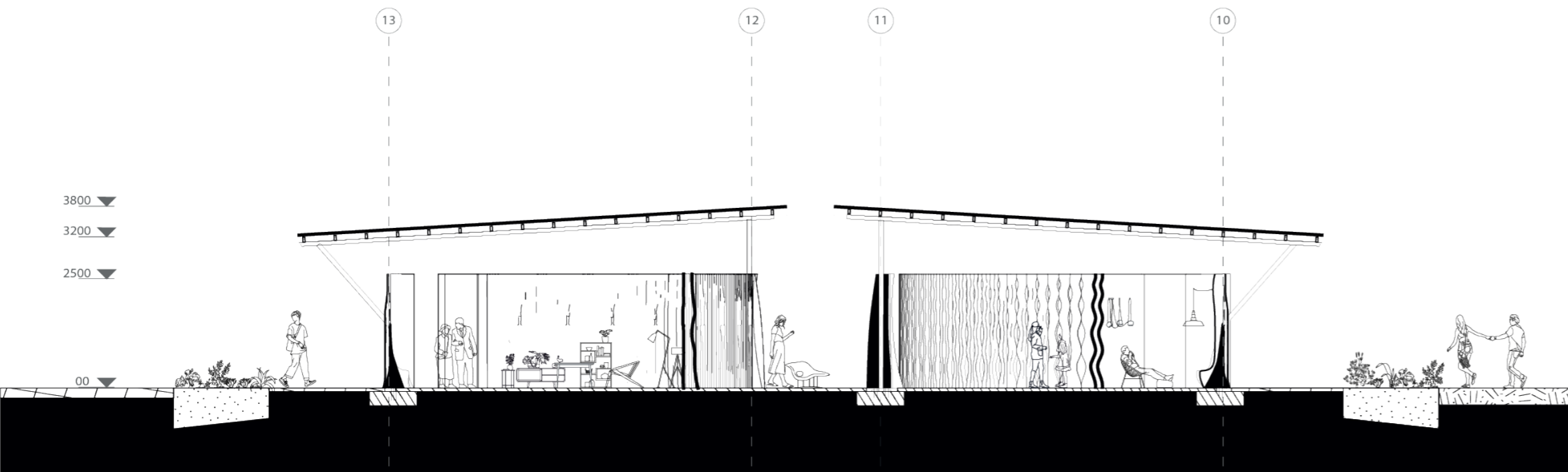


ZWITSAL CIRCULAR PAVILLION

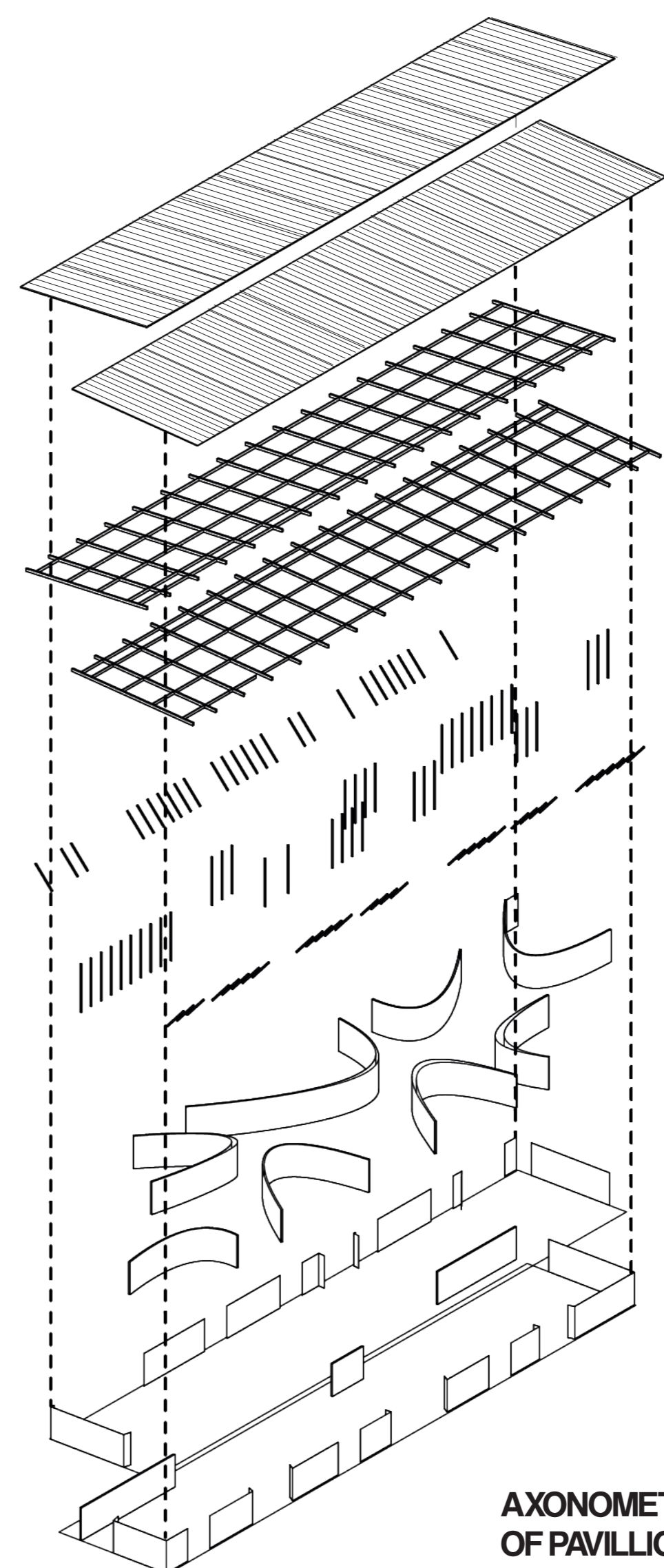
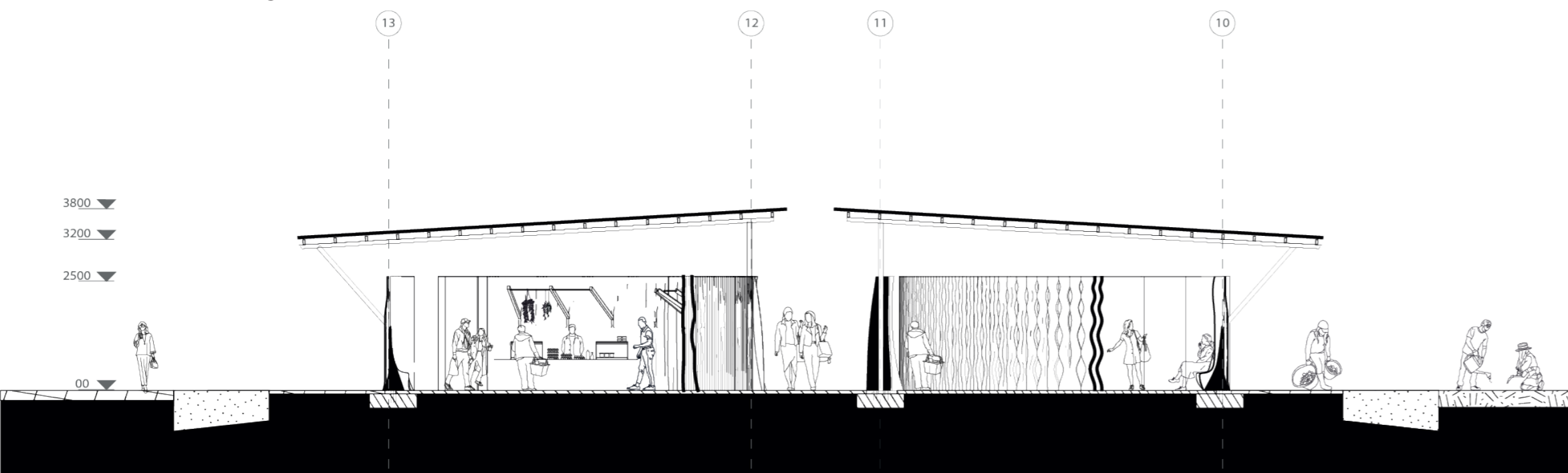
SEEKING A SUCCESSFUL LOCAL CIRCULAR ECONOMY



SECTION A-A' 1:200
Local Produce Food Market



SECTION A-A' 1:200
Circular Waste Design Fair



CORRUGATED ZINC PANELS

STEEL SUBSTRUCTURE

COLUMNS/BEAMS BRACING

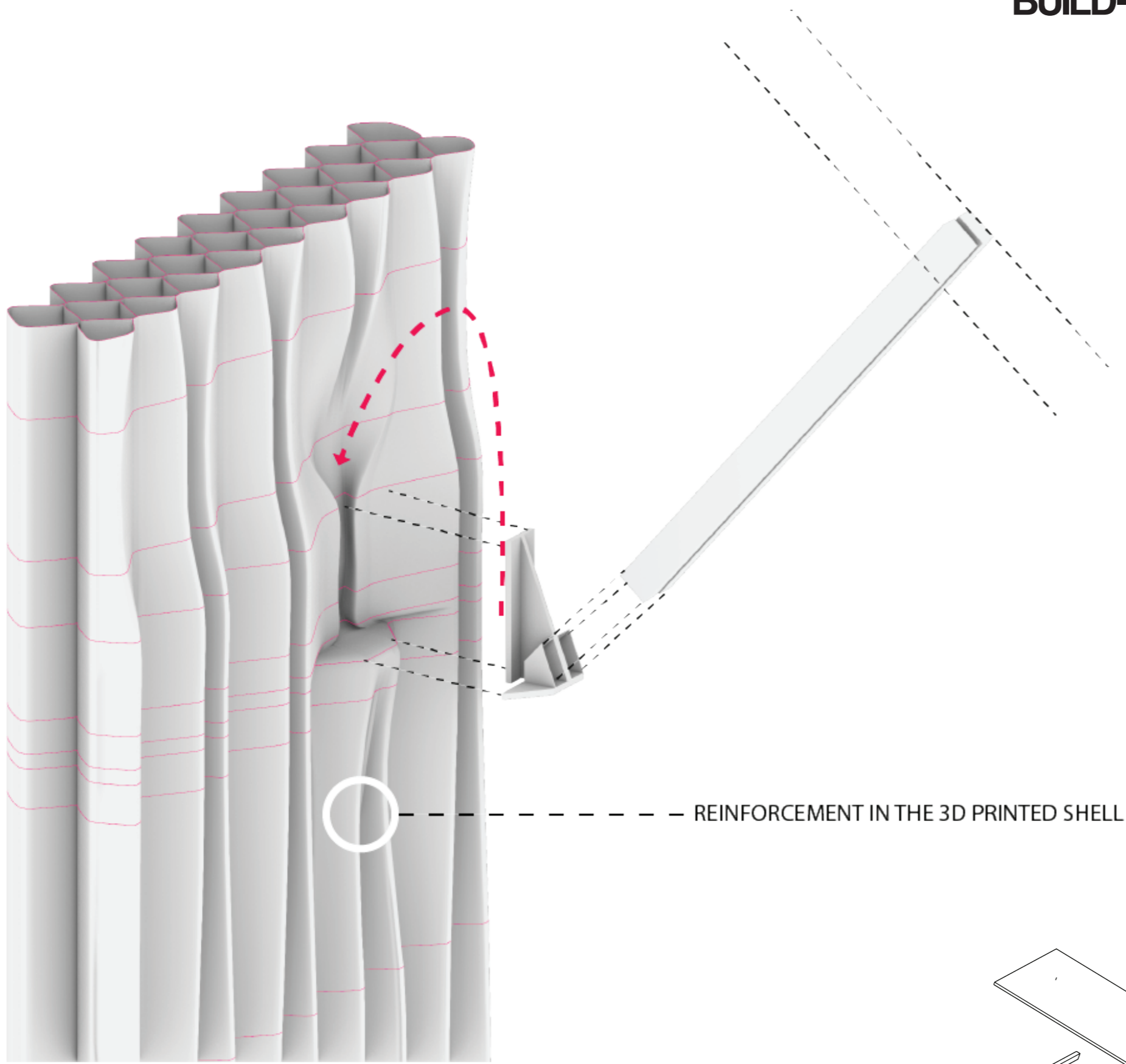
3D PRINTED WASTE STABILITY

MAIN LOAD BEARING WALLS

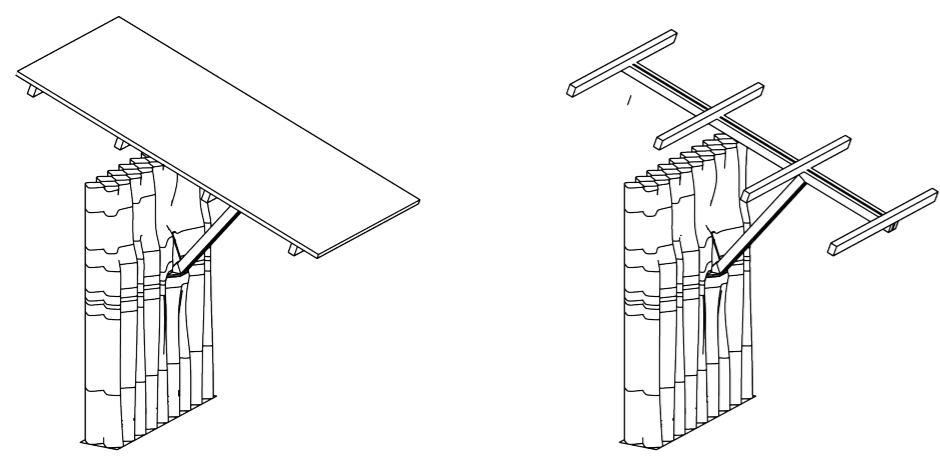
AXONOMETRIC EXPLODED VIEW OF PAVILLION

ZWITSAL CIRCULAR PAVILLION

BUILD-UP AND ASSEMBLY



PAVILLION 3D PRINTED
STRUCTURE-ROOF ASSEMBLY



EXPLODED VIEW OF
STRUCTURE-ROOF ASSEMBLY

