

ARCH

P

CHIARO COME IL

O

P



ARCH

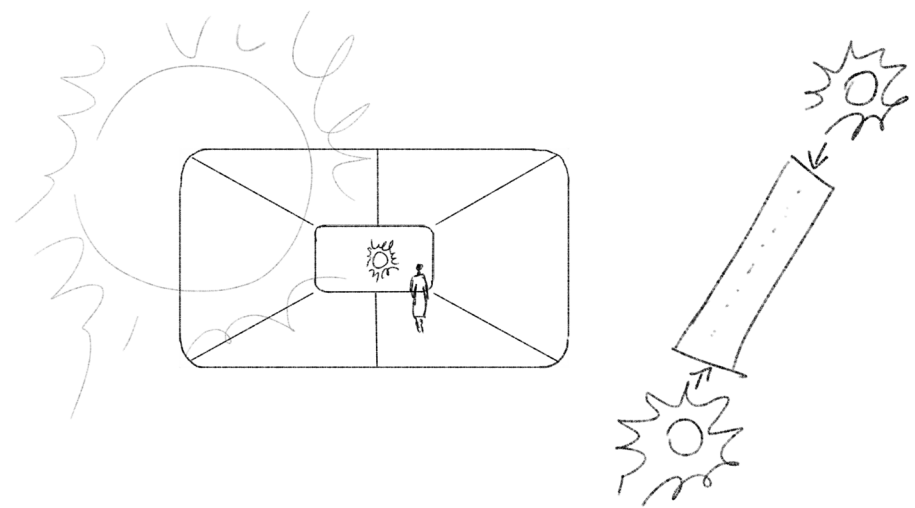
P



SOLE

O

P



CLOUD PAVILION

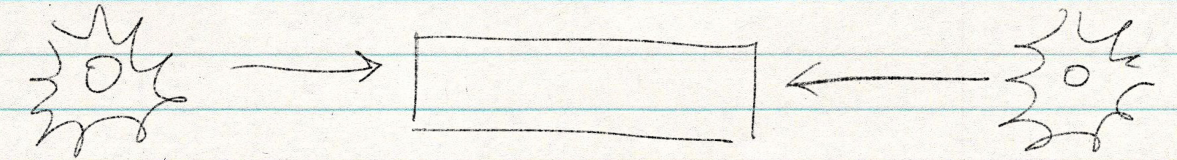
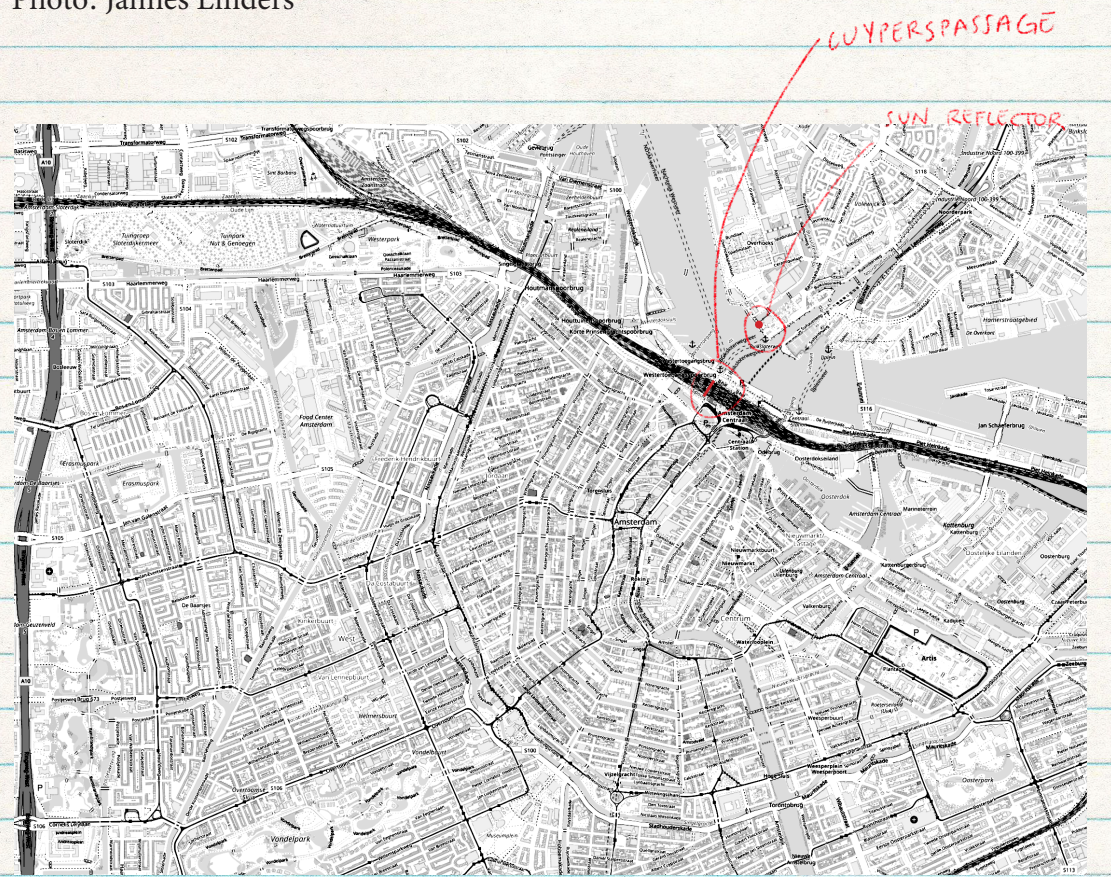
52.382981, 4.902421
 LIGHT REFLECTOR
 IJ PROMENADE, AMSTERDAM

Located by the IJ River in Amsterdam Noord, directly across from the central station, the Sun Reflector is a striking temporary installation. Created for a fashion show at the Cuyperspassage, this installation explores the theme of motion in relation to the sun's daily path.

The Sun Reflector is designed to move and rotate, capturing and reflecting sunlight from the opposite side of the river. This innovative setup allows show guests to experience a unique double sunset, adding a magical touch to the event. As the sun moves, the reflector mirrors its journey, making the natural phenomenon an integral part of the installation's design.



BENTHEM CROUWEL ARCHITECTS - CUYPERSPASSAGE
 Amsterdam, 2016
 Photo: Jannes Linders



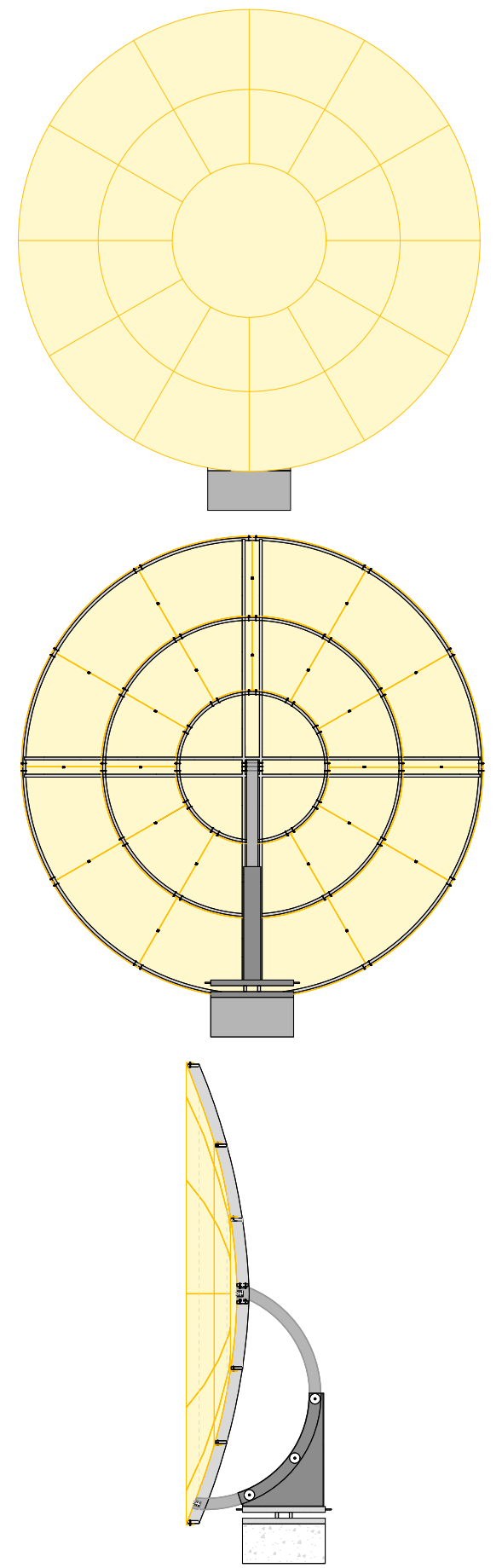




BOTTEGA VENETA FW 23

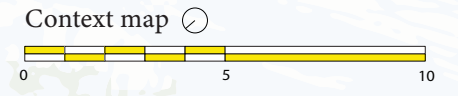
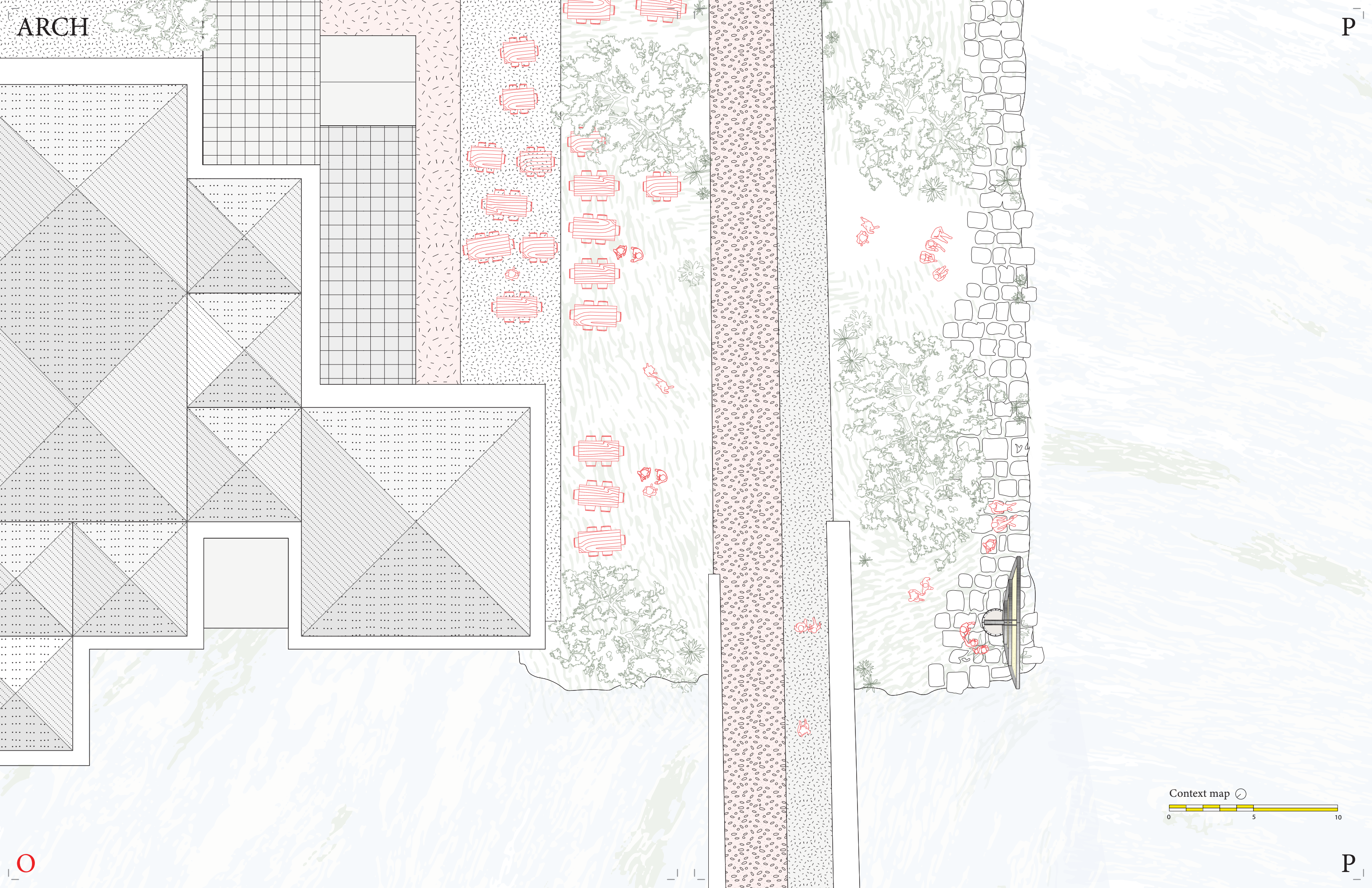


OLAFUR ELIASSON - DOUBLE SUNSET
 Utrecht, 2000 – 1999
 Photo: Hans Wilschut



Elevations and section







MARITIM

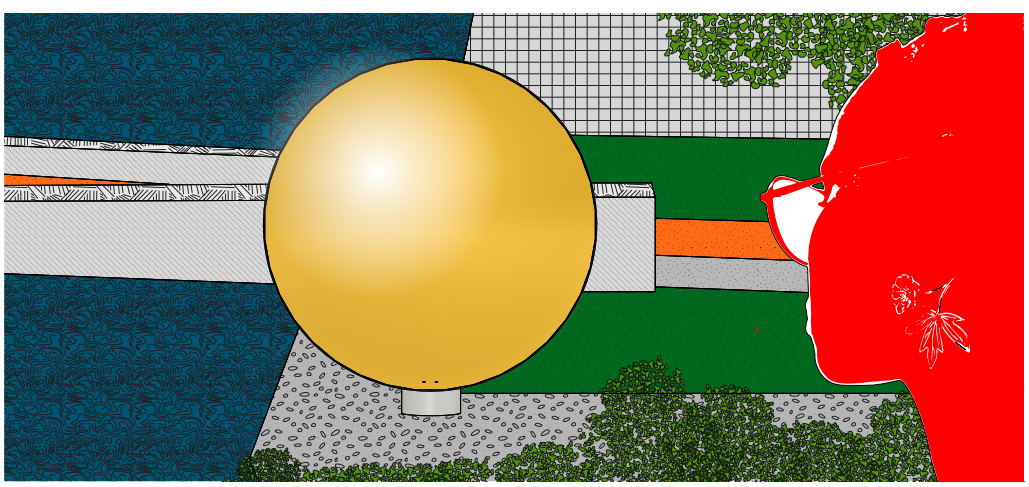
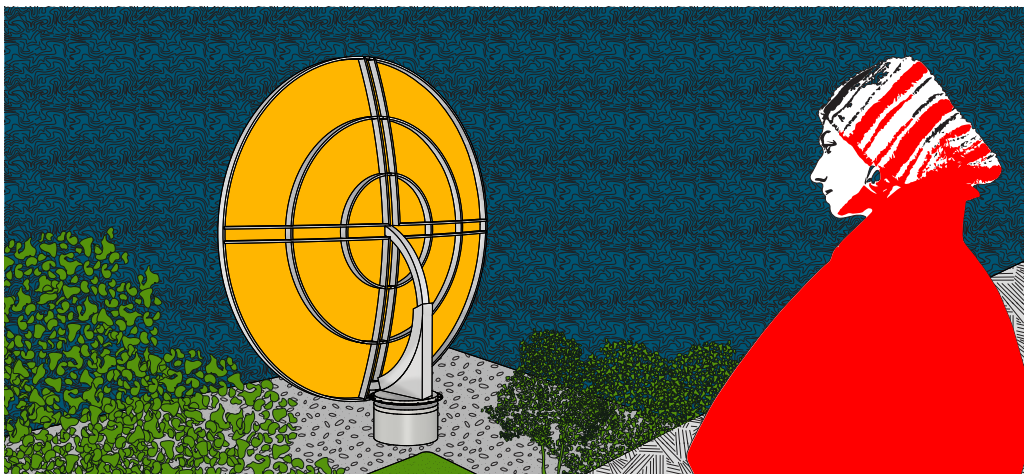
A LAB

LOOKOUT

THE DUTCHER



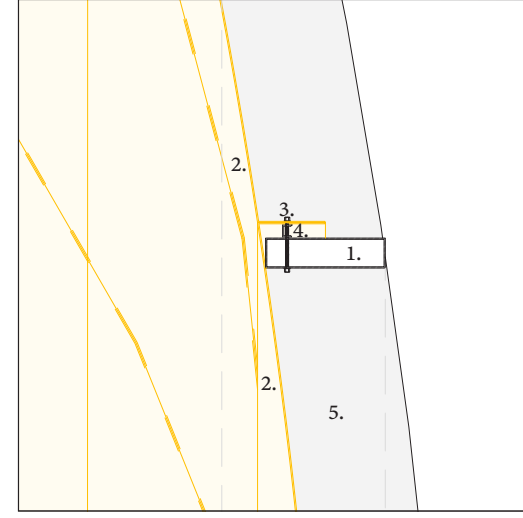
Water front section



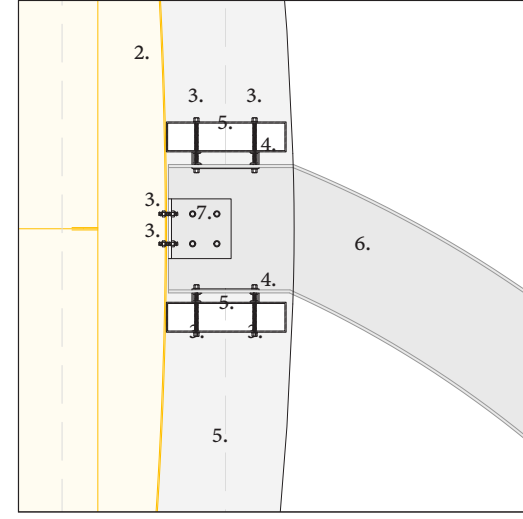


- 1. Circular stainless steel beam
- 2. Golden satin aluminium plate
- 3. Screw
- 4. Screw spacer between aluminium panel dent and circular beam
- 5. Cross-shaped stainless steel beam
- 6. Stainless steel rotating support structure
- 7. Bolted connection plate
- 8. Support stainless steel rail
- 9. Rotating rubber wheel
- 10. Rotating steel base
- 11. Handle

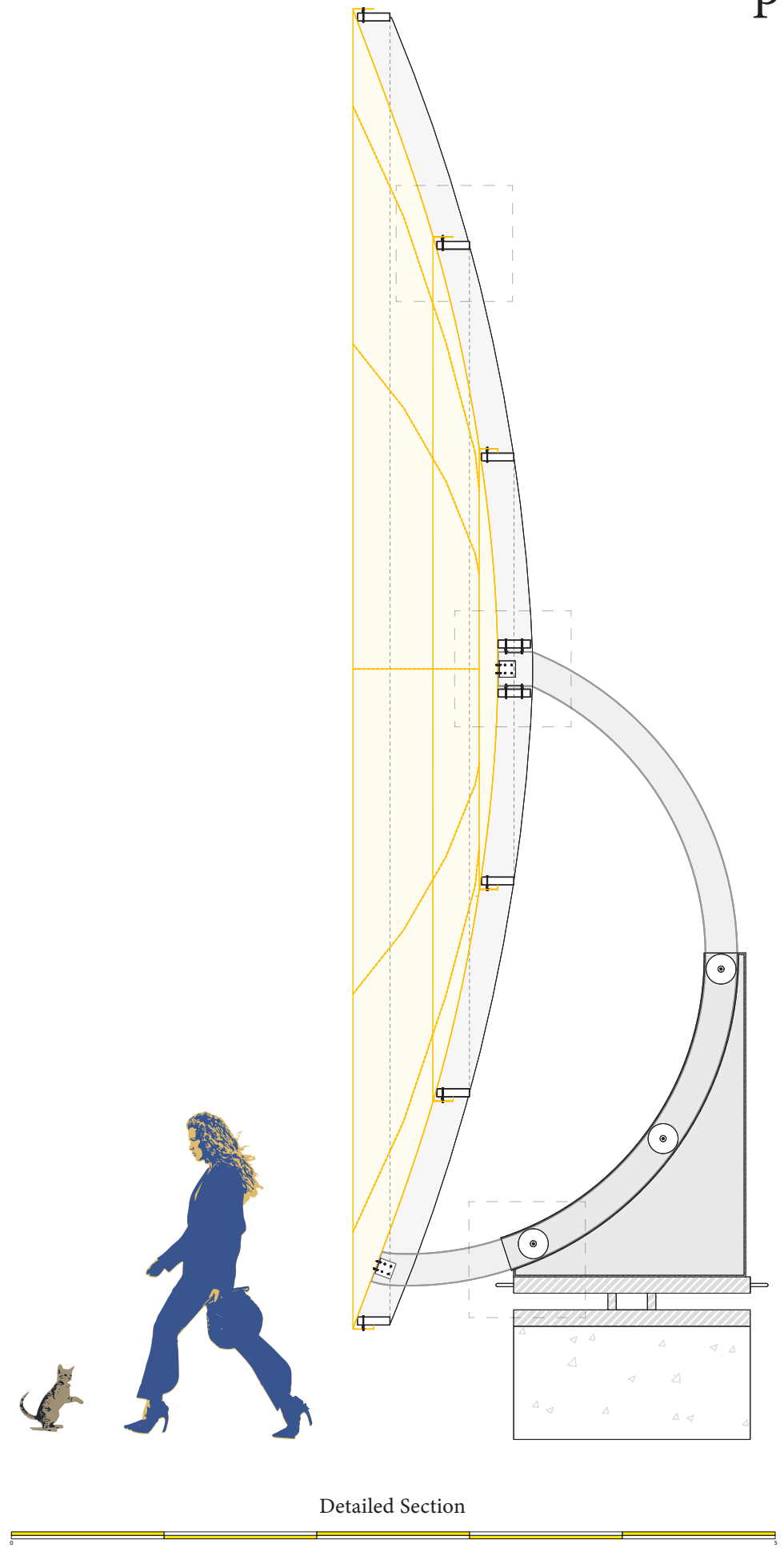
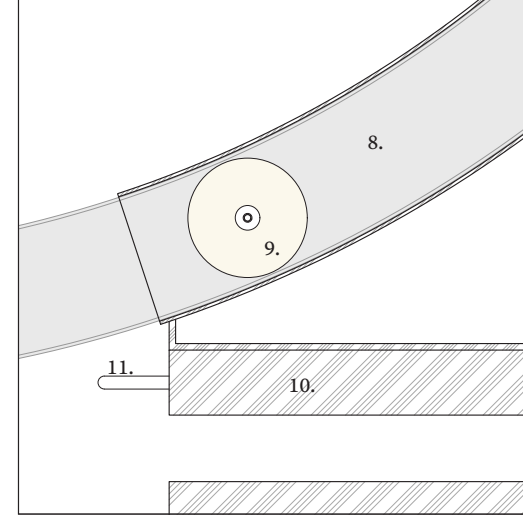
Bolted connection detail between steel structure and sliding beam (Section)

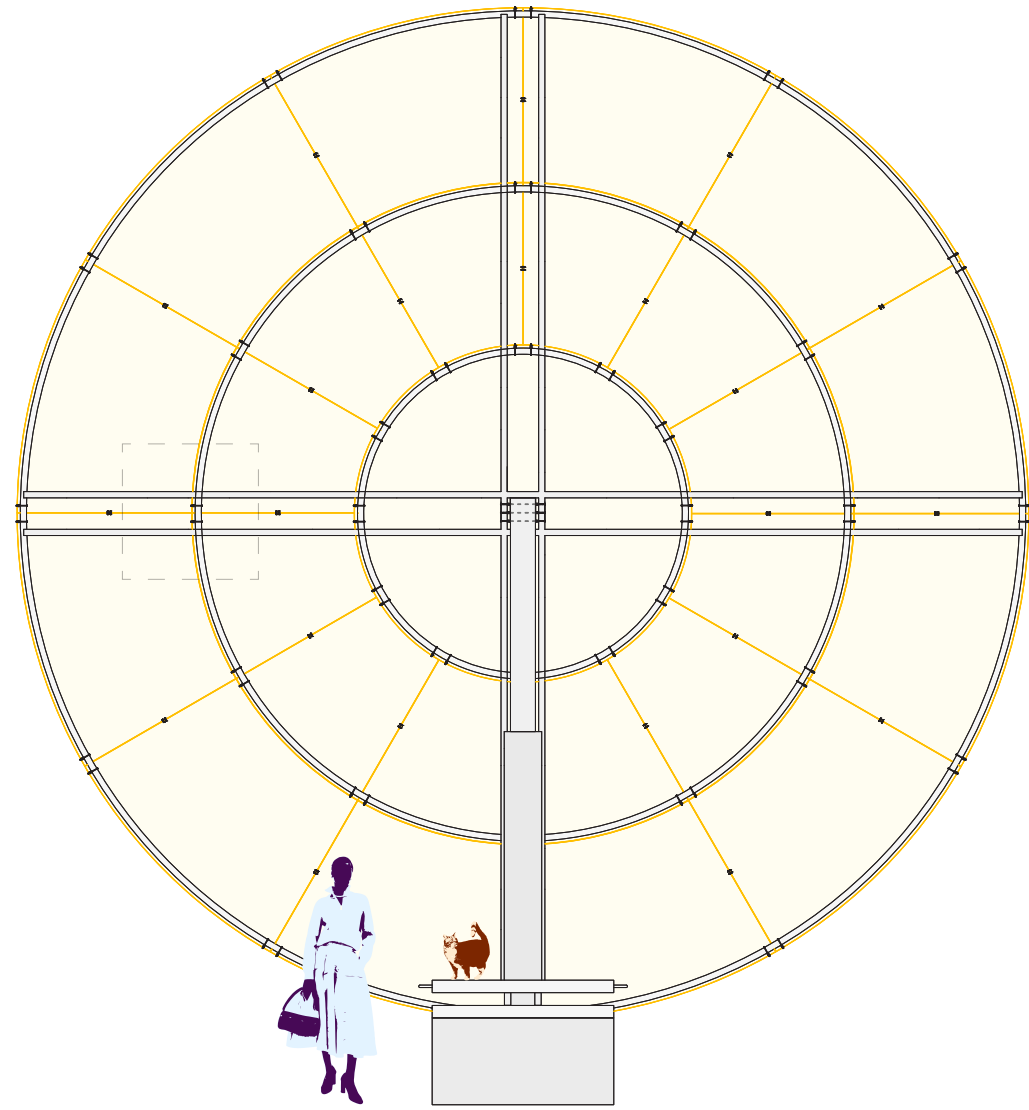


Bolted connection detail between aluminium plates and support steel structure (Section)

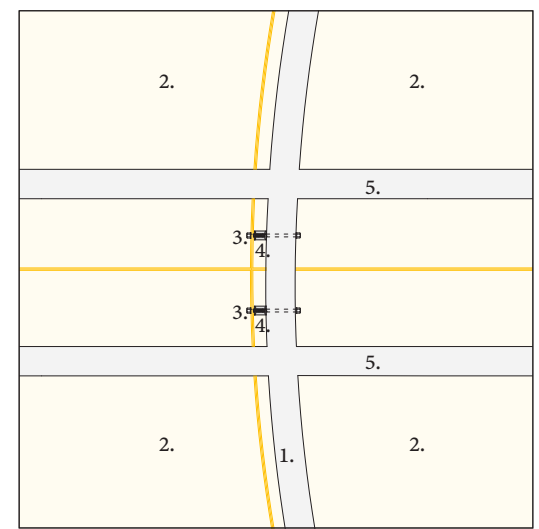


Sliding I-beam detail internal wheels (Section)





Detailed Elevation



Bolted connection detail between aluminium plates and support steel structure (Elevation)





ARCH



P

P

O

