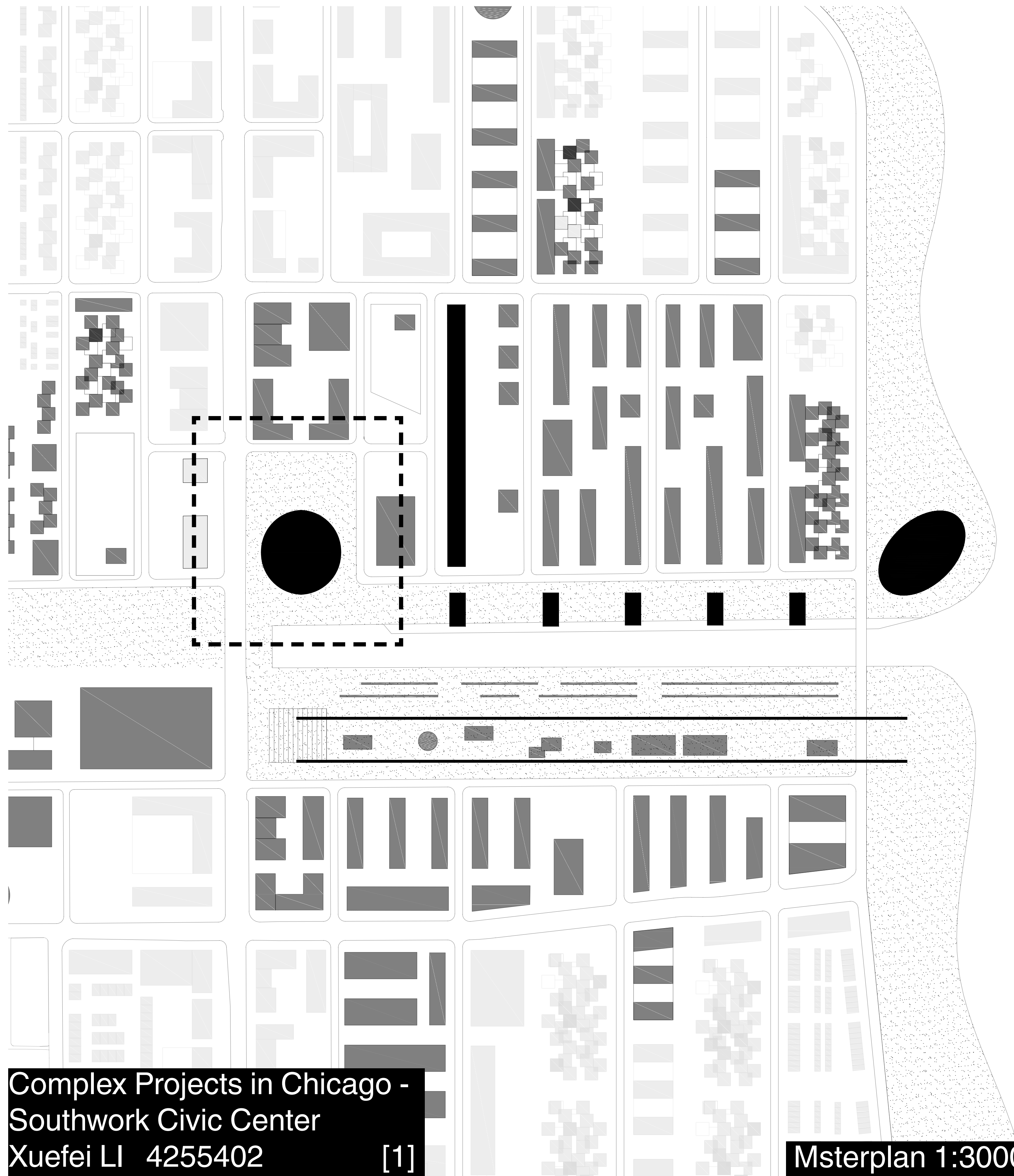
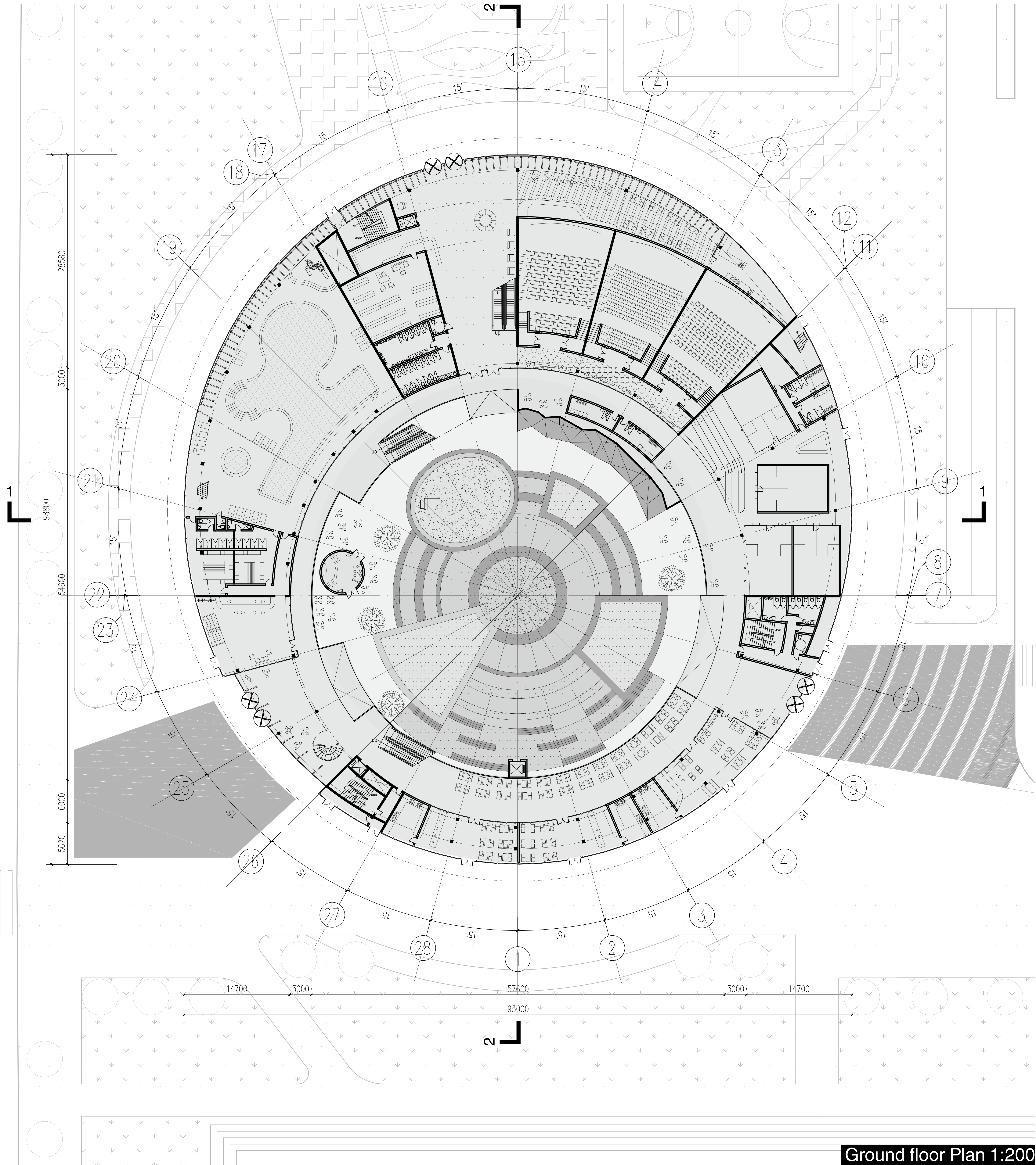


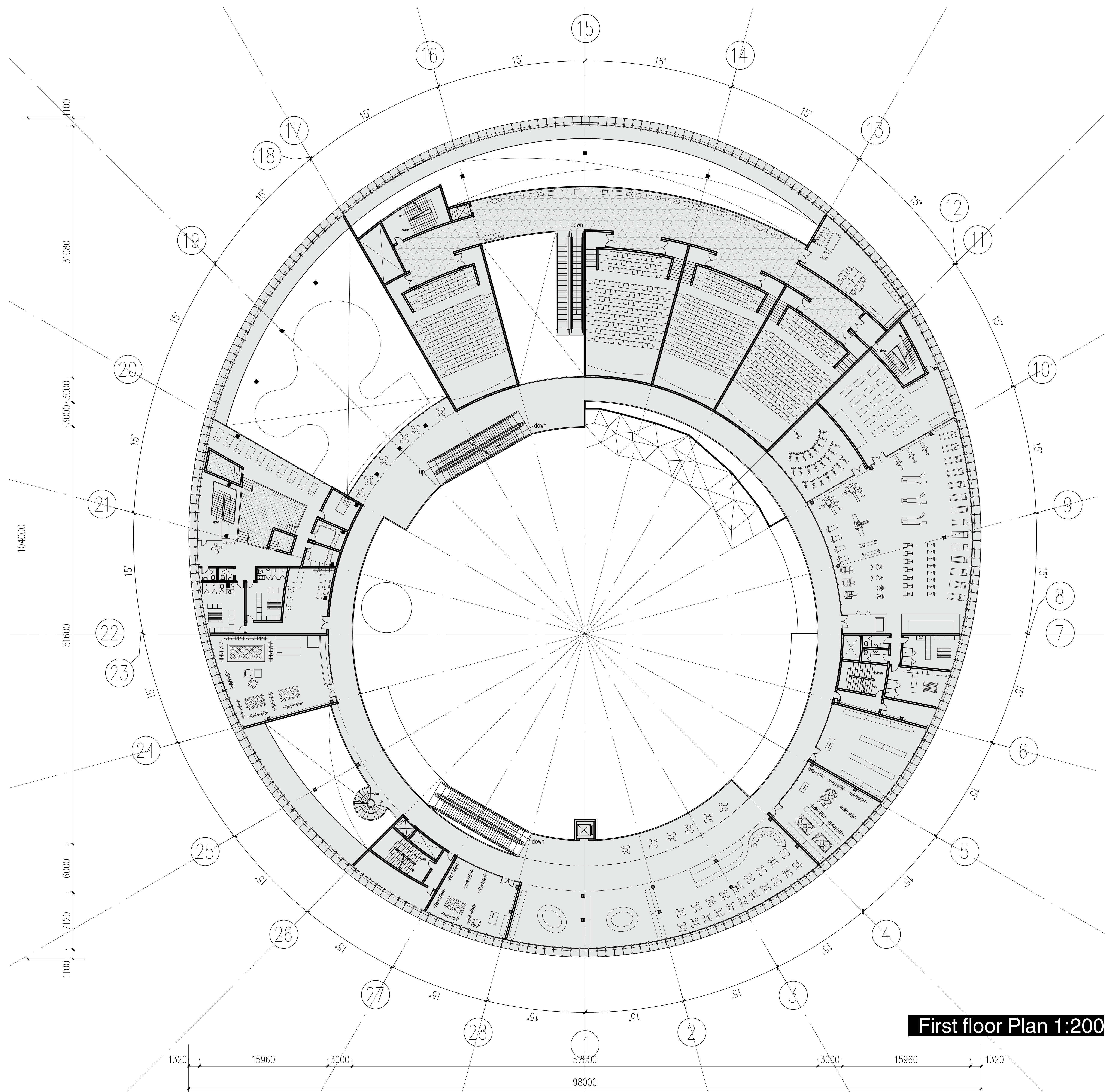
Site plan 1:1000



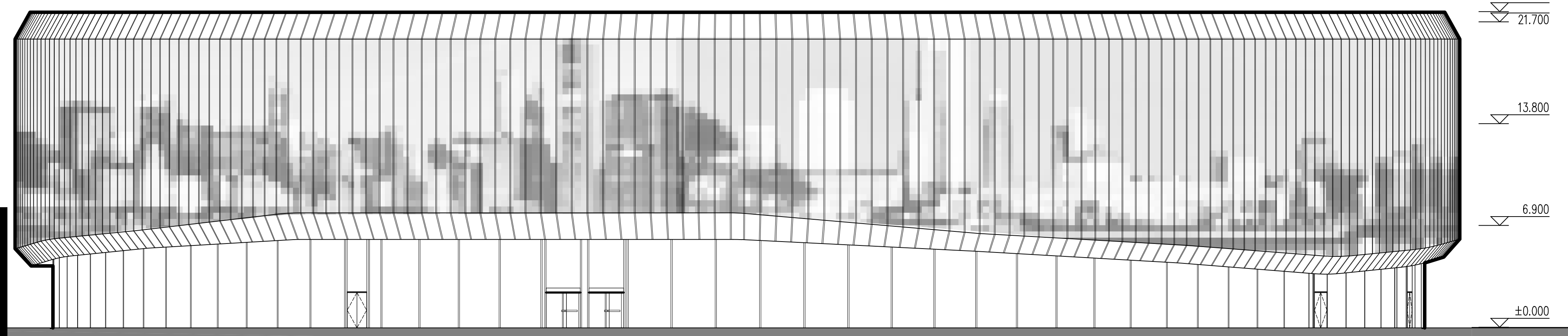
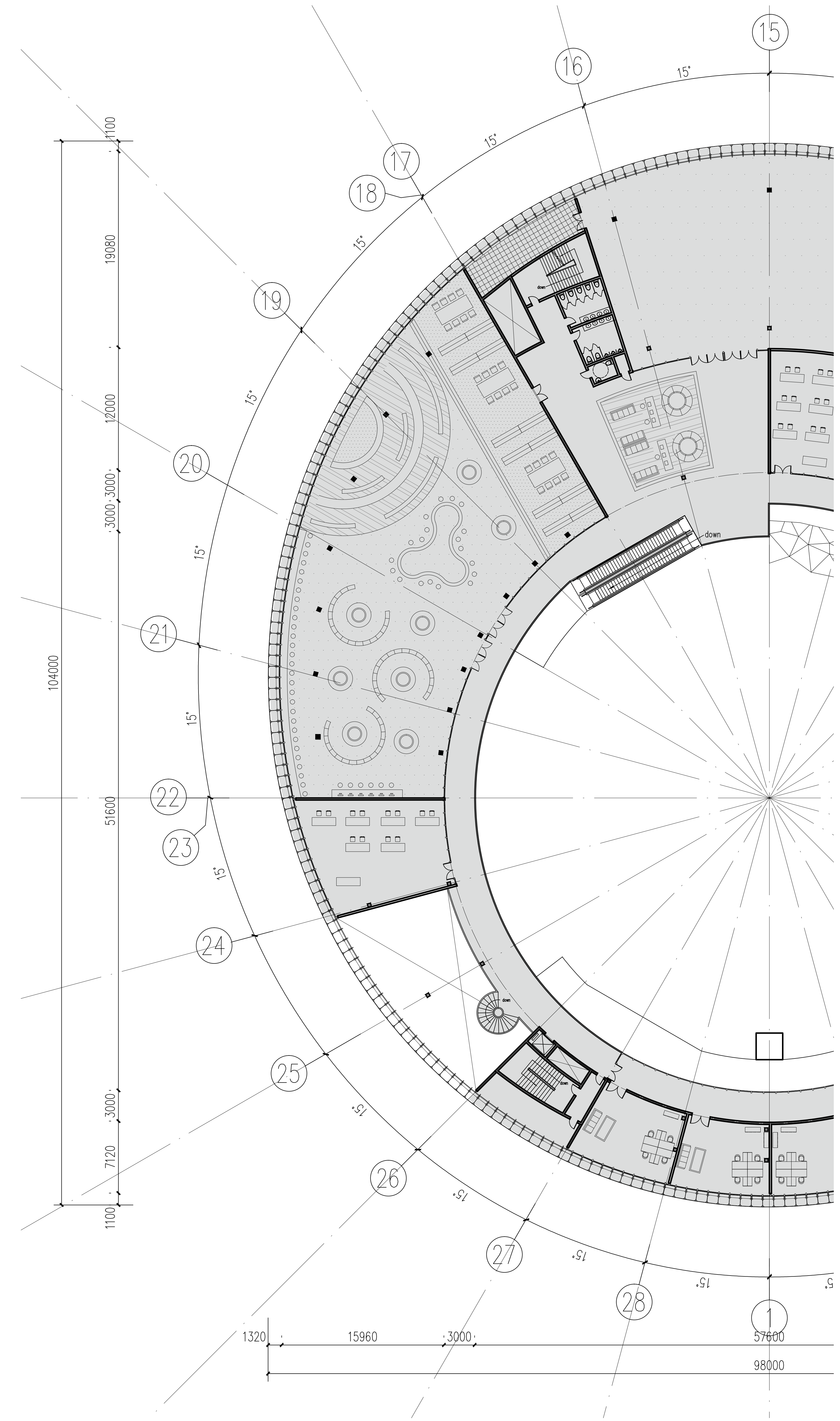
Masterplan 1:3000



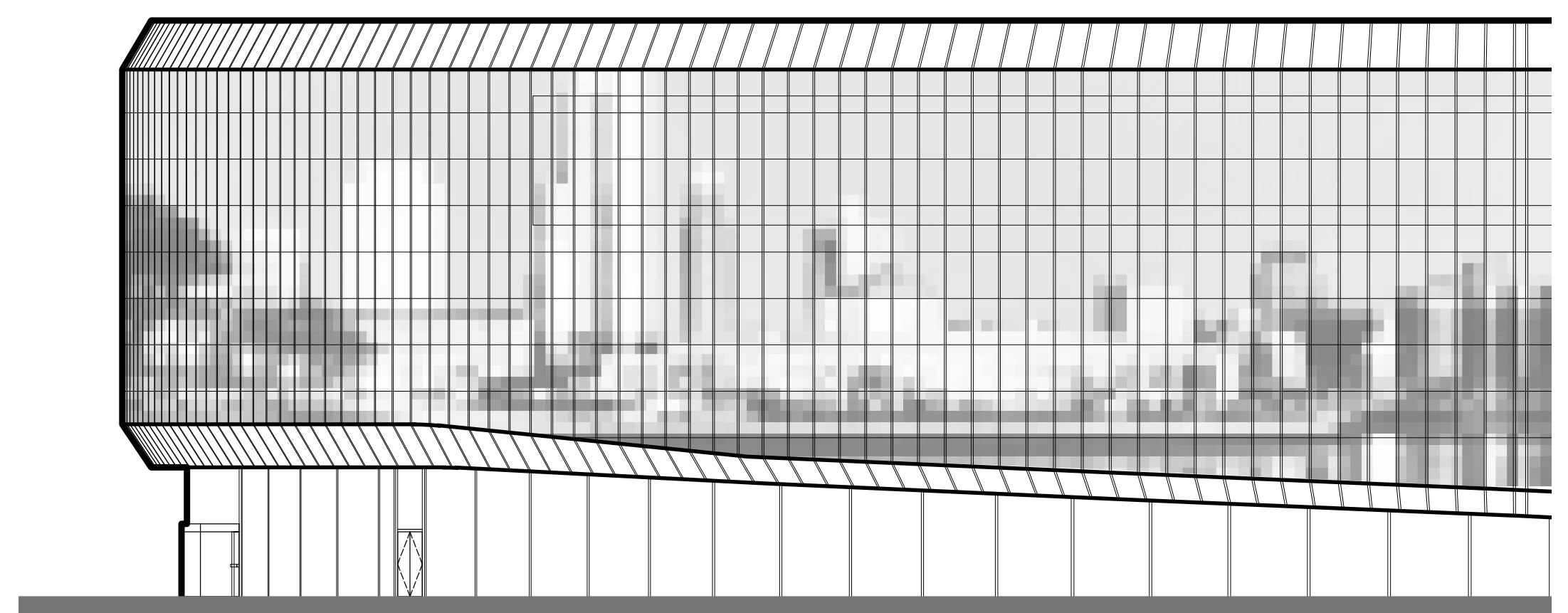
Ground floor Plan 1:200

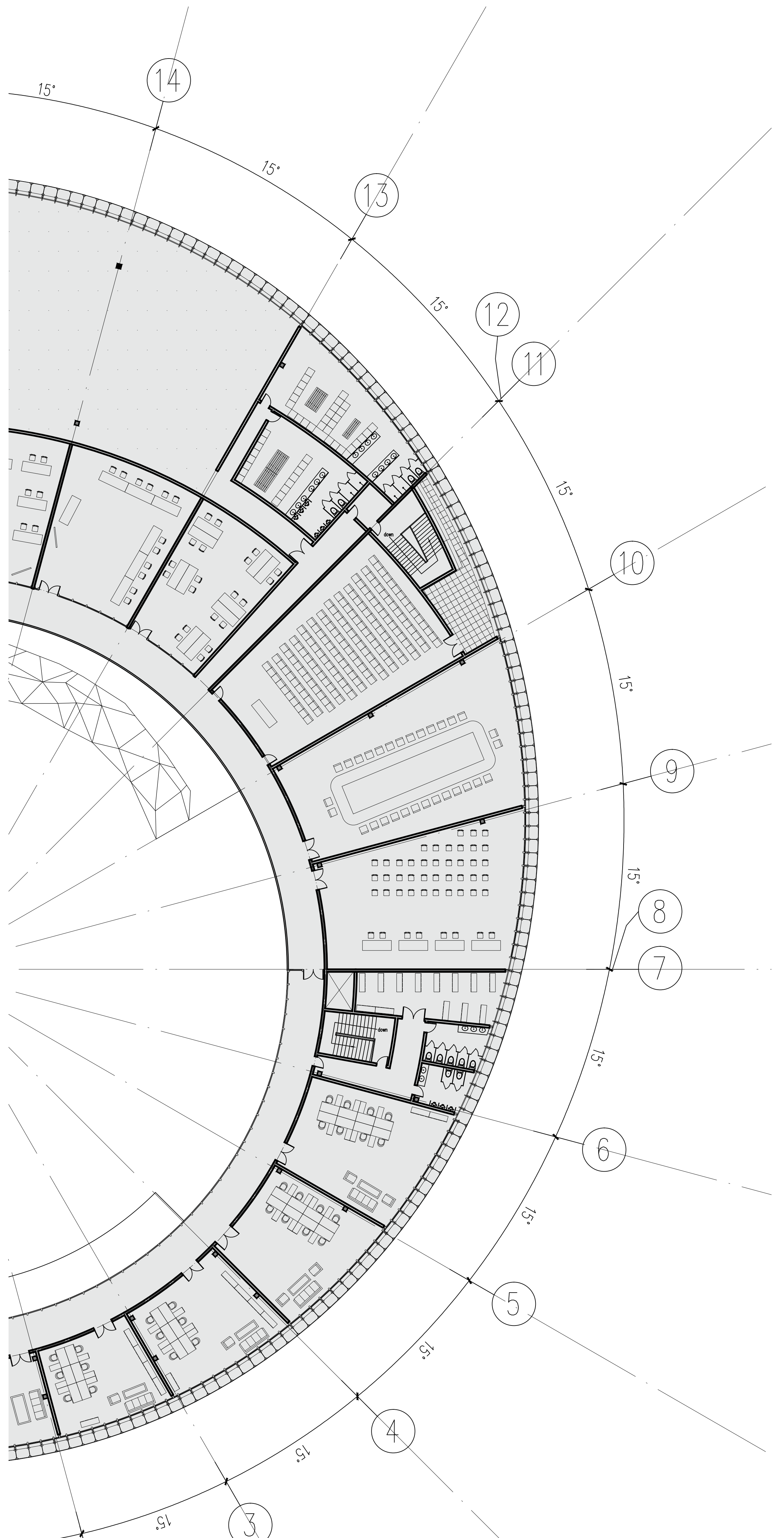


First floor Plan 1:200

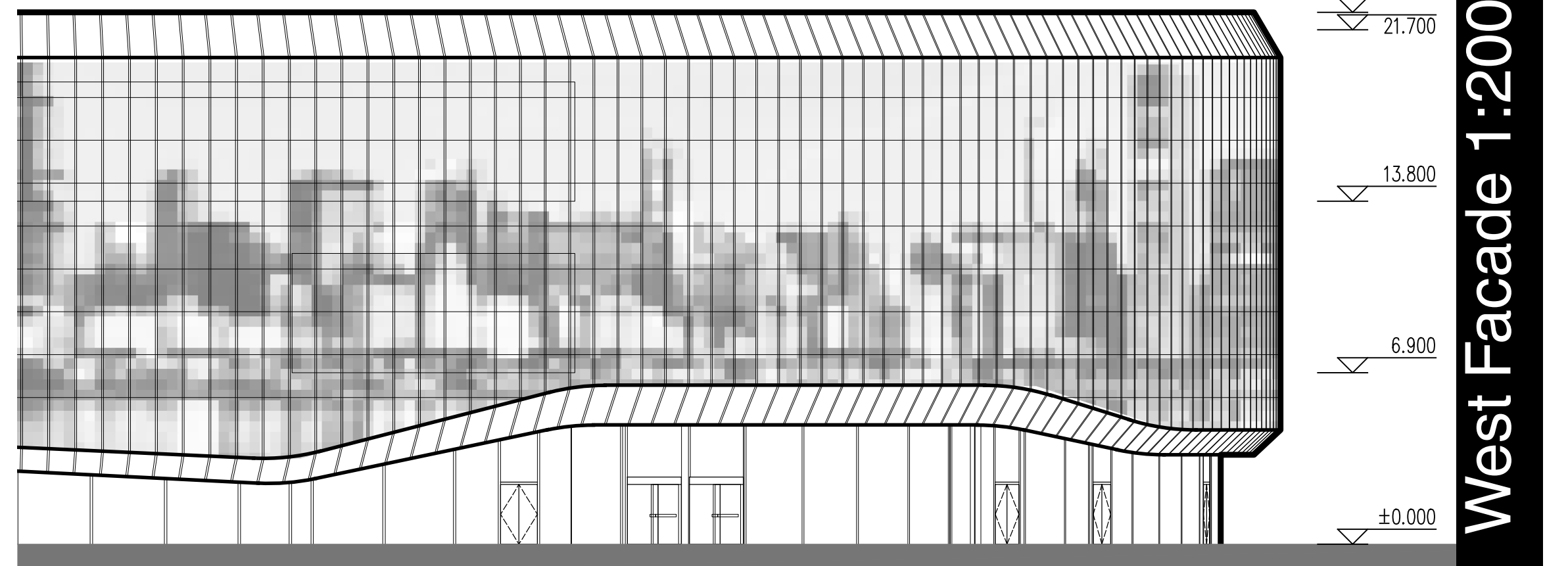


North Facade 1:200

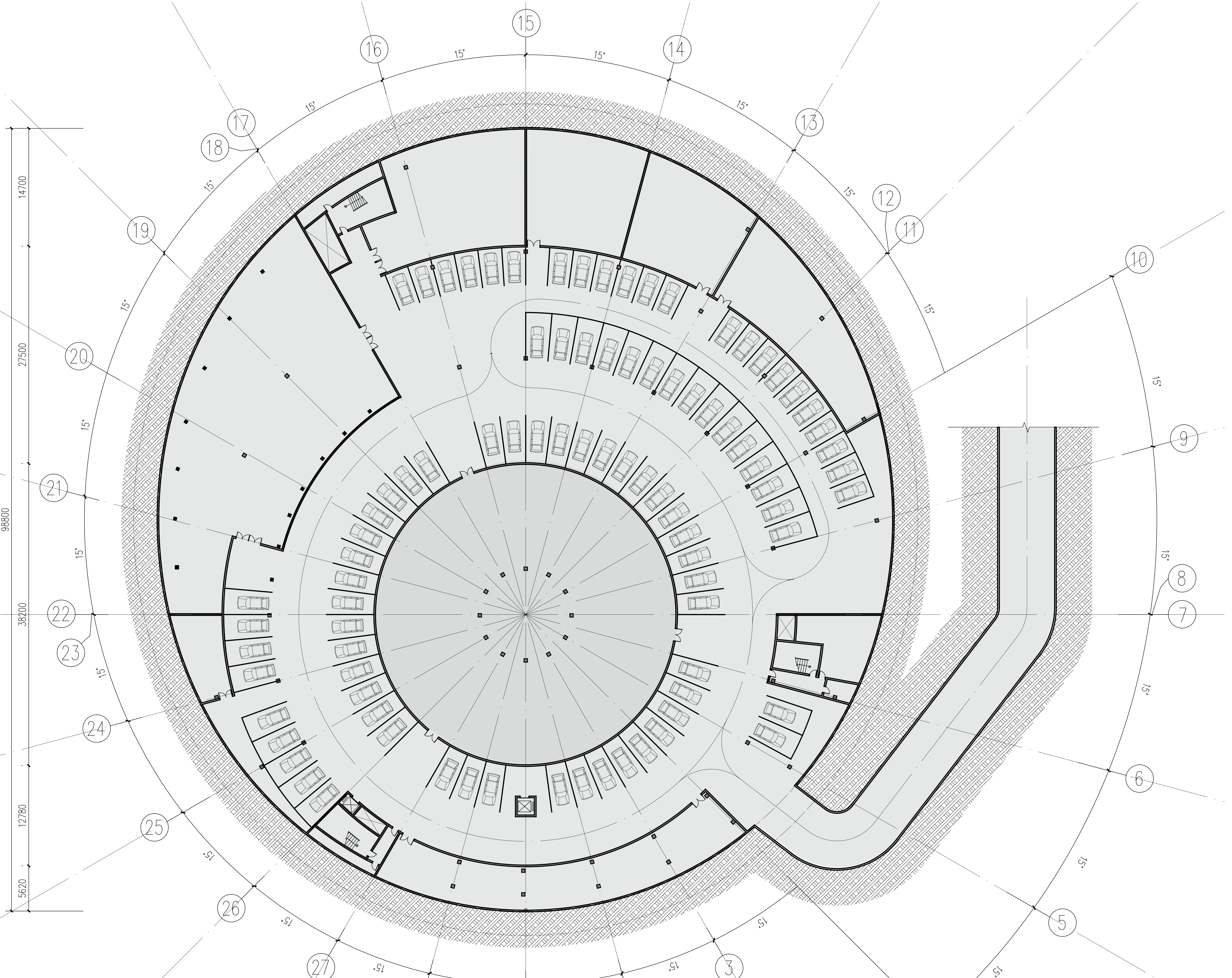




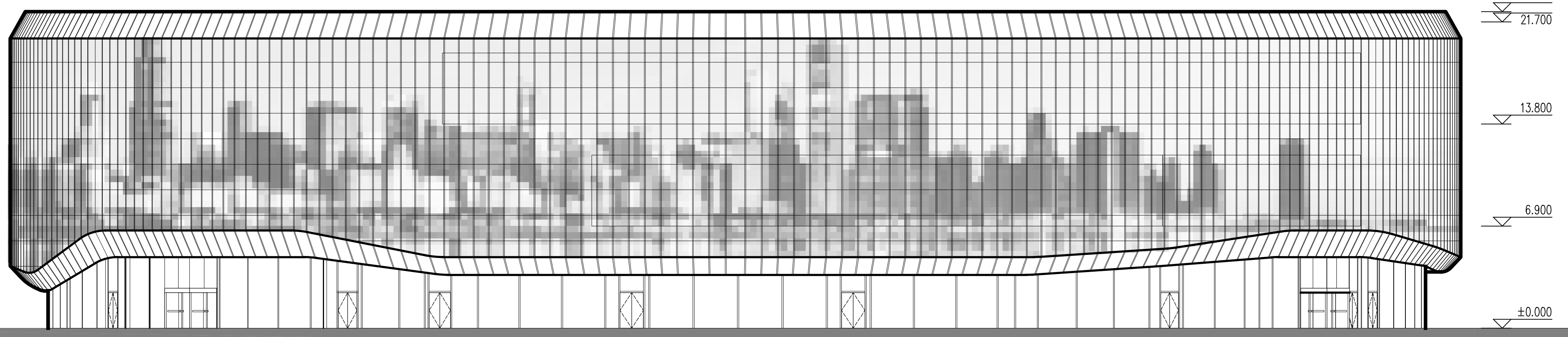
Second floor Plan 1:200



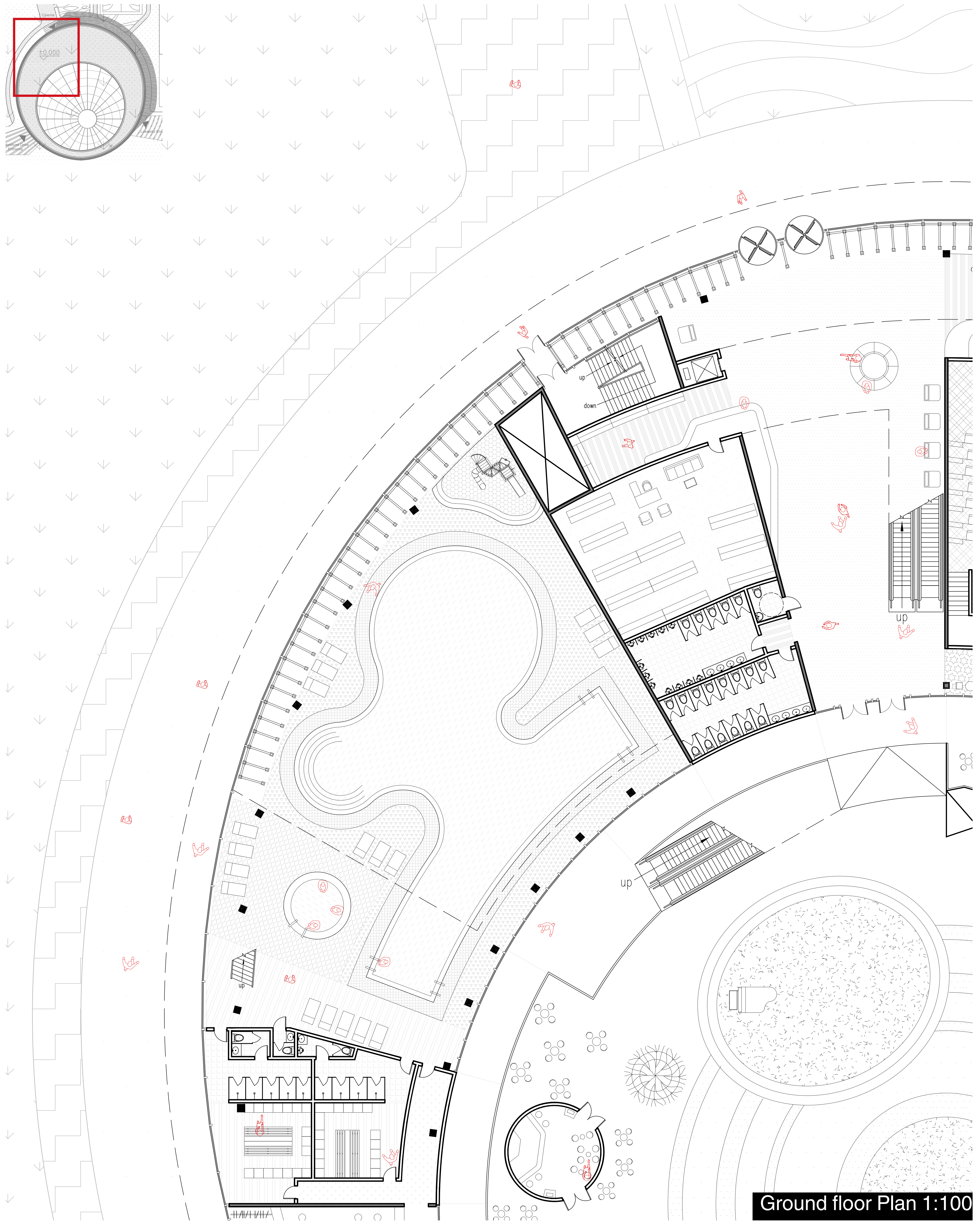
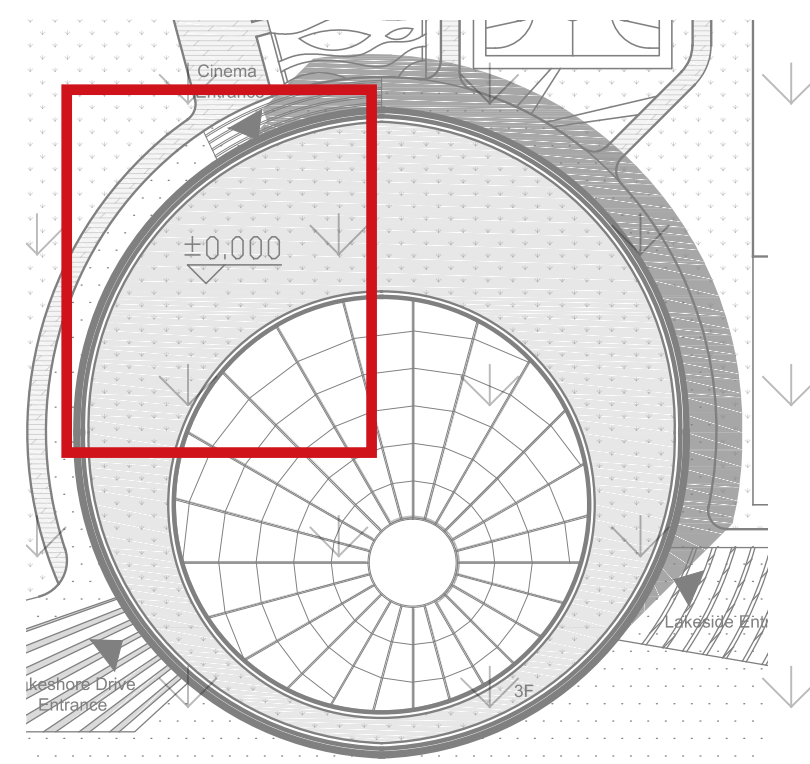
West Facade 1:200



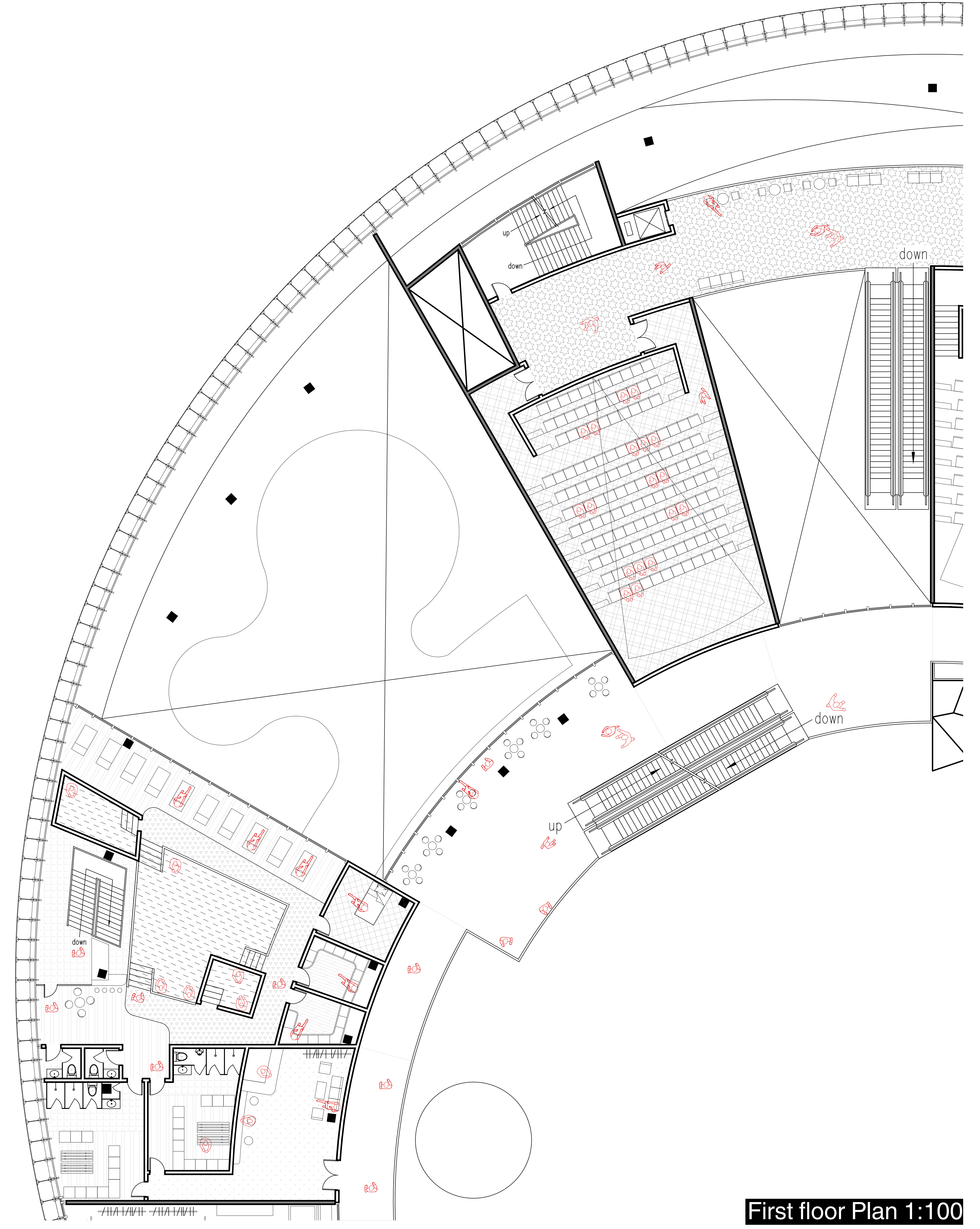
Basement Plan 1:200



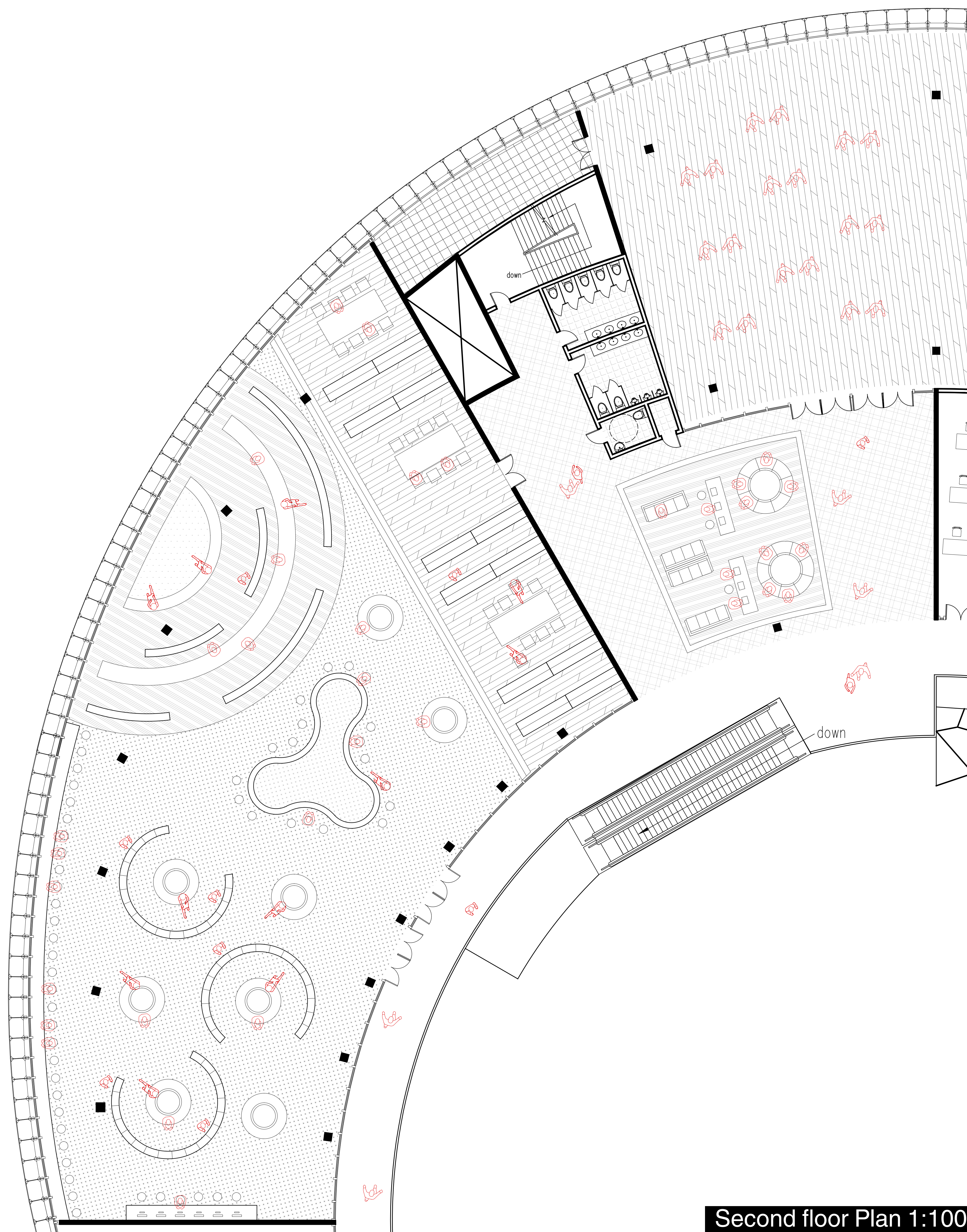
South Facade 1:200



Ground floor Plan 1:100

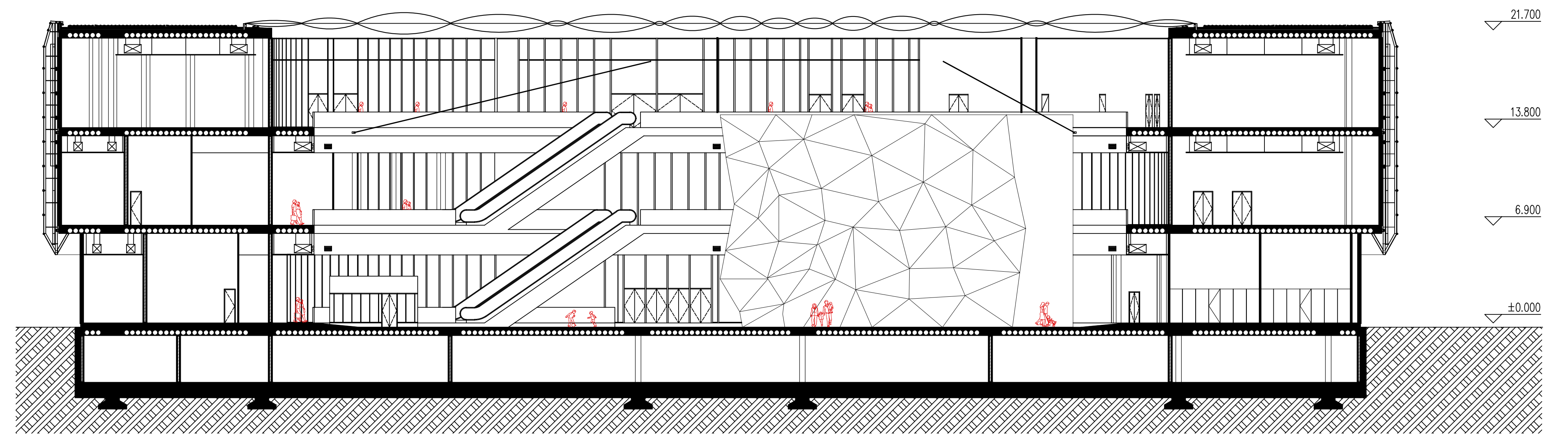
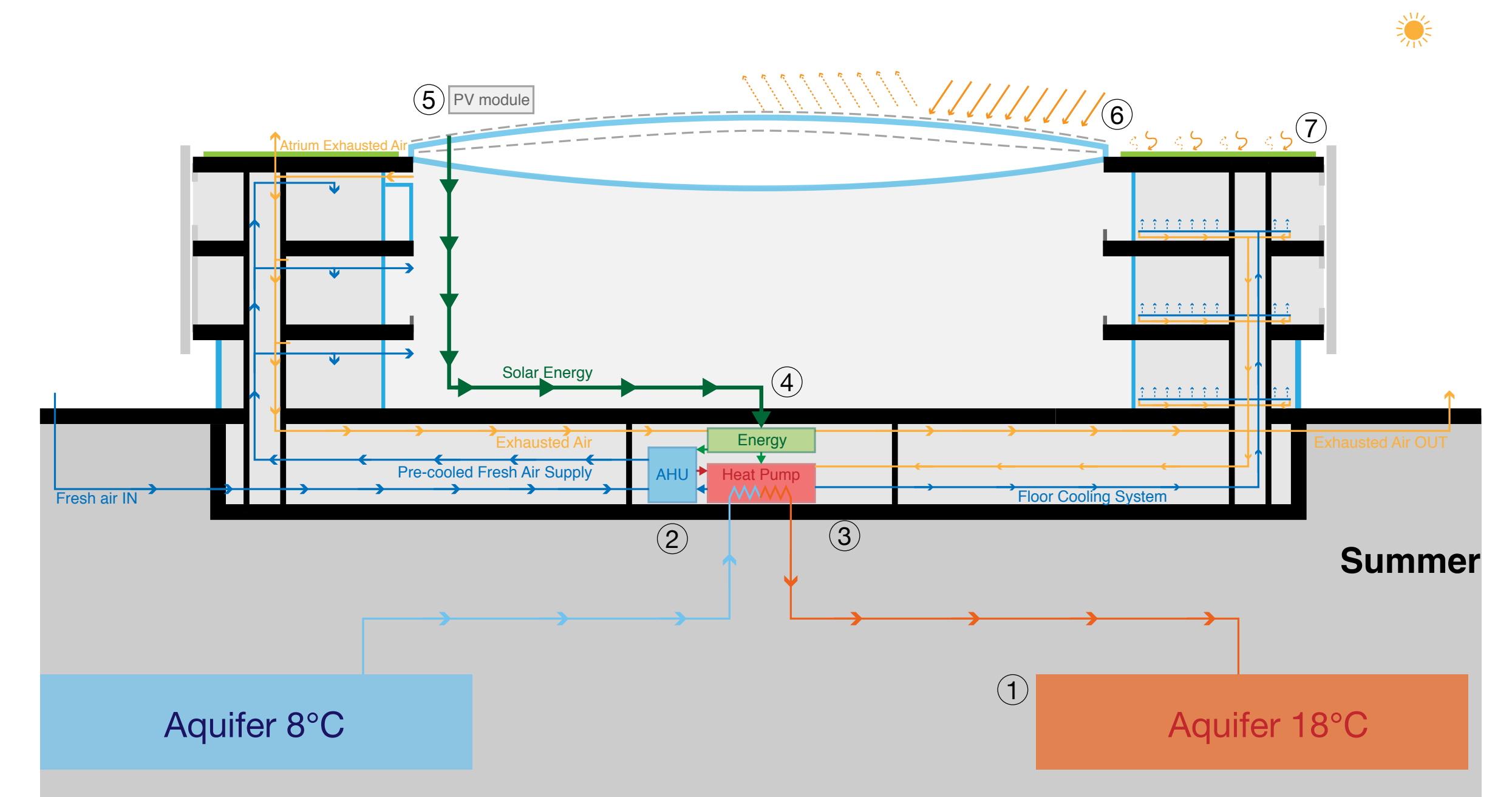
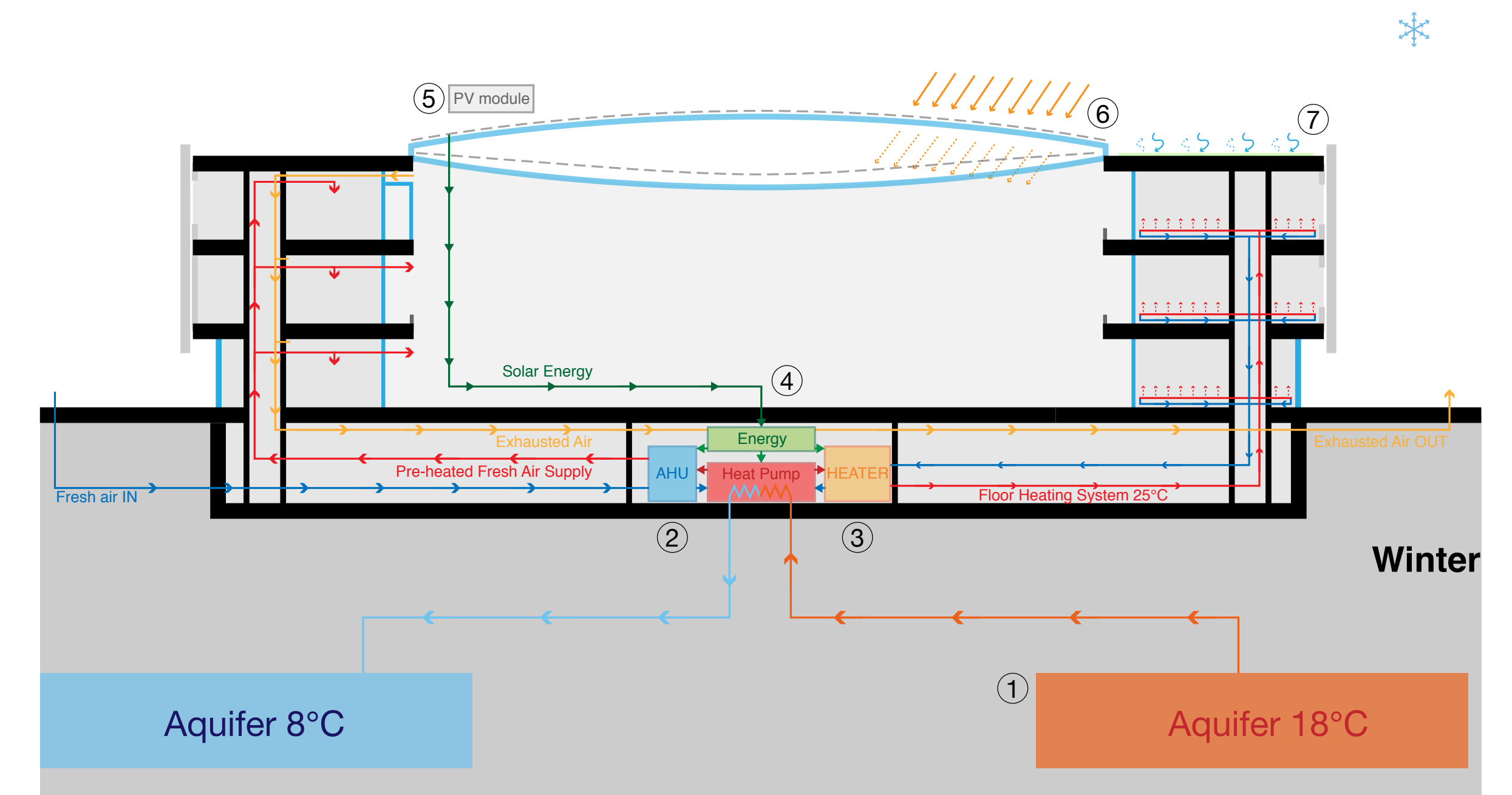


First floor Plan 1:100



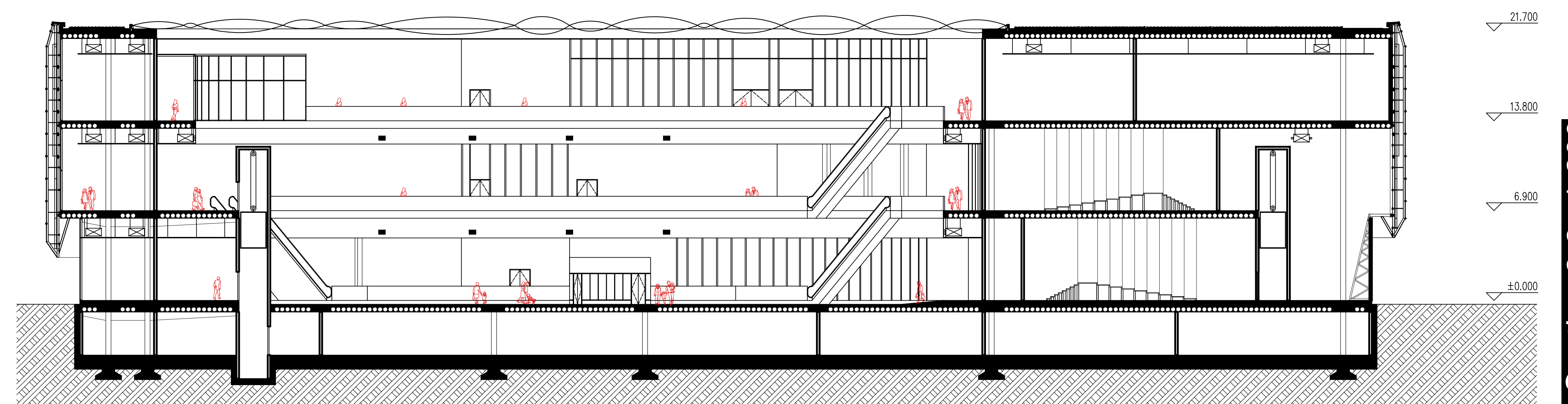
Second floor Plan 1:100

1. Aquifer System: Two heat storage equipment located in different depth with 8°C and 18°C.
2. Air Handling Unit: Pre-cool/ Pre-heat fresh air from the buried pipes.
3. Floor Heating/ Cooling System: Pipes cast-in-situ in Bubble Deck Slap.
4. Energy Collector: Collect Solar energy and heat from the exhausted air, etc.
5. PV module: Solar energy collector on ETFE cushion.
6. Silkscreen printed 3-layer ETFE cushion: Prevent strong sunshine to atrium with a set of positive / negative printing.
7. Green Roof: Provide shade, thermal mass, and evaporative cooling that reduces temperatures on the roof surface and in the building interior below.

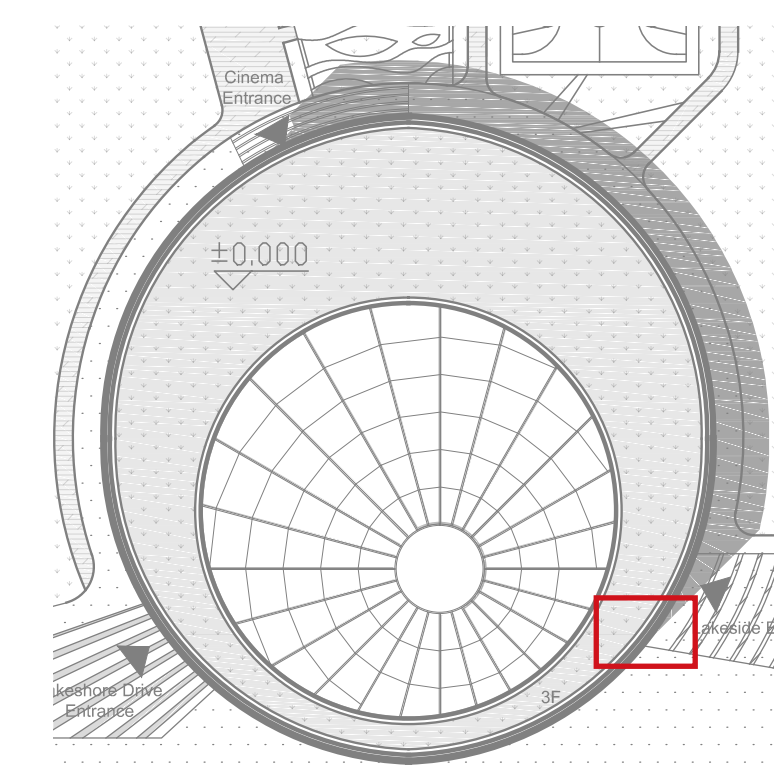
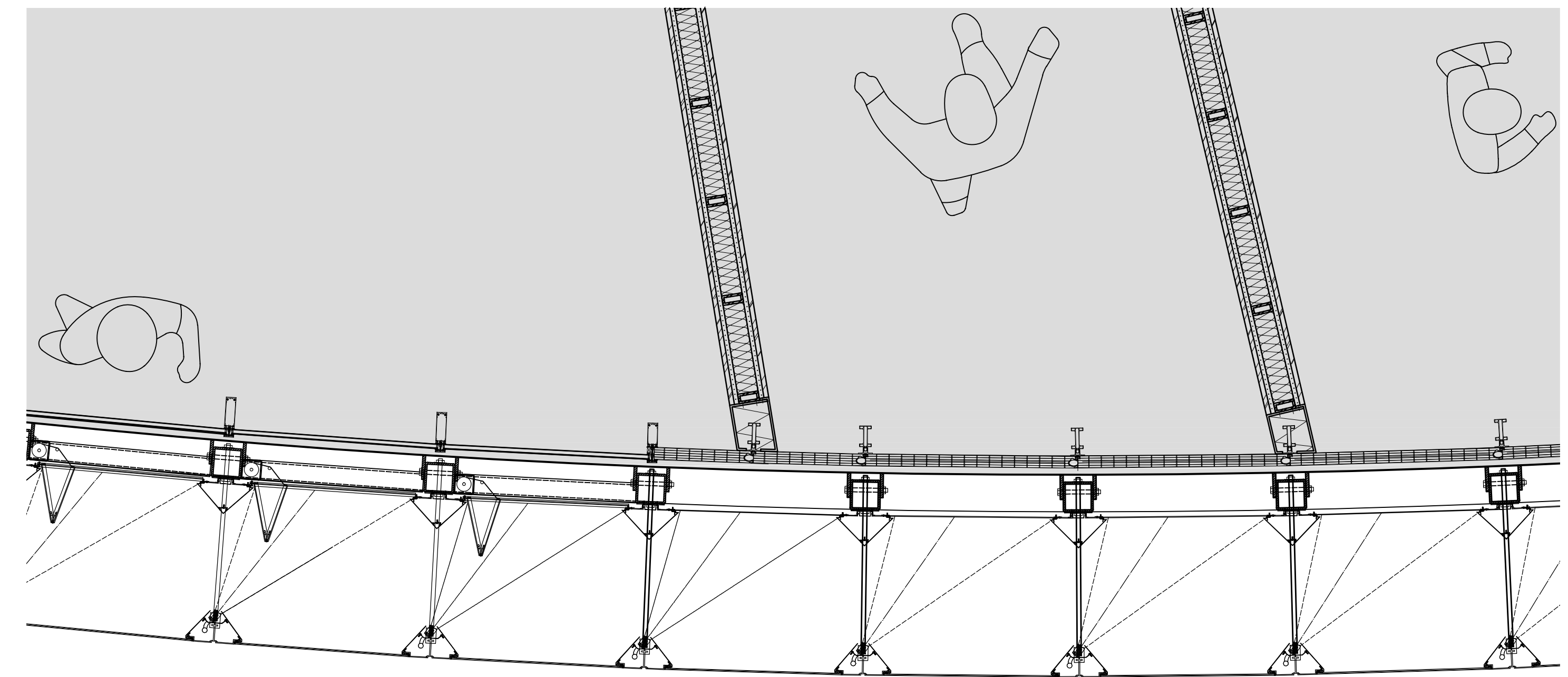
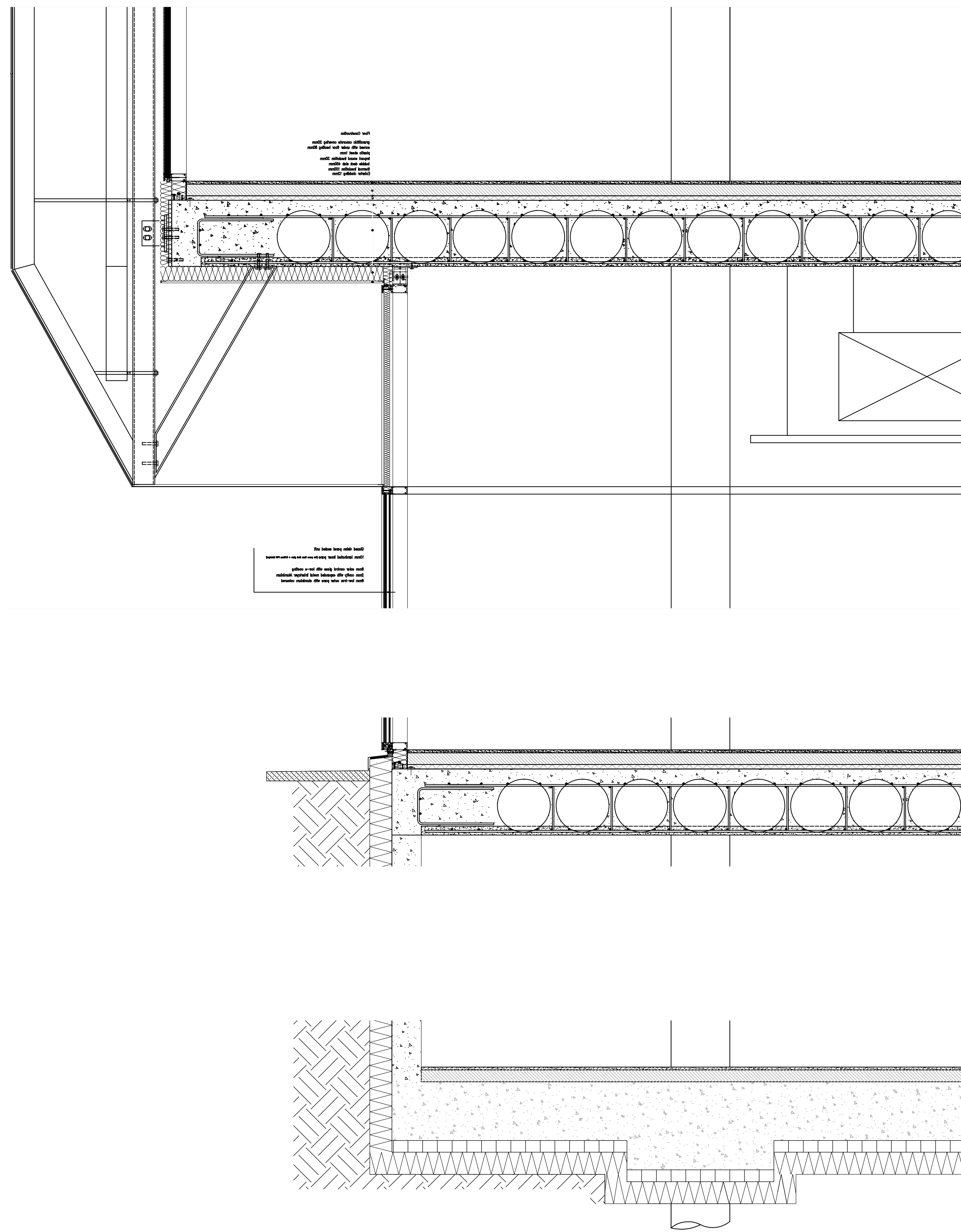
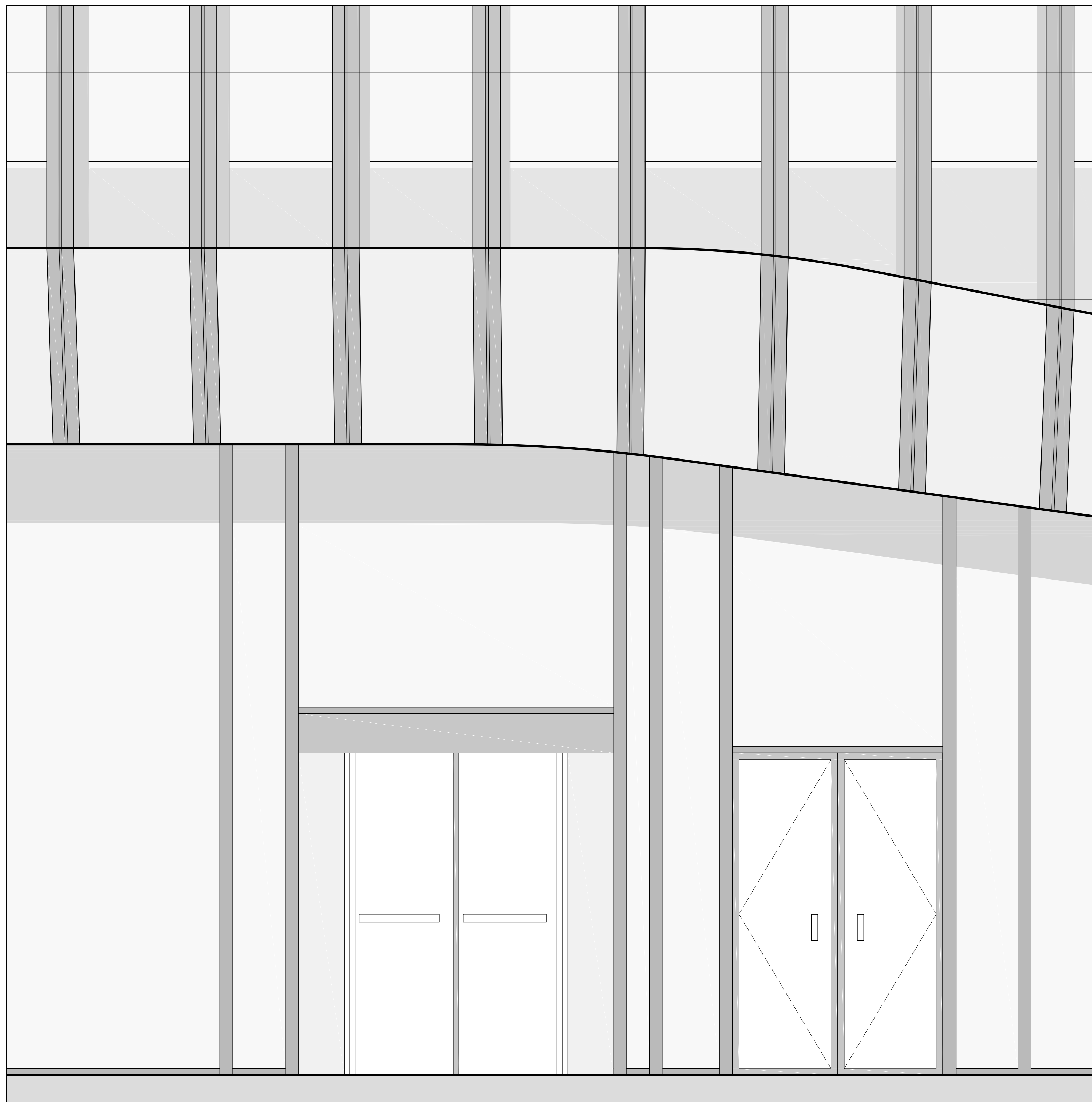
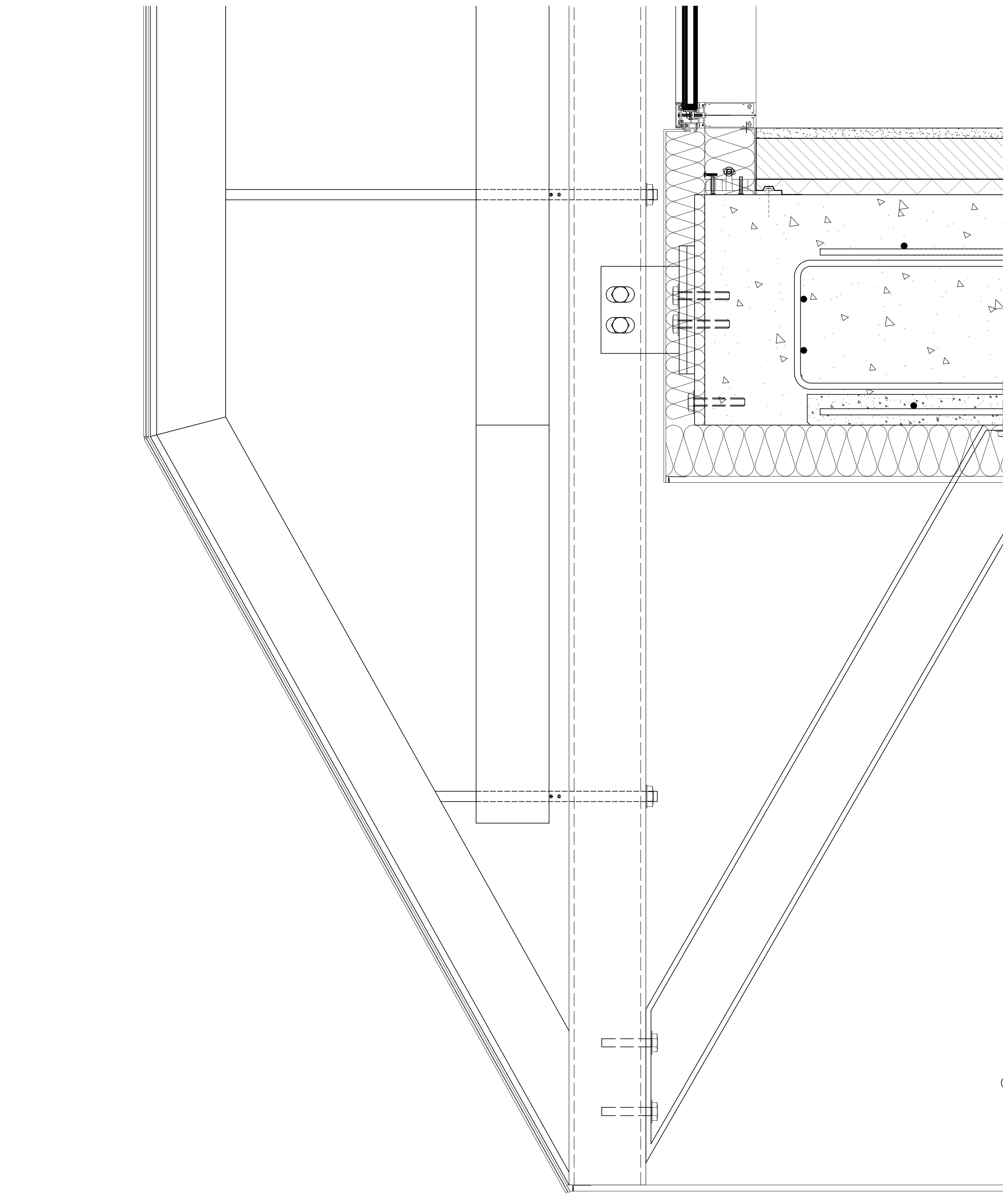
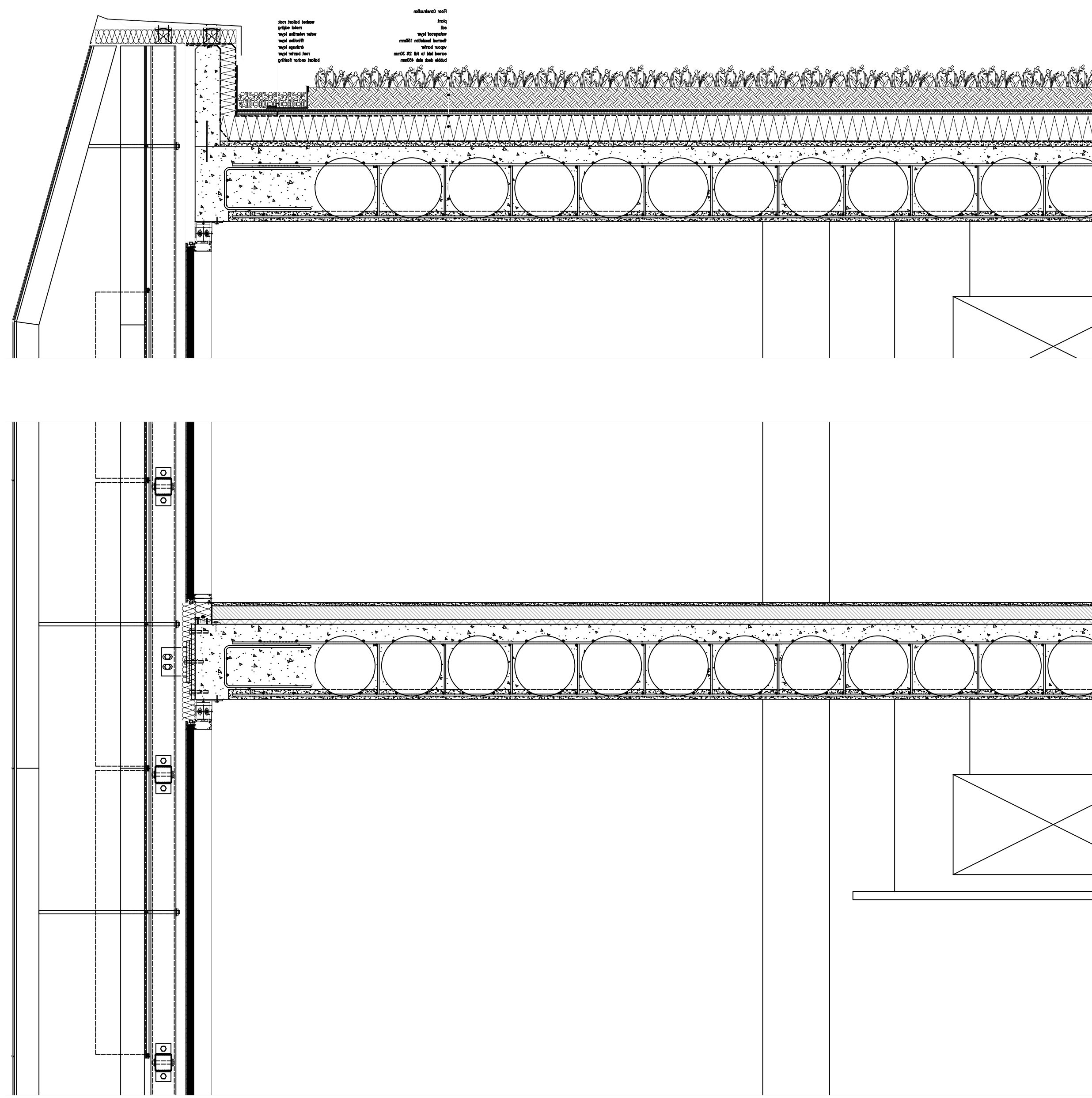
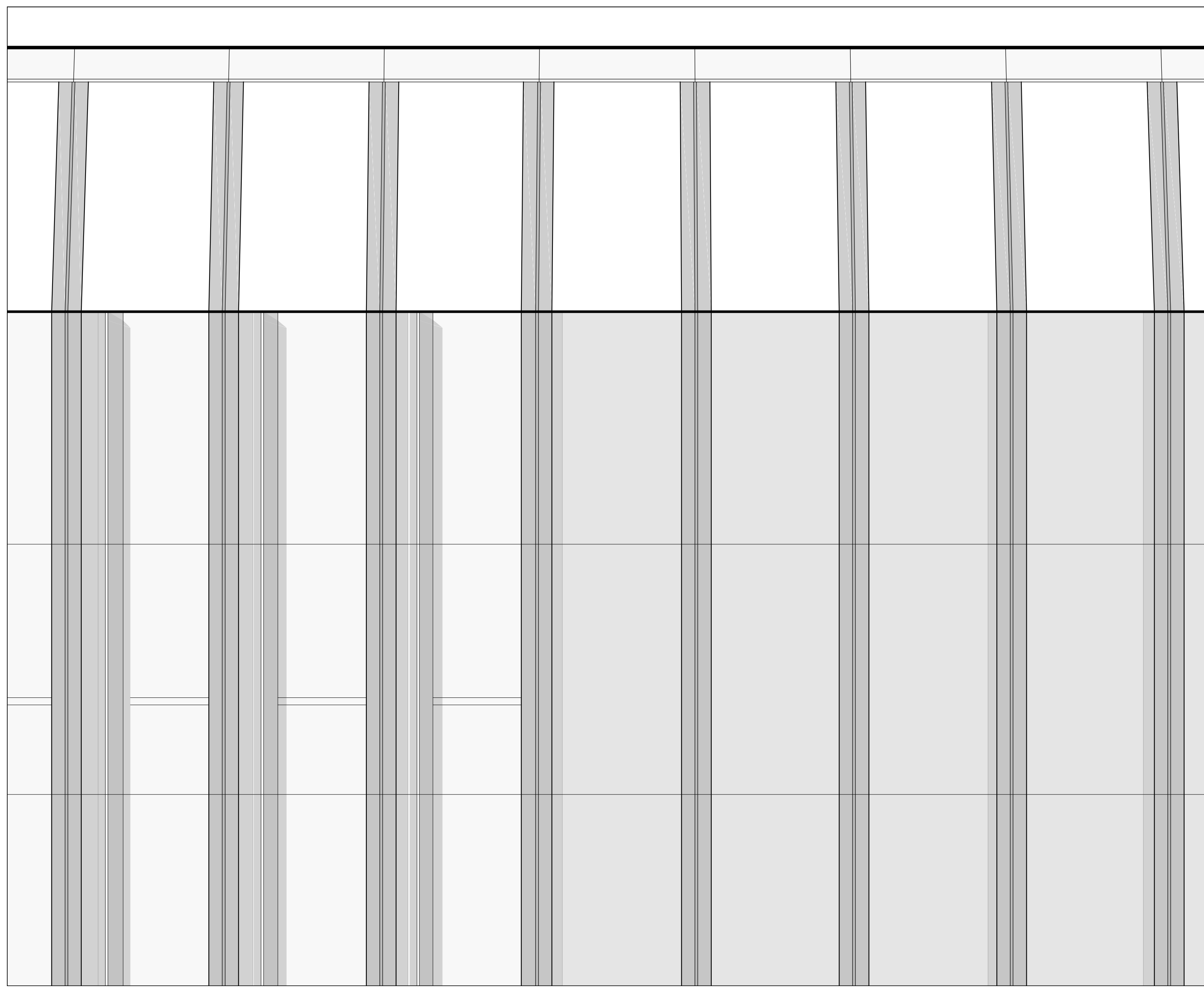


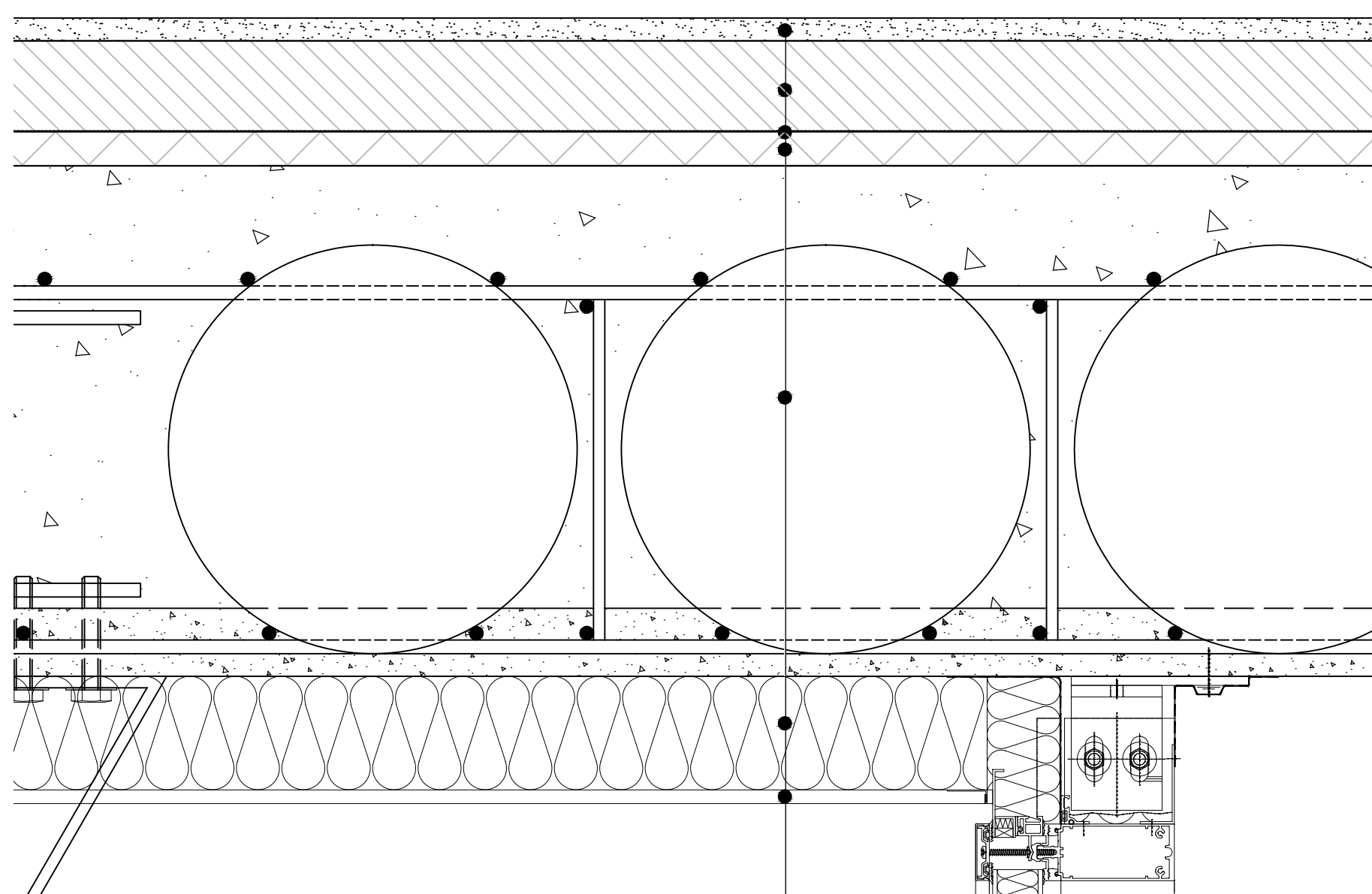
Climate Design

Section 1-1 1:200



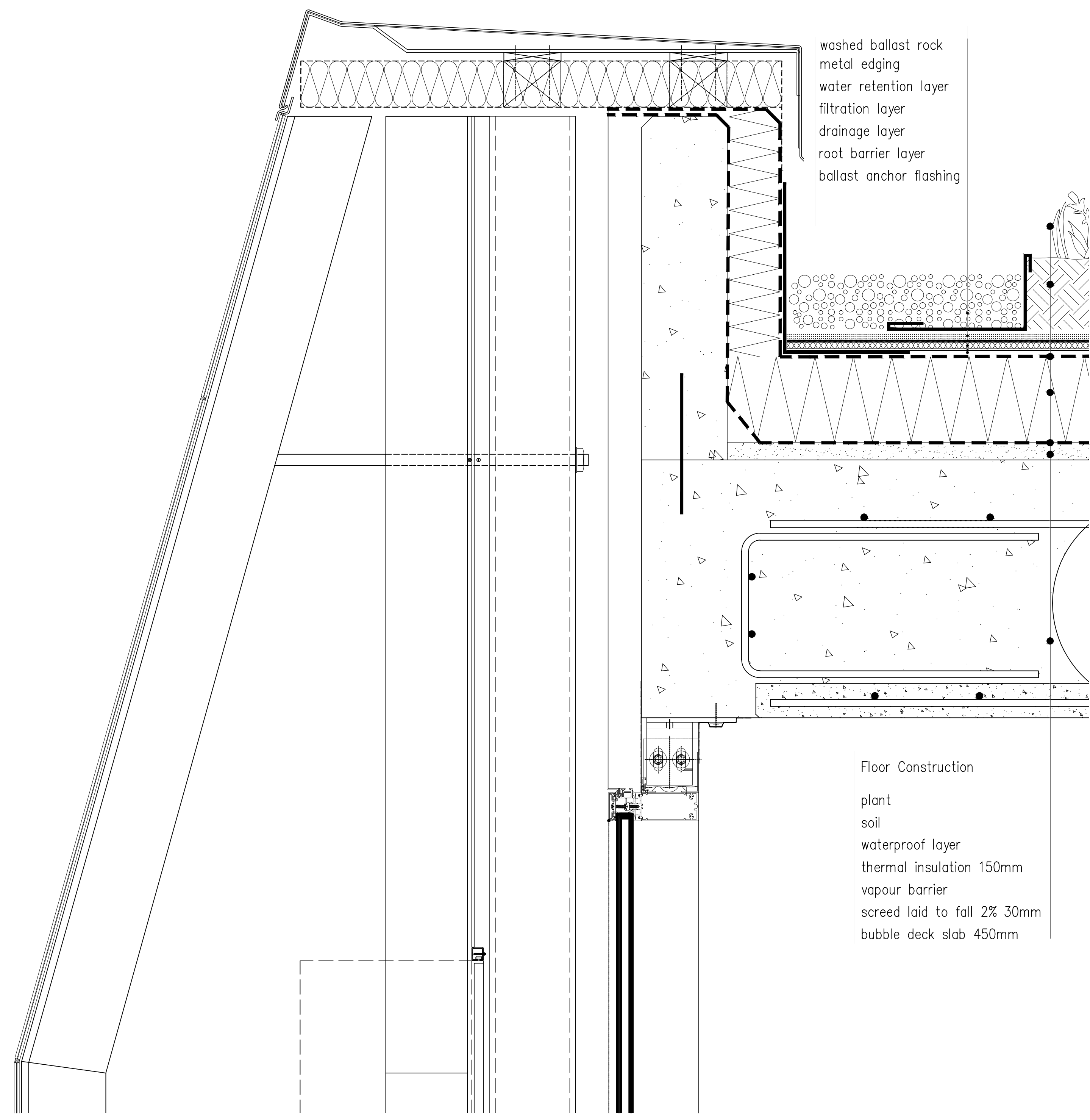
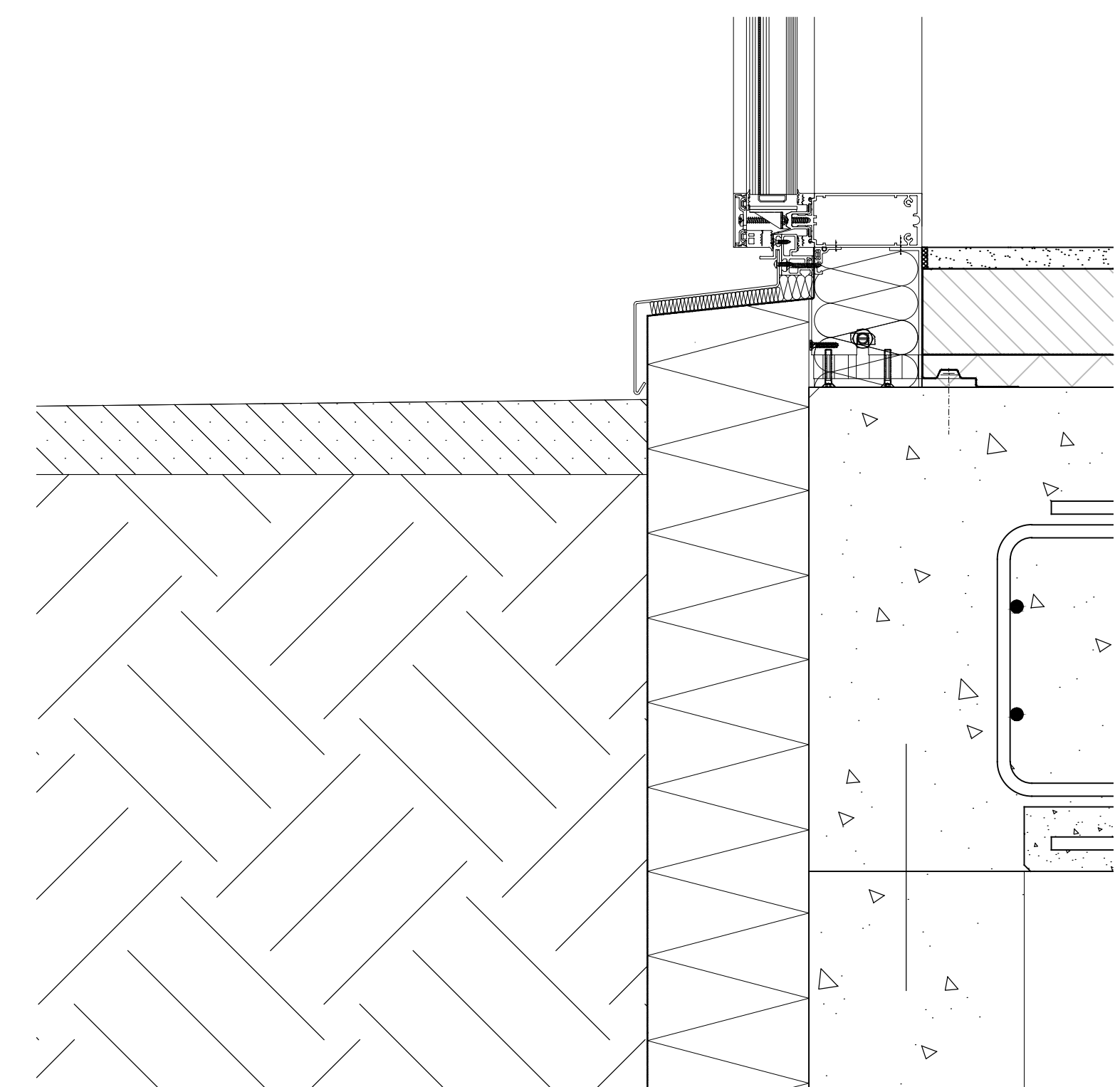
Section 2-2 1:200





Floor Construction
 polished concrete covering 20mm
 screed 80mm
 plastic sheet 1mm
 impact sound insulation 30mm
 bubble deck slab with underfloor heating pipes 450mm
 thermal insulation 100mm
 Exterior Aluminum board cladding 12mm

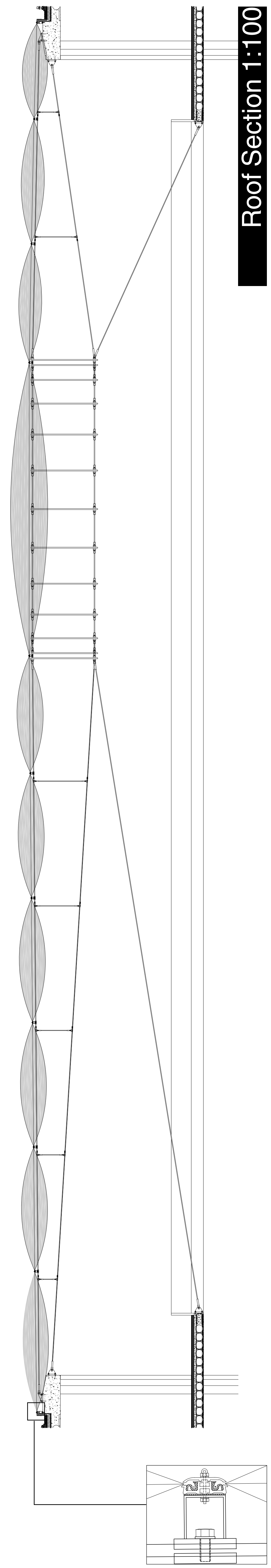
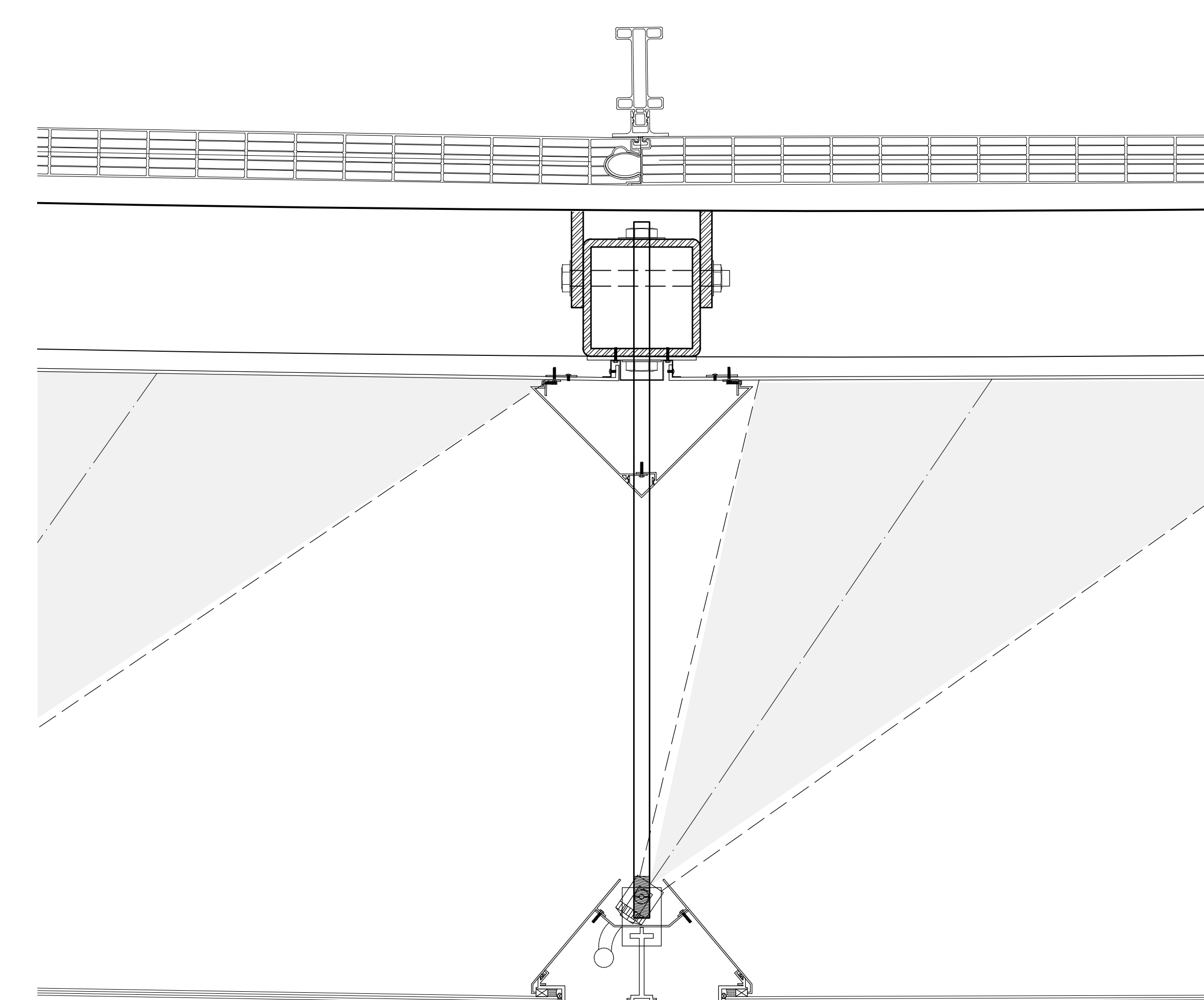
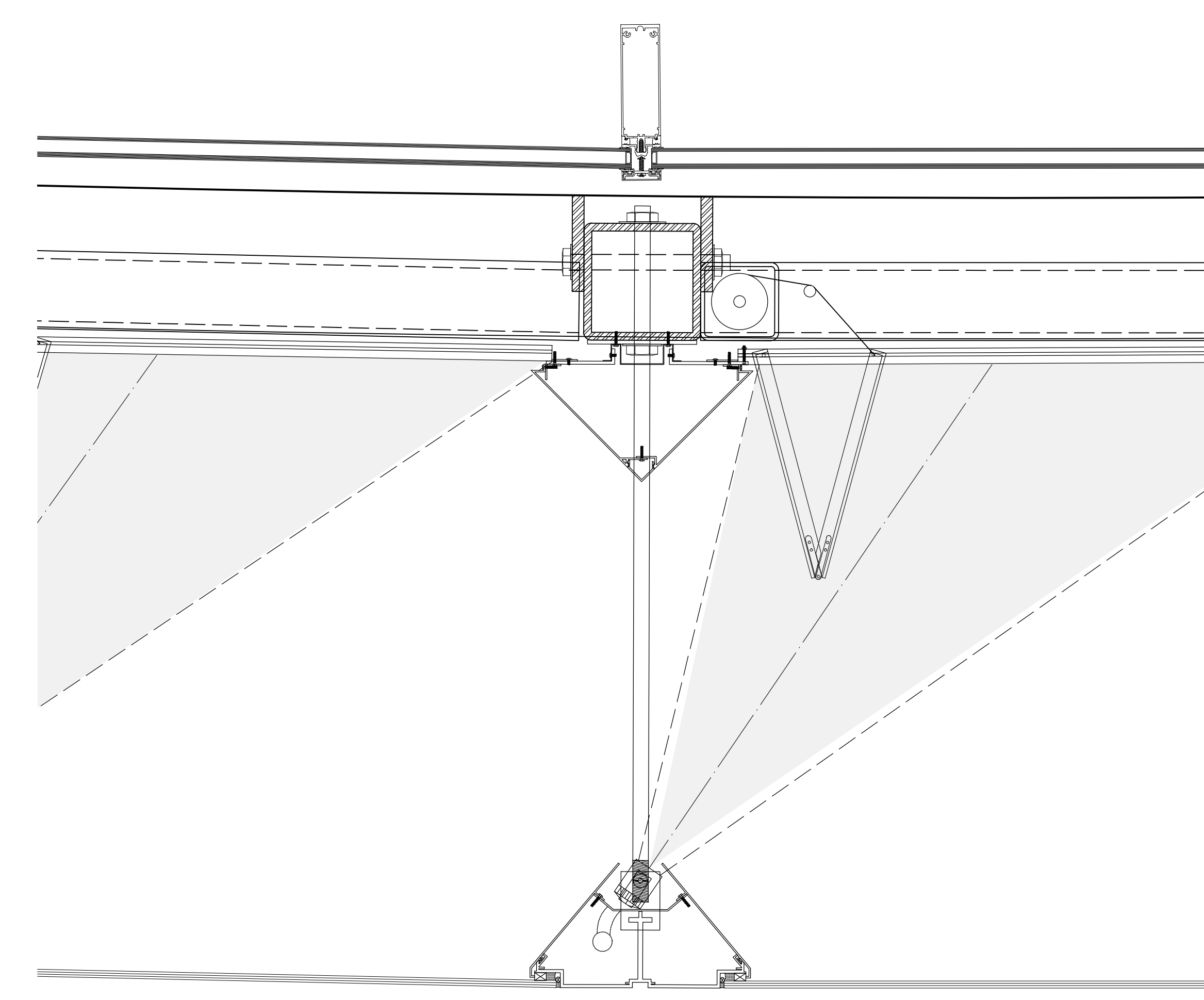
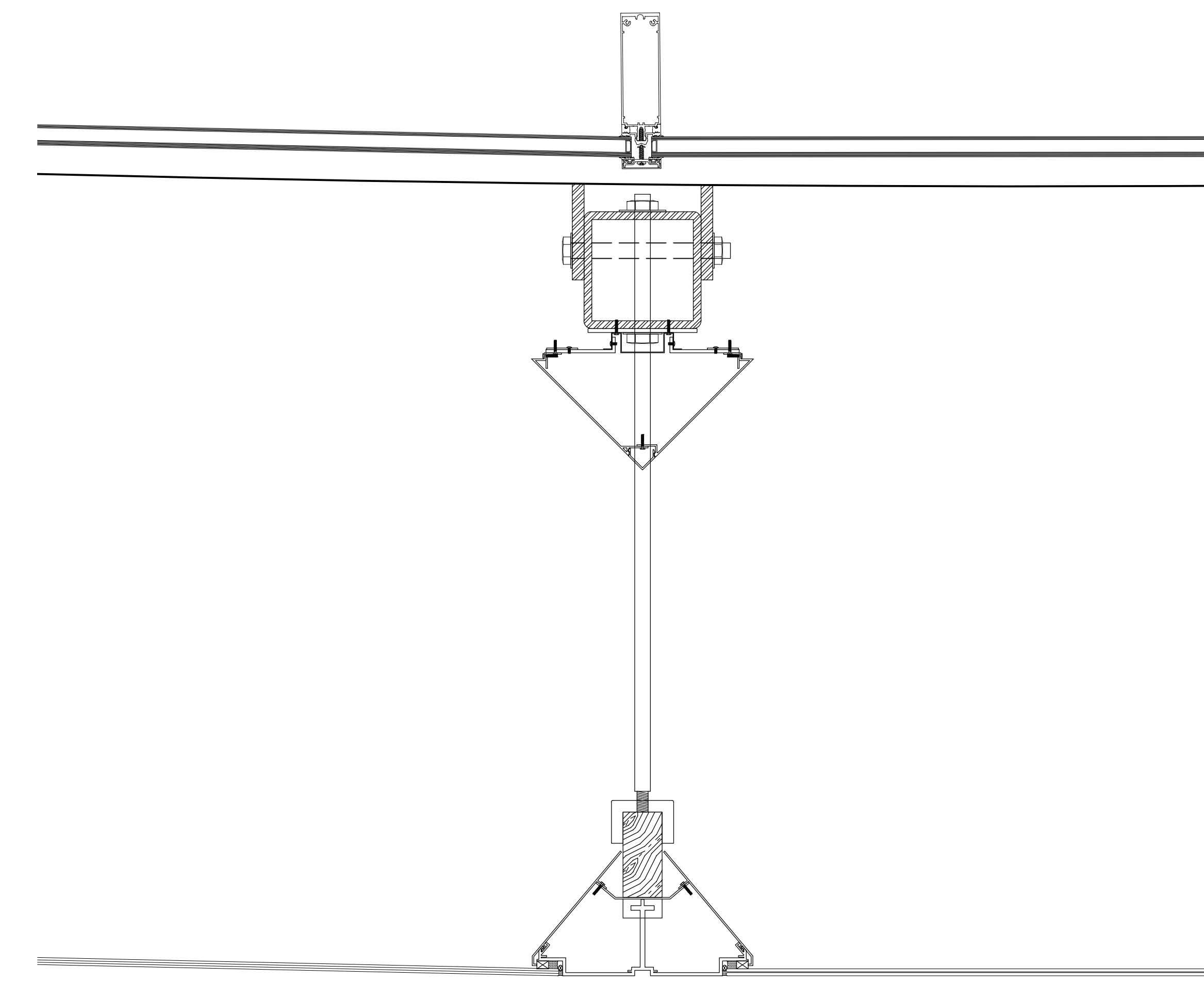
Glazed vision panel sealed unit:
 10mm laminated inner pane (two panes 5mm float glass + 0.76mm PVB interlayer)
 8mm solar control glass with low-e coating
 2mm cavity with expanded metal interlayer Aluminium
 8mm low-iron outer pane with aluminium coloured



washed ballast rock
 metal edging
 water retention layer
 filtration layer
 drainage layer
 root barrier layer
 ballast anchor flashing

Floor Construction
 plant
 soil
 waterproof layer
 thermal insulation 150mm
 vapour barrier
 screed laid to fall 2% 30mm
 bubble deck slab 450mm

Floor Construction
 polished concrete covering 20mm
 screed 80mm
 plastic sheet 1mm
 impact sound insulation 30mm
 bubble deck slab with underfloor heating pipes 450mm



Roof Section 1:100