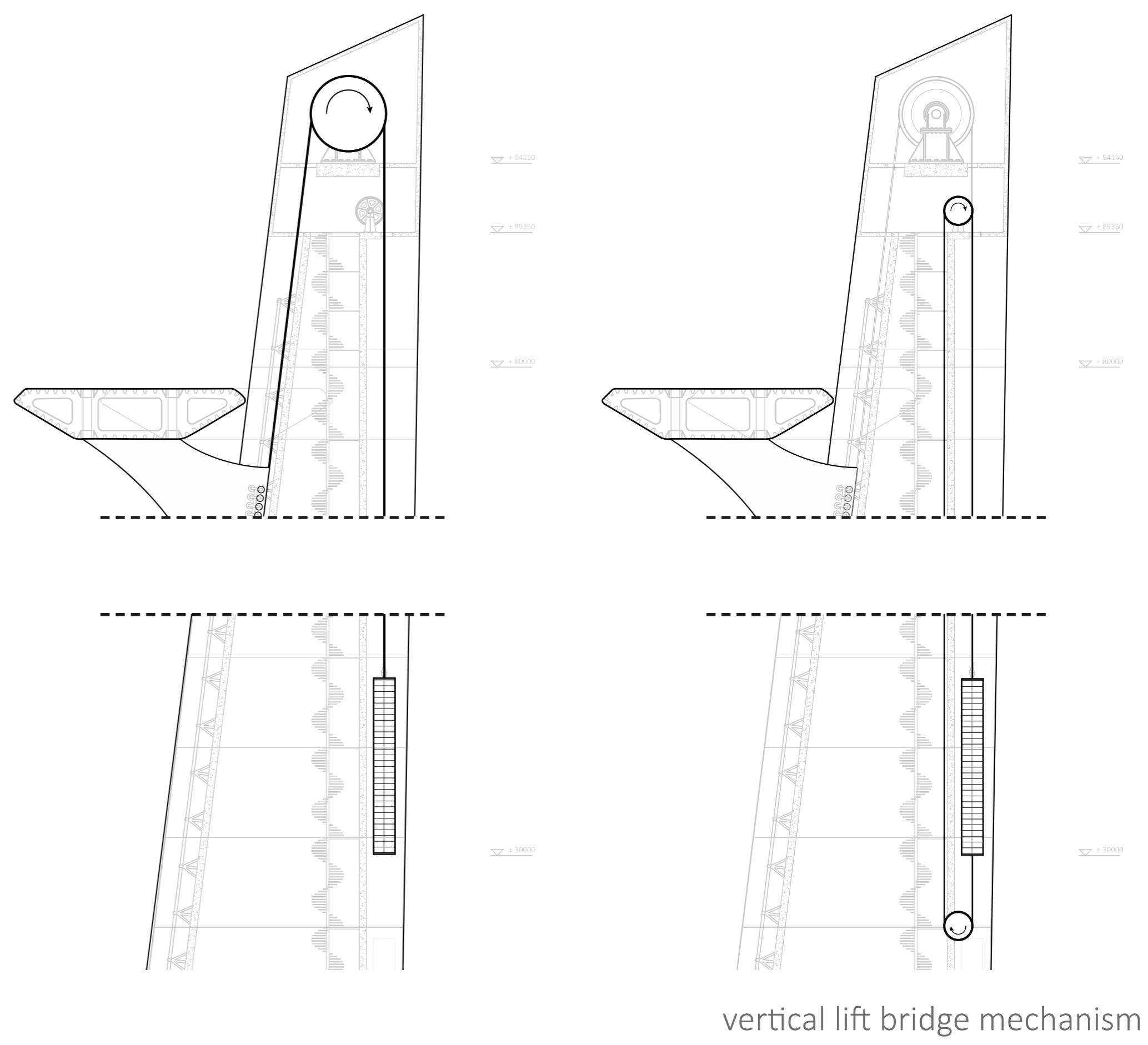
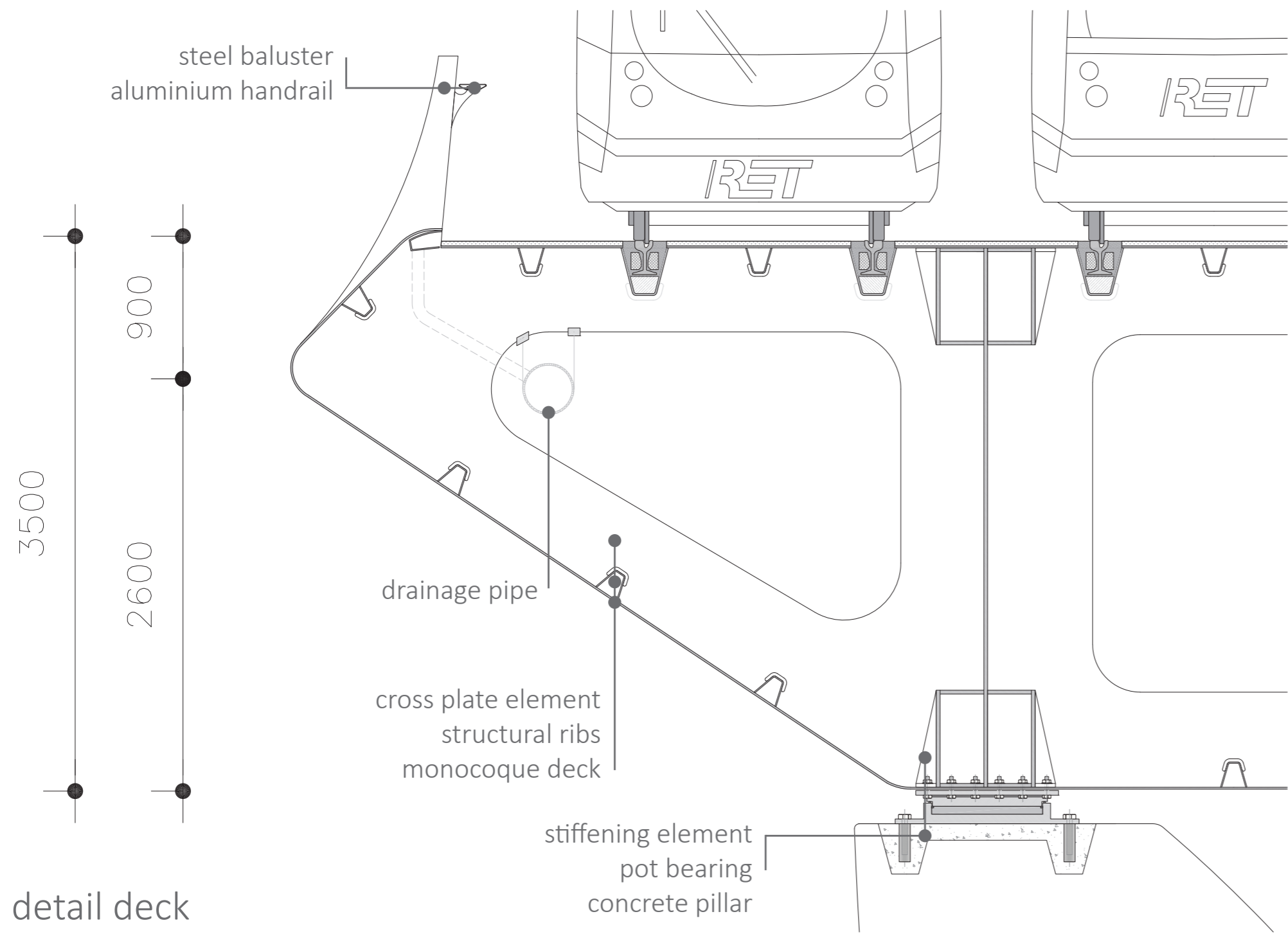


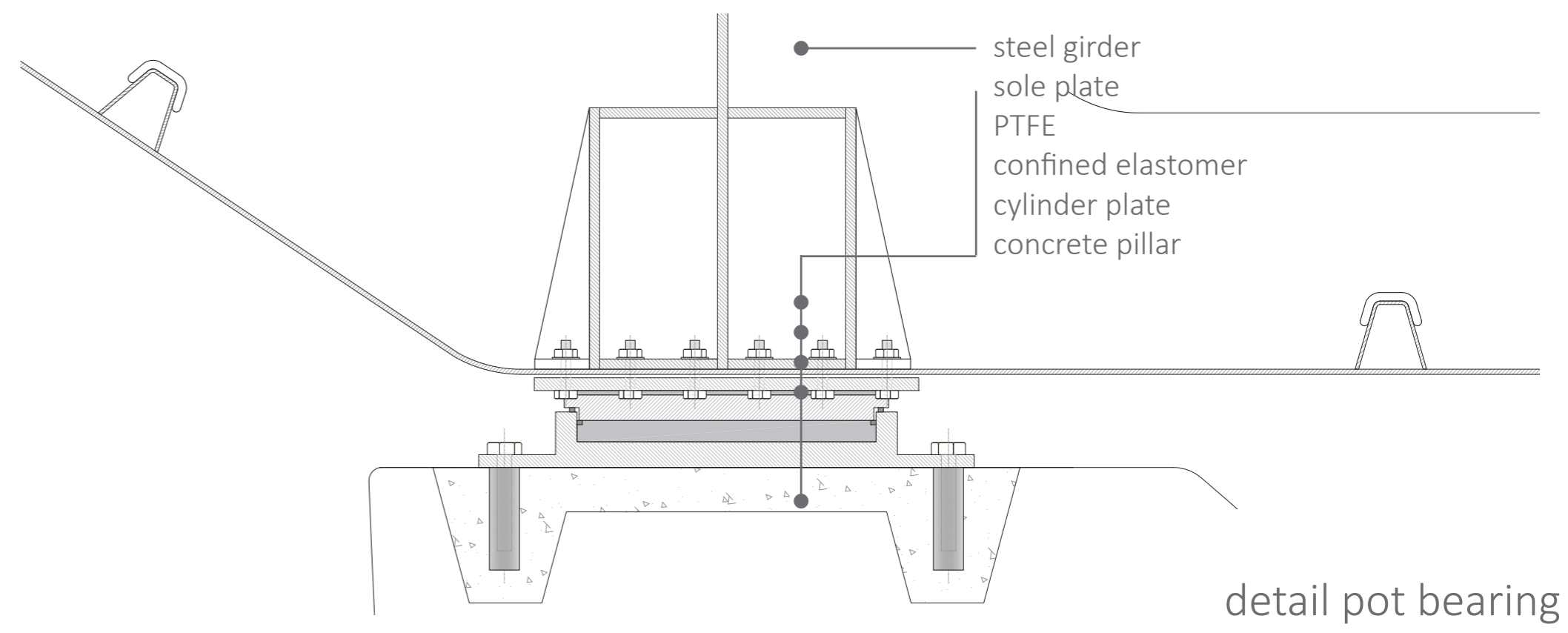
building sequence



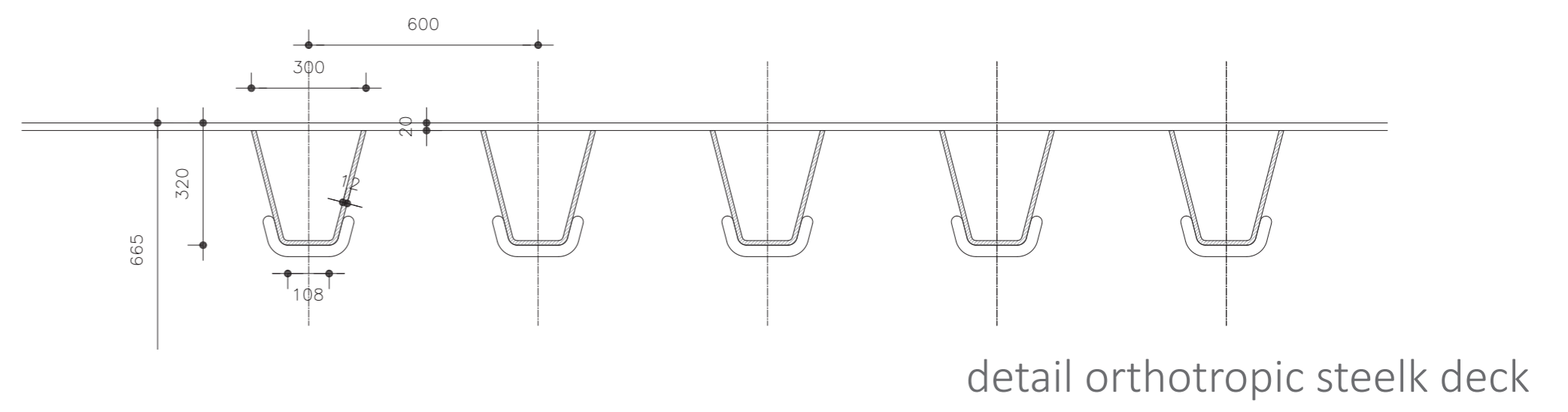
vertical lift bridge mechanism



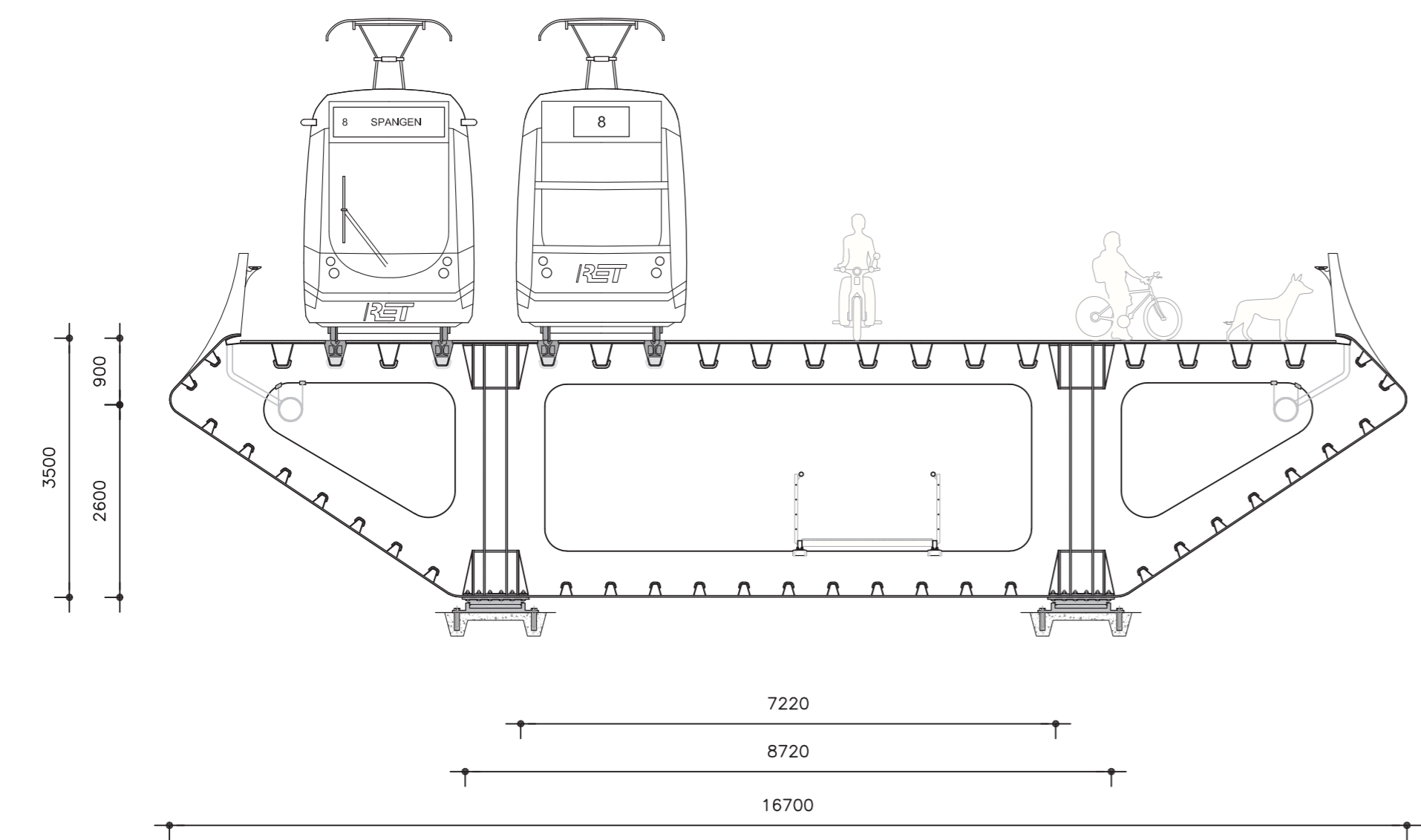
detail deck



detail pot bearing



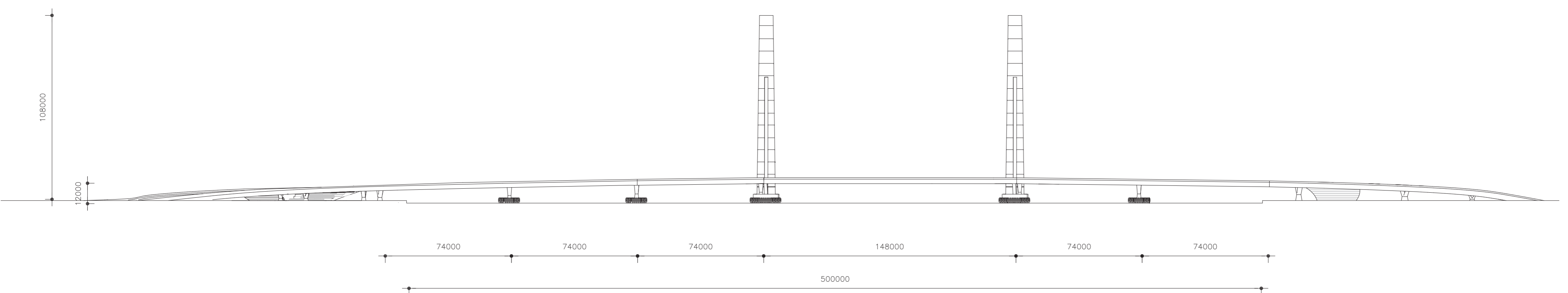
detail orthotropic steel deck



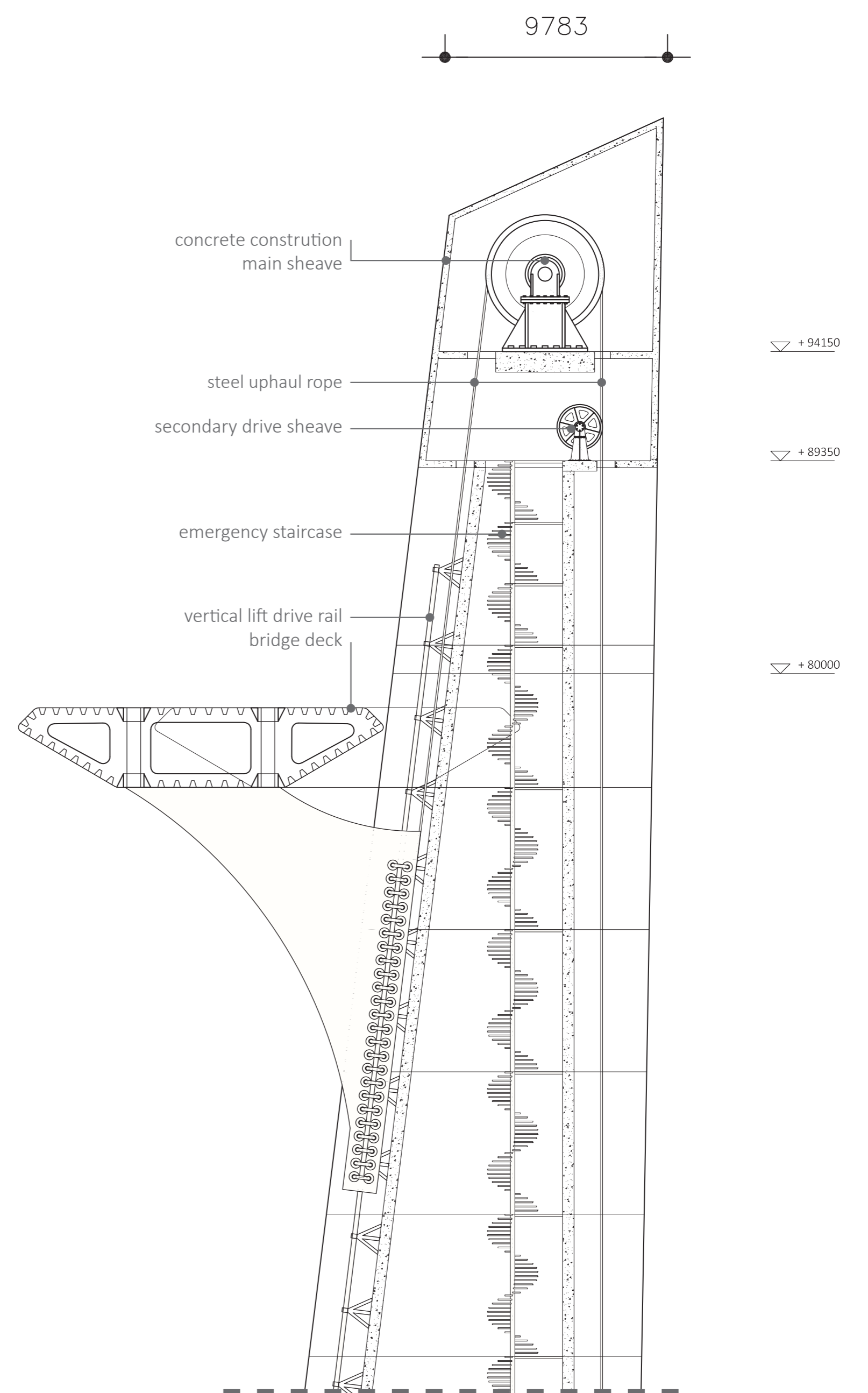
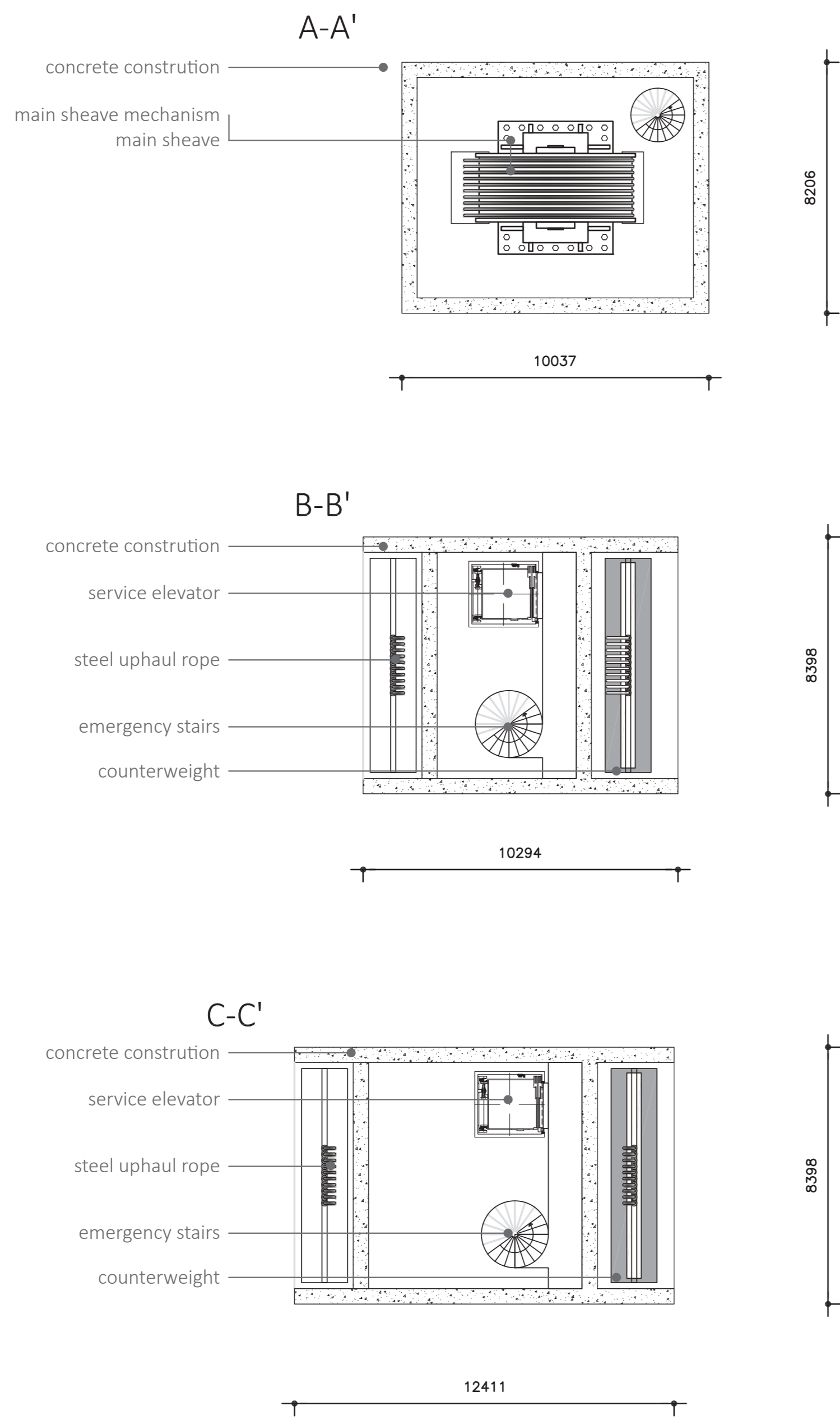
section deck



plan view

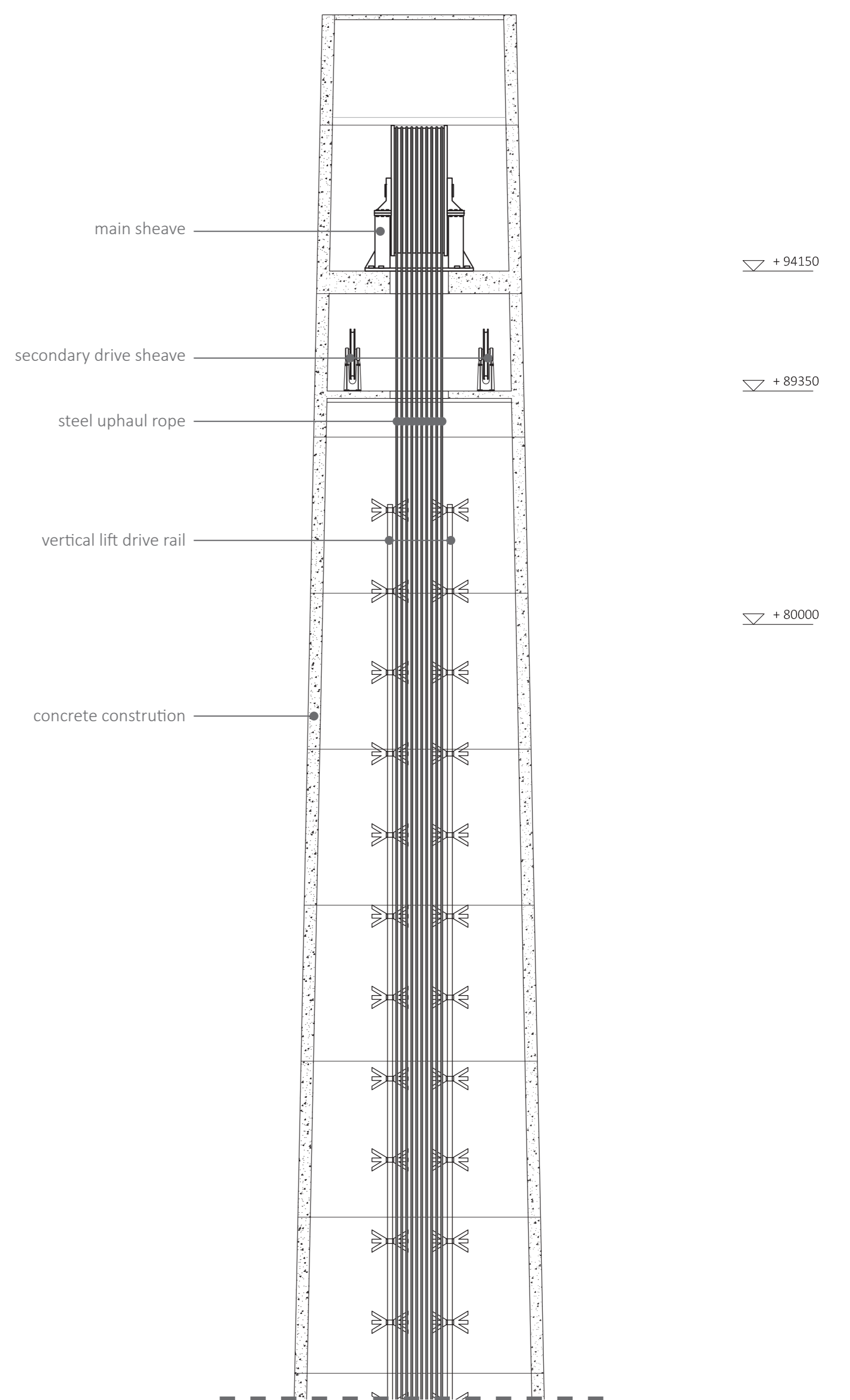
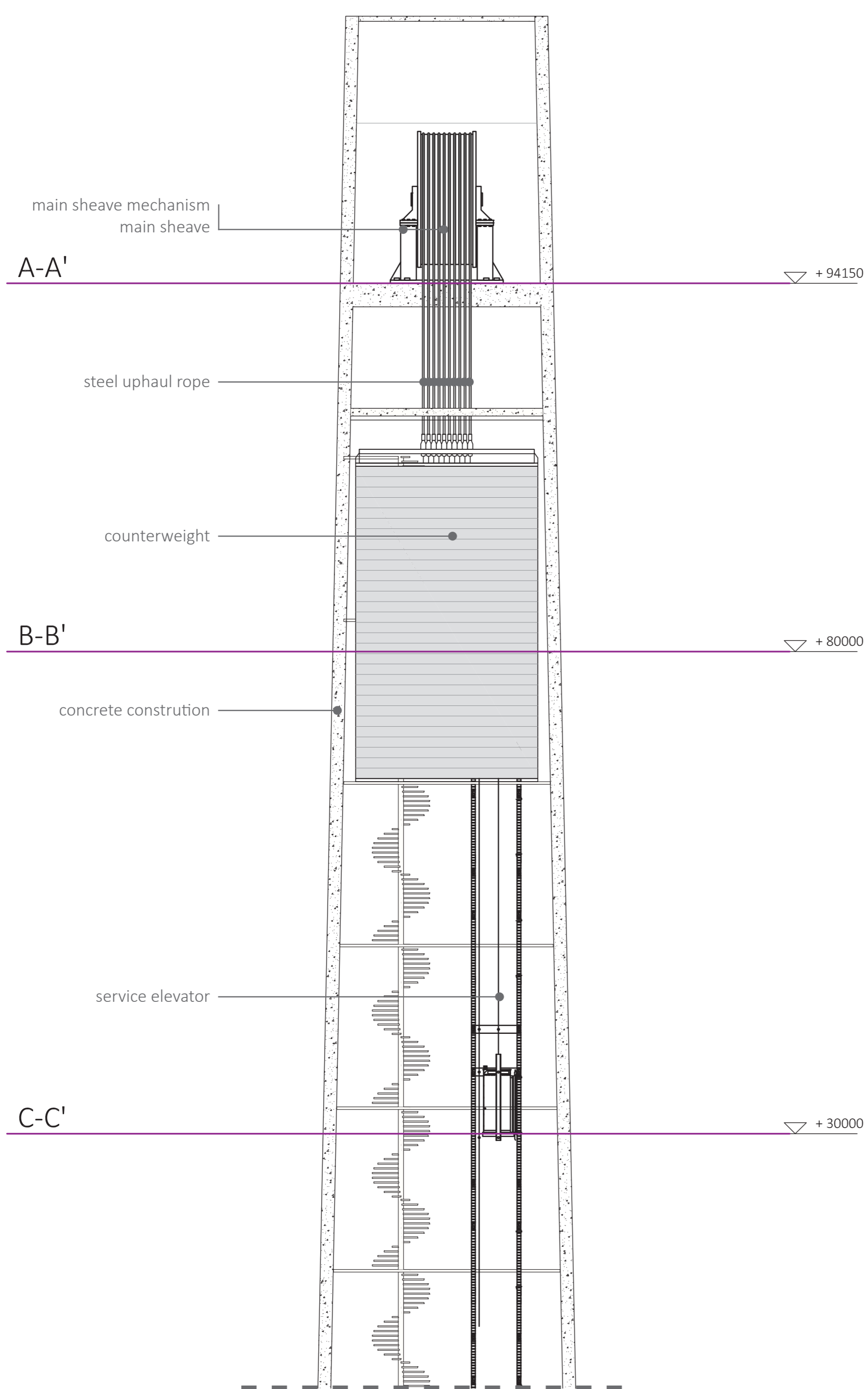


elevation west



plan section

longitudinal section - side view



longitudinal section - back view

longitudinal section - front view