

DESIGNING FOR MALADJUSTED YOUTH. USING A REWARD PROGRAM.

Graduation Presentation

Erik Wolsky

26th January 2011

Explorelab 9

Faculty of Architecture

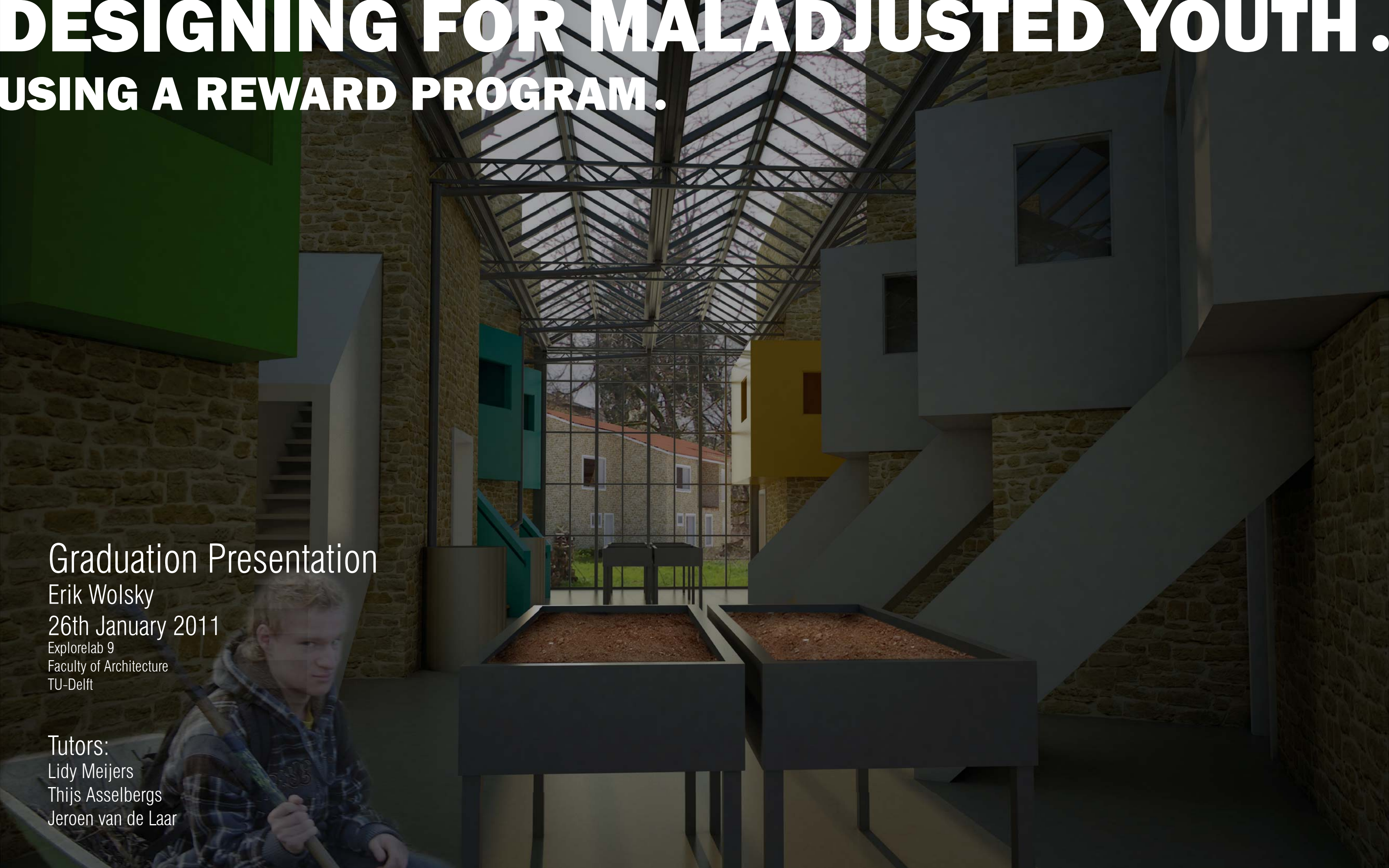
TU-Delft

Tutors:

Lidy Meijers

Thijs Asselbergs

Jeroen van de Laar



INDEX.

INDEX.

- **INTRODUCTION**

INDEX.

- **INTRODUCTION**
- **RESEARCH INTERVIEWS**

INDEX.

- **INTRODUCTION**
- **RESEARCH INTERVIEWS**
- **RESEARCH BY DESIGN**

INDEX.

- **INTRODUCTION**
- **RESEARCH INTERVIEWS**
- **RESEARCH BY DESIGN**
- **STORYLINE ONE DAY**

INDEX.

- **INTRODUCTION**
- **RESEARCH INTERVIEWS**
- **RESEARCH BY DESIGN**
- **STORYLINE ONE DAY**
- **STORYLINE REWARD PROGRAM**

INDEX.

- **INTRODUCTION**
- **RESEARCH INTERVIEWS**
- **RESEARCH BY DESIGN**
- **STORYLINE ONE DAY**
- **STORYLINE REWARD PROGRAM**
- **CONNECTION**

INTRODUCTION .

FOR WHOM?

MALADJUSTED YOUTH

Introduction

research interviews and literature

research by design

storyline one day

storyline reward program

connection

11 of 90

FOR WHOM?

ABEL.

HOW?



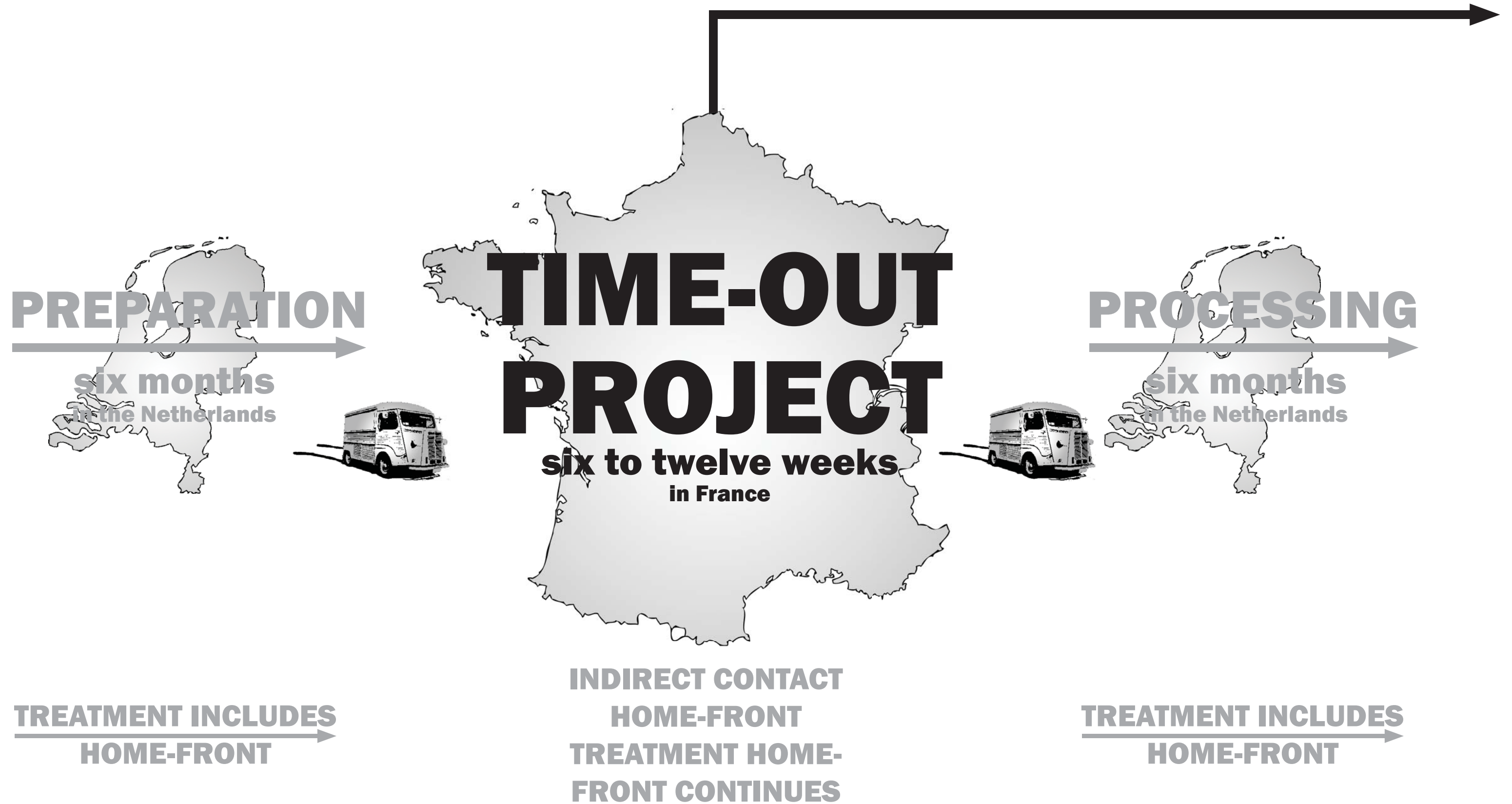
HOW?



HOW?



HOW?



WHERE?

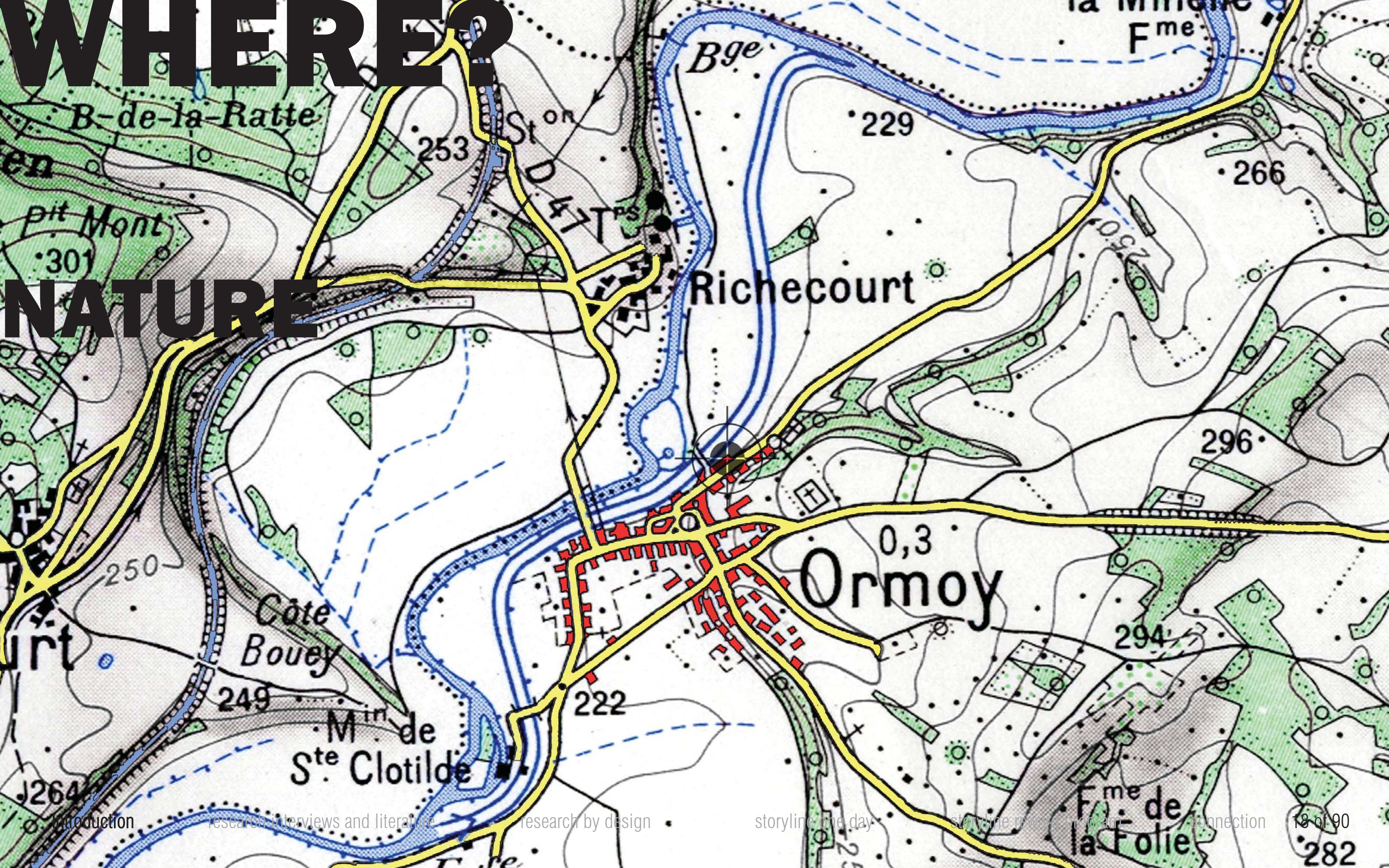
ABROAD

ORMOY



WHERE?

NATURE



WHERE?

EXISTING BUILDING



WHERE?

EXISTING BUILDING



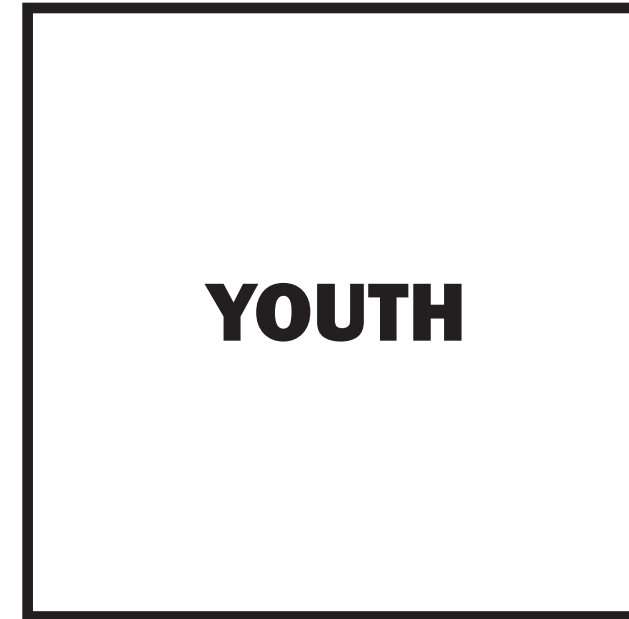
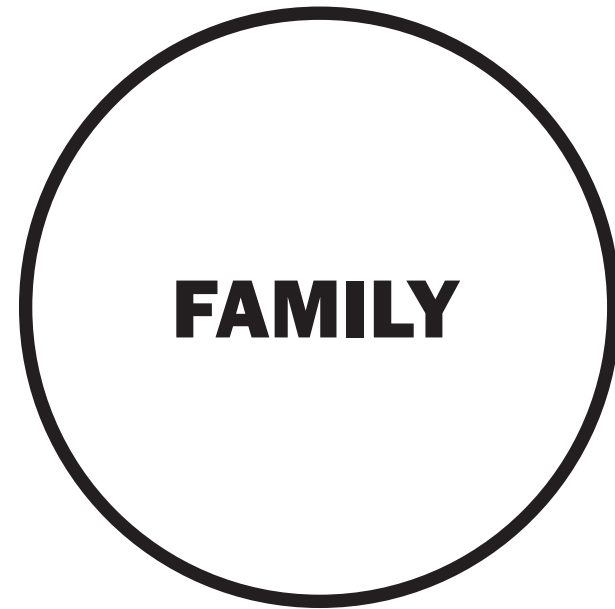
RESEARCH.

INTERVIEWS AND LITERATURE



PROGRAM.

OF REQUIREMENTS

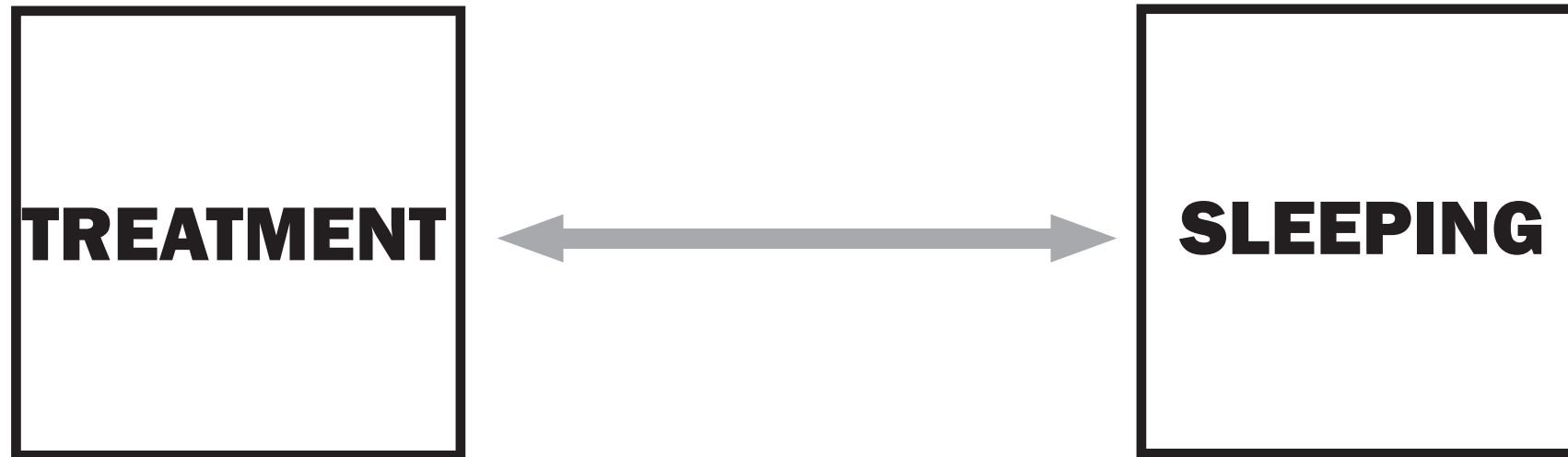


8 YOUNGSTERS
2 OR 3 SUPERVISORS
EVERY 3 WEEKS:
REPLACEMENT OF
1 OR 2 OR 3
YOUNGSTERS

CONCLUSION:
EXISTING FARM TOO SMALL

TREATMENT.

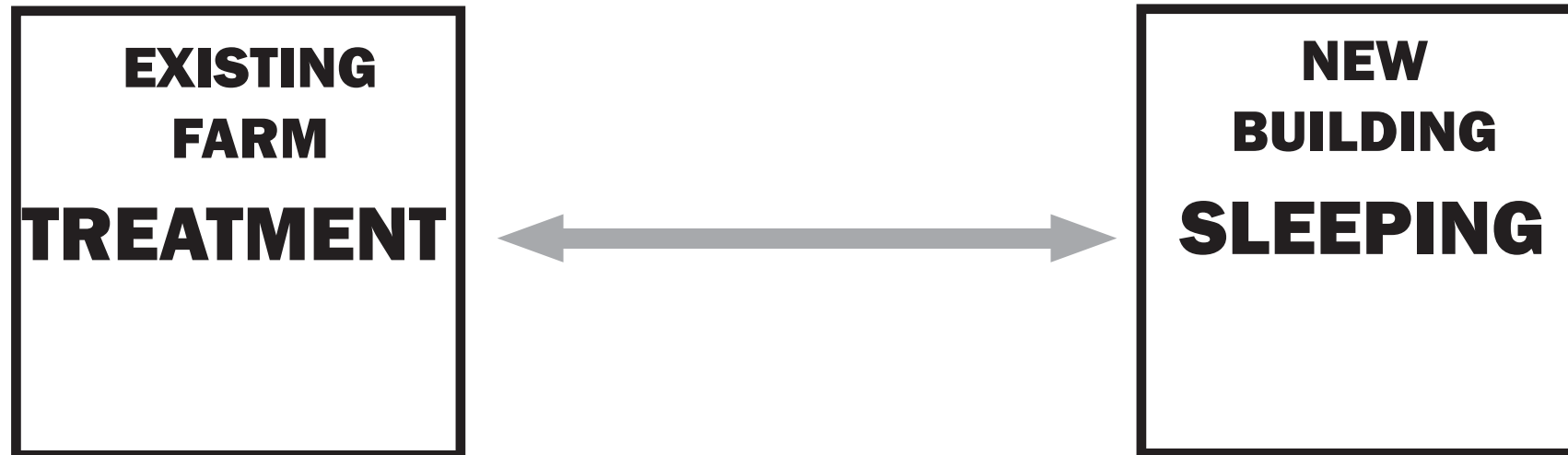
SEPARATION SLEEPING AND TREATMENT



**CONCLUSION:
TWO BUILDINGS**

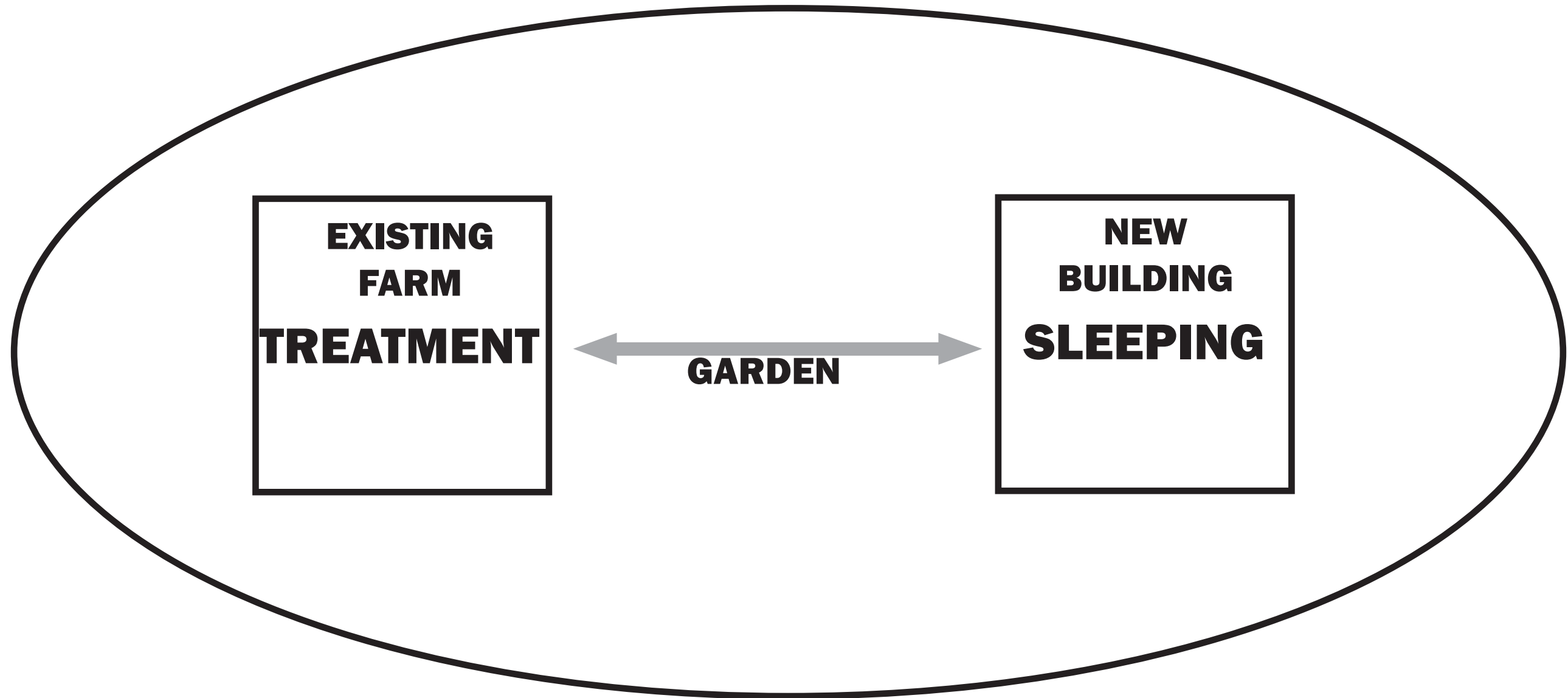
TREATMENT.

SEPARATION SLEEPING AND TREATMENT

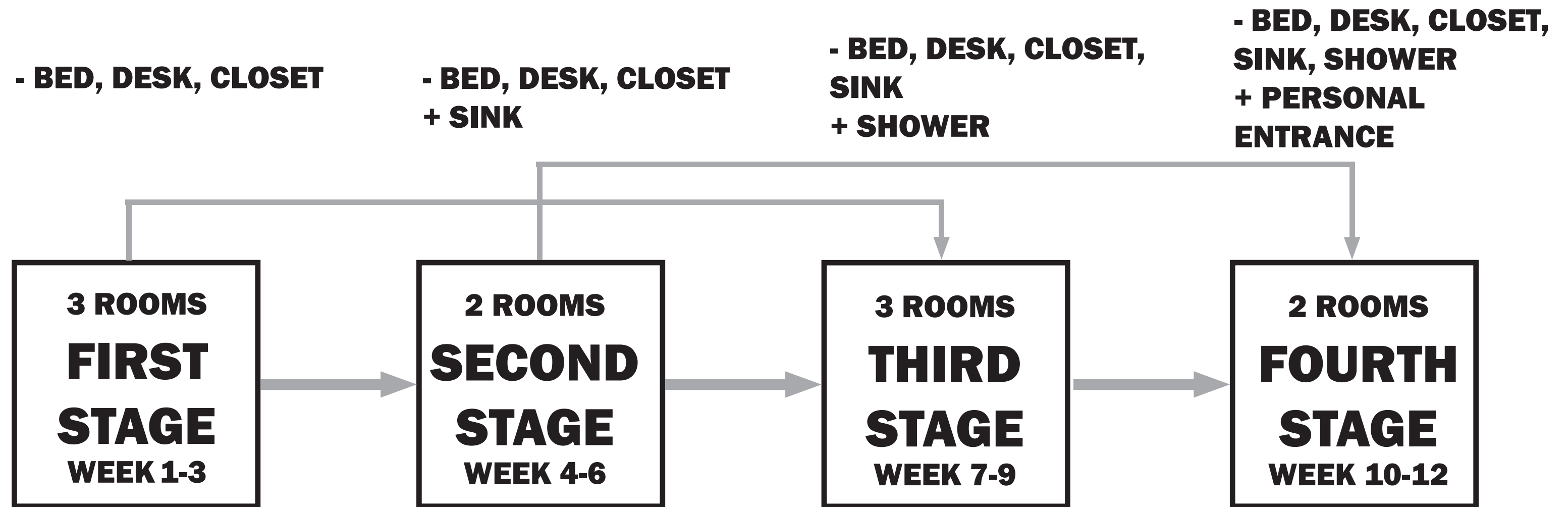


TREATMENT.

SEPARATION SLEEPING AND TREATMENT



REWARD PROGRAM.



PRIVATE COCOON. I

PERSONAL RETREAT



RESEARCH .

BY DESIGN

RESEARCH •

BY DESIGN



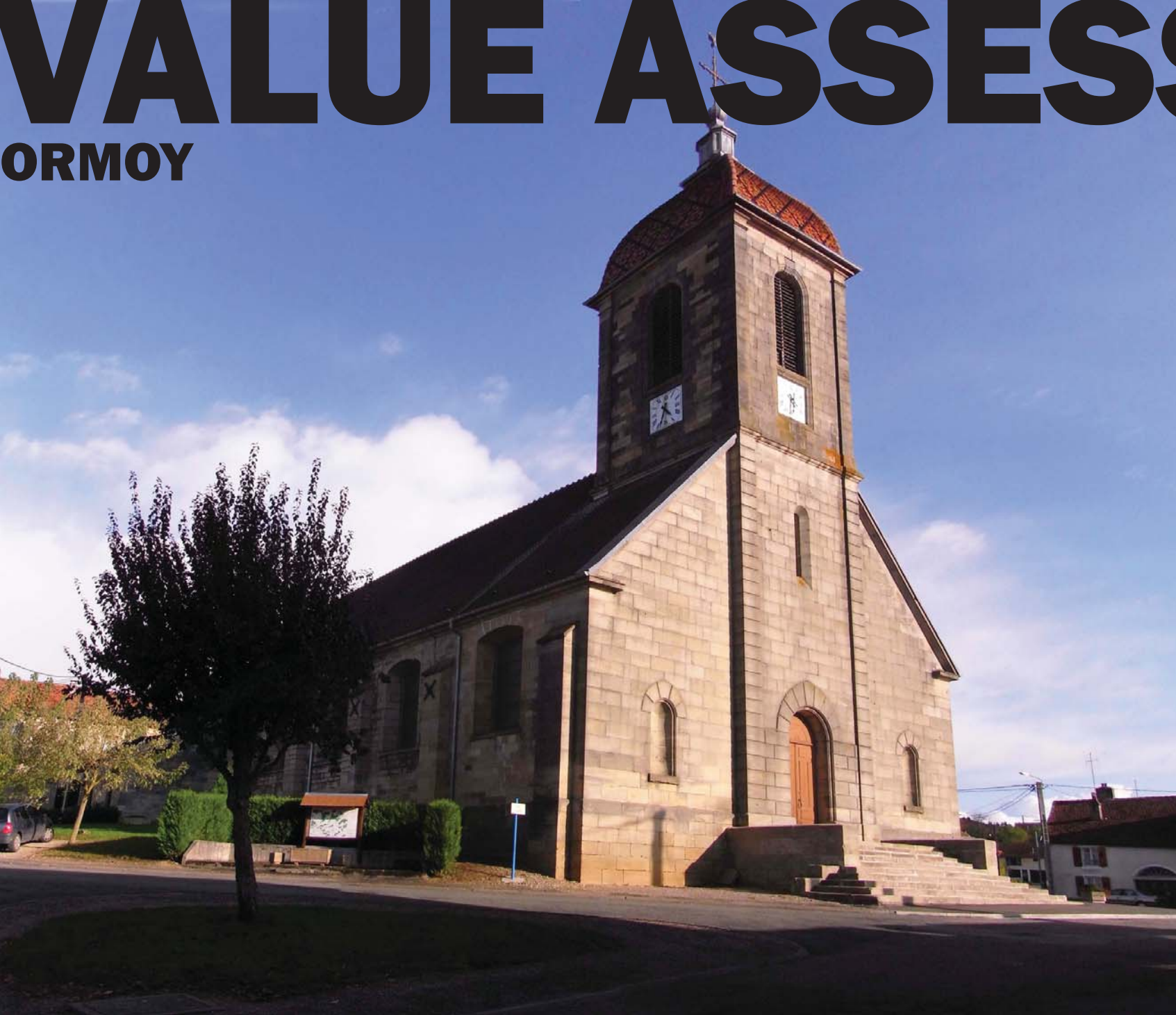
VALUE ASSESSMENT.

ORMOY AND SURROUNDINGS



VALUE ASSESSMENT.

ORMOY



VALUE ASSESSMENT.

PLOT



VALUE ASSESSMENT.

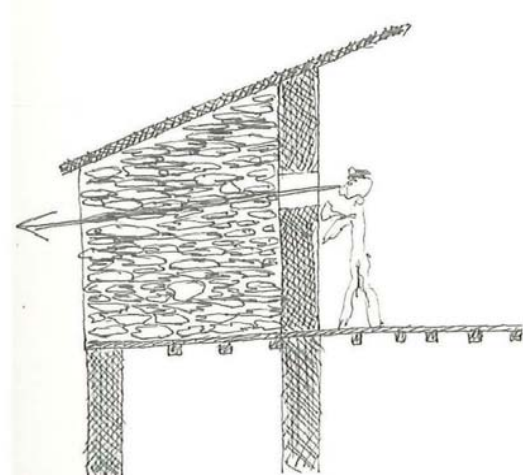
BUILDING



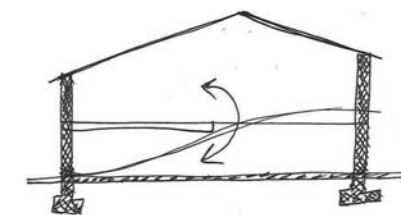
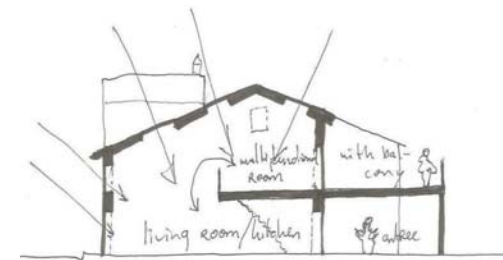
VALUE ASSESSMENT.

STARTING POINTS FROM EXISTING PLOT

Framed view



Light and air



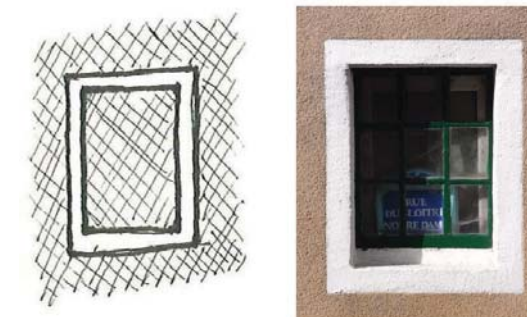
Keep the building impressive



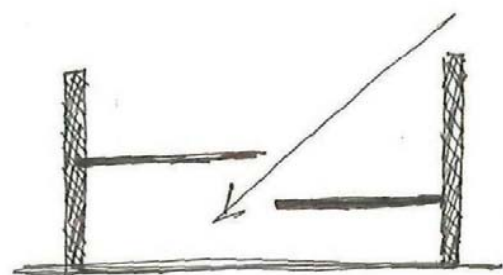
Guarantee locality of the building



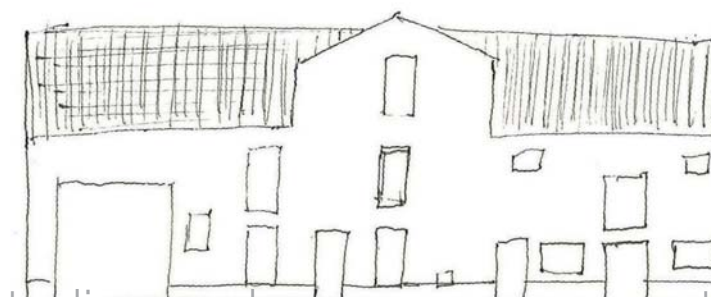
Frames



Split level



Functionality



VALUE ASSESSMENT.

TO PRESERVE

What to preserve

1. The front facade needs to be in place to keep locality
2. Roof needs to be replaced. Opportunity: to let more light enter the building.
3. Remove extension at the back
4. Backfacade may be removed, if necessary for program
5. The floors may be removed to make more free height



VALUE ASSESSMENT.

MATERIALS

STONE: PIERRE APPARENTES



VALUE ASSESSMENT.

MATERIALS
WOODEN BEAMS



VALUE ASSESSMENT.

MATERIALS
ROOFTILES

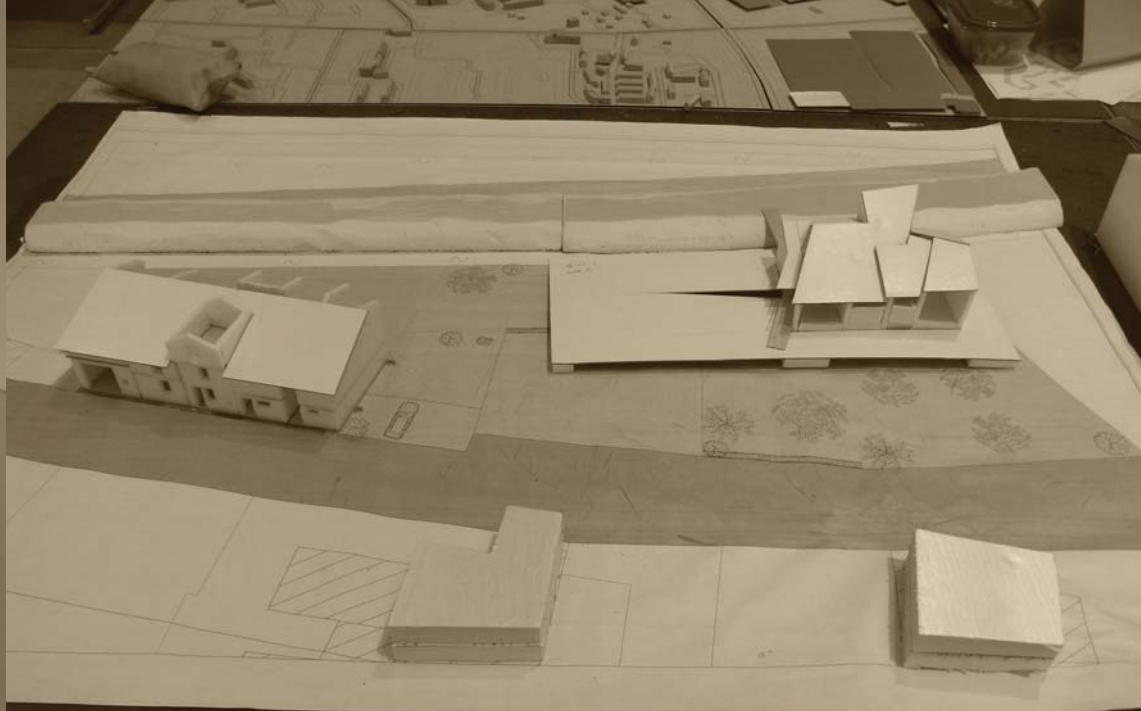
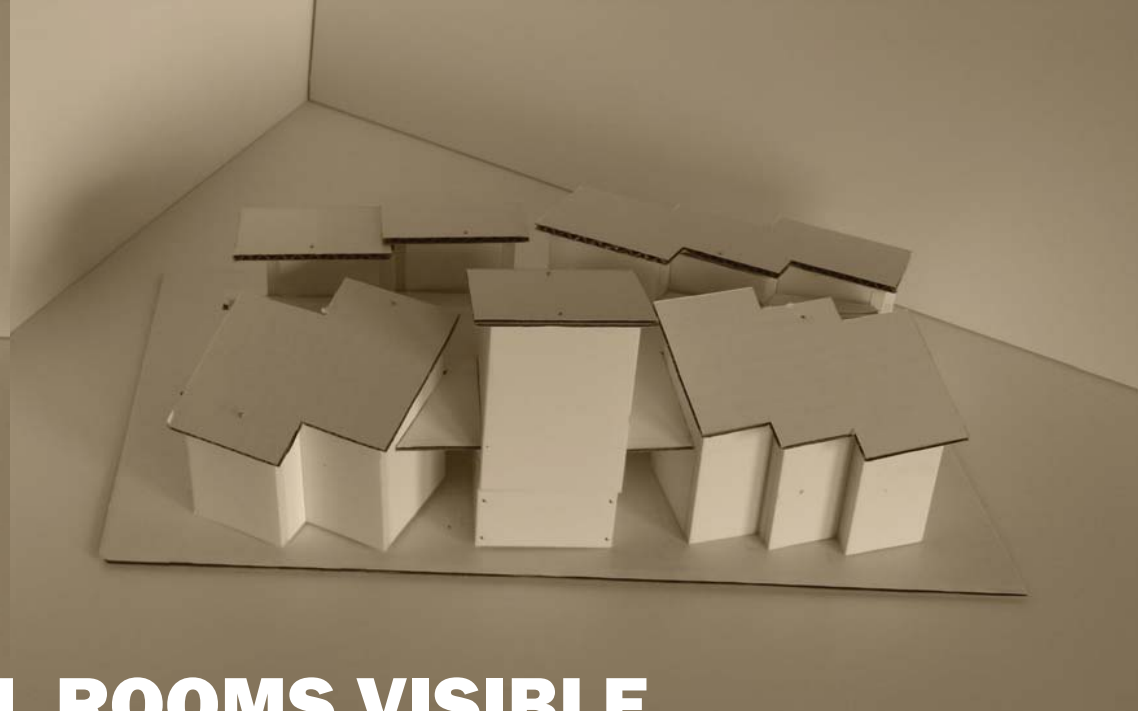
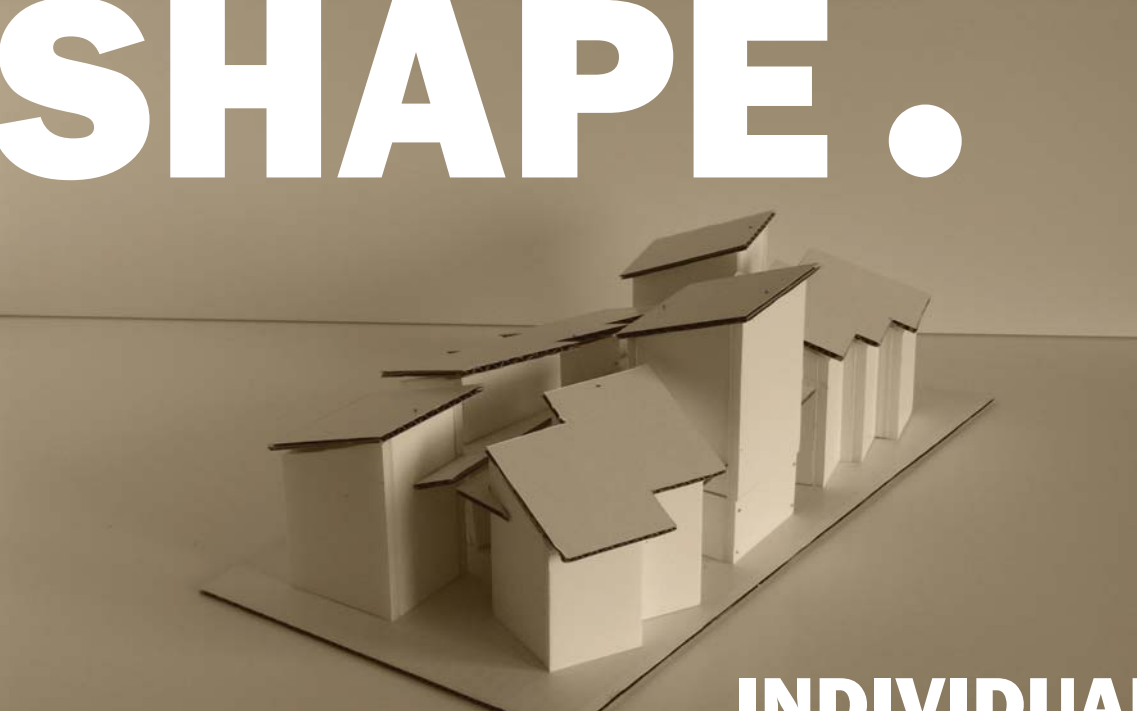


LOCATION.

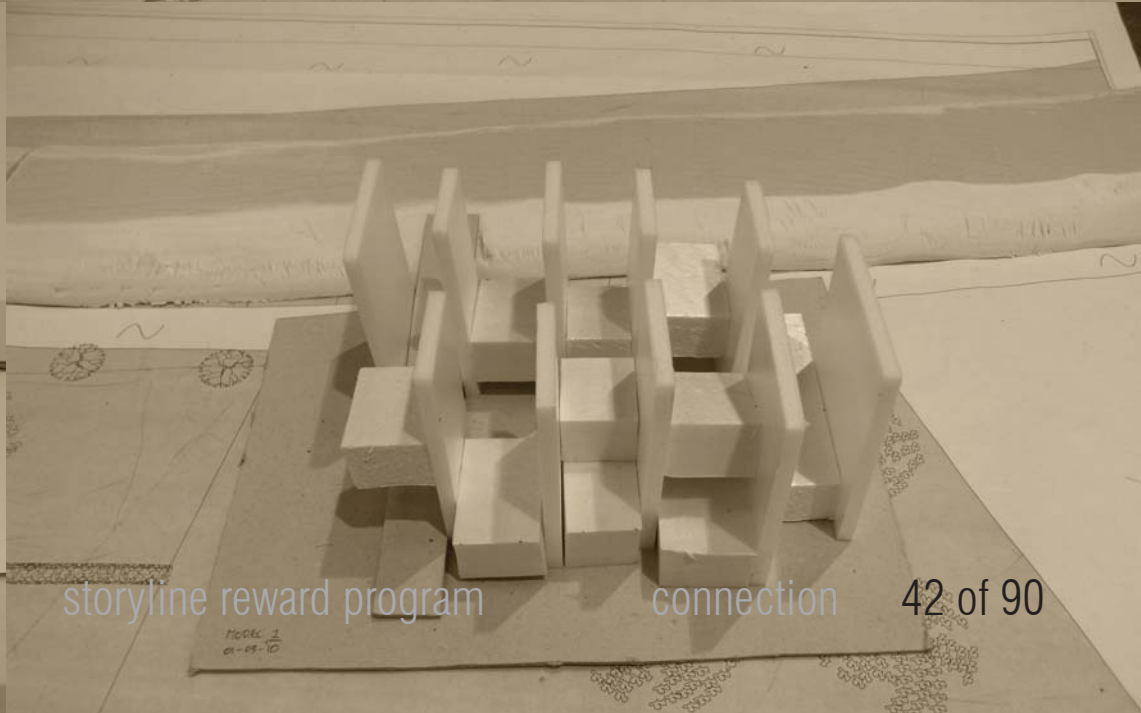
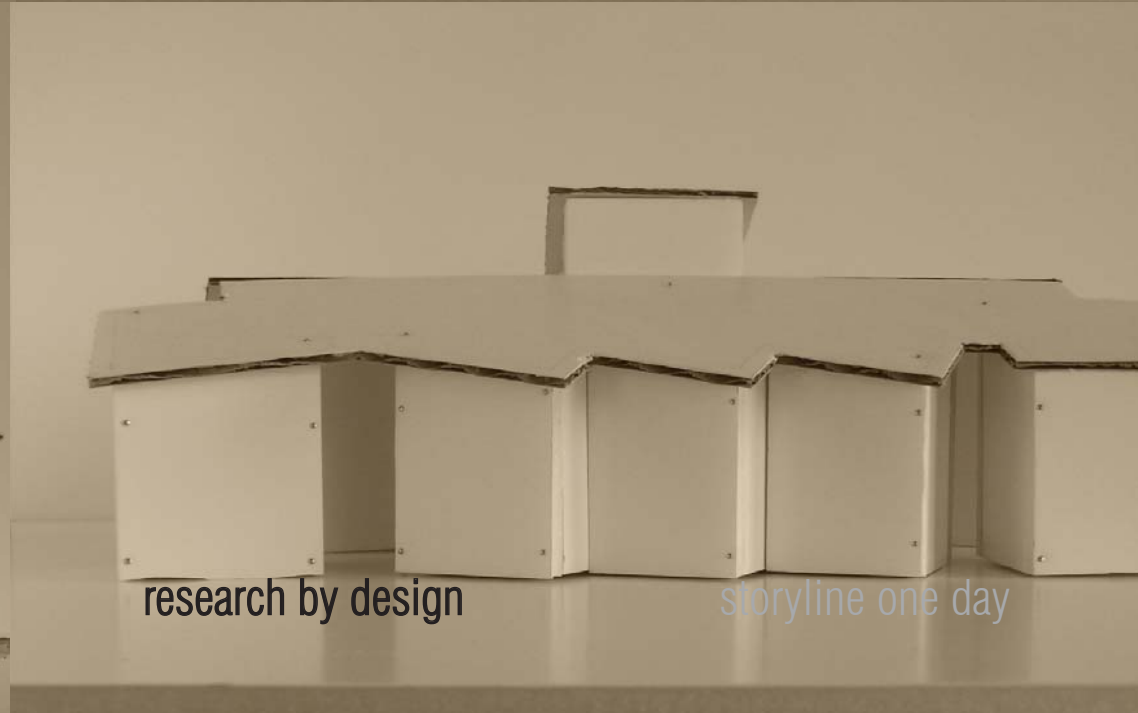
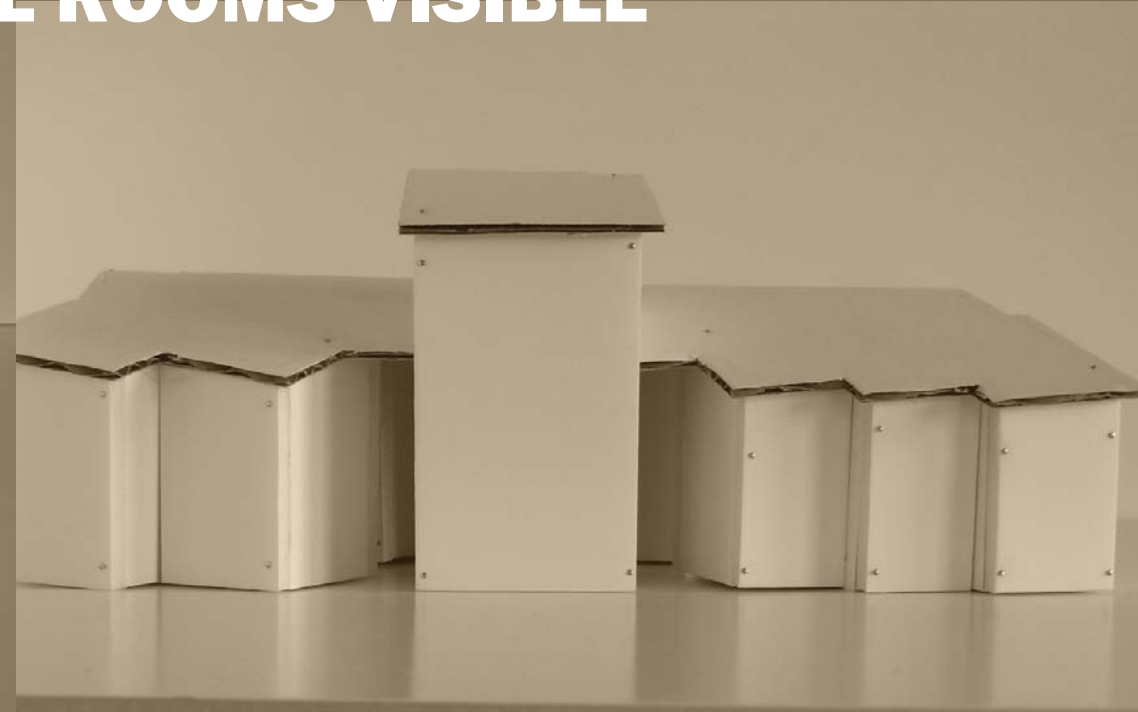
NEW BUILDING



SHAPE.



INDIVIDUAL ROOMS VISIBLE



Introduction

research interviews and literature

research by design

storyline one day

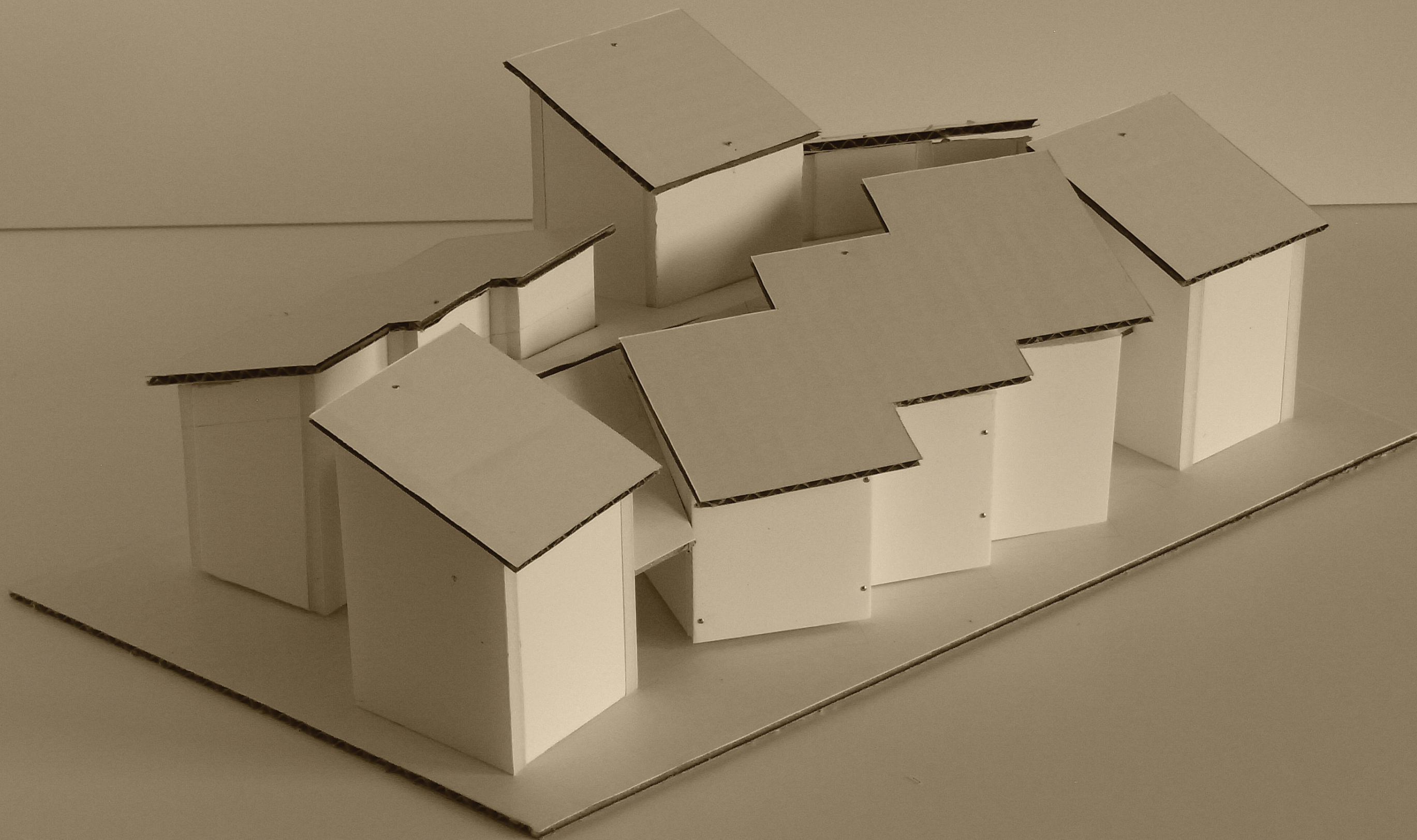
storyline reward program

connection

42 of 90

POSITIONING ROOMS .

IN REFERENCE TO EACH OTHER



STORYLINE.

TREATMENT

LAYOUT.

GROUND FLOOR

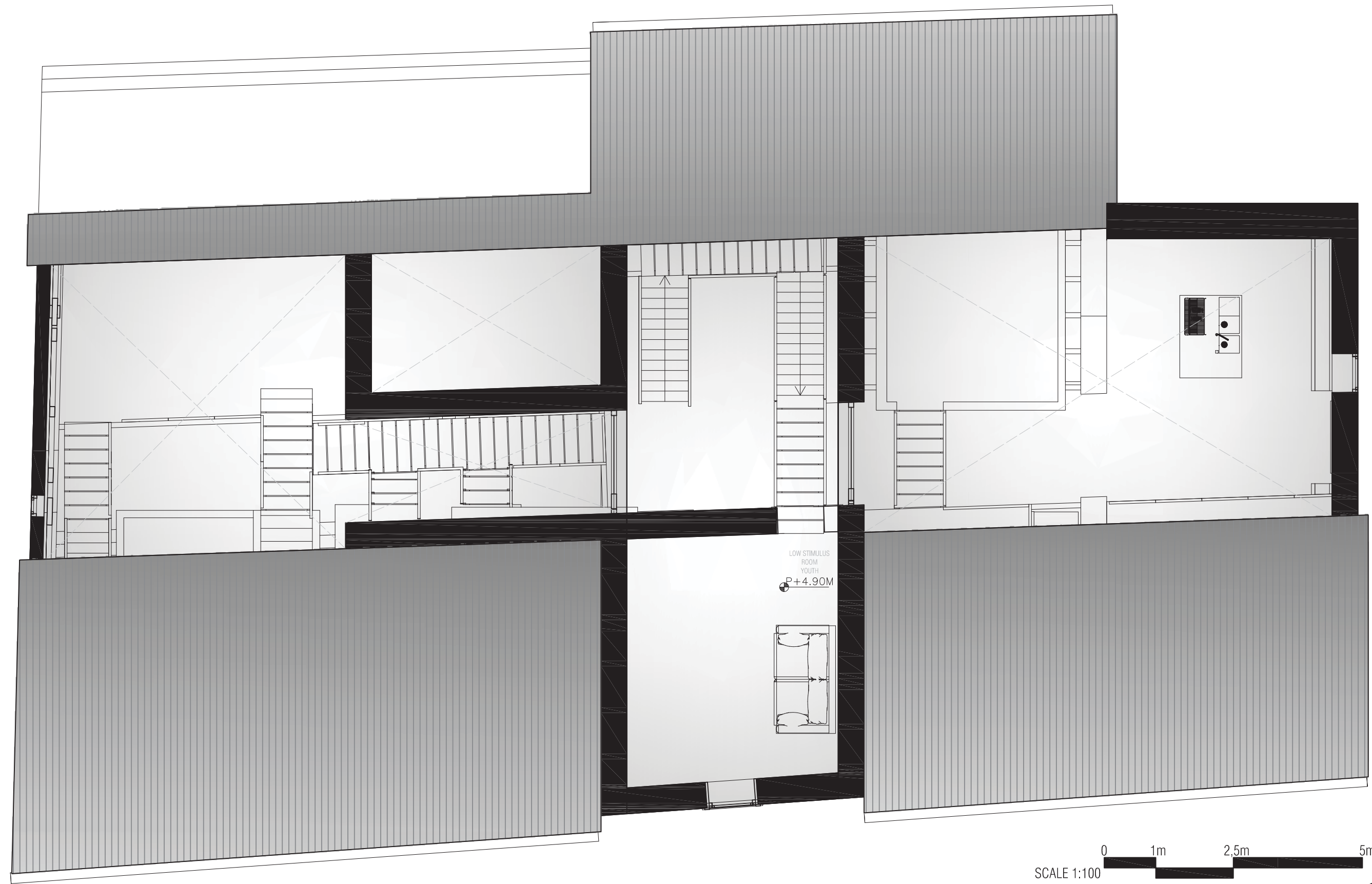


LAYOUT.

FIRST FLOOR



SCALE 1:100 0 1m 2.5m 5m



ARRIVAL.



ENTRANCE.



OVERVIEW.



RELAXING •



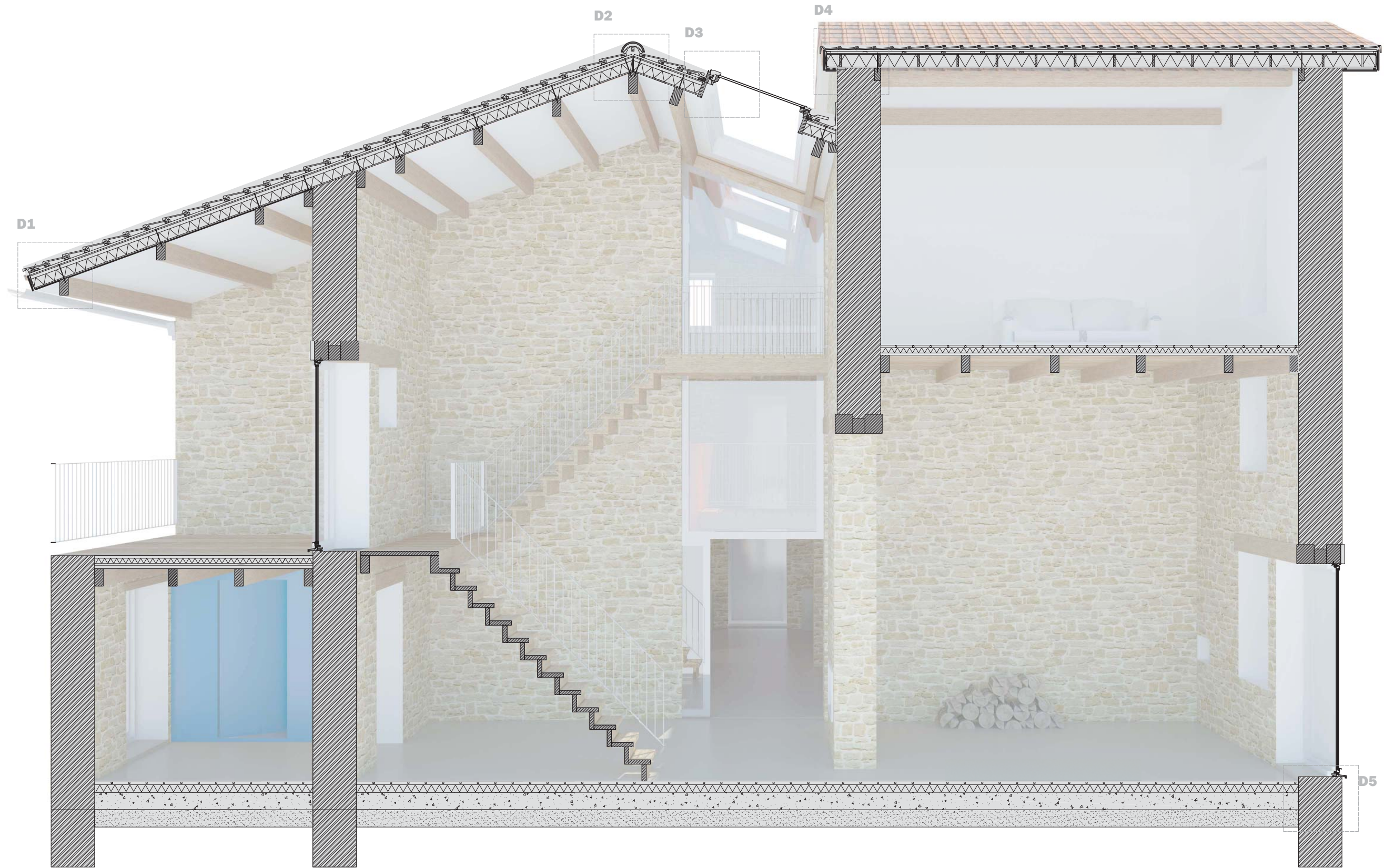
COOKING.



LARGE TABLE.



SECTION .



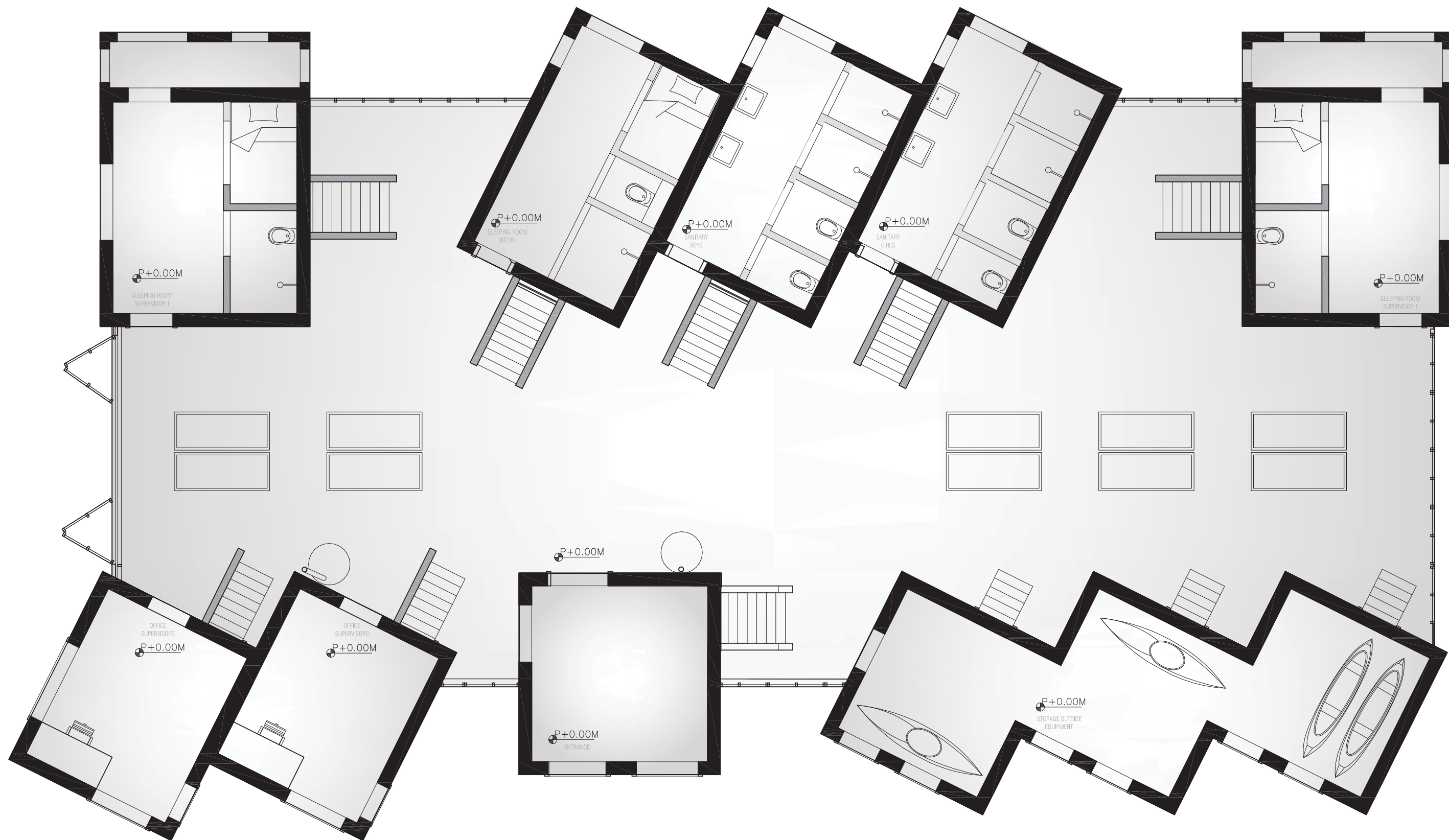
STORYLINE.

REWARD PROGRAM



LAYOUT.

GROUND FLOOR



LAYOUT.

FIRST FLOOR



LAYOUT.

SECOND FLOOR



STORYLINE.

REWARD PROGRAM



STORYLINE

REWARD PROGRAM



STORYLINE

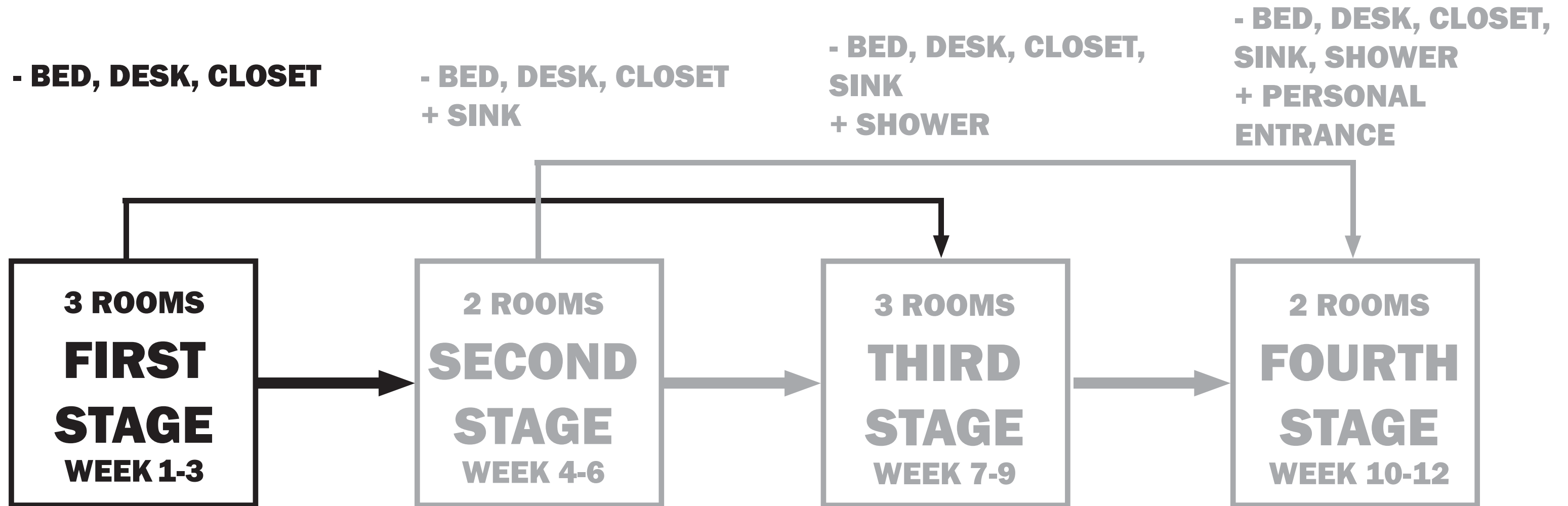
REWARD PROGRAM



TREATMENT.

ACTIVE ARCHITECTURE

FIRST ROOM



TREATMENT.

ACTIVE ARCHITECTURE

FIRST ROOM



FLOOR AREA:
BOX: 8 M²
TOTAL: 14 M²

HIGH BED:
SIZE: 2M²

VIEW:
CANAL

WINDOWS IN:
AMOUNT: 1
SURFACE: 1,2 M²

WINDOWS OUT:
AMOUNT: 3
SURFACE: 4,0 M²

ENTRANCE:
STAIRCASE
FROM BOX

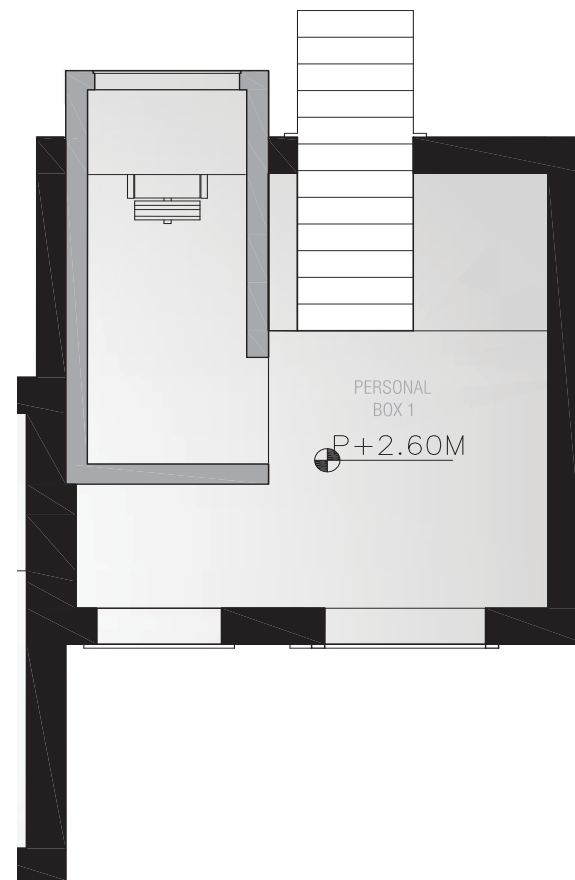
HEIGHT UNDER BOX:
2,4 M

SANITARY:
WASH BASIN
TOILET

TREATMENT.

ACTIVE ARCHITECTURE

FIRST ROOM



FLOOR AREA:
BOX: 8 M²
TOTAL: 14 M²

HIGH BED:
SIZE: 2M²

VIEW:
CANAL

WINDOWS IN:
AMOUNT: 1
SURFACE: 1,2 M²

WINDOWS OUT:
AMOUNT: 3
SURFACE: 4,0 M²

ENTRANCE:
STAIRCASE
FROM BOX

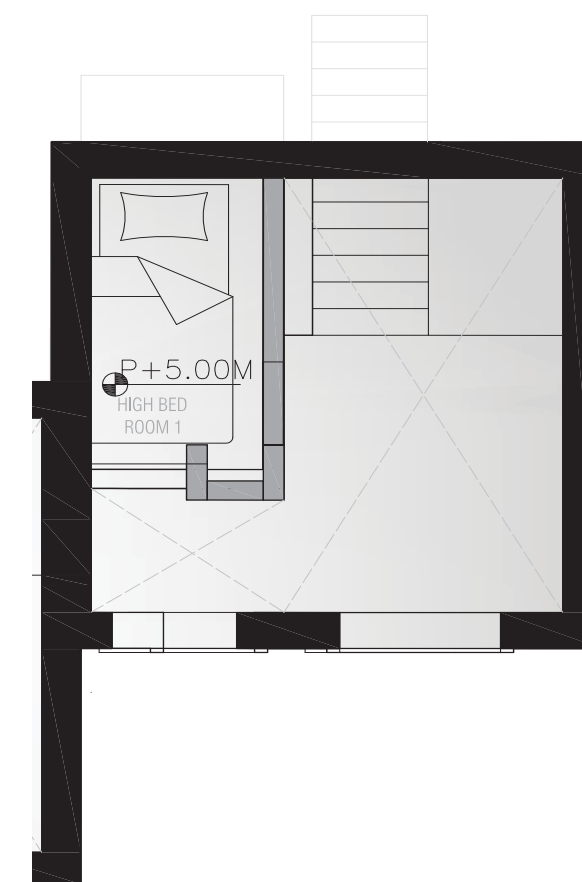
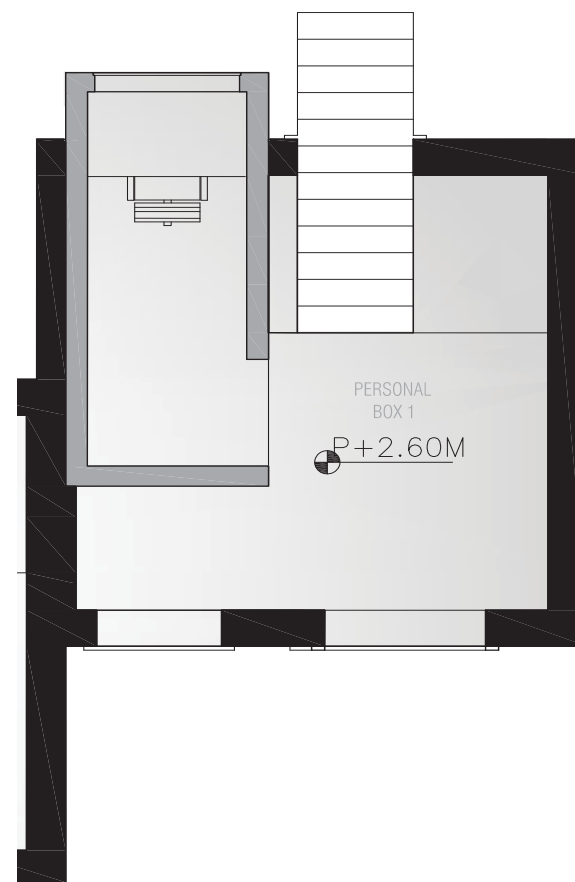
HEIGHT UNDER BOX:
2,4 M

SANITARY:
WASH BASIN
TOILET

TREATMENT.

ACTIVE ARCHITECTURE

FIRST ROOM



FLOOR AREA:
BOX: 8 M²
TOTAL: 14 M²

HIGH BED:
SIZE: 2M²

VIEW:
CANAL

WINDOWS IN:
AMOUNT: 1
SURFACE: 1,2 M²

WINDOWS OUT:
AMOUNT: 3
SURFACE: 4,0 M²

ENTRANCE:
STAIRCASE
FROM BOX

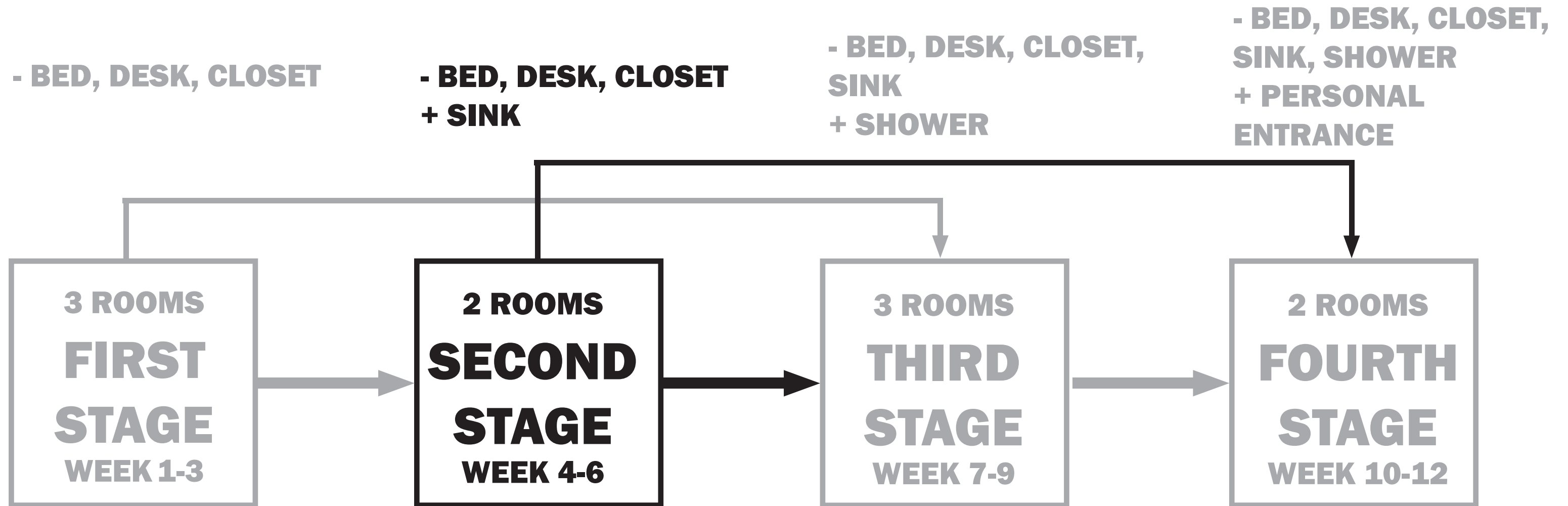
HEIGHT UNDER BOX:
2,4 M

SANITARY:
WASH BASIN
TOILET

TREATMENT.

ACTIVE ARCHITECTURE

SECOND ROOM



TREATMENT.

ACTIVE ARCHITECTURE

SECOND ROOM



FLOOR AREA:
BOX: 6 M²
TOTAL: 12 M²

HIGH BED:
SIZE: 3 M²

VIEW:
CANAL

WINDOWS IN:
AMOUNT: 1
SURFACE: 1,2 M²

WINDOWS OUT:
AMOUNT: 2
SURFACE: 3,0 M²

ENTRANCE:
SIMPLE STAIRCASE
BOX MERGING OUT

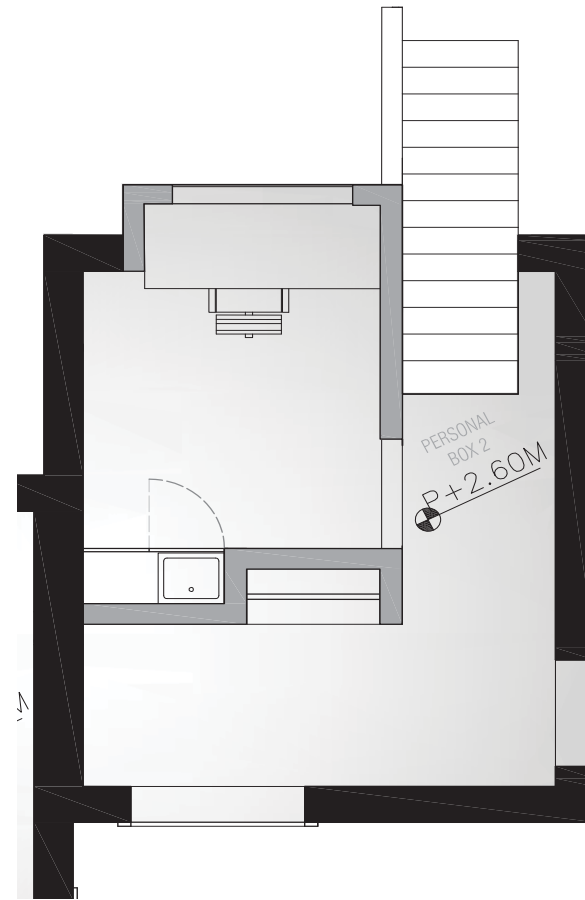
HEIGHT UNDER BOX:
2,2 M

SANITARY:
LOCKABLE
WASH BASIN

TREATMENT.

ACTIVE ARCHITECTURE

SECOND ROOM



FLOOR AREA:
BOX: 6 M²
TOTAL: 12 M²

HIGH BED:
SIZE: 3 M²

VIEW:
CANAL

WINDOWS IN:
AMOUNT: 1
SURFACE: 1,2 M²

WINDOWS OUT:
AMOUNT: 2
SURFACE: 3,0 M²

ENTRANCE:
SIMPLE STAIRCASE
BOX MERGING OUT

HEIGHT UNDER BOX:
2,2 M

SANITARY:
LOCKABLE
WASH BASIN

TREATMENT.

ACTIVE ARCHITECTURE

SECOND ROOM



FLOOR AREA:
BOX: 6 M²
TOTAL: 12 M²

HIGH BED:
SIZE: 3 M²

VIEW:
CANAL

WINDOWS IN:
AMOUNT: 1
SURFACE: 1,2 M²

WINDOWS OUT:
AMOUNT: 2
SURFACE: 3,0 M²

ENTRANCE:
SIMPLE STAIRCASE
BOX MERGING OUT

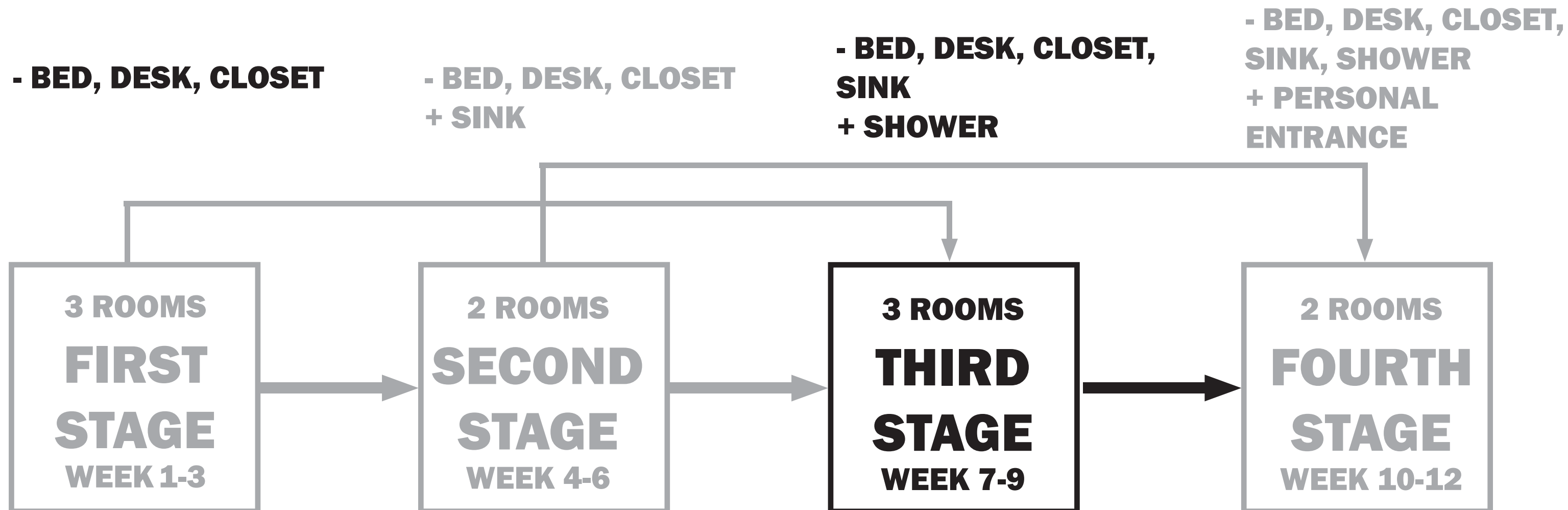
HEIGHT UNDER BOX:
2,2 M

SANITARY:
LOCKABLE
WASH BASIN

TREATMENT.

ACTIVE ARCHITECTURE

THIRD ROOM



TREATMENT.

ACTIVE ARCHITECTURE

THIRD ROOM



FLOOR AREA:
BOX: 8 M²
TOTAL: 14 M²

HIGH BED:
SIZE: 4M²

VIEW:
CANAL

WINDOWS IN:
AMOUNT: 2
SURFACE: 2,4 M²

WINDOWS OUT:
AMOUNT: 3
SURFACE: 4,0 M²

ENTRANCE:
STAIRCASE
BOX MERGING OUT

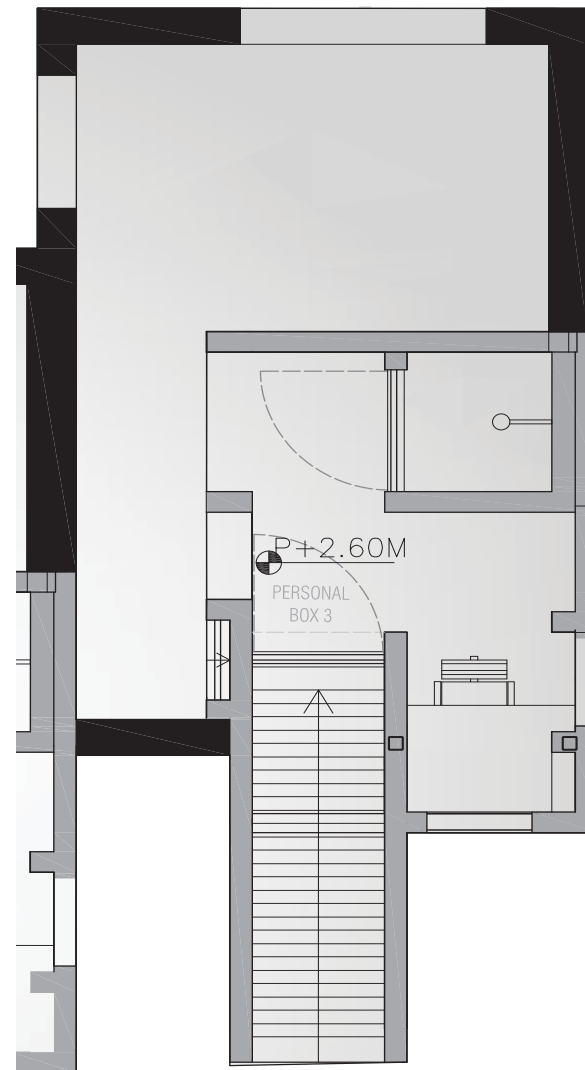
HEIGHT UNDER BOX:
2,4 M

SANITARY:
WASH BASIN
TOILET

TREATMENT.

ACTIVE ARCHITECTURE

THIRD ROOM



FLOOR AREA:
BOX: 8 M²
TOTAL: 14 M²

HIGH BED:
SIZE: 4M²

VIEW:
CANAL

WINDOWS IN:
AMOUNT: 2
SURFACE: 2,4 M²

WINDOWS OUT:
AMOUNT: 3
SURFACE: 4,0 M²

ENTRANCE:
STAIRCASE
BOX MERGING OUT

HEIGHT UNDER BOX:
2,4 M

SANITARY:
WASH BASIN
TOILET

TREATMENT.

ACTIVE ARCHITECTURE

THIRD ROOM



FLOOR AREA:
BOX: 8 M²
TOTAL: 14 M²

HIGH BED:
SIZE: 4M²

VIEW:
CANAL

WINDOWS IN:
AMOUNT: 2
SURFACE: 2,4 M²

WINDOWS OUT:
AMOUNT: 3
SURFACE: 4,0 M²

ENTRANCE:
STAIRCASE
BOX MERGING OUT

HEIGHT UNDER BOX:
2,4 M

SANITARY:
WASH BASIN
TOILET

Introduction

research interviews and literature

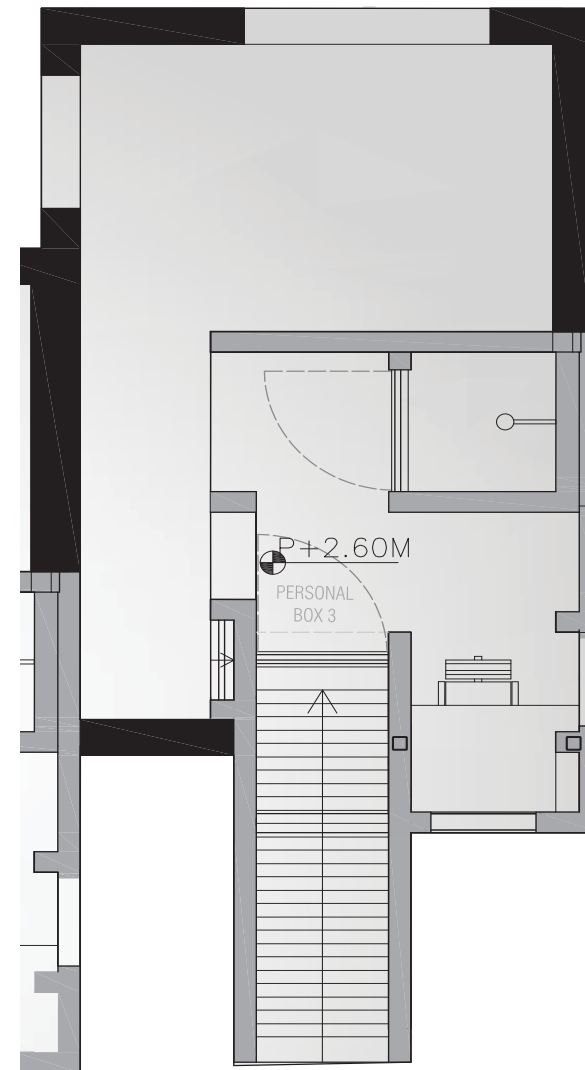
research by design

storyline one day

storyline reward program

connection

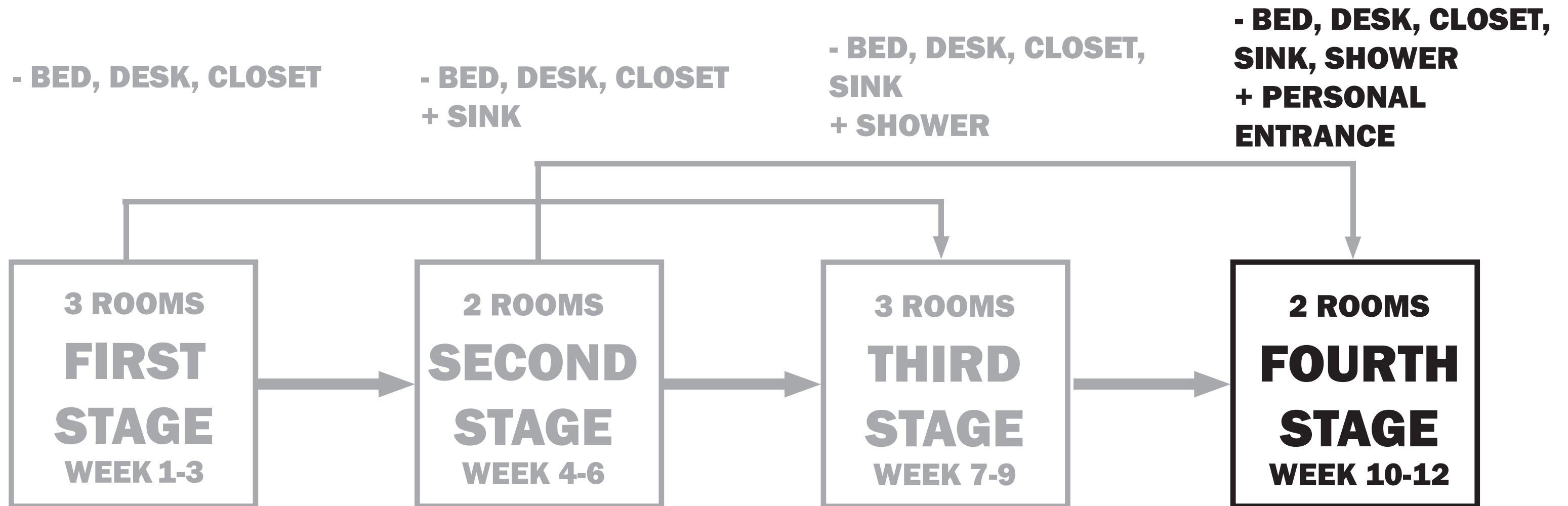
75 of 90



TREATMENT.

ACTIVE ARCHITECTURE

LAST ROOM



TREATMENT.

ACTIVE ARCHITECTURE

LAST ROOM



FLOOR AREA:
BOX: 12 M²
TOTAL: 19 M²

HIGH BED:
SIZE: 5 M²

VIEW:
CANAL

WINDOWS IN:
AMOUNT: 2
SURFACE: 2,4 M²

WINDOWS OUT:
AMOUNT: 5
SURFACE: 5,2 M²

ENTRANCE:
COVERED STAIRCASE
BOX MERGING OUT

HEIGHT UNDER BOX:
2,6 M

SANITARY:
WASH BASIN
TOILET
SHOWER

Introduction

research interviews and literature

research by design

storyline one day

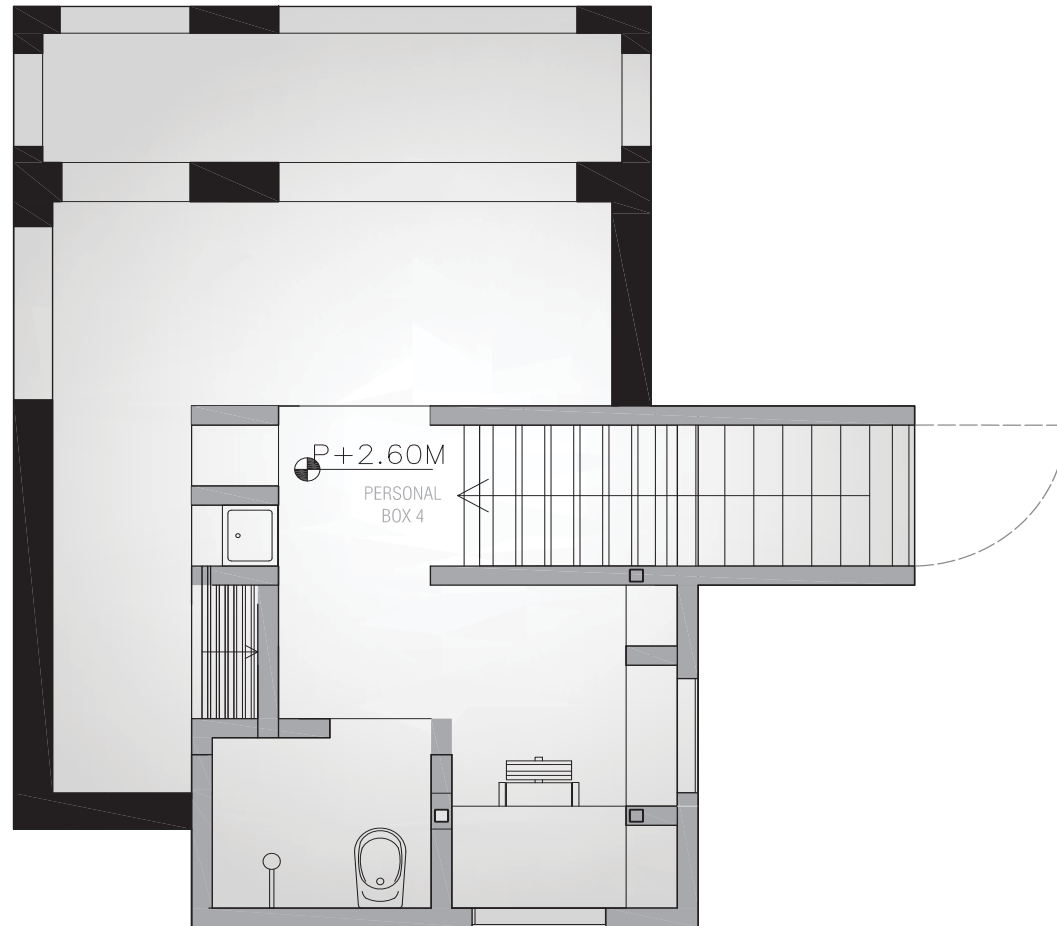
storyline reward program

connection 77 of 90

TREATMENT.

ACTIVE ARCHITECTURE

LAST ROOM



FLOOR AREA:
BOX: 12 M²
TOTAL: 19 M²

HIGH BED:
SIZE: 5 M²

VIEW:
CANAL

WINDOWS IN:
AMOUNT: 2
SURFACE: 2,4 M²

WINDOWS OUT:
AMOUNT: 5
SURFACE: 5,2 M²

ENTRANCE:
COVERED STAIRCASE
BOX MERGING OUT

HEIGHT UNDER BOX:
2,6 M

SANITARY:
WASH BASIN
TOILET
SHOWER

Introduction

research interviews and literature

research by design

storyline one day

storyline reward program

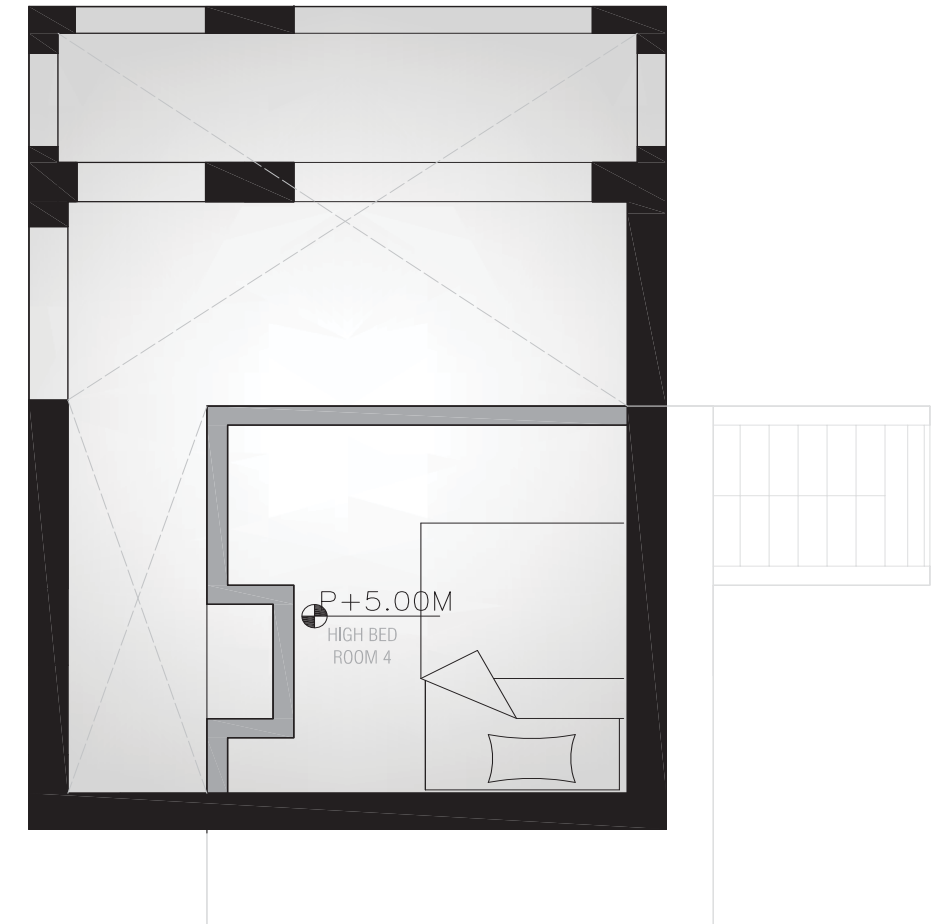
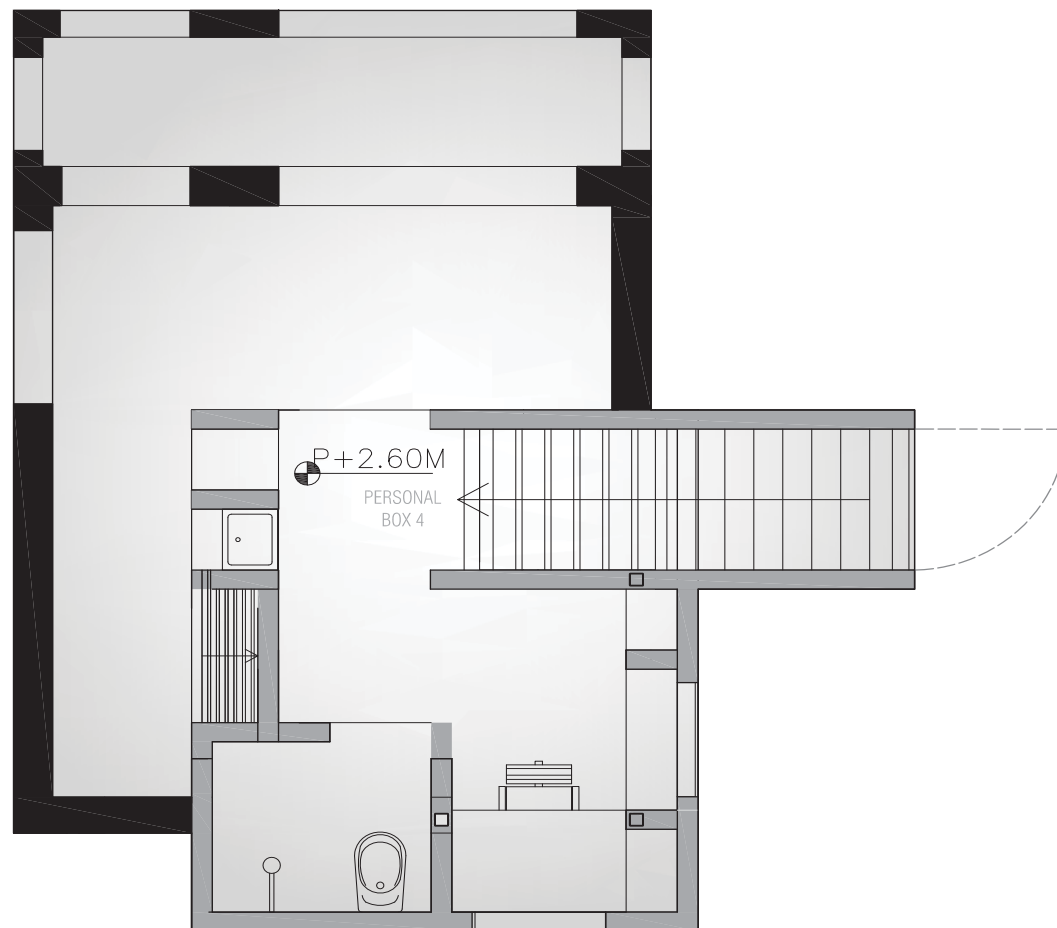
connection

78 of 90

TREATMENT.

ACTIVE ARCHITECTURE

LAST ROOM



FLOOR AREA:
BOX: 12 M²
TOTAL: 19 M²

HIGH BED:
SIZE: 5 M²

VIEW:
CANAL

WINDOWS IN:
AMOUNT: 2
SURFACE: 2,4 M²

WINDOWS OUT:
AMOUNT: 5
SURFACE: 5,2 M²

ENTRANCE:
COVERED STAIRCASE
BOX MERGING OUT

HEIGHT UNDER BOX:
2,6 M

SANITARY:
WASH BASIN
TOILET
SHOWER

Introduction

research interviews and literature

research by design

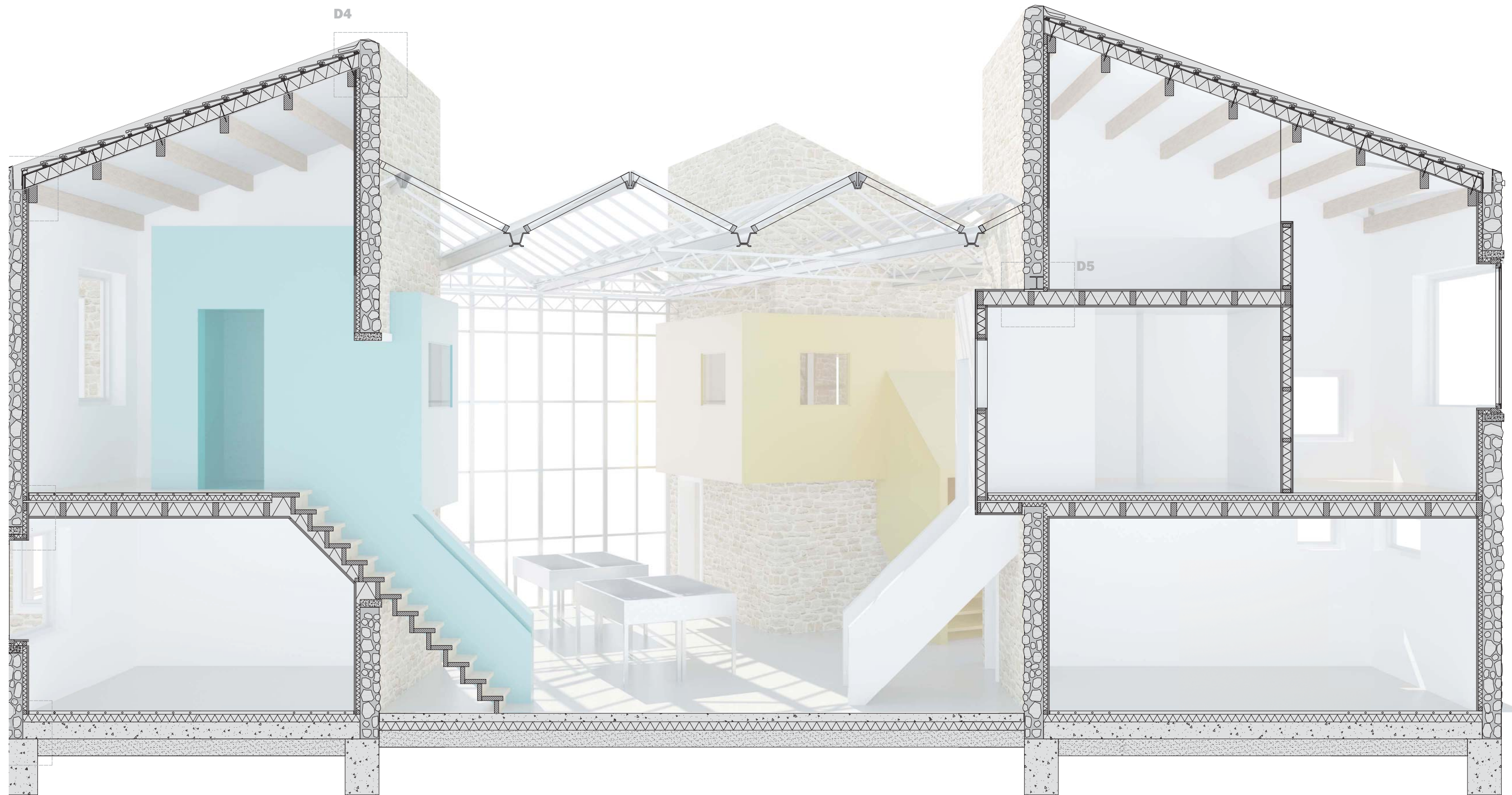
storyline one day

storyline reward program

connection

79 of 90

SECTION.



CONNECTION.

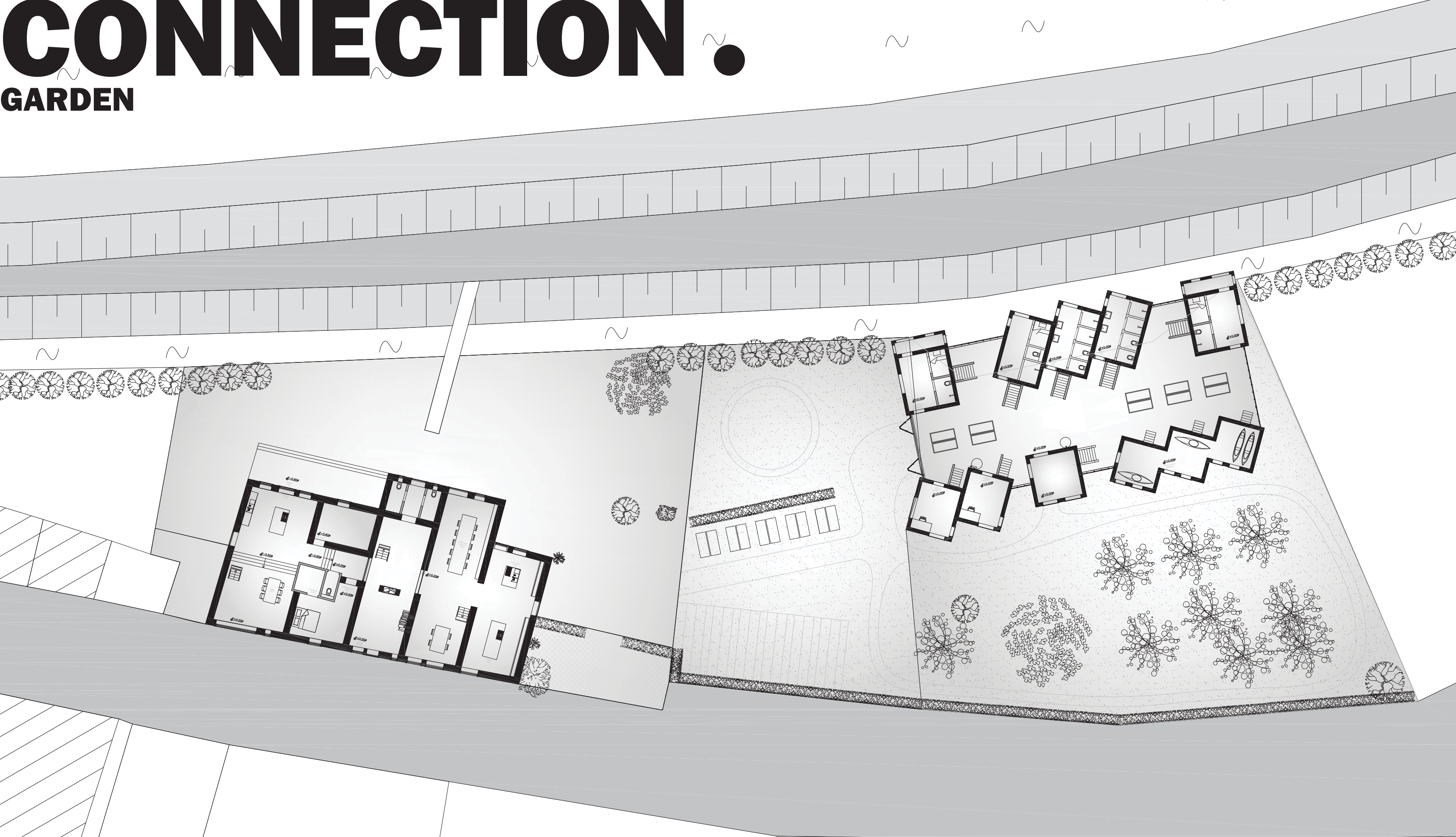
CONNECTION.

GARDEN



CONNECTION.

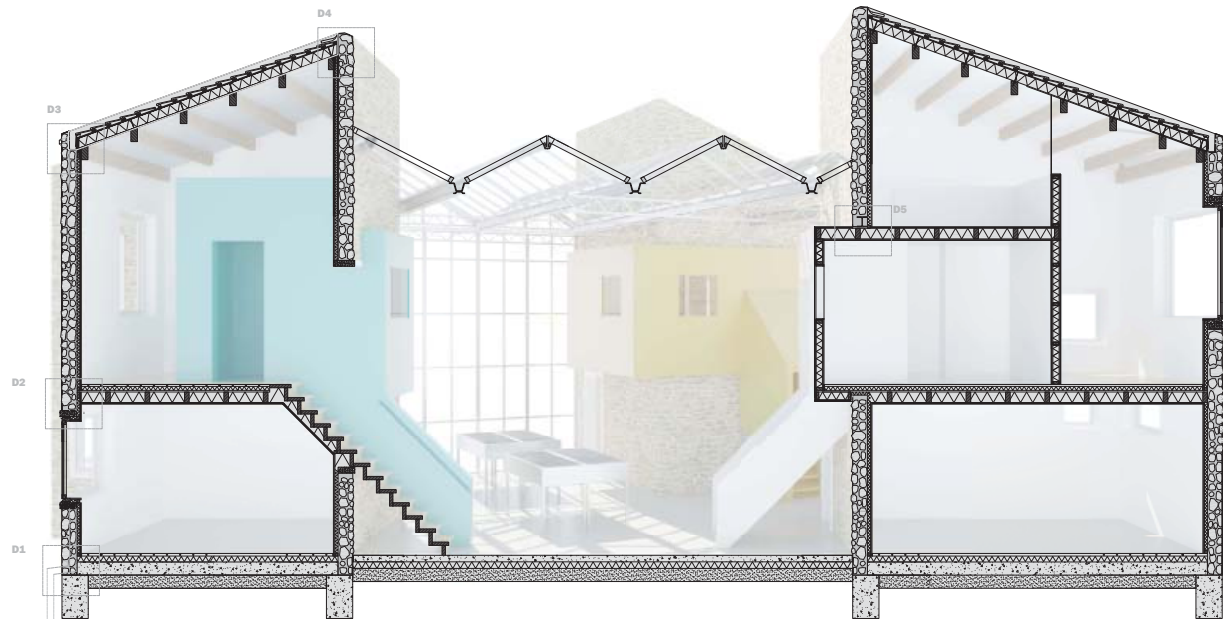
GARDEN



CONNECTION .

SKYLIGHT

SLEEPING BUILDING .
SECTION 1:20



TREATMENT BUILDING .
SECTION 1:20



CONNECTION

BOXES



[Introduction](#)

[research interviews and literature](#)

[research by design](#)



[storyline one day](#)

[storyline reward program](#)

connection

86 of 90

CONNECTION.

MATERIALIZATION



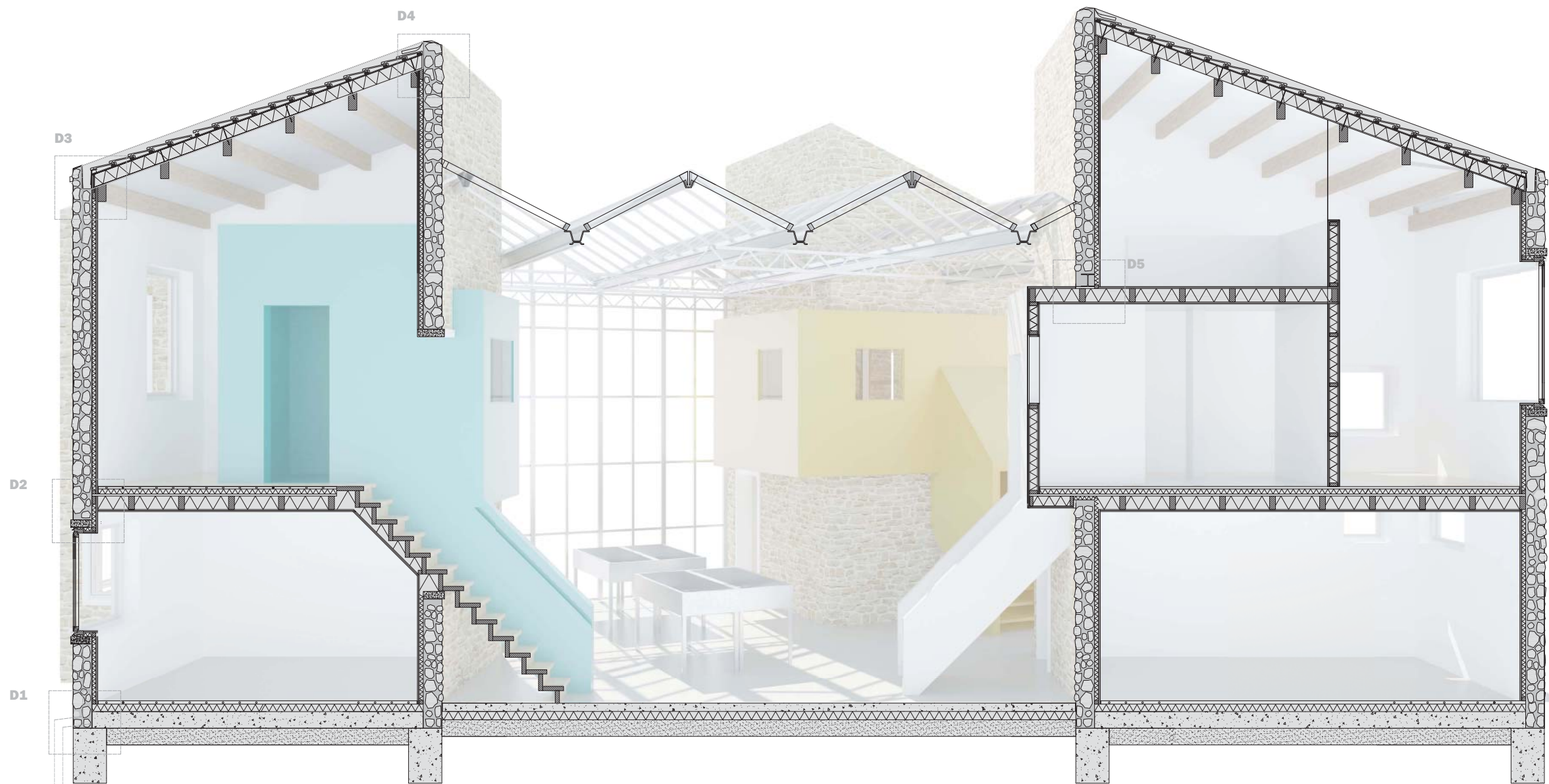




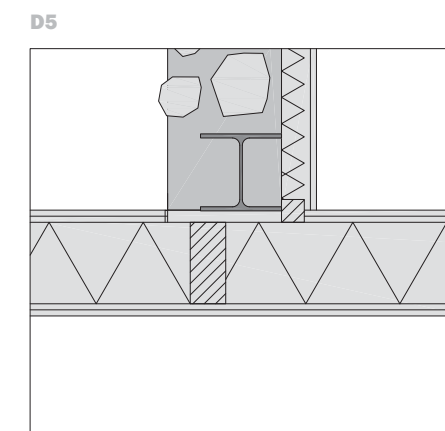
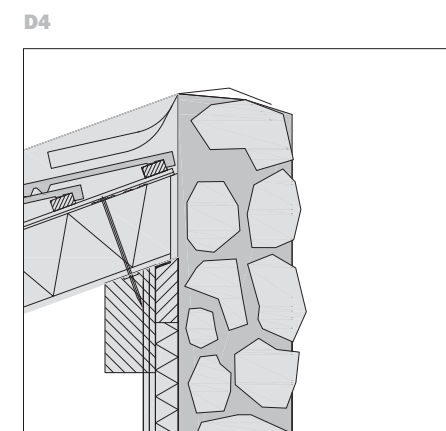
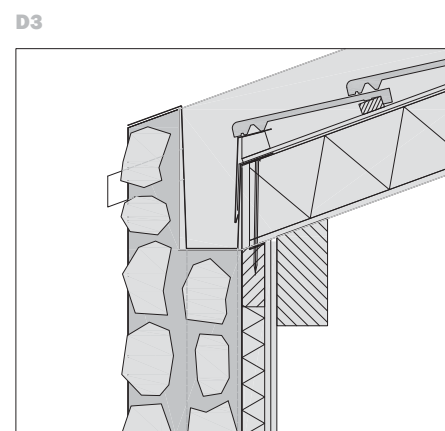
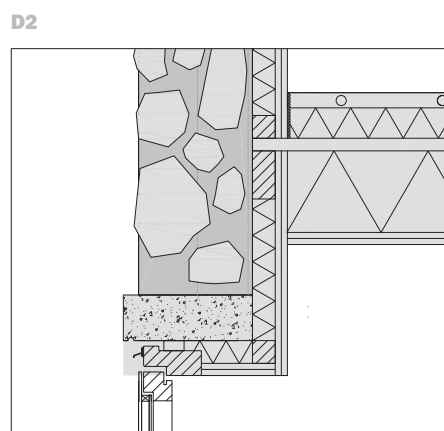
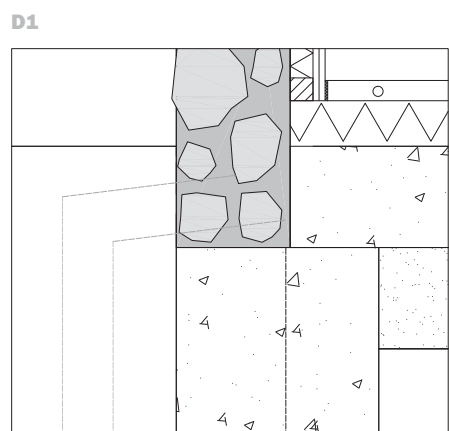
DESIGNING FOR MALADJUSTED YOUTH. USING A REWARD PROGRAM.



SECTION.



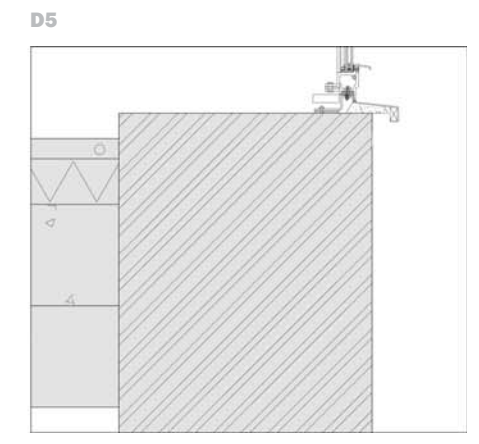
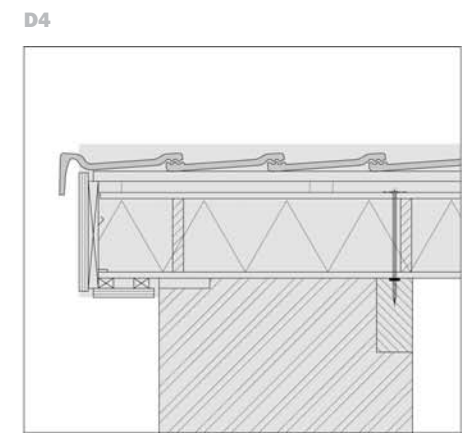
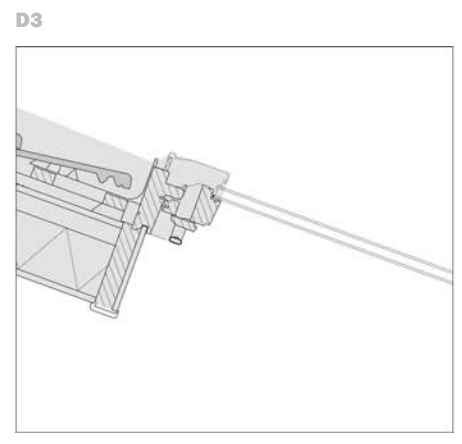
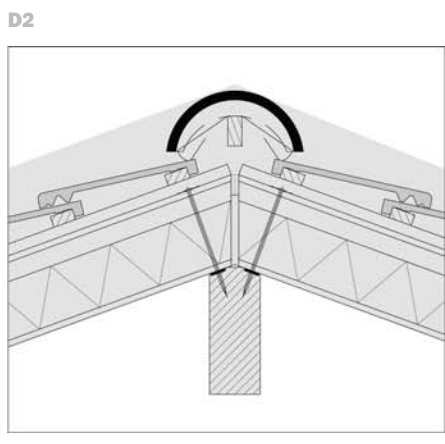
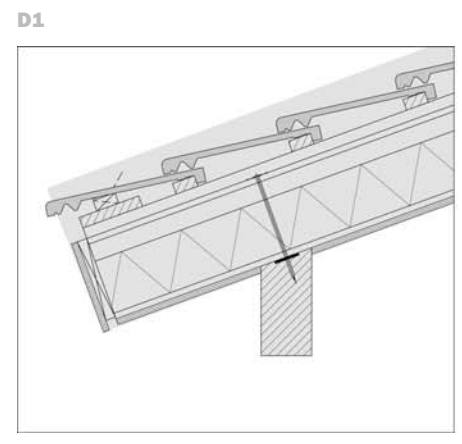
DETAILS 1:5



SECTION.



DETAILS 1:5



BUILDING ORDER.

