

**Air-based contactless wafer precision positioning system
Contactless sensing using charge coupled devices**

Hooijschuur, R.H.T.; Saikumar, Niranjana; HosseinNia, S. Hassan; van Ostayen, Ron A.J.

DOI

[10.1177/13506501221132104](https://doi.org/10.1177/13506501221132104)

Publication date

2022

Document Version

Final published version

Published in

Proceedings of the Institution of Mechanical Engineers, Part J: Journal of Engineering Tribology

Citation (APA)

Hooijschuur, R. H. T., Saikumar, N., HosseinNia, S. H., & van Ostayen, R. A. J. (2022). Air-based contactless wafer precision positioning system: Contactless sensing using charge coupled devices. *Proceedings of the Institution of Mechanical Engineers, Part J: Journal of Engineering Tribology*, 237(2023)(6), 1276-1288. <https://doi.org/10.1177/13506501221132104>

Important note

To cite this publication, please use the final published version (if applicable).
Please check the document version above.

Copyright

Other than for strictly personal use, it is not permitted to download, forward or distribute the text or part of it, without the consent of the author(s) and/or copyright holder(s), unless the work is under an open content license such as Creative Commons.

Takedown policy

Please contact us and provide details if you believe this document breaches copyrights.
We will remove access to the work immediately and investigate your claim.

Green Open Access added to TU Delft Institutional Repository

'You share, we take care!' - Taverne project

<https://www.openaccess.nl/en/you-share-we-take-care>

Otherwise as indicated in the copyright section: the publisher is the copyright holder of this work and the author uses the Dutch legislation to make this work public.

Air-based contactless wafer precision positioning system: Contactless sensing using charge coupled devices

Proc IMechE Part J:
J Engineering Tribology
1–13
© IMechE 2022
Article reuse guidelines:
sagepub.com/journals-permissions
DOI: 10.1177/13506501221132104
journals.sagepub.com/home/pij



Rico H.T. Hooijschuur, Niranjan Saikumar ,
S. Hassan HosseinNia and Ron A.J. van Ostayen

Abstract

This paper presents the development of a contactless sensing system and the dynamic evaluation of an air-bearing based precision wafer positioning system. The contactless positioning stage is a response to the trend seen in the high-tech industry, where the substrates are becoming thinner and larger to reduce the cost and increase the yield. Using contactless handling it is possible to avoid damage and contamination. The system works by floating the substrate on a thin film of air. A viscous traction force is created on the substrate by steering the airflow. A cascaded control design structure has been implemented to the contactless positioning system, where the Inner Loop Controller (ILC) controls the actuator which steers the airflow and the Outer Loop Controller (OLC) controls the position of the substrate by controlling the reference of the ILC. The dynamics of the ILC are evaluated and optimized for the performance of the positioning of the substrate. The vibration disturbances are also handled by the ILC. The bandwidth of the system has been improved to 300 Hz. For the OLC a linear charge-coupled device has been implemented as a contactless sensor. The performance of the sensing system has been analyzed. During control in steady state, this resulted in a position error of the substrate of 12.9 μm RMS, which is a little more as two times the resolution. The bandwidth of the OLC is approaching 10 Hz.

Keywords

Air-bearing, precision positioning,

Date received: 12 January 2022; accepted: 15 August 2022

Introduction

In the high tech industry products such as displays, solar panels and chips are produced. These products are made out of brittle materials where the thickness is an important factor. The thickness of the raw material is a factor in the total costs. Also, the efficiency of the production process can be increased by increasing the size of the substrates. This is why there was a trend where the substrates increased in size while decreasing in thickness.¹ However, this trend came to a halt due to the percentage of damaged and broken wafers during the manufacturing process.

A possible solution is to handle the products without mechanical contact, floating the substrate on a layer of air. This type of air-based levitation is known from air bearing technology, where pressurized air forms a thin air film that separates the two surfaces. This concept is an alternative to mechanical contact, where friction, stick-slip, and wear have to be minimized. Furthermore, the layer of air can support the whole surface of the substrate. This is an improvement over the point contact that is currently being used,² as air bearing limits contamination and

forces on the substrate. This will increase the yield from a single wafer.

Research at the Delft University of Technology has generated multiple concepts where substrates are controlled on a controlled layer of air. The concepts vary in the way the air is controlled, i.e. by variation of the pressure inlet,³ deformation of the surface to control the airflow⁴ or variation of the outlet restriction.⁵ This technology has also been used to levitate and transport different kinds of materials,^{6,7} as the air-based levitation is not limited to specific substrate material properties.

When the substrate is floating in a positioning system it is necessary to measure and control its position. In the research cited above, the substrates were modified to measure their position. For example, gratings were

Precision and Microsystems Engineering, TU Delft, The Netherlands

Corresponding author:

Niranjan Saikumar, Precision and Microsystems Engineering, 3ME, TU Delft, The Netherlands.
Email: niranjans87@gmail.com

added to the wafers. Research has been done on contactless positioning,^{6,8} but sensing systems that do not require any modifications to the substrate have been limited in either bandwidth or resolution.

This paper presents an air-bearing positioning system where no modifications are made to the substrate, in line with how such an air-bearing motion system is to be used in the high-tech industry. The implementation of a charge-coupled device (CCD) is proposed for non-contact position measurement. The sensing concept is implemented in the contactless actuation system and the results are presented.

In section II, the state of the art is presented. Section III explains the contactless actuation concept based on deformable surfaces. The dynamics response of the actuator is evaluated and a controller is designed, in section IV. Section V shows the proposed sensor concept with performance analysis. The sensor is implemented in the contactless actuation system and the results are presented in Section VI.

State of the Art

The start of the development of this new line of contactless actuation concept at TU Delft was in 2007.³ The concepts use the same physics to control the position of the substrate. First, the substrate is levitated on a layer of air. Subsequently, the substrate is preloaded in the out of plane direction with a controlled vacuum source. This increases the out of plane stiffness, at the fly height. This height can be adjusted by changing the force the vacuum and pressure source are applying.

The in-plane actuation is achieved creating an airflow tangential to the substrate surface. The air is flowing from the high-pressure area to the lower pressure following the path of the least resistance. This flow of air exerts a viscous traction force on the substrate. This innovative idea has led to multiple concepts that will be discussed in this section.

Variable Inlet Pressure

In 2007, Wesseling designed a contactless positioning system based on a fixed geometry and a variable inlet pressure to control the thin film airflow. In his PhD thesis "Contactless Positioning Using an Active Air-Film".³ Figure 1.a shows a cross-section of one of the actuator cells, where a substrate is floating on top of the pressurized air.

The air will flow from the inlet $p+$ with high pressure to the outlet $p-$, where the air is removed from the cell at a sub-ambient pressure. The viscous shear of the airflow creates a traction force on the substrate. The direction of the flow within a cell is controlled by changing the pressure at the different inlets. Four actuator cells have to work together to actuate the substrate in three degrees of freedom. The flow of the different cells is separated by dams. Four actuator cells are shown in Figure 1.b.

The final system was used to position a 4-inch silicon wafer, a demonstrator as shown in Figure 1.c. A

bandwidth of 50 Hz was realized using a PID Controller. The system had a maximum acceleration of 600 mm/s^2 , with an error of 6 nm (1σ), while using an external active vibration isolation system. The concepts performance was limited by the tolerances on the manufacturing of the system, as this limited the fly height to $15 \mu\text{m}$. A lower fly height would result in a higher actuation force. The other limiting factor is the time delay caused by the pressure lines between the control valve and the pressure inlet in the cell.

Variable Outlet Restriction

In 2017, Verbruggen designed the third generation of the contactless actuator which uses an outlet restriction to create the traction force. The dams can be actuated to restrict the flow at one side, while the flow is opened up at the other side. The concept is similar to the Variable Inlet Pressure design. The advantage of this system is that the restriction is close to the chamber. This is an improvement, as there is no delay present at the supply lines, which limited the Variable Inlet Pressure stage.

A demonstrator was built to prove the concept. Seven circular pockets have been produced. The substrate was controlled in open loop. Using feedforward average angular accelerations have been measured of 11 rad/s^2 .

Transportation

Besides positioning a substrate on a stage, this technology can also be used for transportation thus further reducing the need for mechanical contact in typical production system. In 2016, Vagher investigated the construction of a passive contactless conveyor.⁶ In this research, a cost-effective manufacturing technique for the passive conveyor surface was explored.

Vagher's conveyor concept moves substrates in 2D and measured the position of the substrate using an automated vision system. The vision system resulted in a resolution of $30 \mu\text{m}$ at 60 Hz. In continuation Snieder investigated the transition between active and passive surfaces, which makes the transportation concept more versatile.⁷

Deformable surface

In 2011, Vuong explored a new concept regarding contactless positioning, "Air-based contactless actuation system for thin substrates".⁴ The concept is based on multiple tilted surfaces to steer the airflow, and therefore the force on the substrate. The advantage of the tilting surface is that a change in the geometry directly generates a shear force on the substrate. This concept does not suffer from the delay between the controlling action and force as seen in the first generation. In this concept, the in- and outlet pressure can be kept constant. The concept where the surfaces are tilted by bending the shafts is shown in Figure 2. This concept is used in this paper for precision

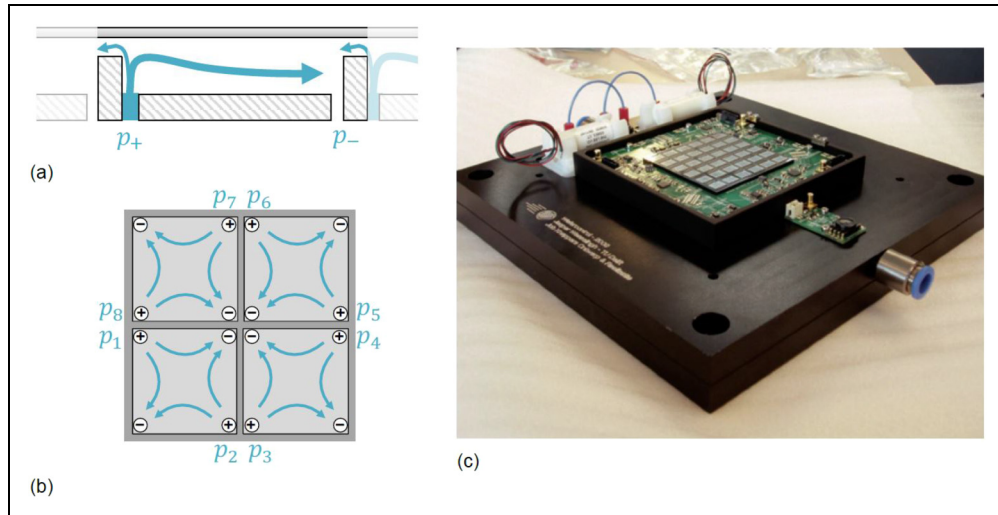


Figure 1. Working principle of the first generation. a) shows the cross-section of an actuator cell. b) top view. c) The pressure variation demonstrator.^{9,3}

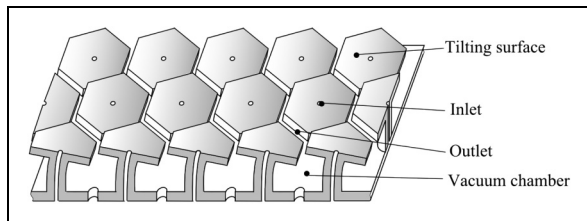


Figure 2. The tilting surface concept, The surfaces are tilted by bending the shafts.⁴

contactless positioning of the wafer and is explained in detail in the next section.

Flowerbed

A demonstrator was built based on the bendable shaft concept. However, instead of bendable shafts, two membranes are used which allows the shafts to tilt. This reduces the force requirement of the actuator. The concept is shown in Figure 3. The top membrane connects the flowers to the world. The bottom membrane is attached to the movable plate, which is connected to an actuator. The top membrane also functions as a seal for the upper chamber, which is connected to the vacuum pressure outlet. The inlet pressure comes in through the hollow centers of the shafts.

Figure 4, shows a cut-through view of the Flowerbed. The flowerbed has 61 hexagonal heads, with an in-radius of 14mm. It is nicknamed the Flowerbed because the surface looks like flowers that tilt towards the sun. The hexagon shape of the flowers was selected because it provides a full packing of the surface in combination with an optimal circumference to surface area ratio, and thus a maximum force for a given air flow. Furthermore, the figure also shows the fixed plate and movable plate, that both consist of two plates that are clamped together

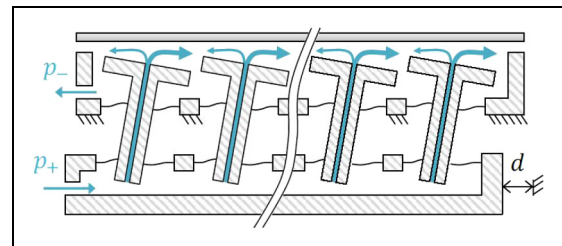


Figure 3. Schematic of the second generation contactless actuator, showing the flow of air through the system, for a displacement d of the movable plate.⁹

with a $50\ \mu\text{m}$ thick membrane in between. The membrane is also clamped in the flowers. To better align the flowers, the movable plate is preloaded downwards with three springs, with a force of approximately 100N . After assembly, the final step was the spark erosion of the surface with wire-cut EDM technology to further level the surface.

Figure 5, shows a single flower in both a neutral and actuated position. The thin film airflow is visualized in the area between the effective surface of the flower and the substrate. The combination of the positive and negative pressures provides stiffness in the out of plane direction at the fly-height h .

The flowers are tilted with an angle α , through a displacement of the movable plate, as shown in equation 1. Where d_p is the displacement of the movable plate and L the distance between the movable plate and the fixed plate.

$$\sin(\alpha) = \frac{d_p}{L} \approx \alpha \quad (1)$$

When tilted the majority of the air flow will follow the path of least resistance. This flow will, in turn, exert a viscous traction force F_w on the wafer in addition to the out of plane stiffness.

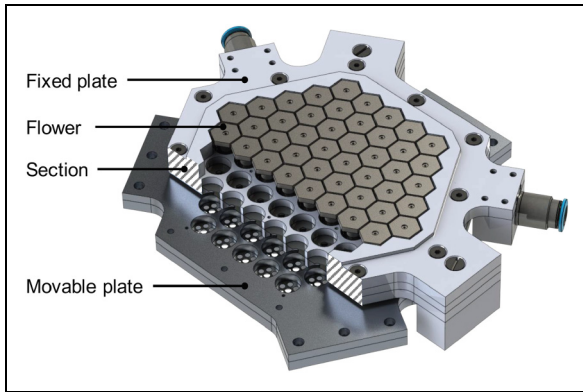


Figure 4. A cross-section of the Flowerbed, showing the fixed plate, flowers and movable plate. source: Jansen⁹

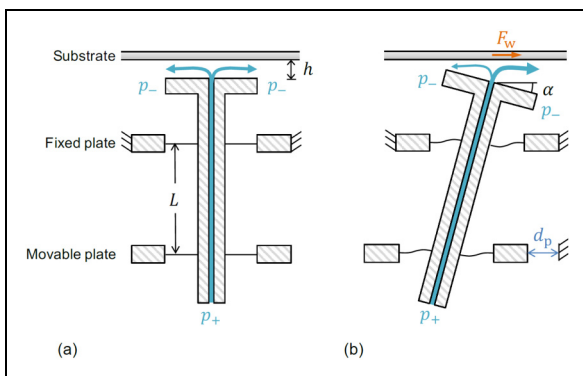


Figure 5. Schematic of a single flower of the flowerbed in a) neutral position. b) actuated position. The force on the wafer is visualized in the actuated position.⁹

The tilting angle of the flower has been measured to be proportional to the displacement of the movable plate up to 1000 Hz, without delay. The tilt response between the individual flowers is similar, there is only a small deviation in the gain. The values of gain vary between 71 rad/m and 80 rad/m, where the predicted value is 77 rad/m.⁴ Furthermore, Vuong experimentally validated that the pneumatics can be modeled by a proportional gain, up to at least 400 Hz. This means that if the movable plate position is known, the force exerted on the wafer is known.

The stiffness of the flowerbed is different for the translation and rotation of the movable plate. Each flower has an elastic hinge at the top and bottom, which provide stiffness against rotation. Figure 6, shows the behavior of the Flowerbed during the translation and rotation of the movable plate. The stiffness and inertia values for translation and rotation result in two suspension eigenvalues. These values have been calculated and experimentally validated by Jansen.⁹ The important properties are summarized in Table 1.

Flowerbed Actuation

In 2016, Krijnen designed a reluctance actuator to actuate the movable plate of the flowerbed.¹⁰ Reluctance

actuators can provide a high force, but they also have a high mass. With the use of fractional order control,¹¹ this resulted in a control bandwidth for the flowerbed of 100 Hz. The bandwidth was limited by the eigenmodes caused by the actuator as shown in Figure 7. Figure 8, shows the flapping mode of the actuators that was limiting the bandwidth. The position of the wafer is measured using optical sensors. This required that gratings are attached to the wafer. The position of the wafer is controlled with a bandwidth of 60 Hz.

To increase the bandwidth of the system, Jansen redesigned the actuator in 2018. The new actuator was designed with special care for the dynamic performance. Instead of traditional hinges, a design with notch flexures is chosen. The flexures provide a high stiffness in the out of the plane direction and work without backlash. The reluctance actuators have been replaced with Lorentz actuators, as they have a linear force current relation. Furthermore the permanent magnets were placed on the stationary frame, and the coils on the mover, resulting in a minimal moving mass.

Figure 9 shows the chosen guidance for the movable plate. In the figure, the application point of the force and sensor are shown, as well as the notch flexure and guide linkages. The sensors that measure the actuator displacement are placed close to the actuator.

Figure 10, shows the Flowerbed including the realized actuator. From top to bottom it shows the connection between the actuator and movable plate. The coil is used to generate the force on the movable plate. The sensor is placed directly behind the actuator. The actuators have a relatively small motion range thus the wires running from the coil to the base plane are no problem. Furthermore, the stiffness is small compared to the stiffness of the movable plate.⁹

The position of the actuators is measured using Micro-Epsilon CapaNCDDT CS08 capacitive sensors, which have a range of 800 μm . With the 16 bits ADC this resulted in a resolution of 24.4 nm. The noise is measured at 0.6 μm peak-to-peak, with an RMS value of 72 nm.

Flowerbed Dynamics and Control

In the previous sections, the state of the art has been presented. The bandwidth of the compliant actuator design was placed on 233 Hz. No sensor was implemented to measure the position of the wafer. In this section, the dynamic response of the system is presented. A controller is designed and the closed-loop results are discussed. At last, the possibilities for improvement are discussed.

Flowerbed Dynamics

Figures 11 and 12, show the results from the identification where all the straight transfers and cross transfers are plotted. The direction of force and position sensor are inverted and account for the 180° phase seen. Both transfers show a quick drop in phase which is the limiting

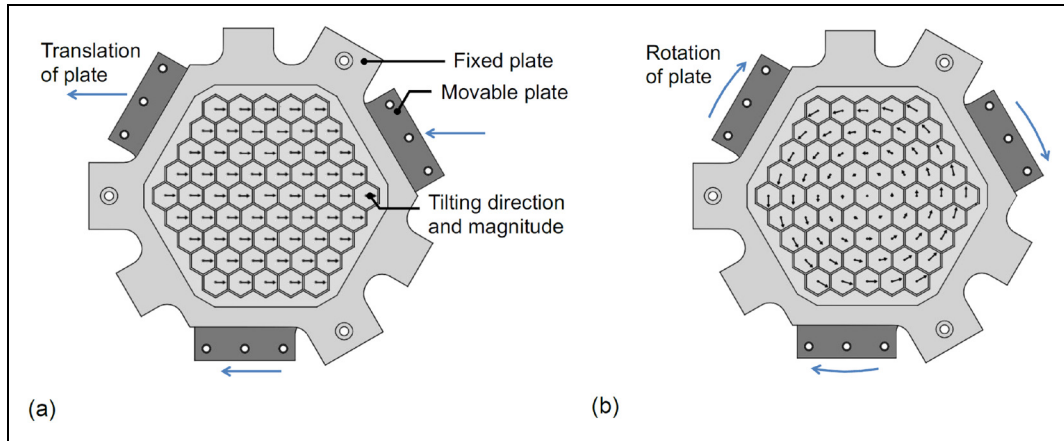


Figure 6. Schematic of the flowerbed during a) Translation. b) Rotation.⁹

Table 1. Flowerbed Properties.

Property		Value
Translational Stiffness	k_{eq}	200kN/m
Rotational Stiffness	k_{θ}	2.1kNm/rad
Equivalent mass	m_{eq}	1.9kg
Equivalent inertia	I_{eq}	$5.2e - 3kg m^2$
Translational eigenmode	$f_{0,d}$	51.6Hz
Rotational eigenmode	$f_{0,\theta}$	101Hz

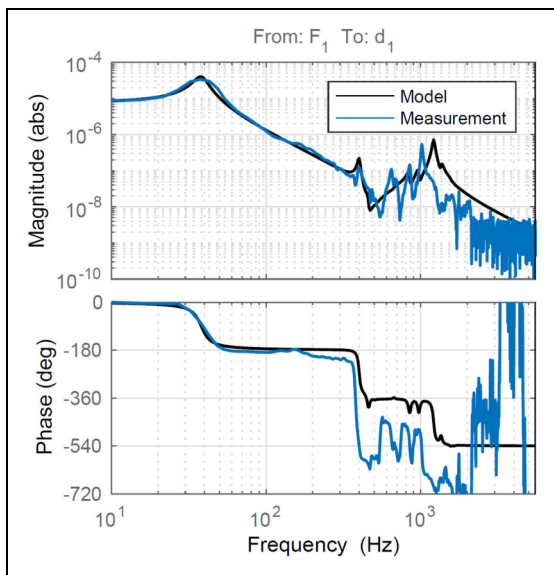


Figure 7. The simulated and measured frequency response function of the flowerbed with the reluctance actuator.¹⁰

factor for the bandwidth. Jansen suggested this could be the effect of the capacitive sensing system.⁹ After investigation of the delay sources in the system; amplifier, capacitive sensors, sampling time, coil dynamics, the main sources of the delay have been identified. The phase lag is due to a combination of the 20kHz sampling which produces a phase lag and the magnetic field which is lagging the current. The lagging field is due to the eddy currents in

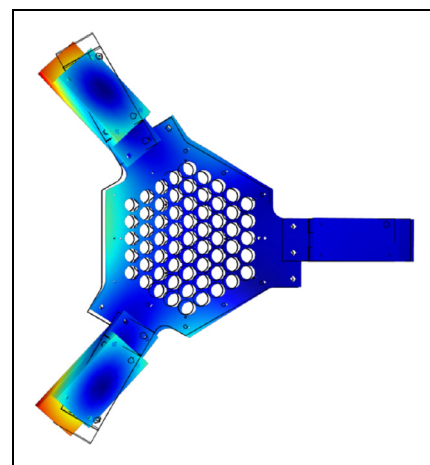


Figure 8. Flapping modeshape of the actuators at 1080 Hz (measured).¹⁰

the mover which will create a magnetic field opposing the movement. When the magnetic field of the coil and eddy current are summed the field lags that of the coil alone. This provides a time delay seen in the bode diagram as a lagging phase. Furthermore, the eddy current damping provides damping of the magnitude proportional to the velocity of the mover.

Figure 13, shows the mover in the magnetic field of the permanent magnets. The mover consists of an aluminium plate with spaces cut out for the coils and a top plate to hold them in place. A solution to limit the intensity of the generated eddy currents is to laminate the mover. Another method is to look at the possibility of flux feedback for the amplifier of the system, to compensate for the effects of the eddy current.¹² These solutions have not been implemented in this work and are left for future work.

Flowerbed Control

The controller of the inner loop will control the position of the actuator to the corresponding sensor. The measured position will be controlled using a feedforward controller

and feedback controller. The diagram is shown in Figure 14.

For the feedback controller, a PID controller is designed for a bandwidth of 300 Hz. The parameters are shown in Table 2, the gain for actuator 2 is different to compensate for the slightly different stiffness at the bandwidth. The controller creates a phase margin of 27° , gain margin of 32.7 dB and a modulus margin of 11.3 dB.

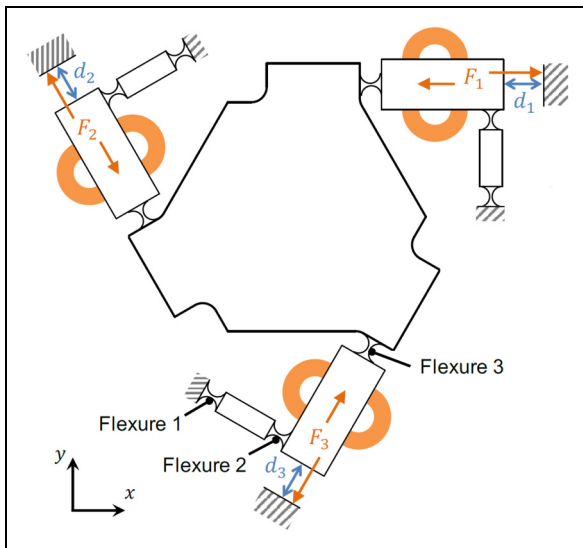


Figure 9. Compliant mechanism design used to house the Lorentz actuators. Adapted from Jansen⁹

The feedforward controller has been designed using a simplification of the plant. The feedforward controller is the inverse of this plant made proper with two second-order low pass filters at the frequency of the bandwidth. The closed-loop response of the system with the PID controller and feedforward is shown in Figures 15 and 16. The feedforward controller is given in Equation 2.

$$FF = \frac{\left(\frac{s}{2\pi 300} + 1\right) \left(\frac{s^2}{(2\pi 49)^2} + \frac{0.1s}{2\pi 49} + 1\right)}{0.37 \left(\frac{s^2}{2\pi 300^2} + \frac{2s}{2\pi 300} + 1\right)^2} \cdot \frac{\left(\frac{s^2}{(2\pi 75)^2} + \frac{0.17s}{2\pi 75} + 1\right)}{\left(\frac{s^2}{(2\pi 60)^2} + \frac{2s}{2\pi 60} + 1\right)} \quad (2)$$

The closed-loop response of the system is similar for all three actuators. The response provides a good basis for the Outer Loop Controller up to, at least 100 Hz. The system shows strong coupling at 470 Hz, this could be improved using a decoupling filter or by prefiltering the input. Because the bandwidth of the outer loop is limited, it is chosen to use the Outer Loop Controller to prefilter the reference signal.

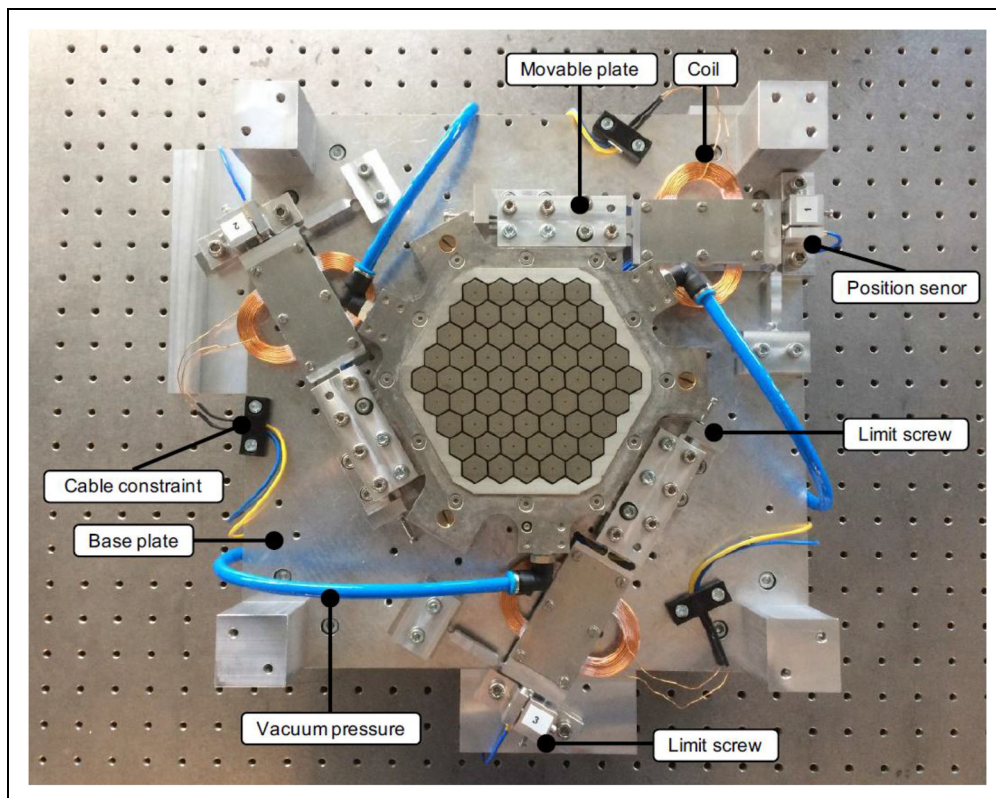


Figure 10. Photograph of the flowerbed with the compliant mechanism and Lorentz actuator design.⁹

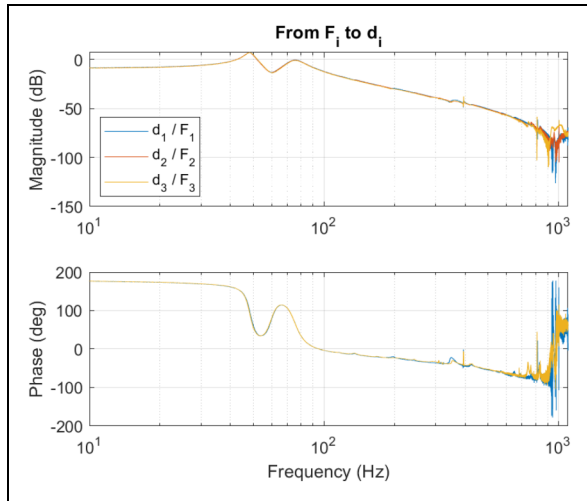


Figure 11. Frequency response function from actuator Force to actuator displacement, the phase is shifted upwards by 180 degrees since the position is measured in opposite direction to applied force.

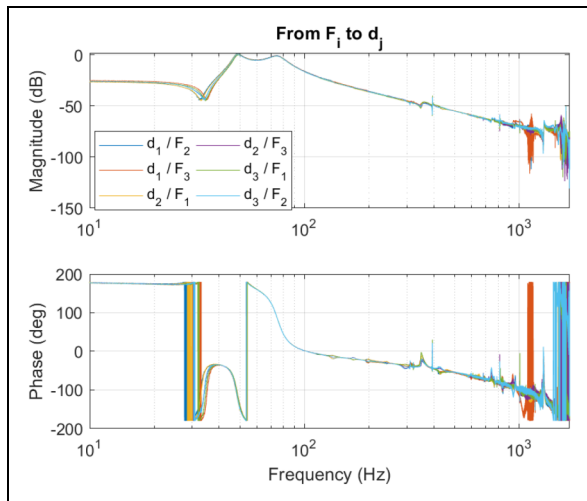


Figure 12. The cross-coupled frequency response functions of the flowerbed, the phase is shifted upwards by 180 degrees since the position is measured in opposite direction to applied force.

Wafer Sensing

The wafer floating on air is a floating mass with viscous damping system, thus to gain control over the position of the wafer it is necessary to have a collocated sensor. For this sensor in the outer loop, there are some restrictions, that influence the sensor choice. For the high-tech industry, it is unappealing to use a wafer modified to accommodate the sensing solution. Thus, it is preferred that the wafer is not altered.

As discussed in the state of the art, different sensor techniques have been used in the past, such as techniques based on capacitive sensors, edge detection using Charge-Coupled Devices (CCD), vision and optical encoders. The best speed and resolution was achieved using optical encoders with gratings on the wafer. However,

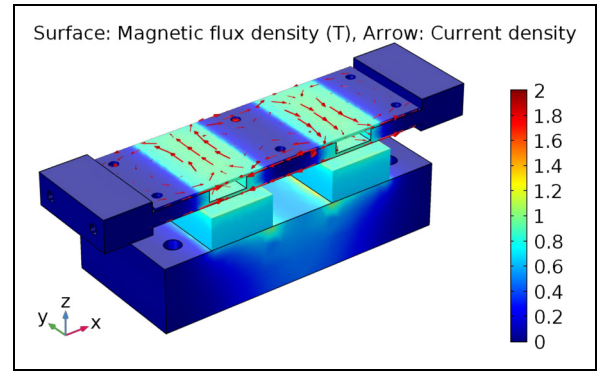


Figure 13. Simulation showing generated eddy currents.⁹

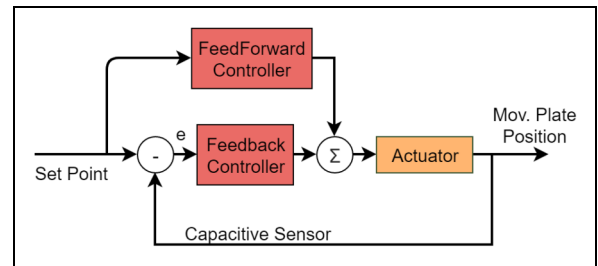


Figure 14. Movable plate control strategy (ILC).

this is an alteration to the wafer. Without altering the wafer edge detection using the linear CCD sensor array is the best choice. Edge detection can reach sampling speeds up to multiple kHz while having a sub-micrometer resolution that can be achieved using sub-pixel interpolation. This will be discussed later in this section.

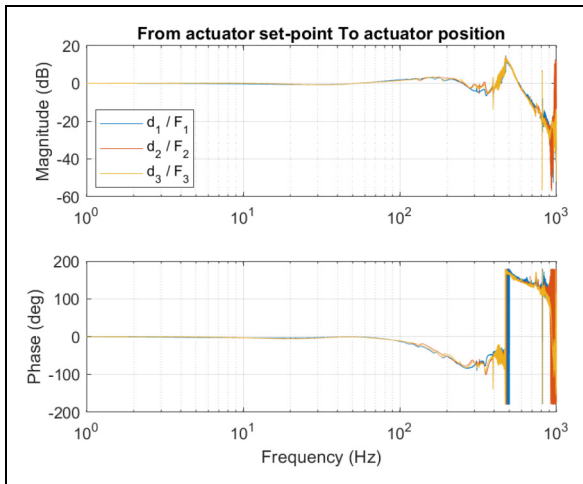
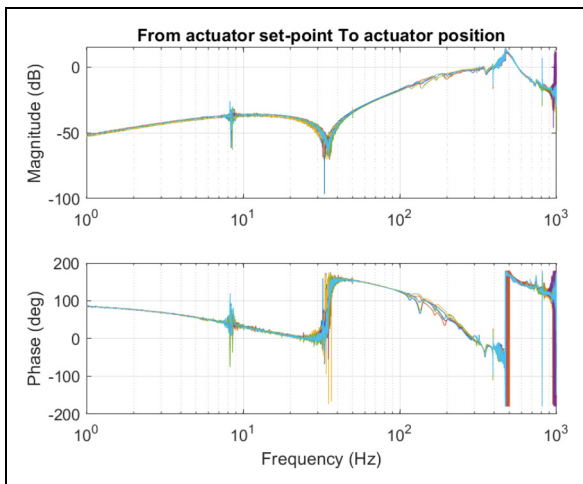
Linear Sensor Array

A linear CCD has been selected to measure the edge position of the wafer. It consists of an array of pixels, that measure the intensity of the light. The change from light to dark is used to find the edge of the wafer. The concept is shown in Figure 17. As discussed in the state of the art, Wesselingh had implemented CCD sensors, but used a somewhat different concept were noise from stray light limited the performance.³ The selection of the CCD sensor is based on a tradeoff between the resolution, sampling time and range. The sampling time is limited by the available modules for the National Instruments CompactRio. The NI9201 is used which supports 500 kS/s. The TCD1103GFG has 1500 pixels of 5.5 μm by 64 μm on 5.5 μm center. It supports a data rate of 2 MHz. With 1500 pixels and a low integration time this results in a sampling rate of almost 1.3 kHz, and with the limitation of the 500 kS/s this is lowered to 320 Hz. High power cool white LEDs are used as the light source. The intensity of the light is tuned to maximize the dynamic range.

In this paper, the sensor output is compared to a threshold. This threshold is used to detect the transition from light to dark. Instead of using a threshold a sub-pixel

Table 2. ILC - PID parameters.

Parameter		Actuator 1	Actuator 2	Actuator 3
K	N/m	15.2	14.8	15.2
f_i	Hz	10	10	10
f_d	Hz	50	50	50
f_t	Hz	2000	2000	2000
f_f	Hz	2500	2500	2500

**Figure 15.** Closed loop frequency response of the actuators, from actuator reference position to measured position.**Figure 16.** Closed loop cross coupled frequency response of the actuators, from actuator reference position to measured position.

interpolation method could also be used. Using this method it is possible to increase the resolution of the sensors to better than 0.05 of the pixel size, while at the same time reducing the effects of noise.¹³⁻¹⁶ Using the sub-pixel interpolation method the theoretic resolution of the chosen CCD could be as low as 0.11 μ m. However, to limit the calculation time on the FPGA, it was chosen to implement the threshold model.

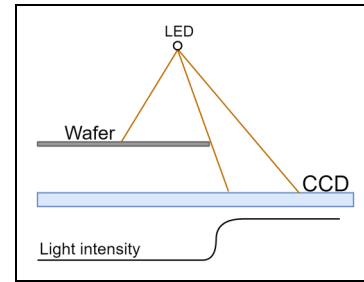
**Figure 17.** Linear CCD sensor concept to measure the edge of a wafer

Figure 18, shows the output of the CCD sensor. The threshold is placed at 0.6. When the threshold is reached the pixel number corresponds to the position on the CCD where the shadow ends.

When using a point light source, the measured position should be adjusted to get the real position. Figure 19, shows that distance between the shadow and the wafer position is dependent on the position and height of the wafer. The wafer position is calculated using equation 3a. Because the height of the wafer is not fixed a disturbance could enter the system through a variation in the height. The size of the disturbance can be estimated by equation 3a.

The difference in fly-height is estimated to be in the order of micrometers. When minimizing the height between the wafer and CCD the disturbance is estimated to be within 0.1 of the pixel size for large movements, which is acceptable when using the threshold model, if sub-pixel interpolation is used it is better to remove the height by using a collimated light source or by adding another LED. With two LEDs another data point is known, which can be used to eliminate the height from the equation as shown in Equation 3b.¹⁷

$$X_w = \frac{h_{wafer}}{h_{led}}(x_{L1} - x_{s1}) + s1 \quad (3a)$$

$$X_w = \frac{x_{L2}x_{s1} - x_{L1}x_{s2}}{-x_{L1} + x_{L2} + x_{s1} - x_{s2}} \quad (3b)$$

Performance Analysis

Before the implementation of the CCD sensor inside the contactless actuator, a performance analysis experiment was done. In these tests, the linearity of the sensor was tested, as well as the steady-state behavior. The performance test was performed in an environment where disturbance sources from the external lighting, vibrations, and the electrical side were not removed. The steady-state response shows no drift and high precision, as the position returns to the same position. Figure 20, shows the performance analysis test where the position of the CCD is compared to a stage which has a resolution of 100 nm. The figure shows no drift and follows the position of the stage with an error of 3.0 μ m RMS.

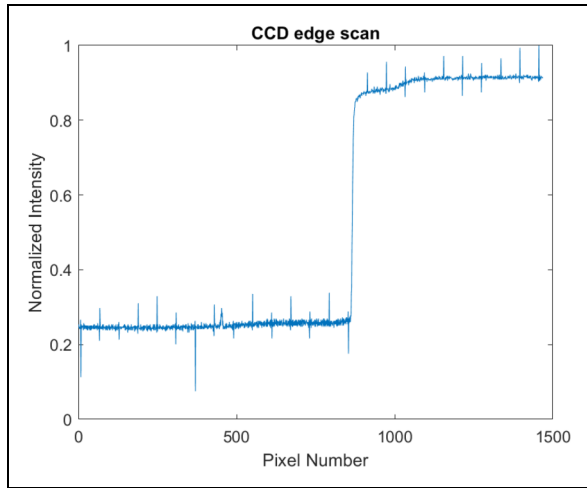


Figure 18. Output of the CCD sensor. It shows the edge of the wafer. The edge is a curve over 10 pixels.

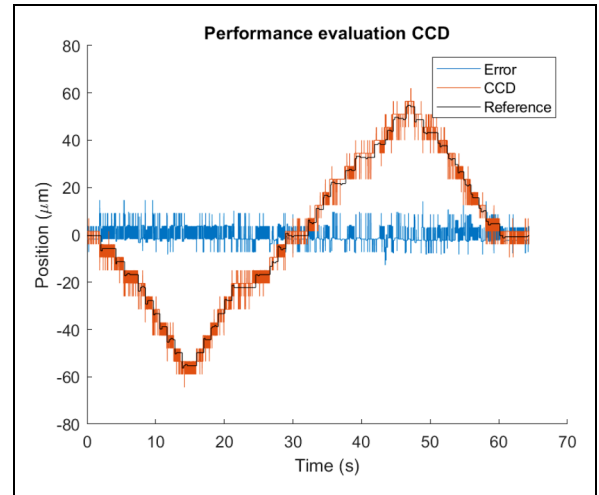


Figure 20. Performance of CCD sensor analysed for linearity. RMS error value $3.0 \mu\text{m}$.

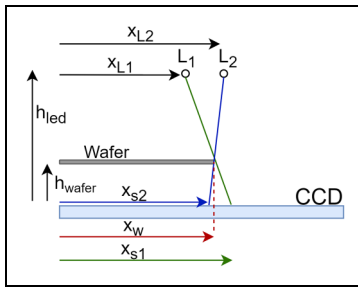


Figure 19. A CCD sensor with 2 LEDs, showing the actual position of the wafer x_w , the shadow created by the first led x_{s1} and second led x_{s2} .

Metrology

The kinematics are used to convert the measured position from the sensors into the position of the wafer. Figure 21, shows the placement of the sensors. The kinematic equations are shown in Equation 4, where r is the radius of the wafer and 41.5 mm the distance between the sensors. The input of the kinematic equations is in millimeters and the output is in millimeters and radians. The photograph of the flowerbed system with the integrated contactless sensing is shown in Figure 22.

$$y = \frac{d_2 + d_3}{2} \quad (4a)$$

$$x = d_1 - \left(r - \sqrt{r^2 - y^2} \right) \quad (4b)$$

$$Rz = \frac{d_3 - d_2}{41.5} \quad (4c)$$

The validation of the outer loop control was performed using a 200 mm dummy wafer. The dummy wafer is cut out of a $750 \mu\text{m}$ thick aluminium sheet and according to the JEIDA standard.¹⁸ This means a circle with a radius

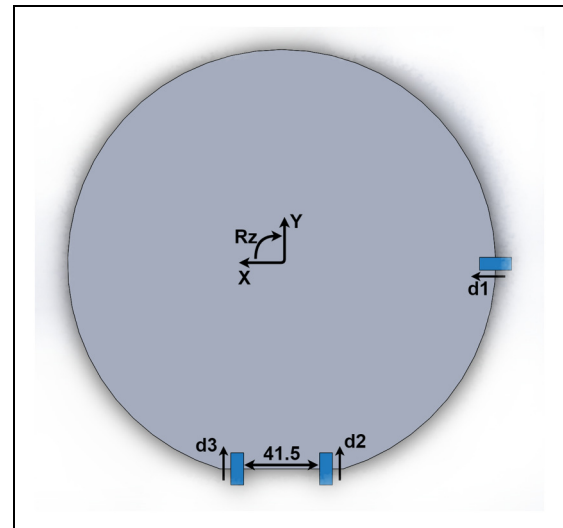


Figure 21. Shows the sensor placement in reference to the wafer to be controlled.

of 100 mm with a flat of 57.5 mm. The aluminium wafer weighs 63 g, which is 8 percent more as a comparable 8 inch silicon wafer.

Wafer Control

To control the position of the wafer, a second controller needs to be added to the inner loop flowerbed control. This leads to a cascaded control structure as shown in Figure 23. The flowerbed controller will be called the Inner Loop Controller (ILC) from now on. The ILC will provide the stiff connection between the flowerbed and actuator. The setpoint of the ILC will be controlled by the wafer controller, which is also called the Outer Loop Controller (OLC). The kinematics and inverse kinematics are placed in the loop of the OLC, because the OLC has a lower bandwidth and thus more time for the calculations.

Pressure control

For the operation of the Flowerbed, constant pressure and vacuum are crucial, even more so because of the non-uniform behavior of the flowers on the surface for a given supply and vacuum pressure. As a result, setting a higher pressure will cause an extra force in the negative y-direction, whereas a lower vacuum will create an extra force in the positive y-direction.

To control the pressure, sensors and valves are placed in the supply lines. The dynamic behavior of the pressure and vacuum supply has been identified around the operation pressure of 240 kPa supply and 6 kPa vacuum. The controller design is a proportional gain together with a second-order low pass filter with the values provided in Table 3. The lower bandwidth has been chosen because of the limitations of the solenoid valves, increasing the bandwidth further does not improve the performance. The closed loop frequency responses for the pressure controls are shown in Figure 24. During control the steady-state error is measured, the error for the vacuum controller is 0.01 kPa(σ) and for the pressure controller 0.3 kPa(σ).

Pneumatics

Previous experiments by Vuong showed that the air film dynamics can be described as a pure proportional gain

up to at least 400 Hz, after which the measurement became unreliable.⁴ The proportional gain of the system was determined at 1.4 mN/ μ m. In short, this means that if the position of the movable plate is known, the viscous traction force on the wafer can be calculated up to at least 400 Hz. This value of the proportional gain has been verified during the experiments of Krijnen.¹⁰ Furthermore, Krijnen provided the displacement force graph for different supply pressures while maintaining the vacuum supply at ambient pressure minus 7 kPa.

Multiple experiments are done with the values provided by Krijnen, however the previously measured pneumatic gain could not be replicated again without mechanical contact. Multiple factors play a role here, the flowerbed has been taken apart and reassembled multiple times to replace the actuators. Upon close inspection, it appears that multiple flowers are out of alignment. Furthermore, the supply pressure is leaking between the pressure sensor and the flowerbed. This makes the readings from the pressure sensor unreliable. The combination of these factors resulted in the fact that the noncontact criteria could not be guaranteed for a given pressure. Therefore the pressure was manually tuned to obtain the best performance while maintaining the no contact condition for a full movement of 60 μ m for the movable plate. The optimum was found at a vacuum pressure at minus 6 kPa and a supply pressure of 245 kPa. As a result, the value of the pneumatic gain was less than optimal, and was approximated at 0.3 mN/ μ m.

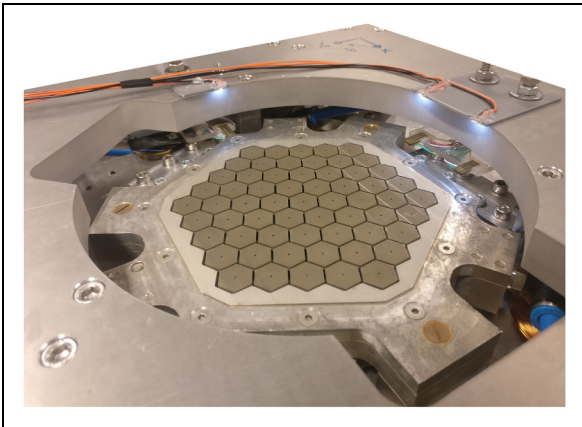


Figure 22. Photograph of the flowerbed system with the implemented contactless sensing system without the wafer.

Outer loop controller

In the outer loop, two separate controllers have been designed, one for controlling the rotation at lower bandwidth and one for positioning the wafer in x and y at a higher bandwidth to maximize the performance of the total system. The parameters of the controller will be discussed later in this section.

The outer loop could not be identified using open-loop response because the system consists of a floating mass with viscous damping. The identification of the system could be done by adding stiffness to the mass or through simulation. The simulated open-loop transfer function could be described by the transmissibility of the inner loop controller (T_{ILC}), the pneumatic gain of

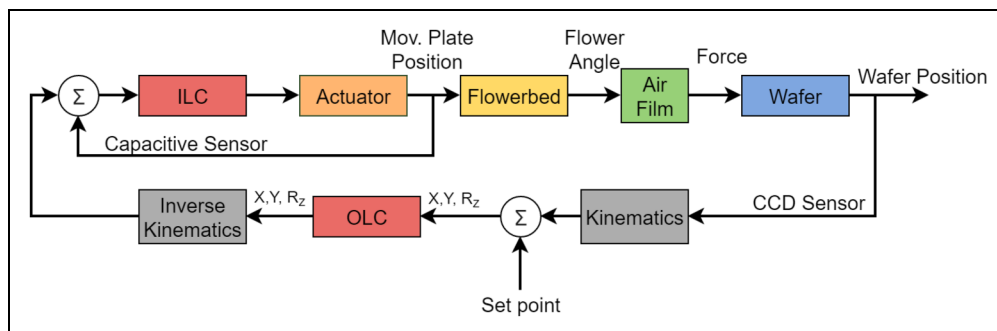
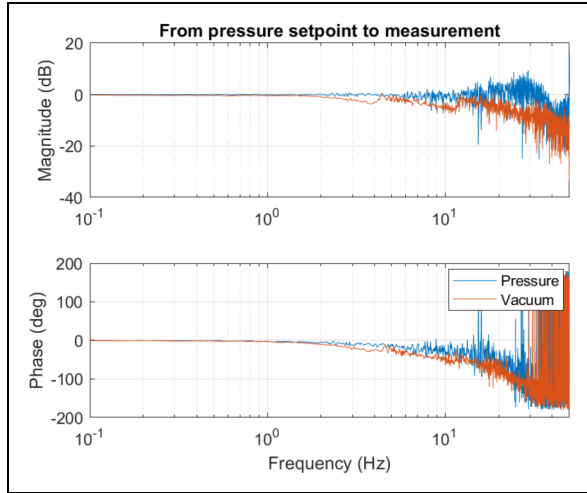


Figure 23. The control strategy for the flowerbed.

Table 3. Pressure controller properties.

Parameter	Pressure	Vacuum
K_p	5000	-1000
f_f	90	150

**Figure 24.** The closed loop frequency response of the flow-erbed pressure control.**Table 4.** Outer Loop Controller properties.

Parameter	Translation	Rotation
K_p	0.207	2.842
f_d	2.5	2.5
f_t	40	40
f_f	150	200

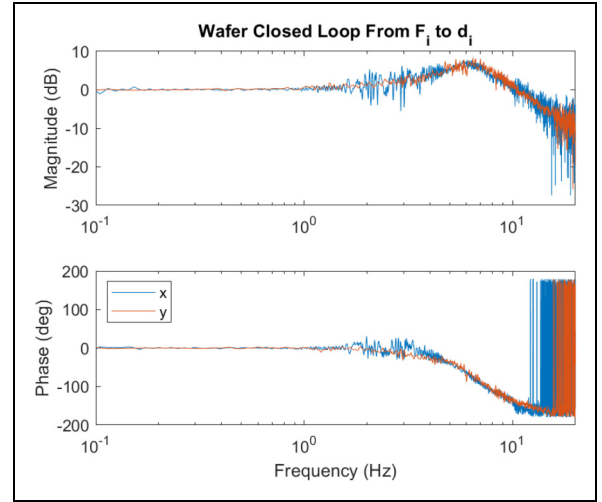
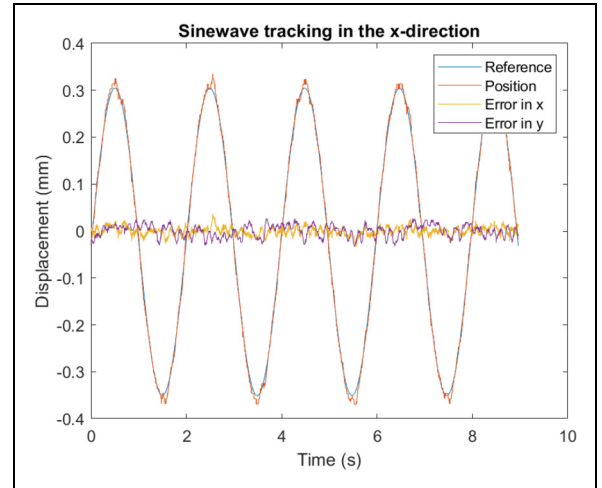
the system and the wafer, which is a mass system. This is shown in Equation 5, where C_{OLC} is the outer loop controller.

$$PC = \frac{T_{ILC} C_{OLC}}{m_{wafer} s^2} \quad (5)$$

For the controller, it is decided to use a PD controller with a low pass filter. The low pass filter must be placed before 300 Hz to cancel out the coupling in the inner loop. Because of the high gain of the mass-line, it was chosen to leave out the integrator.

$$K_p = \frac{m_{wafer} \omega_{bw}^2}{k_{pn} * 4}; \quad (6)$$

The gain of the system was calculated using Equation 6. The factor 4 accounts for the frequency range of the derivative part of the controller as given in Table 4, which adds a gain of the same value. To start, the pneumatic gain k_{pn} values calculated by Krijnen were used. This gives an initial place to start after which the controller has been tuned iteratively. After the initial

**Figure 25.** The closed loop frequency response of the flow-erbed - T from the reference position to the measured position for the translations.**Figure 26.** Tracking response of the wafer.

measurement, the new controller gain could be calculated to compensate for the lower pneumatic gain.

Performance

After tuning the controller for the inner loop, outer loop and pressure, the performance of the positioning of the wafer has been measured. Figure 25, shows the closed-loop response of the system. The measurements for the cross-coupling between the x and y-axis are insignificant and thus not presented in the frequency domain. The error of the x and y-axis during tracking is presented, in Figure 26. Furthermore, when tracking a sine wave with an amplitude of 0.33 mm at 0.5 Hz, the RMS error of x and y remained under $9 \mu\text{m}$.

The error at steady state is shown in Figure 27 with the RMS error values provided in Table 5. The periodic movement is caused by the correlation between the rotation and translational degrees of freedom. This is expected

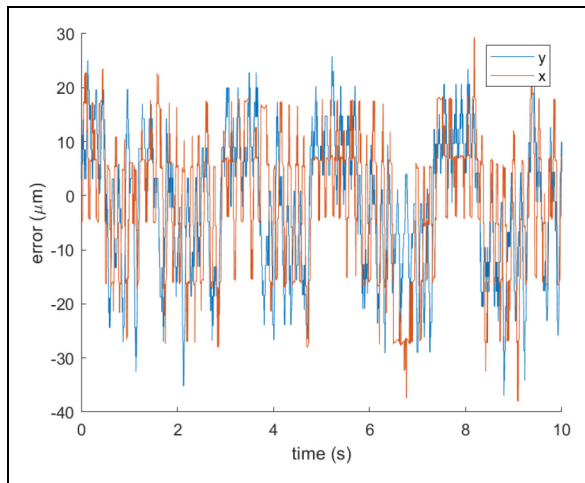


Figure 27. The steady state error during control of the wafer in x and y.

Table 5. Wafer position control – steady state performance.

DOF	RMS error
x	12.4 μm
y	12.9 μm
Rz	3.1 mrad

as the dummy wafer is not perfectly round. It must be noted that less rotation was observed during tracking than under steady state.

Conclusion

The push for thinner and larger wafers has substantially increased the need for contactless handling of the substrates. The flowerbed and other concepts were developed for this purpose using an air-bearing concept. This paper has presented an air-bearing contactless wafer handling system where the wafer's position is sensed without any alterations to the wafer.

The performance of the inner loop has been improved from 233 Hz to 300 Hz by improving the controller. This is an improvement of almost 30 percent compared to previous published results.⁹ The inner loop creates a stable platform for the outer loop controller which controls the position of the wafer. External disturbances are handled in the inner loop, as the air does not transmit the vibrations from the floor.

With the use of three Charge-Coupled Devices (CCD) the position of the wafer could be measured by detecting the edge of the wafer. This is done without any alteration of the wafer. The CCD sensors have a resolution of 5.5 μm .

Due to the unforeseen lowering of the pneumatic gain that attained in previous studies, the bandwidth for control

has not been improved. However, the wafer has been controlled using the new sensors design, resulting in a bandwidth of 10 Hz. The wafer can be positioned with a high accuracy of 13 μm RMS, which is under 3 resolution counts of the sensor. This showcases the high precision positioning capability of the flowerbed.

Further improvement of the inner loop could be achieved without redesign of the actuator. This improvement can be made by laminating the mover such that the effect from the eddy currents is removed. If lamination is not an option switching to flux feedback could remove the effect from the eddy currents, which are lowering the phase and thus the bandwidth. Also decoupling filters could be used to improve the closed loop sensitivity function of the inner loop. But, even in the current state the Inner Loop is no longer limiting the performance of the Outer Loop.

The resolution of the CCD could be improved to sub-micrometer resolution using sub-pixel interpolation techniques. Also using improved data acquisition hardware it is possible to increase the sampling frequency of the current CCD from 320 Hz to 1.2 kHz.

Declaration of conflicting interests

The authors declared no potential conflicts of interest with respect to the research, authorship, and/or publication of this article.

Funding

The authors received no financial support for the research, authorship, and/or publication of this article.

ORCID iD

Niranjan Saikumar  <https://orcid.org/0000-0002-6538-4581>

References

1. Fraunhofer, ISE: Photovoltaics report, February 2018.
2. Carey S, et al. Yield Impact of Backside Metal-Ion Contamination. *Solid State Phenomena*, vol. 187, Trans Tech Publications, 2012.
3. Wesselingh J. *Contactless Positioning using an Active Air Film*. PhD thesis, Delft University of Technology, 2011.
4. Vuong PH. *Air-Based Contactless Actuation System for Thin Substrates*. PhD thesis, Delft University of Technology, 2016.
5. Verbruggen N. *Air-Based Contactless Positioning of Thin Substrates*, Master's thesis, Delft University of Technology, 2018.
6. Vagher EP. *Contactless Passive Transport of Thin Solar Cells*. Master's thesis, Delft University of Technology, 2016.
7. Snieder J. *Development of an Air-Based Contactless Transport Demonstrator*. Master's thesis, Delft University of Technology, 2017.
8. Voorrips Y. *The design of a distributed sensing system for contactless substrate transport*. Master's thesis, Delft University of Technology, 2017.

9. Jansen R. Actuation System for the FLowerbed, Master's thesis, Delft University of Technology, 2018.
10. Krijnen ME. *Control system design for a contactless actuation system*. Master's thesis, Delft University of Technology, 2016.
11. Krijnen ME, et al. The application of fractional order control for an air-based contactless actuation system. *ISA Trans* 2018; 82: 172–183.
12. Katalenic A. *Control of reluctance actuators for high-precision positioning*. Eindhoven: Technische Universiteit Eindhoven, 2013.
13. Chang-Ming L et al. *Sub-pixel edge detection based on polynomial fitting for line-matrix CCD image*. Weifang: Weifang University, 2009.
14. Guo-Sheng X. *Linear array CCD image sub-pixel edge detection based on wavelet transform*. Weifang: Weifang University, 2009.
15. Fischer J et al. *Precise subpixel position measurement with linear interpolation of CMOS sensor image data*. Prague: Czech Technical University, 2005.
16. Hagara M and Kulla O. Edge detection with sub-pixel accuracy based on approximation of edge with erf function. *Radioengineering* 2011: 516–524.
17. Fischer J et al. *Simple Methods of Edge Position Measurement Using Shadow Projected on CCD Sensor*, Prague: Czech Technical University, 2003.
18. 12-2019, <http://www.silicon-wafer.co.jp/semispec.htm>.