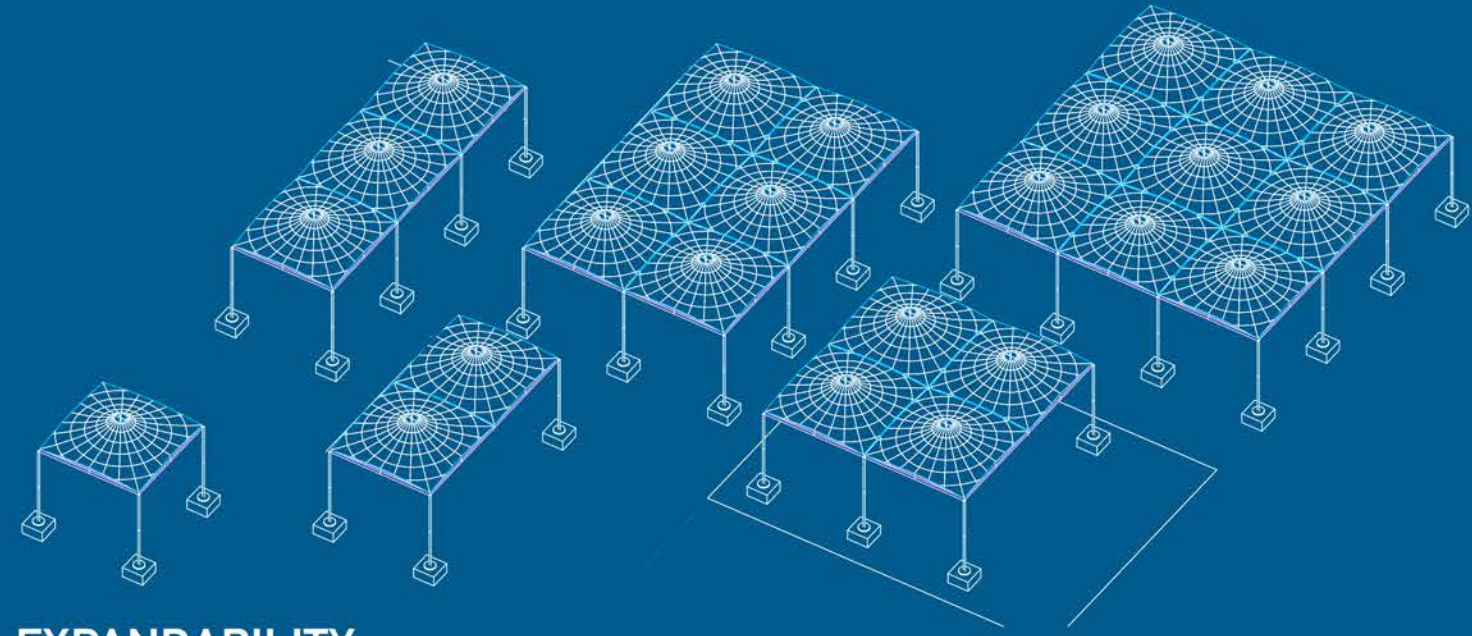
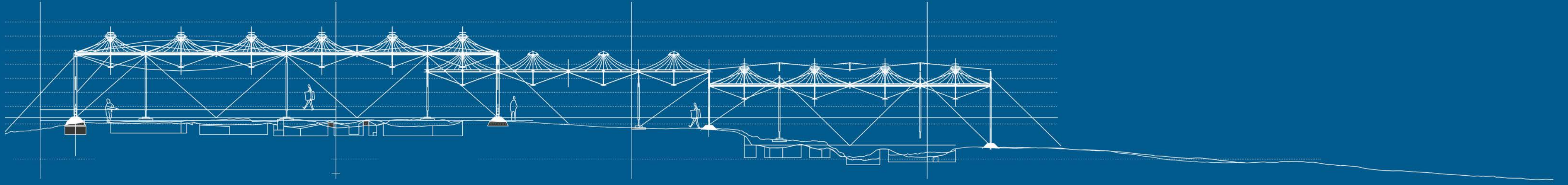
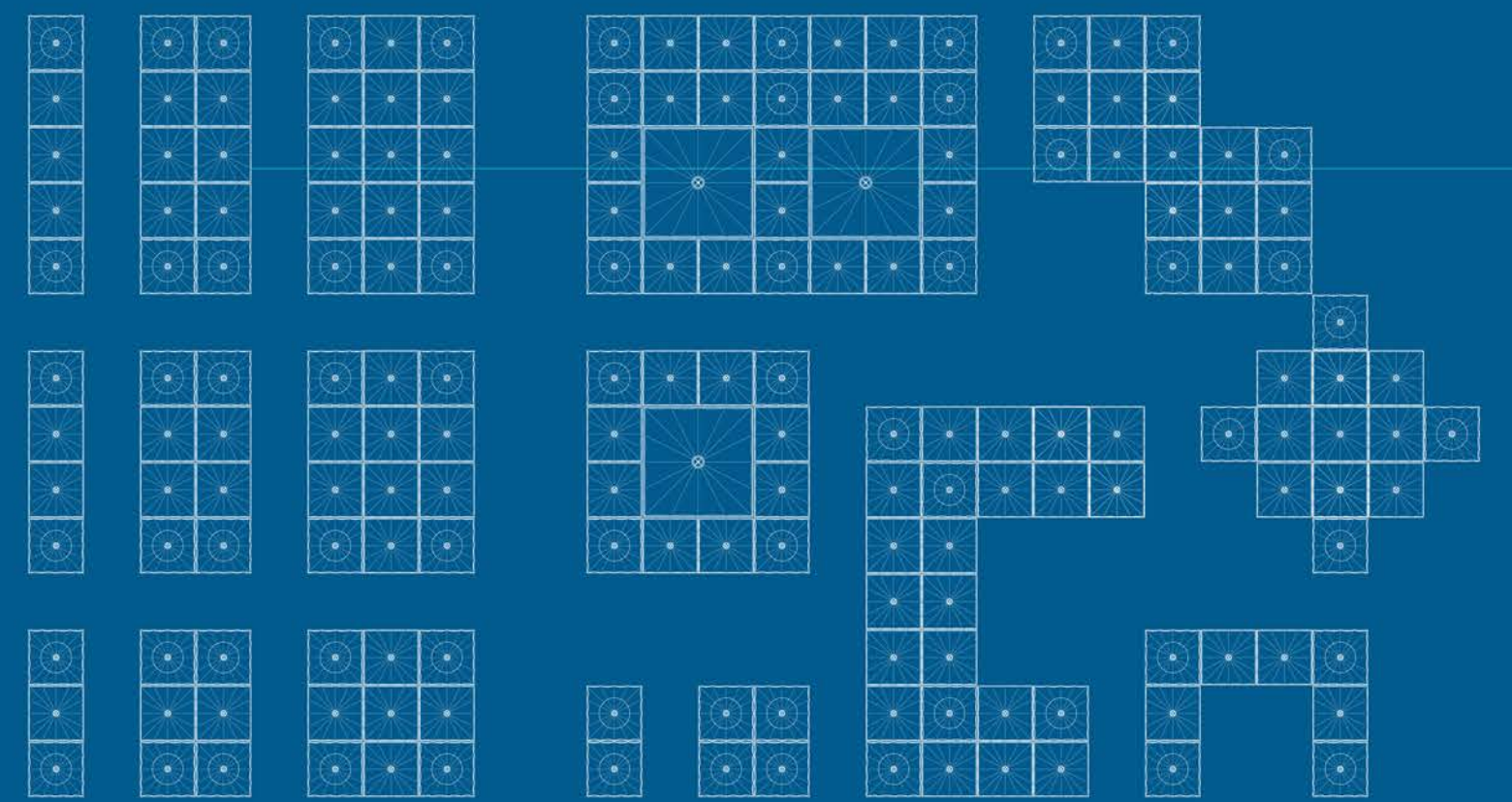


SHELTERS FOR ARCHAEOLOGY

An Architectural Sheltering System for Monuments & Excavation Sites,
in the case study of Ancient Eleon in Greece.

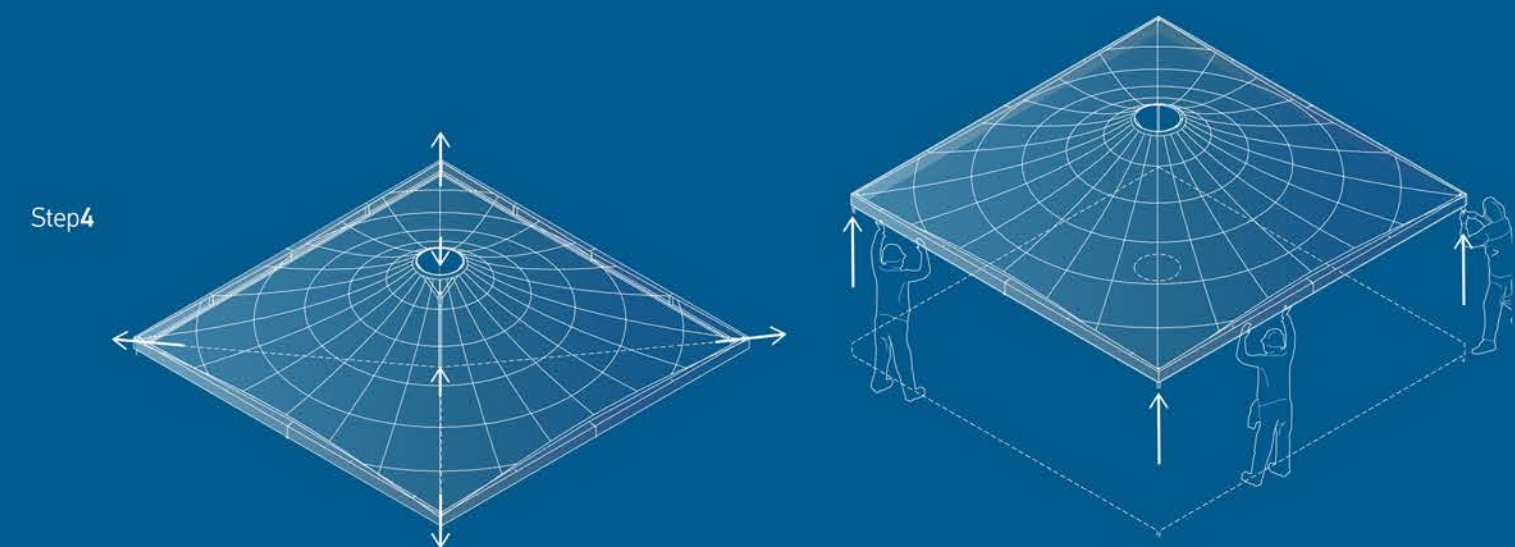
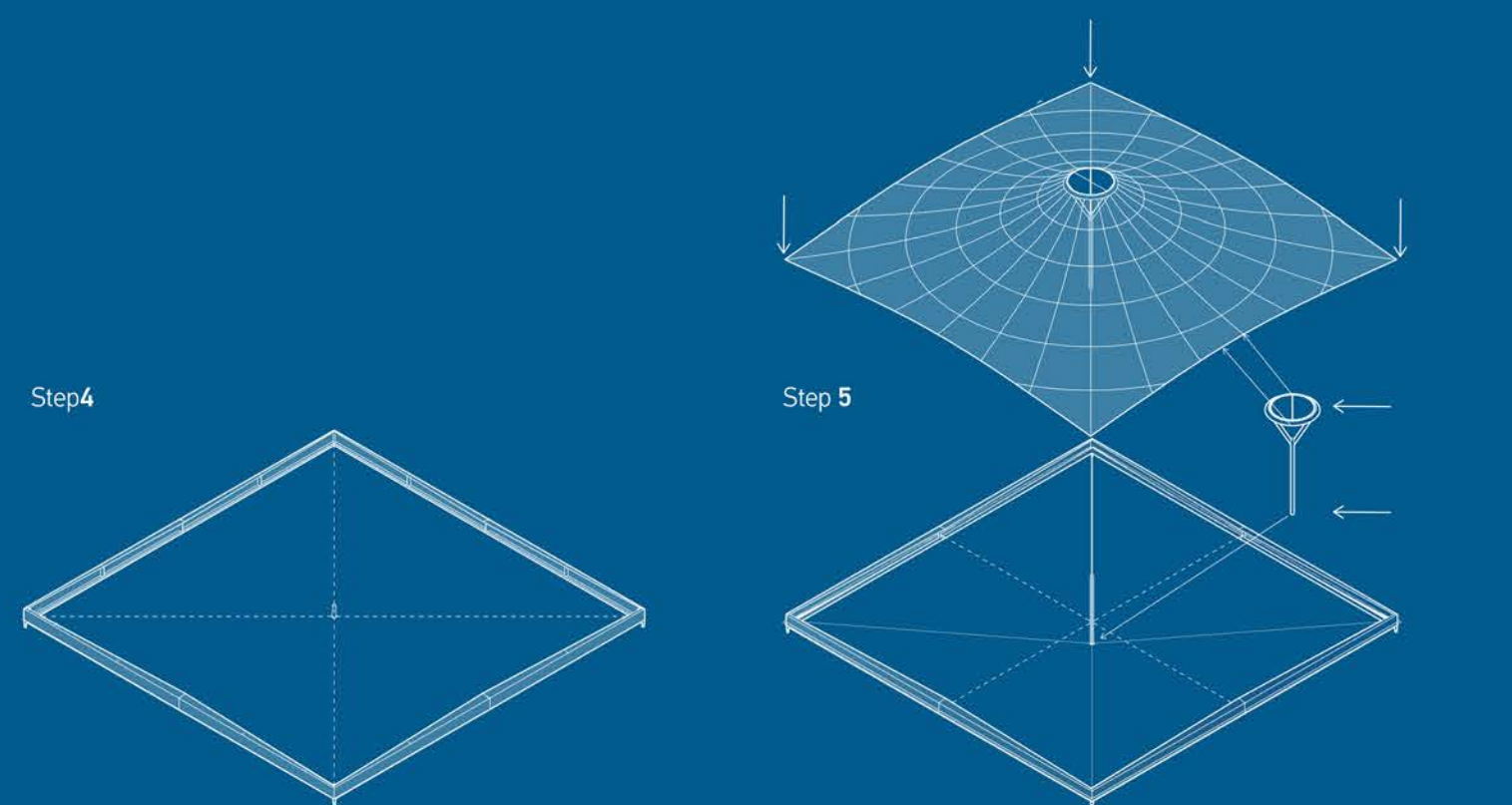
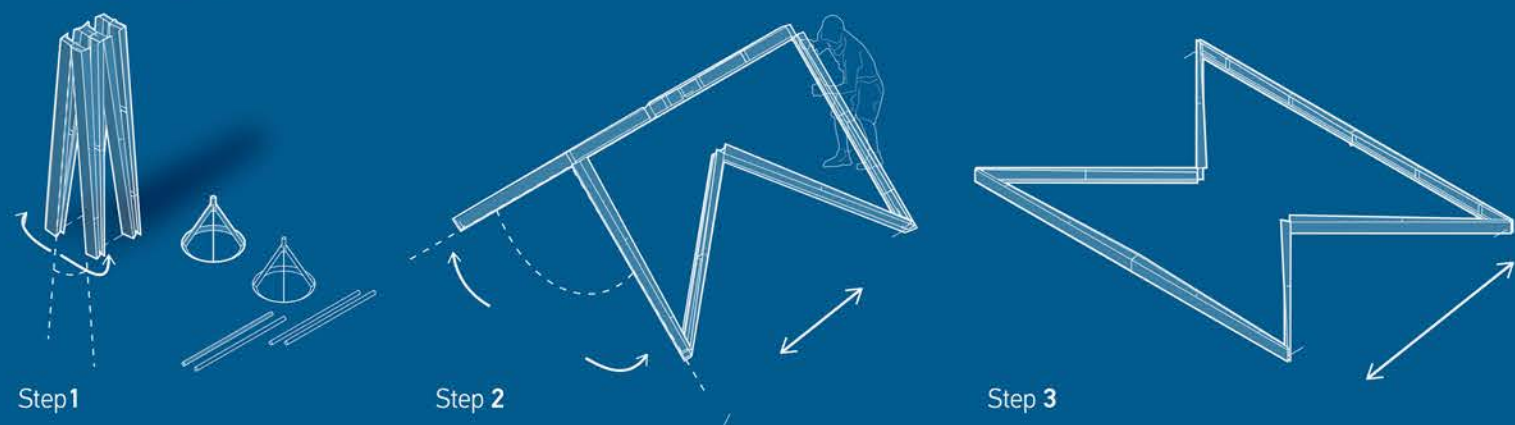


EXPANDABILITY

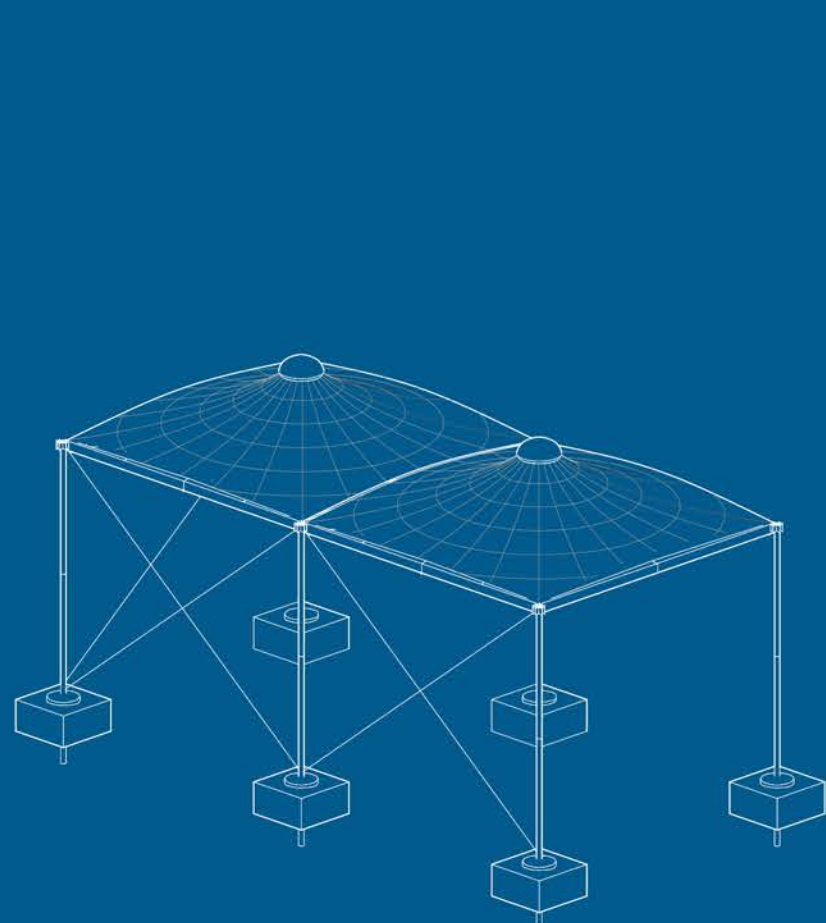


VARIATIONS OF TYPES

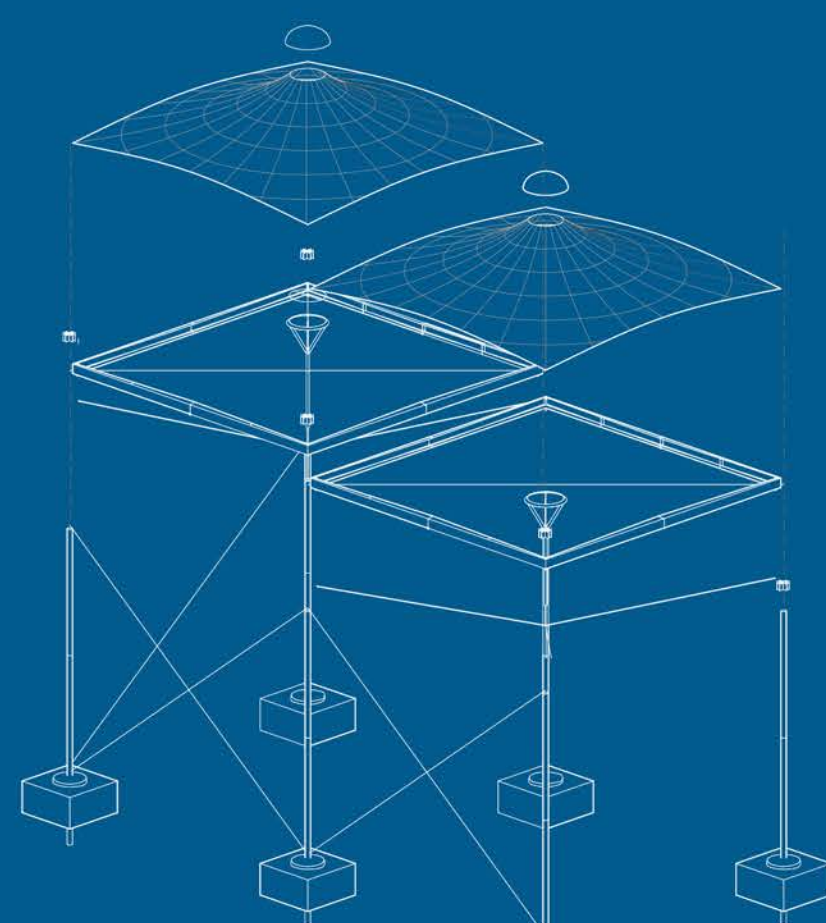
ASSEMBLY



A Unit's assembly
Parts & Steps

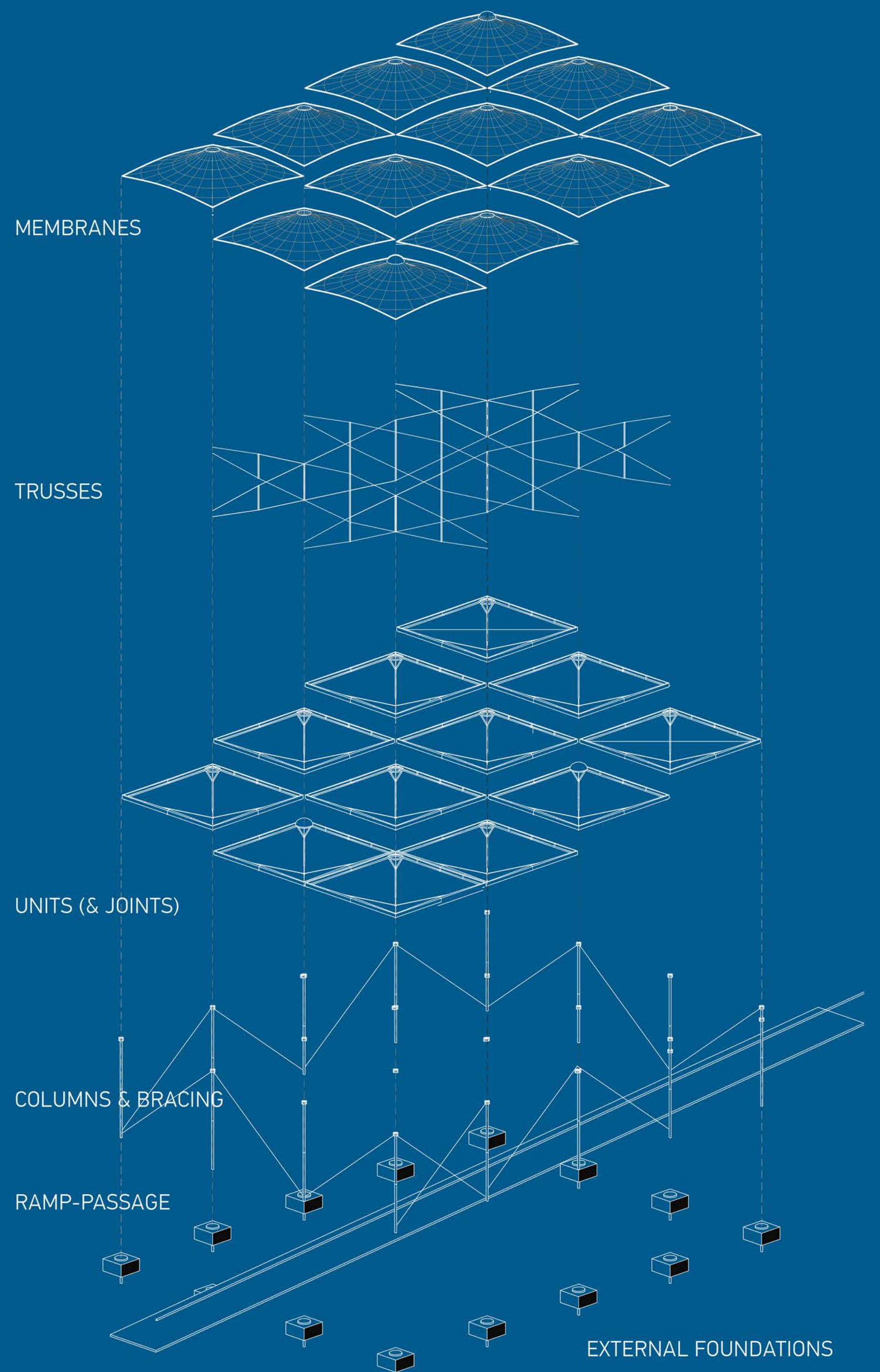


ASSEMBLY

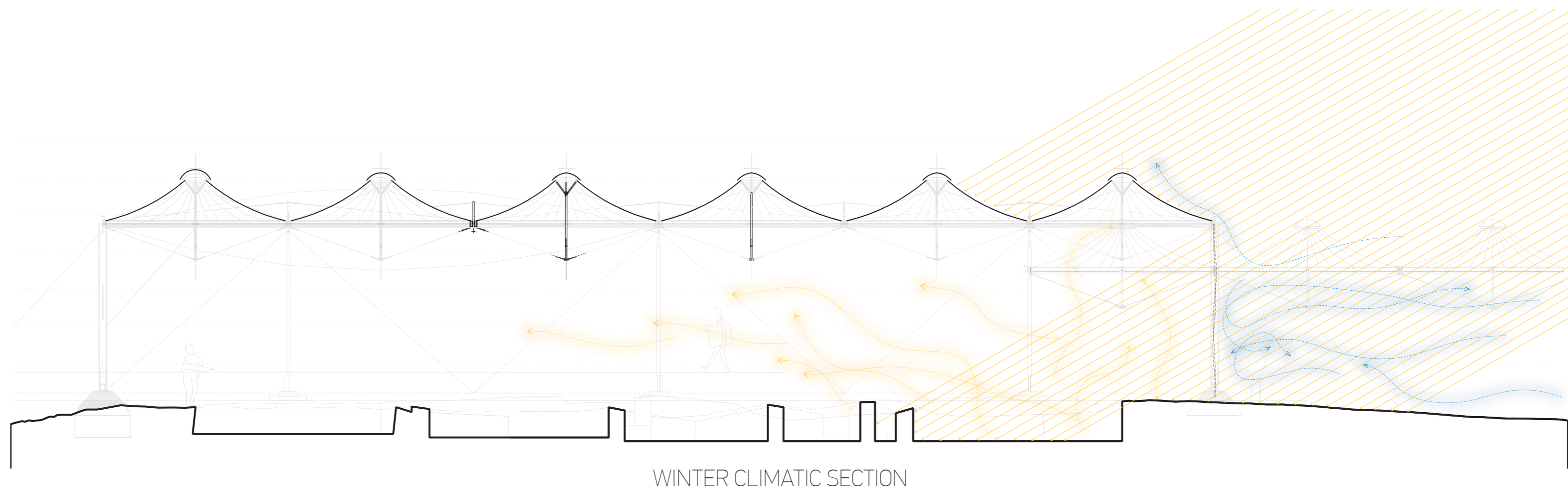
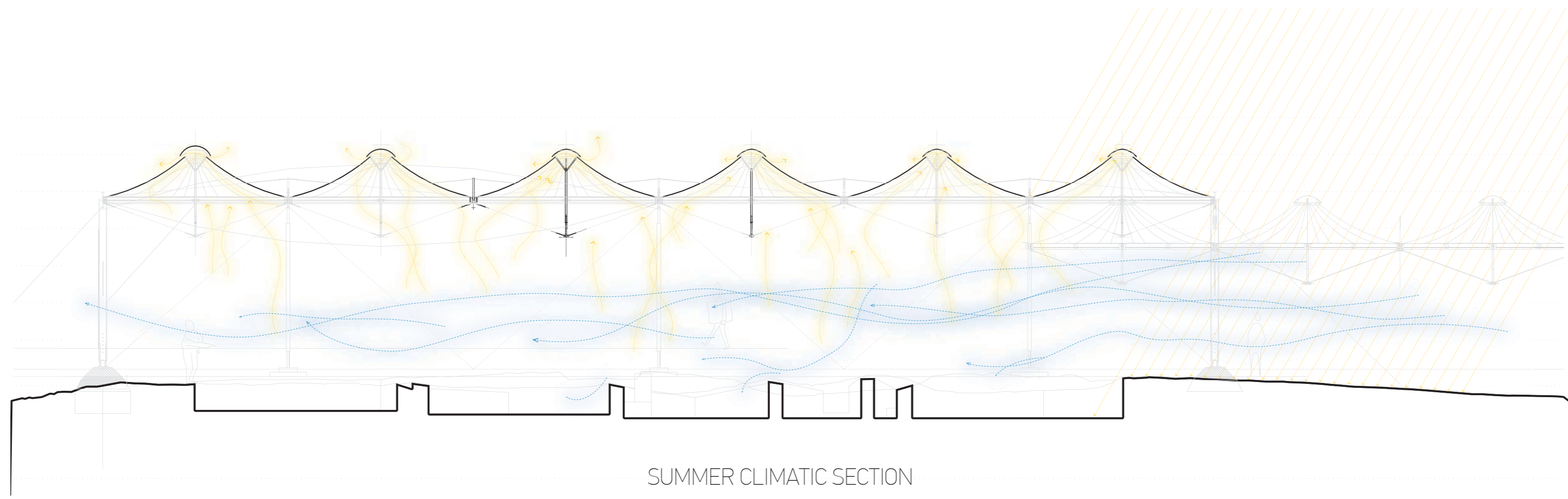


ASSEMBLY

EXPLODED AXONOMETRIC OF A SHELTER



CASE STUDY OF ANCIENT ELEON



GROUNDPLAN



PERSPECTIVES



SHELTERS FOR ARCHAEOLOGY

An Architectural Sheltering System for Monuments & Excavation Sites, in the case study of Ancient Eleon in Greece.

Stefanos Koufopoulos | Final Presentation 5 | 30 October 2018 | aE graduation studio | shelterlands | make

PERSPECTIVES

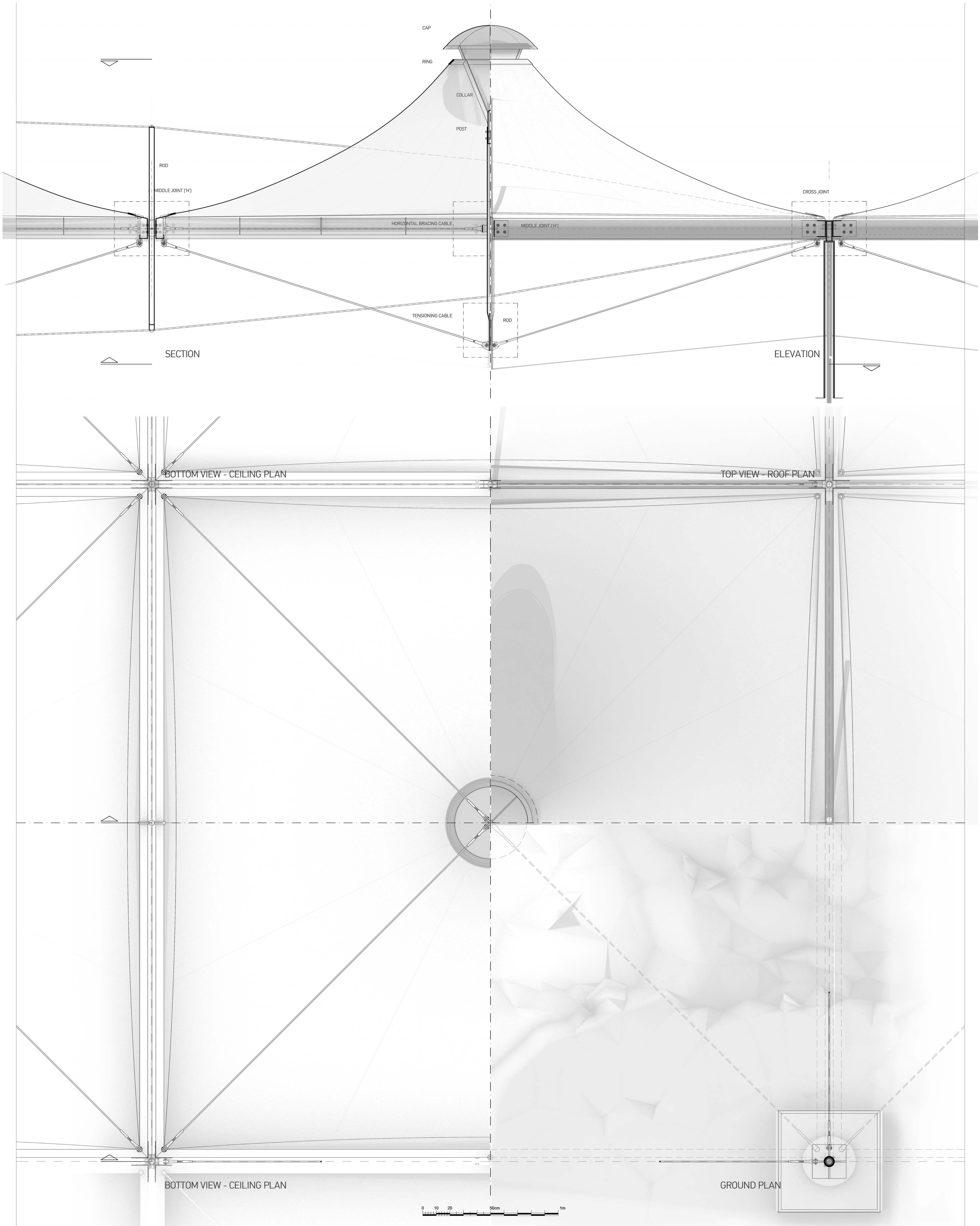


SHELTERS FOR ARCHAEOLOGY

An Architectural Sheltering System for Monuments & Excavation Sites, in the case study of Ancient Eleon in Greece.

Stefanos Koufopoulos | Final Presentation 5 | 30 October 2018 | aE graduation studio | shelterlands | make

FRAGMENT OF UNITS - MODULE



Scale 1:10

