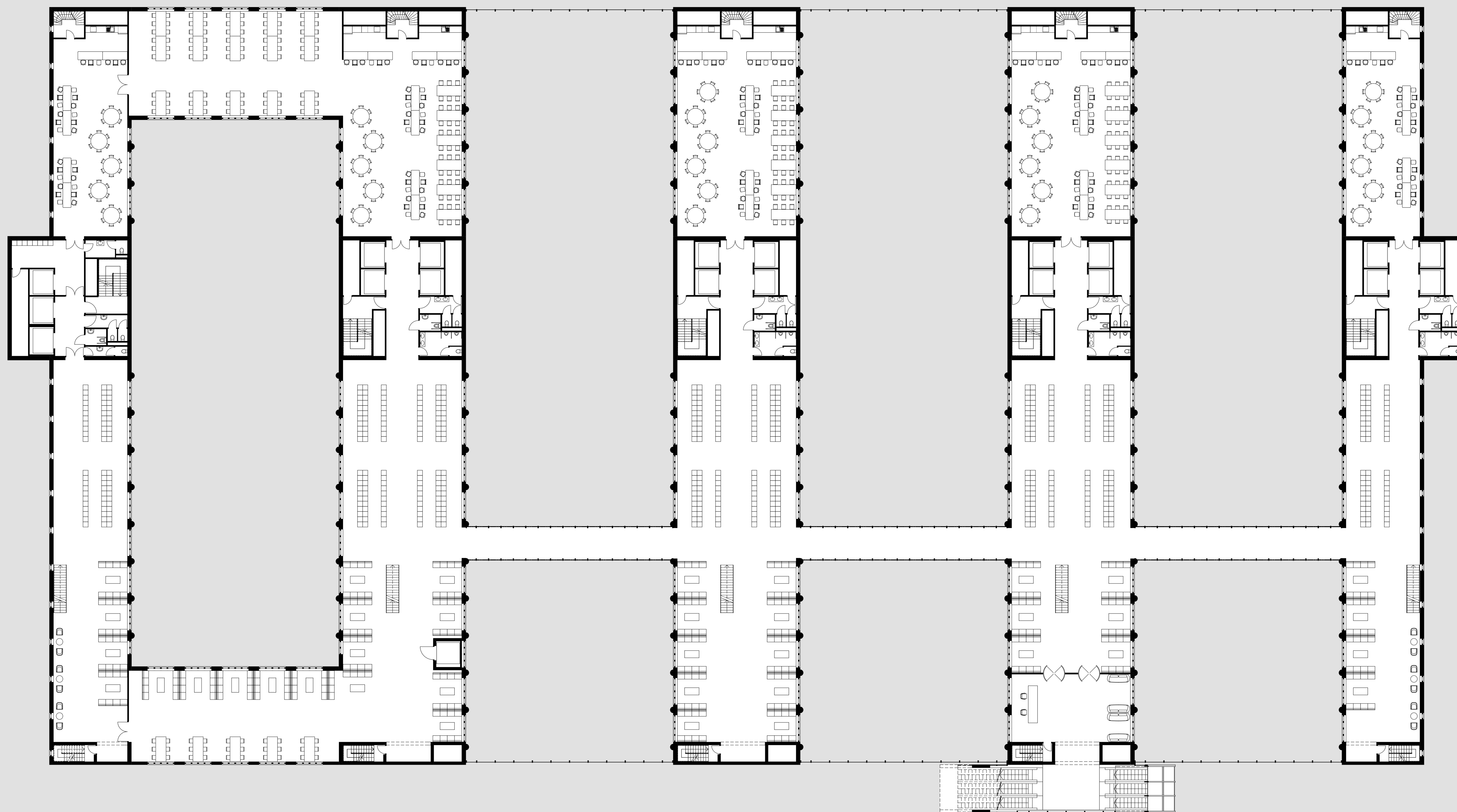


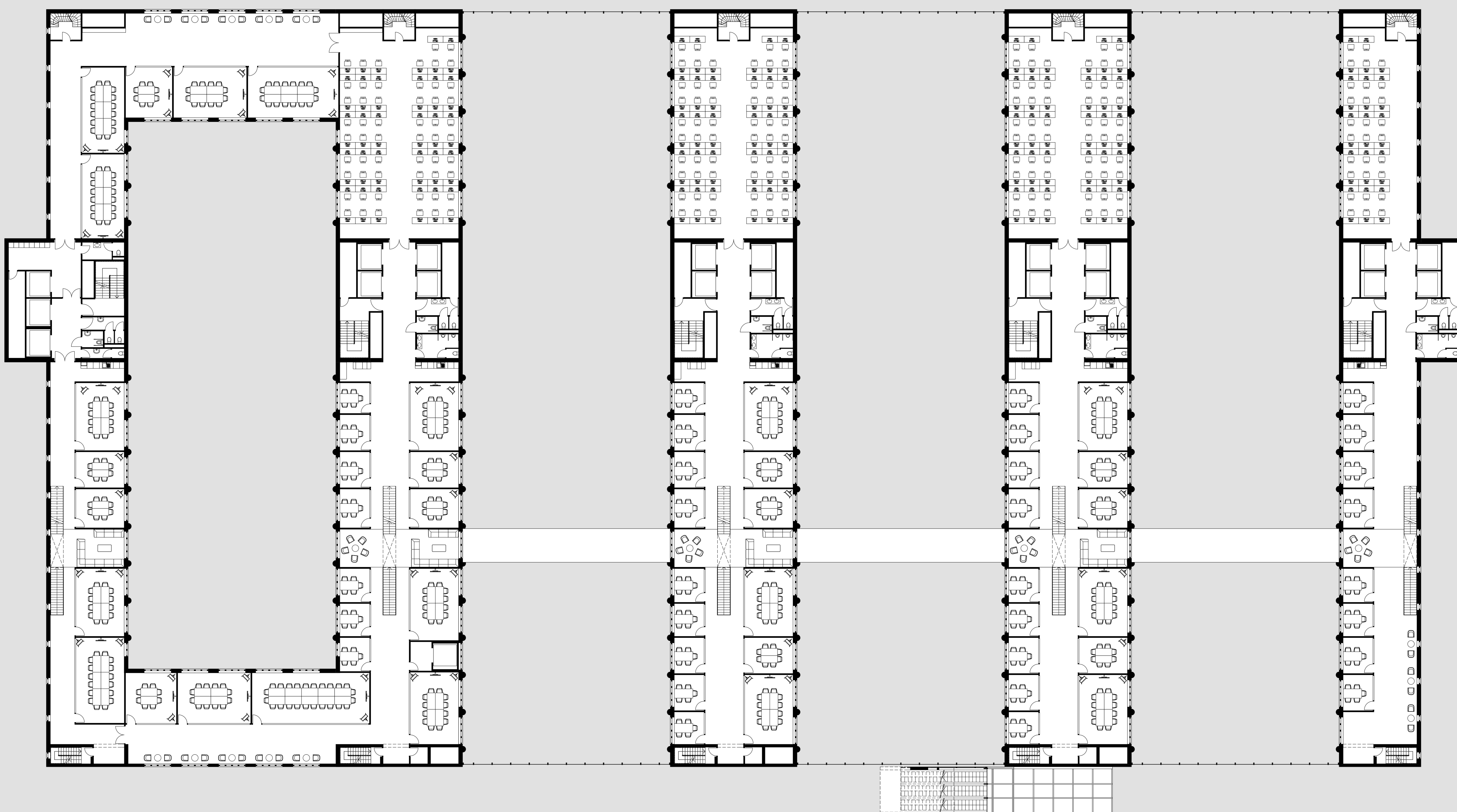
Ground Floor 1:200



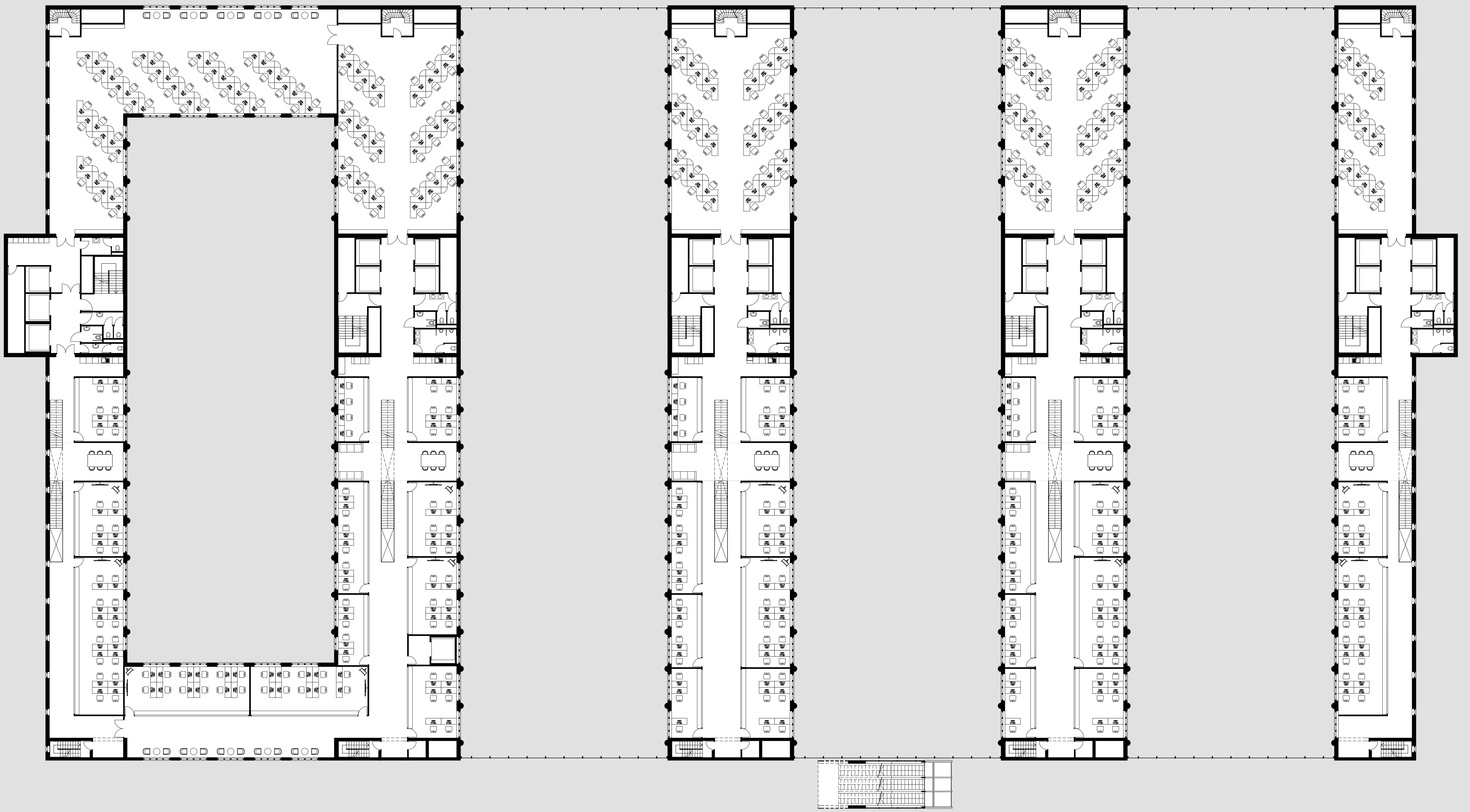
5th Floor 1:200



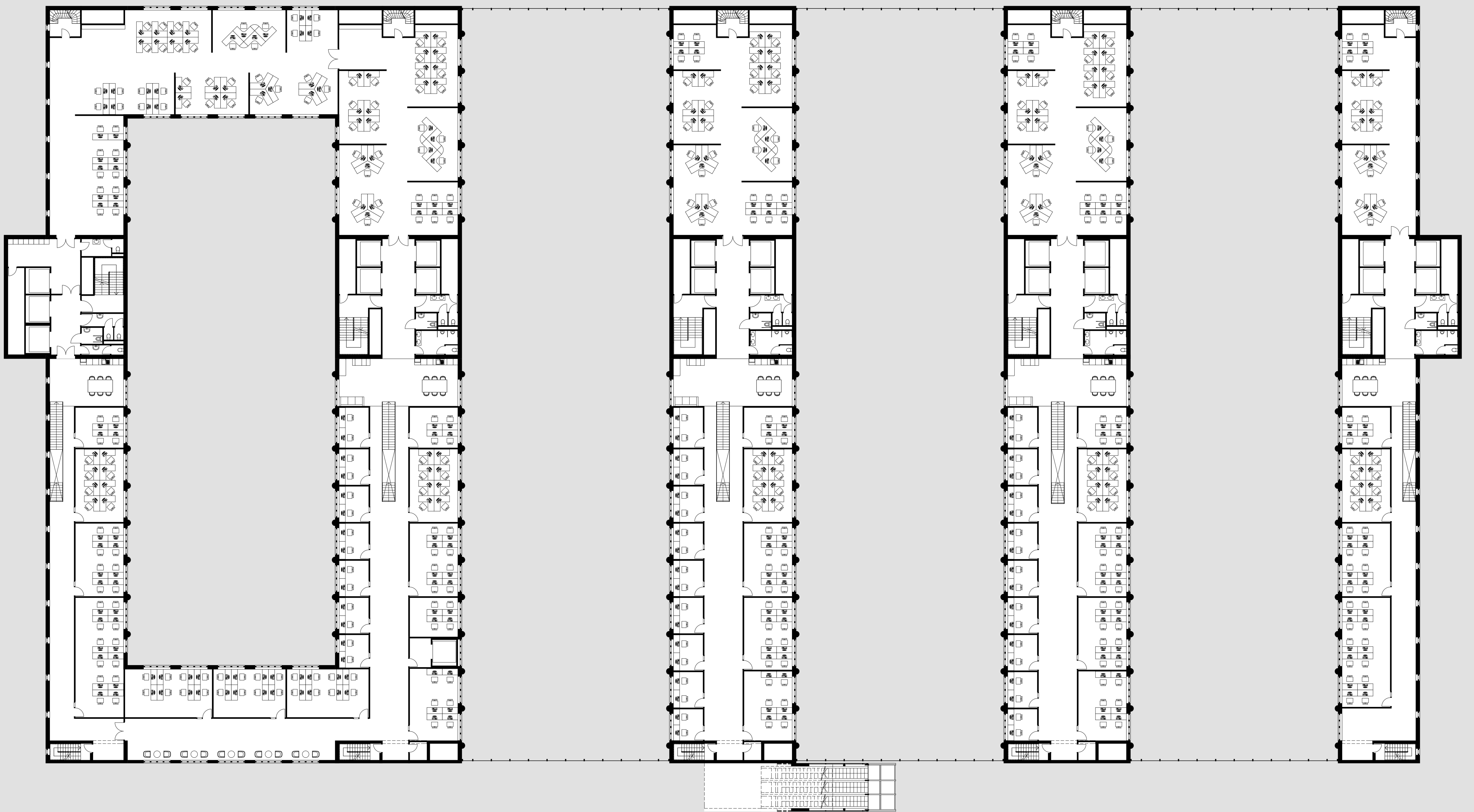
6th Floor 1:200



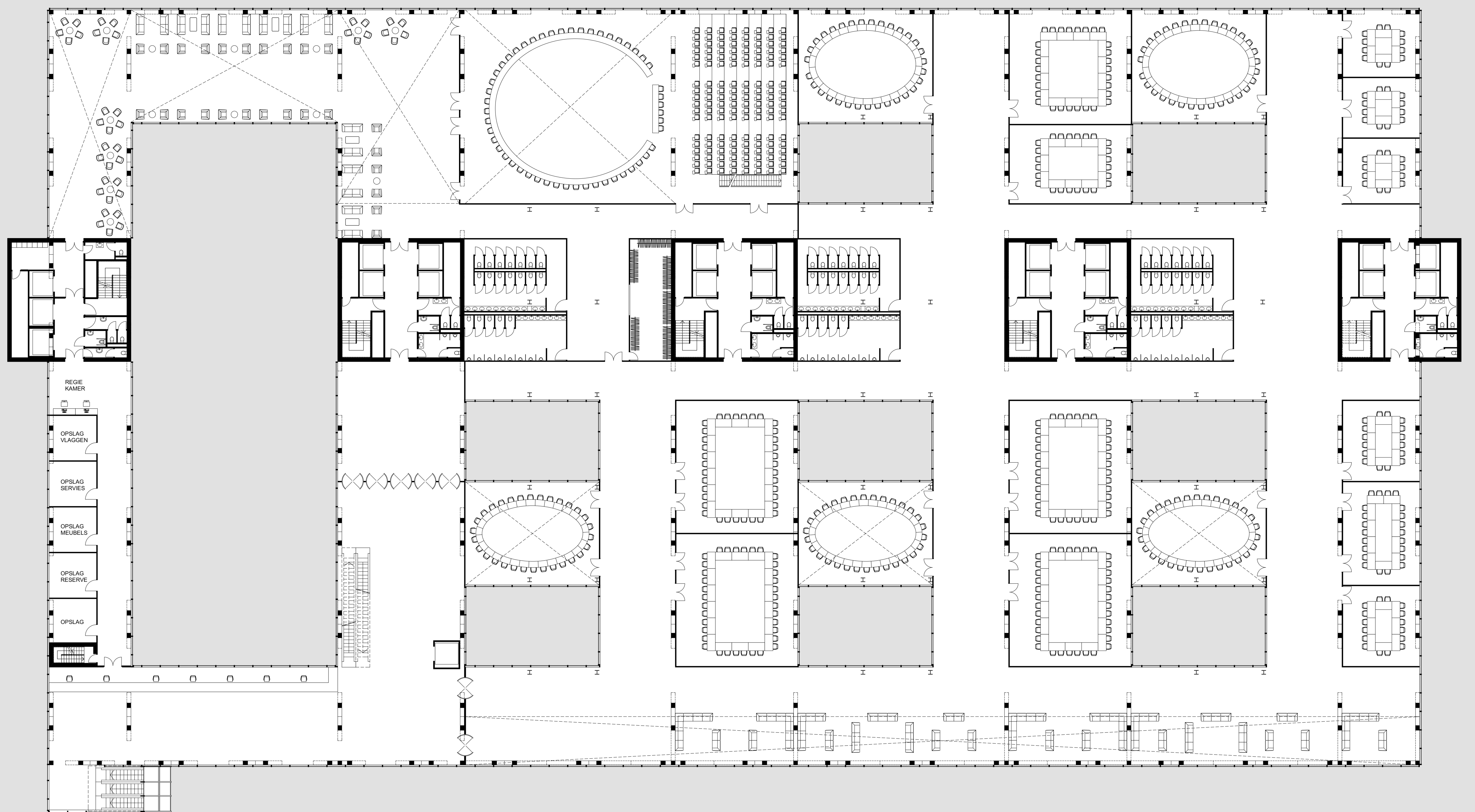
7th Floor 1:200



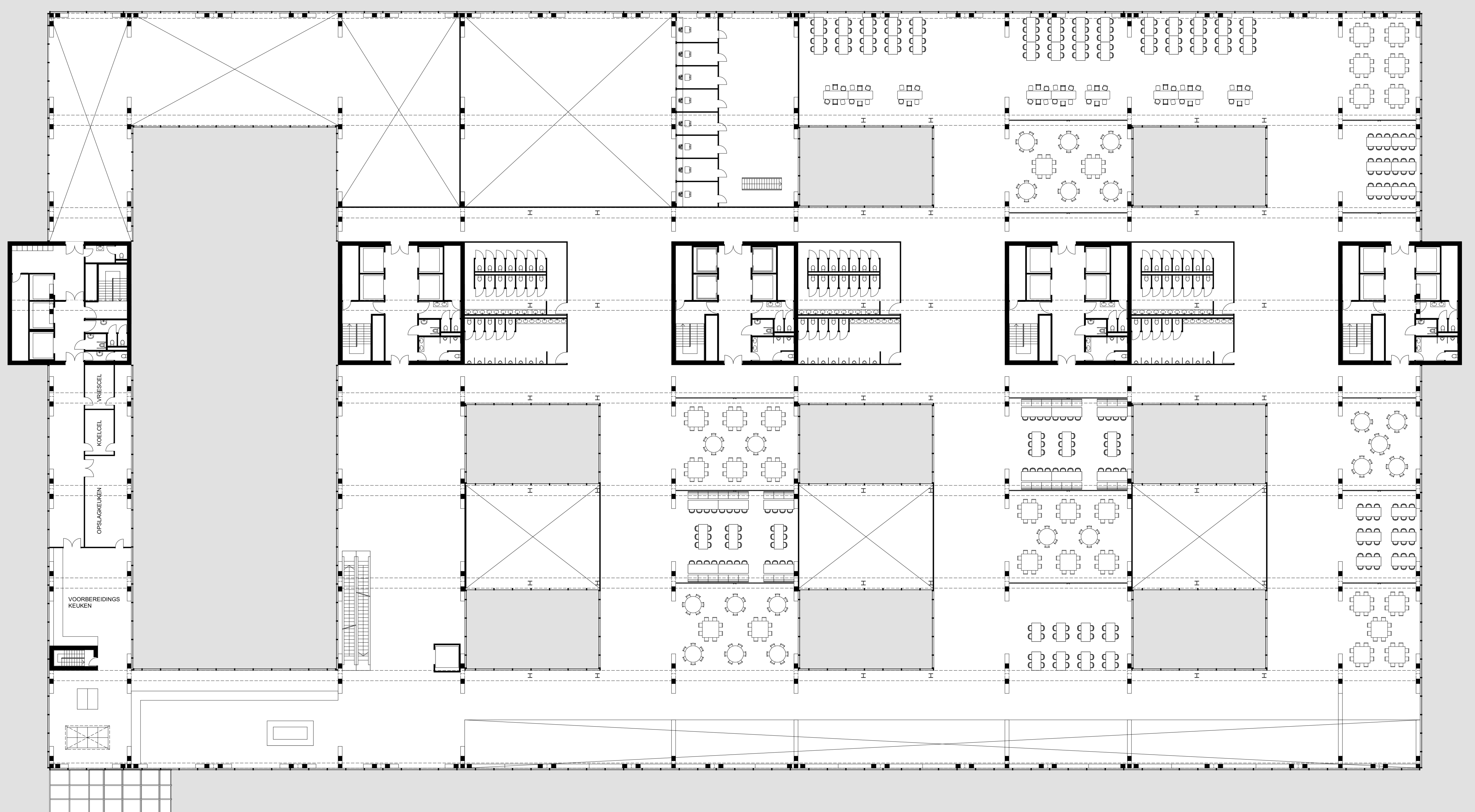
8th Floor 1:200

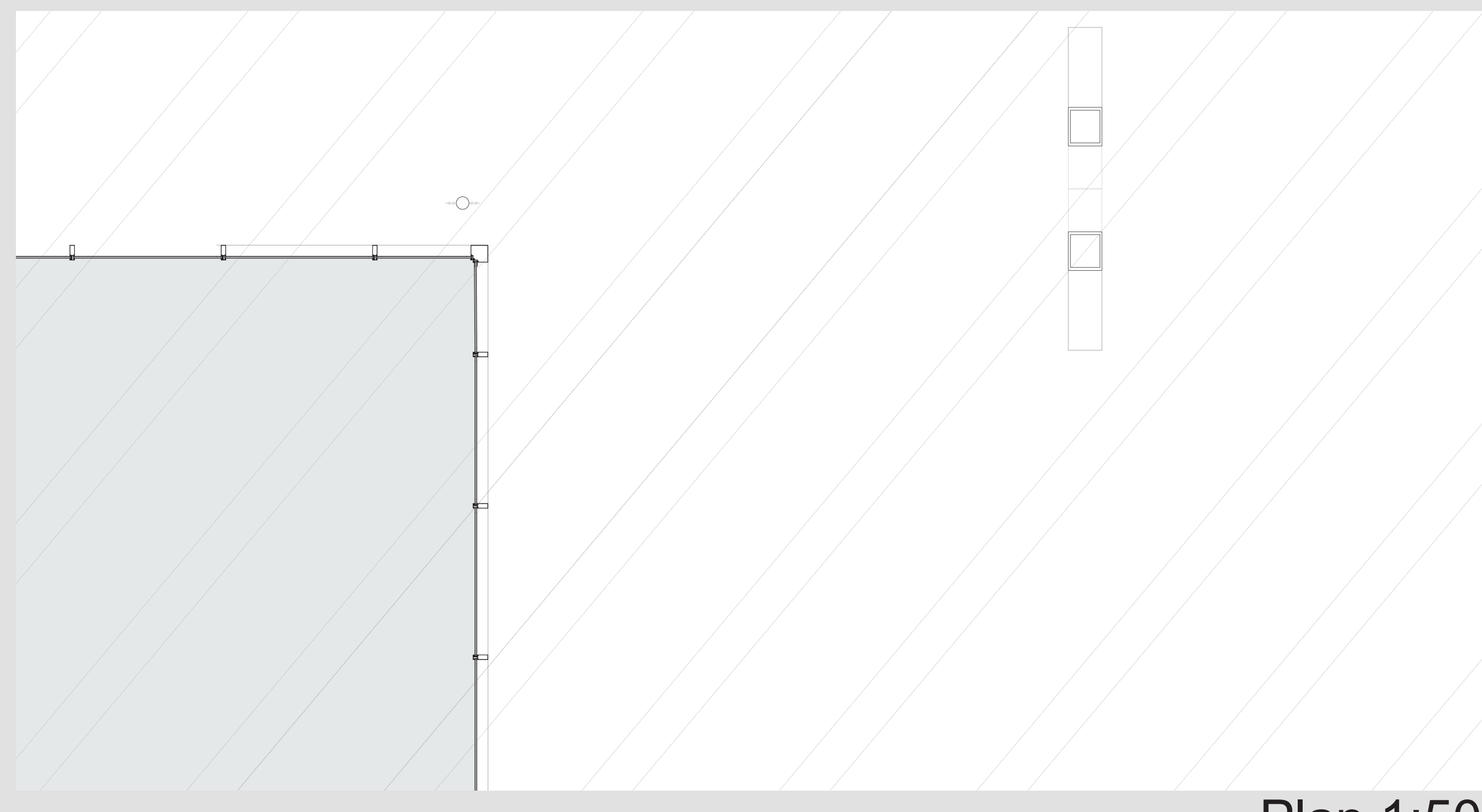
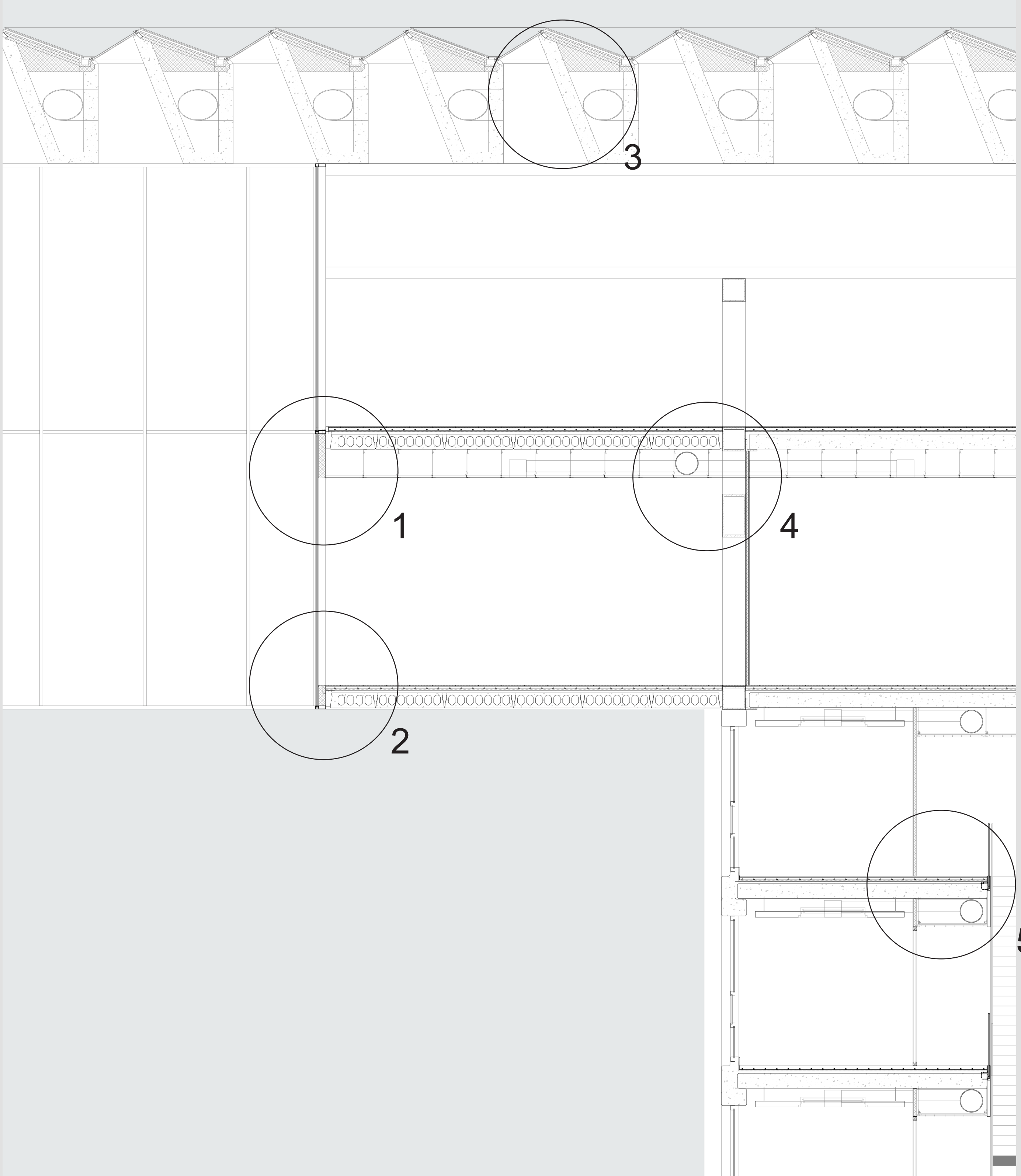


17th Floor 1:200



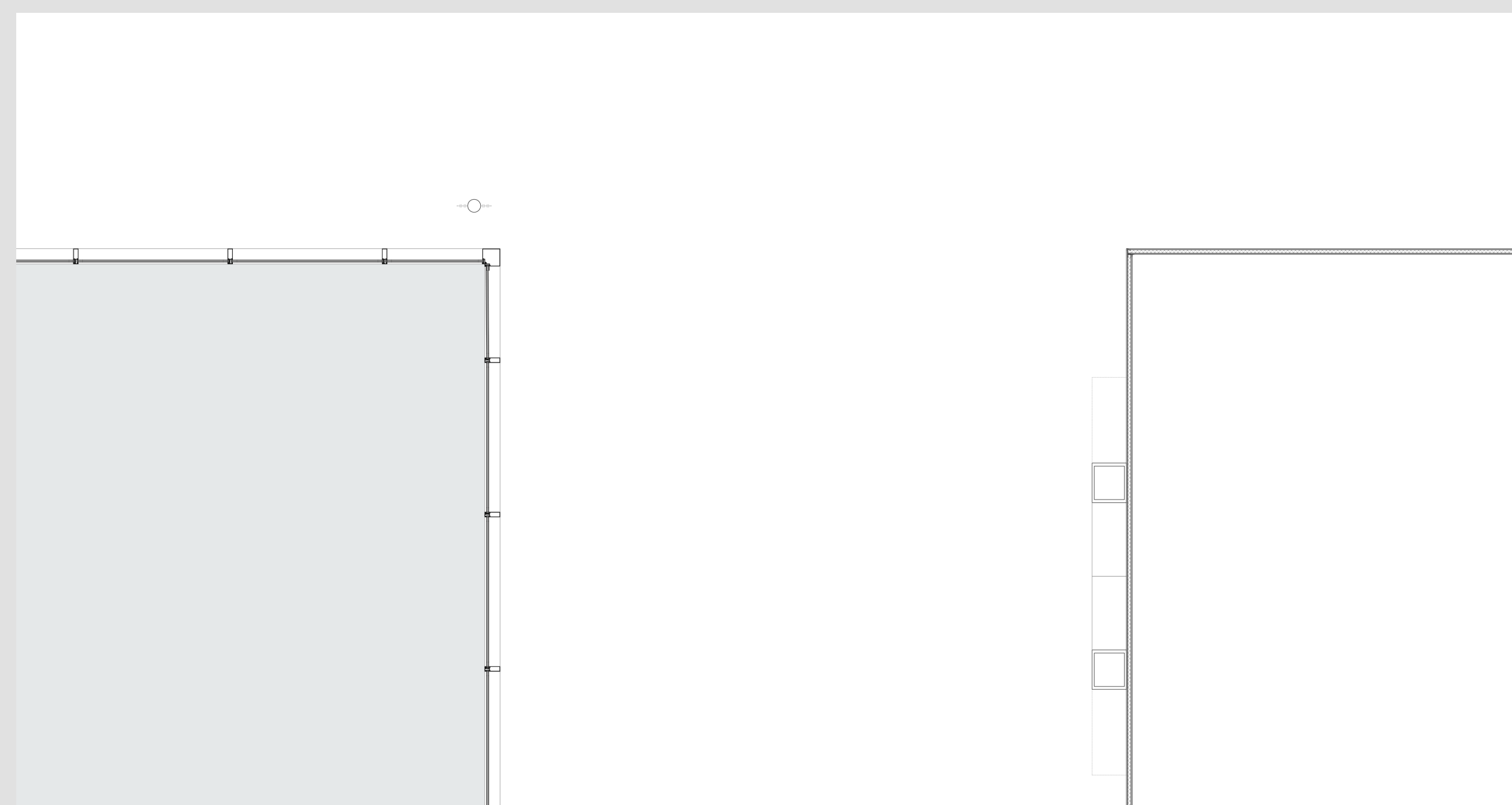
18th Floor 1:200



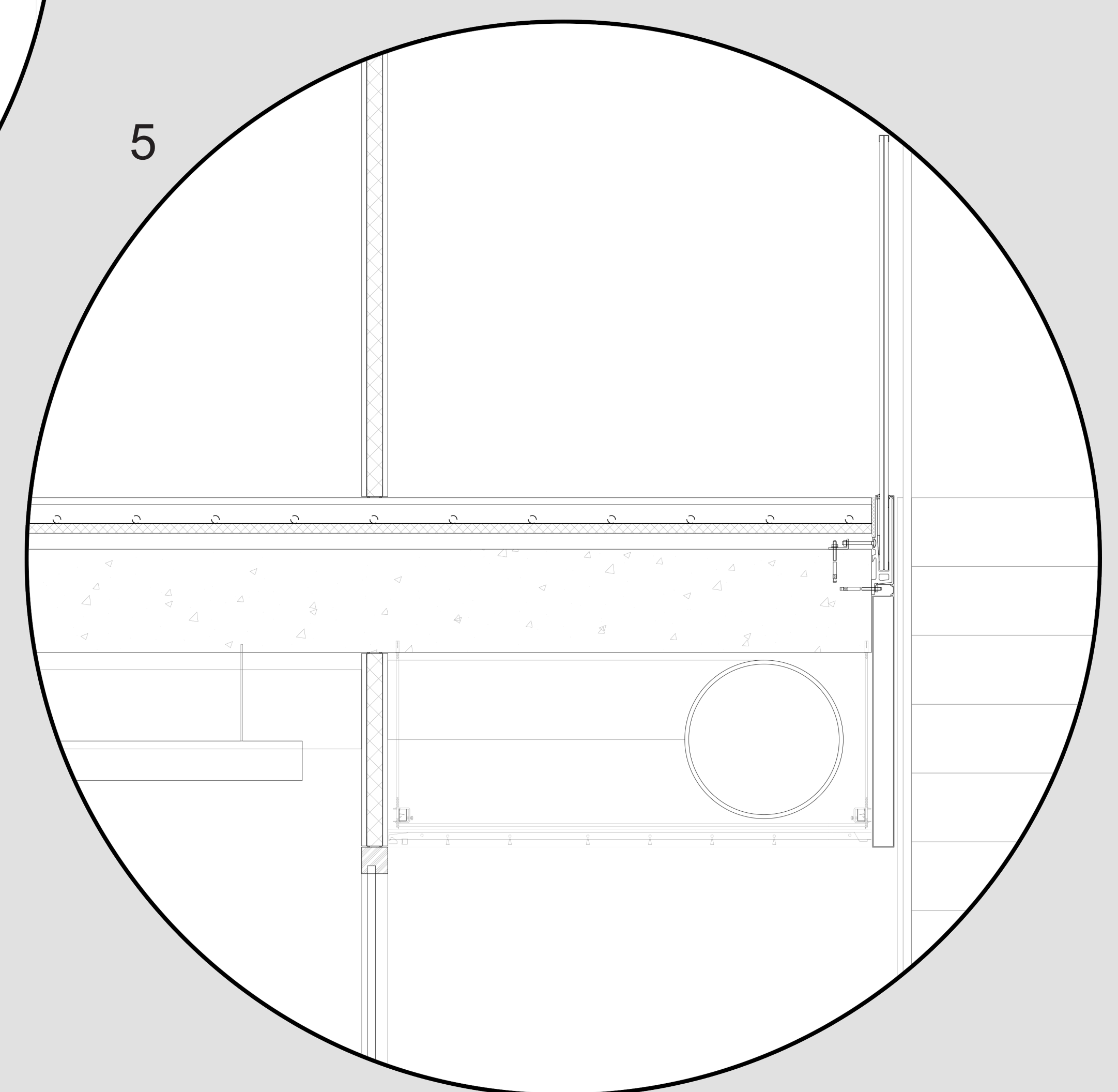
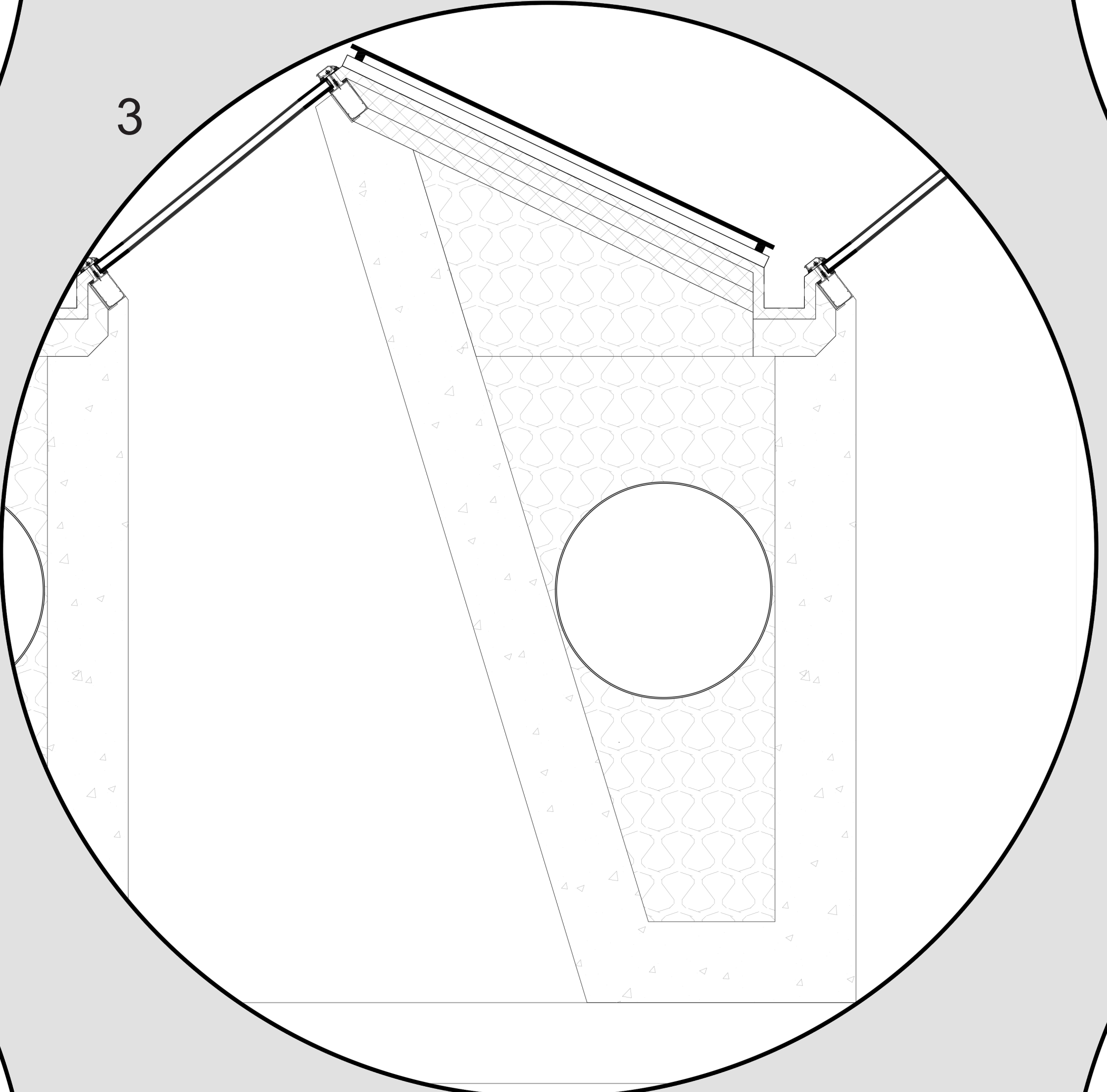
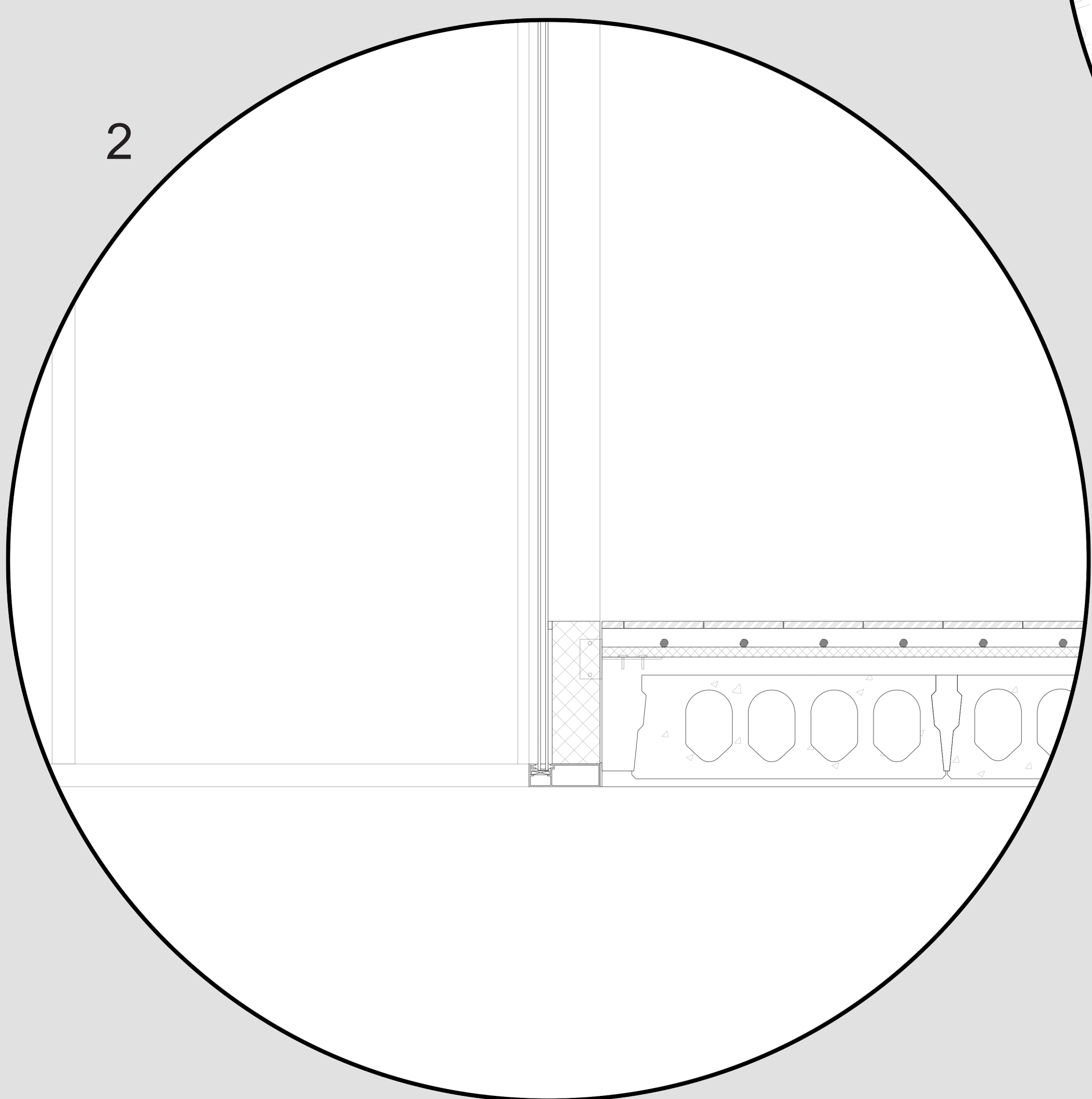
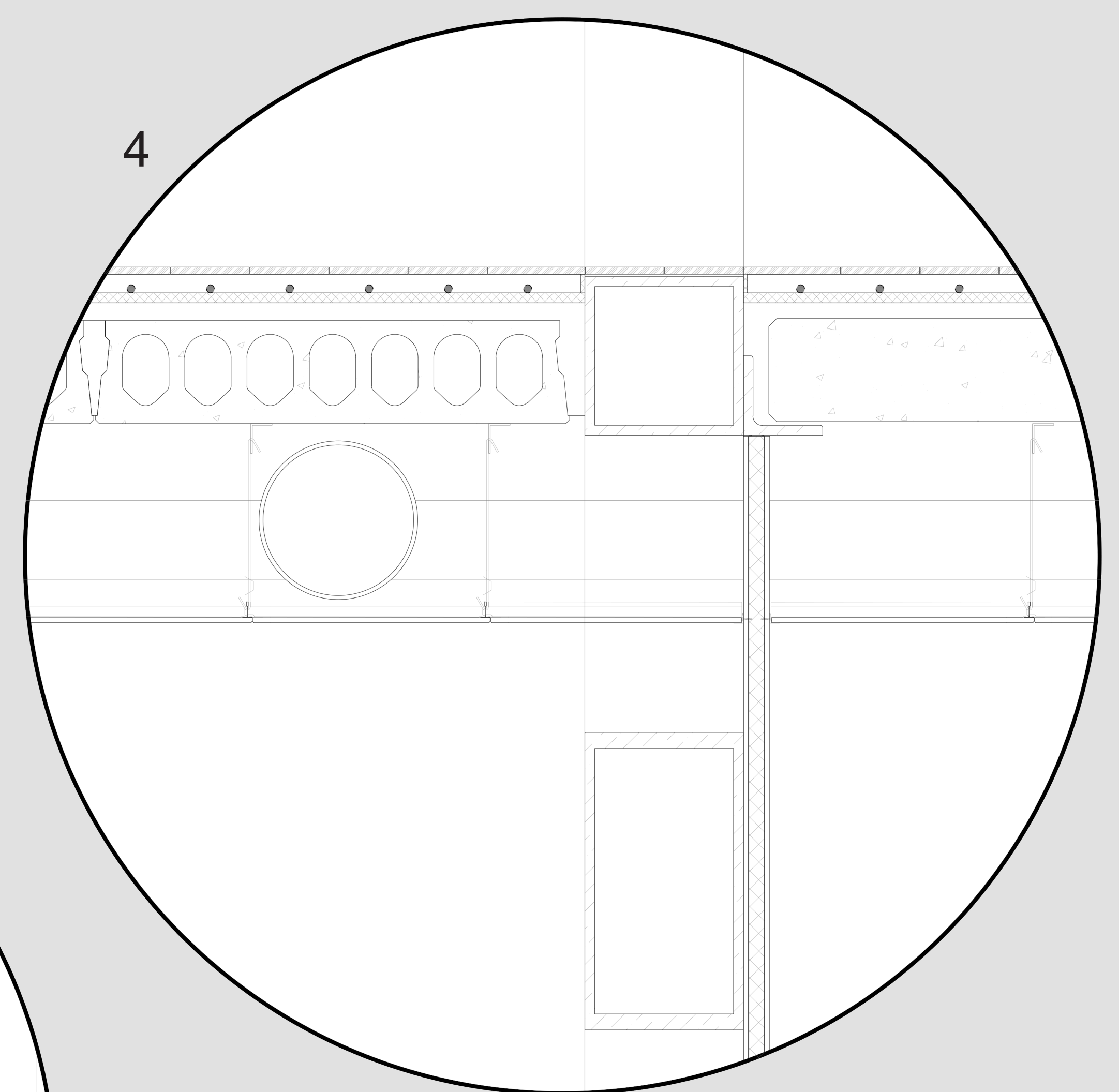
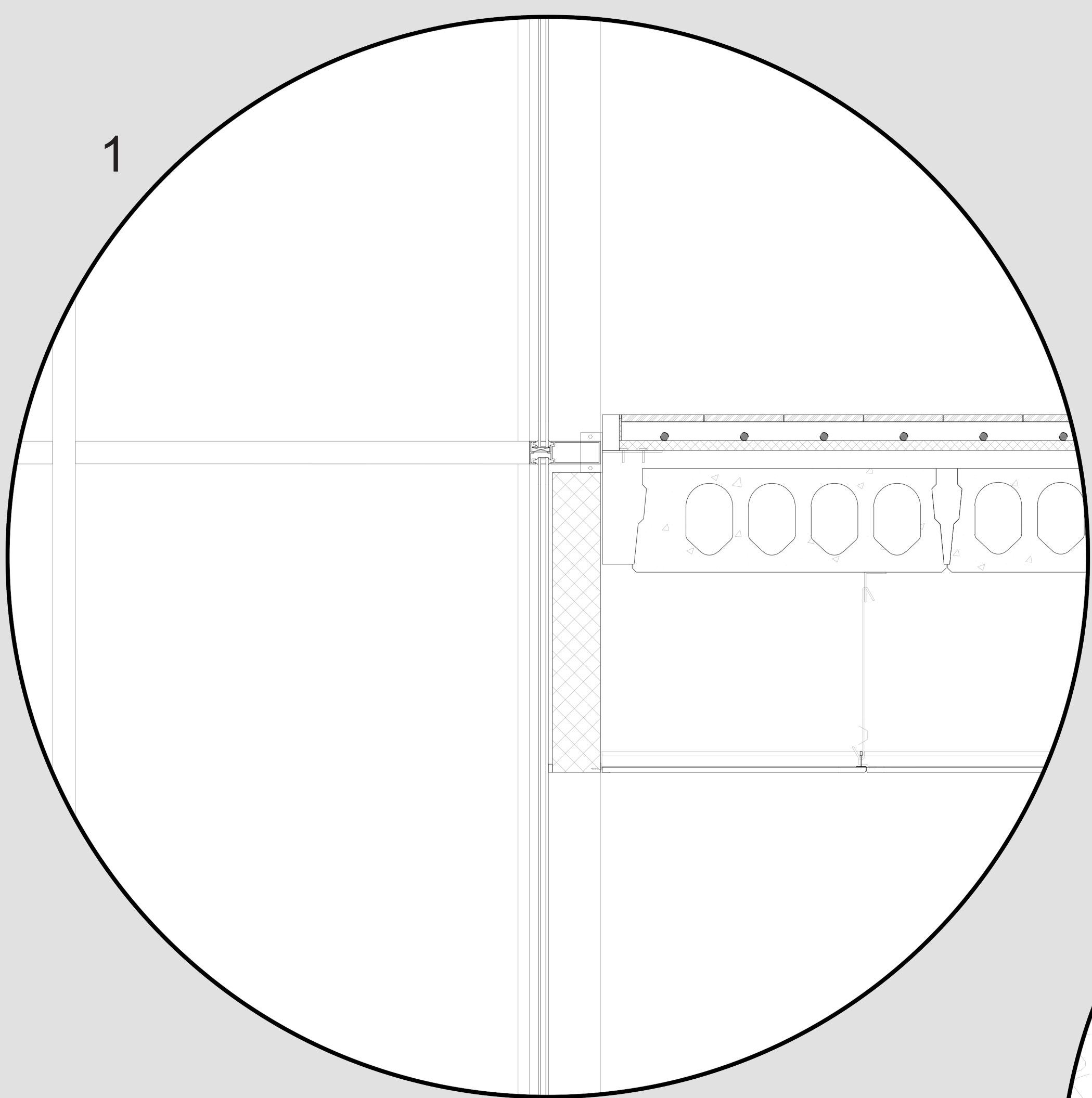


Plan 1:50
18th floor

Snede 1:50



Plan 1:50
17th floor



Details 1:10