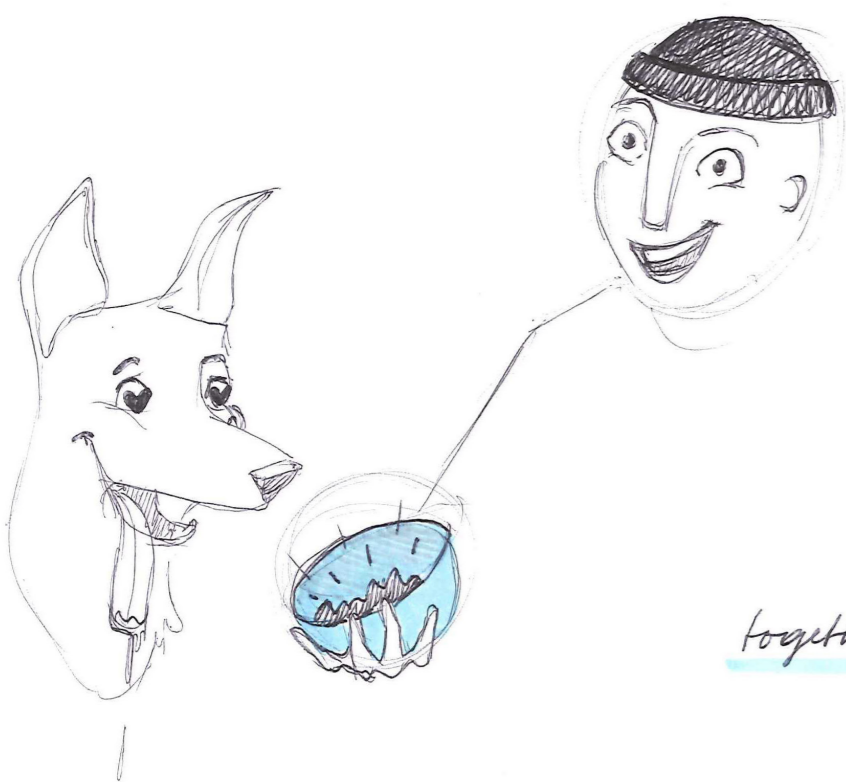




TUP & MAZ

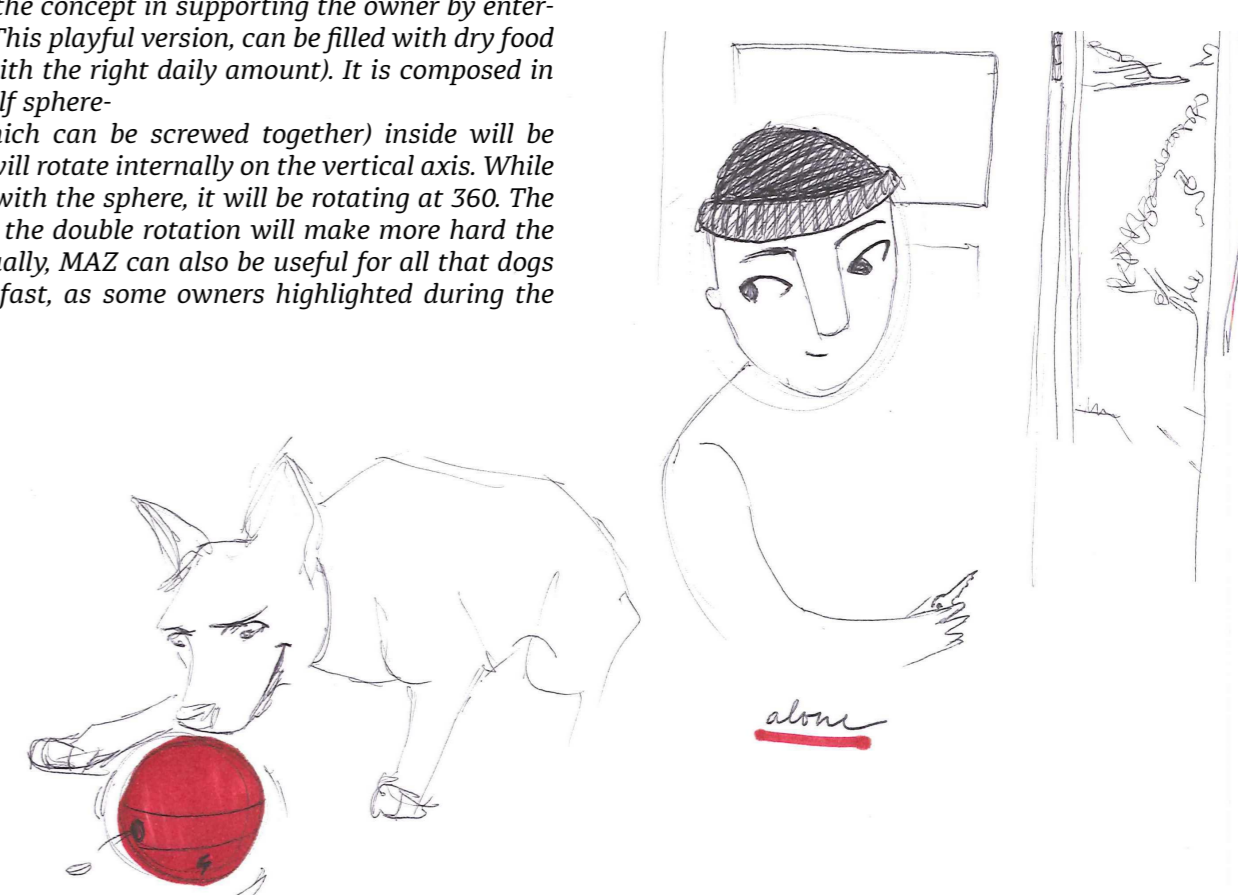


TUP stand for 'tupperware' inspired by the main function of containing food. TUP is a sphere divided into two parts, which can be screwed and unscrewed. The aim of this product is to inspire and motivate the dog owners to store the two different types of pet food, dry&wet with the right daily amount. In addition, each part will have it's own lid to allows owner to either use just one half sphere and store i.e. in the fridge, or use both part and screw them together to bring them outside in a compact shape.

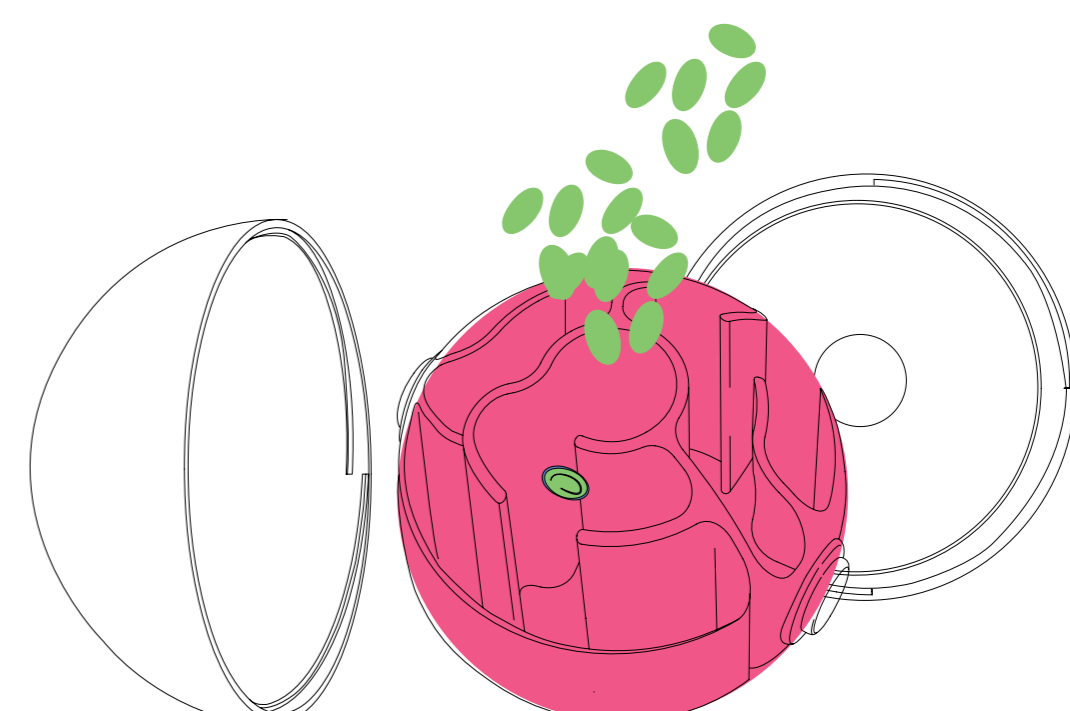
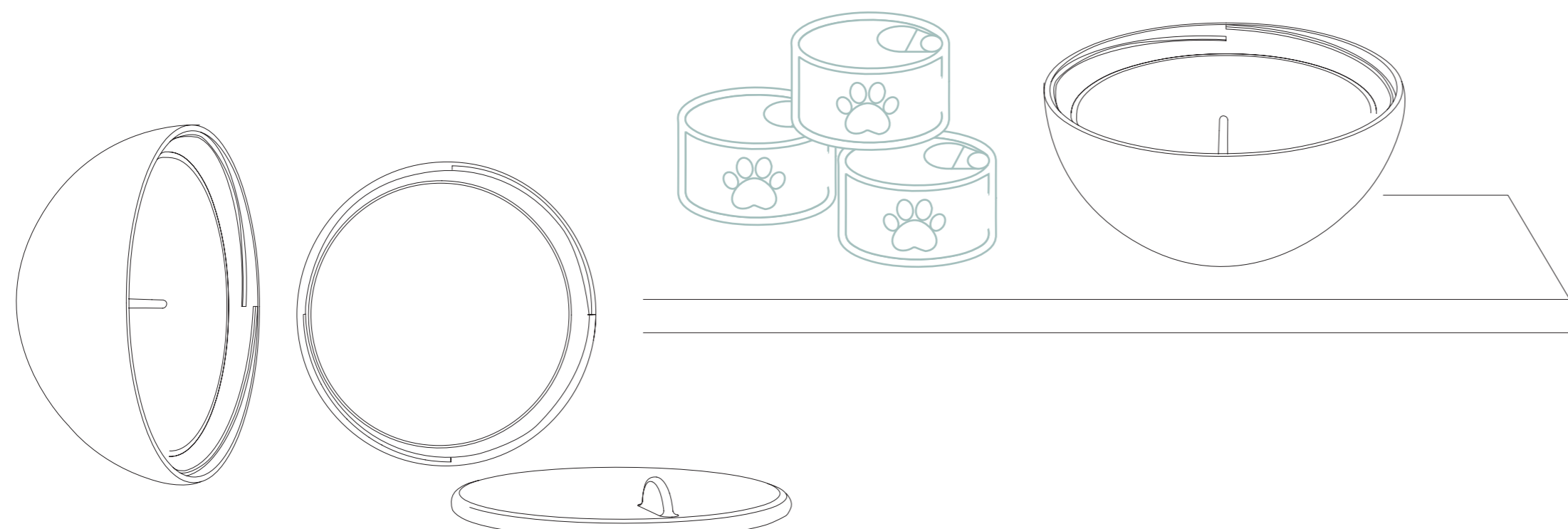
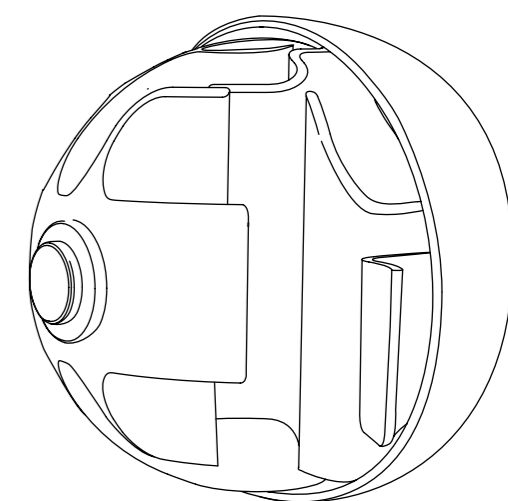
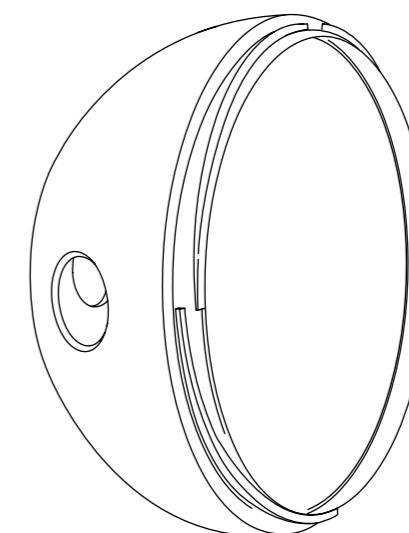
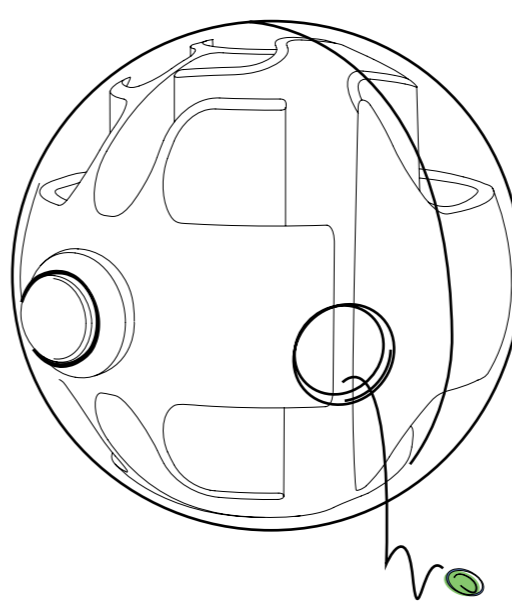
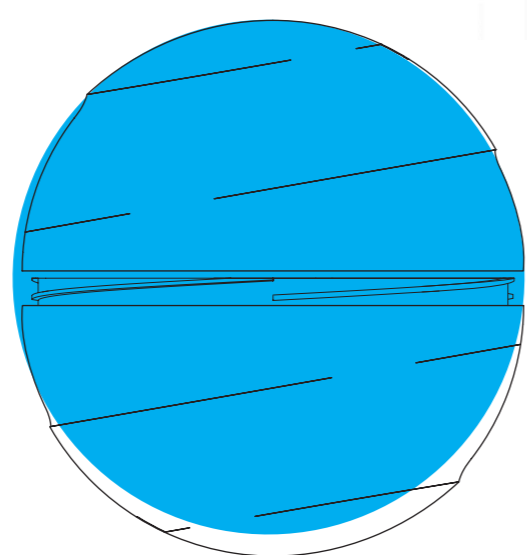
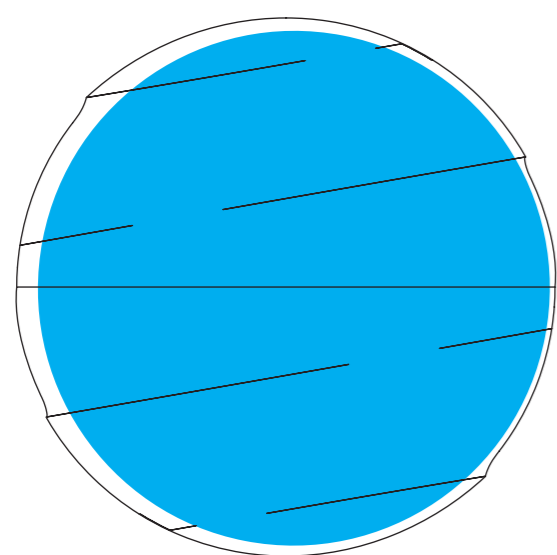
The sphere will have three different sizes for small medium and large dog since the three types of dogs need their own nutrition. Internally, a measuring scale will be integrated, inside each side, in order to help the owner to take the right dose.

together

MAZ aims to improve the concept in supporting the owner by entertaining the dog while. This playful version, can be filled with dry food or treats, (according with the right daily amount). It is composed in three parts: The top half sphere- Down half sphere (which can be screwed together) inside will be placed a maze' which will rotate internally on the vertical axis. While the dog is interacting with the sphere, it will be rotating at 360. The ultimate result is that the double rotation will make more hard the food to get out. Eventually, MAZ can also be useful for all that dogs that are eating super fast, as some owners highlighted during the interview.



alone



Beatrice Chichiarelli
TUP&MAZ
21/06/2017
DFI

Committee Chair- Dr.ir.Pieter Desmet
Mentor - Dr. Marieke Sonneveld
Company MARS Pet Care

