

Meta-instrument

An opto-mechanical platform for imaging near-field optical instruments

Bijster, Roy; Klop, W; Hagen, R.; Sadeghian Marnani, Hamed

Publication date

2016

Document Version

Final published version

Citation (APA)

Bijster, R., Klop, W., Hagen, R., & Sadeghian Marnani, H. (2016). *Meta-instrument: An opto-mechanical platform for imaging near-field optical instruments*. Abstract from 13th International Workshop on Nanomechanical Sensing, Delft, Netherlands.

Important note

To cite this publication, please use the final published version (if applicable). Please check the document version above.

Copyright

Other than for strictly personal use, it is not permitted to download, forward or distribute the text or part of it, without the consent of the author(s) and/or copyright holder(s), unless the work is under an open content license such as Creative Commons.

Takedown policy

Please contact us and provide details if you believe this document breaches copyrights. We will remove access to the work immediately and investigate your claim.

META-INSTRUMENT: AN OPTO-MECHANICAL PLATFORM FOR IMAGING NEAR-FIELD OPTICAL INSTRUMENTS

Roy Bijster^{1,2}, Wimar Klop², Ronald Hagen³, Hamed Sadeghian²

¹*Department of Precision and Microsystems Engineering (PME), Delft University of Technology, Mekelweg 2, 2628CD, Delft, The Netherlands*

²*Nano-Opto-Mechanical Instruments (NOMI), Dept. of Optomechatronics, Netherlands Organisation for Applied Scientific Research TNO, Stieltjesweg 1, 2629 CK, Delft, The Netherlands*

³*Optics Department, Netherlands Organisation for Applied Scientific Research TNO, Stieltjesweg 1, 2629 CK, Delft, The Netherlands*

Presenter's e-mail address: r.j.f.bijster@tudelft.nl

In 1947, Chuck Yeager flew a Bell X-1 to break the long upheld belief of the Mach barrier: no one could fly faster than the speed of sound. Physicist today are working to break another such barrier: the diffraction limit. In 1873, Ernst Abbe postulated that the fundamental limit of optical microscopy was limited by the wavelength and the numerical aperture of the optics to approximately half the wavelength [1]. In the visual spectrum, this equates to a resolution limit of approximately 100 nm.

By tapping into the optical near-field, the region where non-propagating fields can still be detected, the diffraction limit can be broken. For new technologies such as hyperlenses and nano-antennas, theoretical resolutions of 10 nm have been reported [3][4].

Industrial application of these imaging artifacts, however, is limited by the lack of an instrumentation platform that is capable of positioning the artifact in extreme proximity to the sample. For the visual spectrum of light, the optical near-field can be detected at distances from the sample measured in tens of nanometers. The two main challenges that are imposed by this are (1) measuring the distance to the sample [2] and (2) positioning it at the required distance.

The meta-instrument is an opto-mechanical instrumentation platform that is designed to meet the requirements imposed by imaging near-field

technologies. These concern the positioning accuracy and speed, distance measurement, high bandwidth actuation, optical read-out and instrument dimensions.

The instrument sports a three stage design of coarse approach stage, fine positioning stage and high speed MEMS stage, which are used for engaging to the sample, following the surface topography and maintaining the optical artifact in focus. A topographical sketch can be found in Fig.1.

Fiber interferometers are utilized to close the control loop of the fine positioning stage and realize sub-nanometer control of distance and micro radian control of tip- and tilt of the optical element with a 470 Hz bandwidth.

This paper reports on the ongoing efforts and advances made in realizing the meta-instrument and open challenges for the next iteration.

ACKNOWLEDGMENTS

This program is financially supported by the TNO early research program 3D Nano Manufacturing Instruments.

REFERENCES

- [1] Abbe, E. (1873). Beiträge zur Theorie des Mikroskops und der mikroskopischen Wahrnehmung. *Archiv Für Mikroskopische Anatomie*, 9(1), 413–418. Retrieved from

<http://link.springer.com/article/10.1007/BF02956173>

[2] Bijster, R. J. F., Sadeghian, H., & Keulen, F. van. (2016). Non-contact distance measurement and profilometry using thermal near-field radiation towards a high resolution inspection and metrology solution. In M. I. Sanchez & V. A. Ukraintsev (Eds.), *SPIE Conference Proceedings Volume 9778: Metrology, Inspection, and Process Control for Microlithography XXX* (p. 97780H). San Jose, CA, United States of America: SPIE Digital Library. doi:10.1117/12.2218877

[3] Novotny, L., & van Hulst, N. (2011). Antennas for light. *Nature Photonics*, 5(2), 83–90. doi:10.1038/nphoton.2010.237

[4] Lu, D., & Liu, Z. (2012). Hyperlenses and metalenses for far-field super-resolution imaging. *Nature Communications*, 3, 1205. doi:10.1038/ncomms2176

OPTICS

The meta-instrument provides an optomechatronic platform for novel lens concepts. Currently hyperlenses, solid immersion lenses and superoscillatory lenses are considered.

FINE POSITIONING STAGE

Micrometer scale variations in the sample height are too large for the nanopositioning stage to handle. The piezo-electric fine positioning stage provides micrometer stroke at nanometer resolution and a high bandwidth of ~10 kHz.

NANOPositioning STAGE

The nanopositioning stage provides the last step in positioning the optics with sub-nanometer accuracy above the sample. The instrument is scanned over the sample surface. Small scale variations in the height are adjusted for by utilizing the 600 kHz bandwidth of the system. A microelectromechanical (MEMS) dummy is realized to demonstrate the mechanical performance.

FIBER INTERFEROMETERS

During operation the combination of coarse-, fine- and nanopositioning stages has to cooperate to keep the lens at the right distance, while scanning the instrument over the sample. Fiber interferometers are used to close the loop and provide sub-nanometer accuracy displacement measurements.

COARSE POSITIONING STAGE

The sample is approached using the coarse positioning stage. This stage provides sub-micron accuracy and a few millimeters of stroke. Using a stick-slip system, the stage can engage the sample in mere seconds.

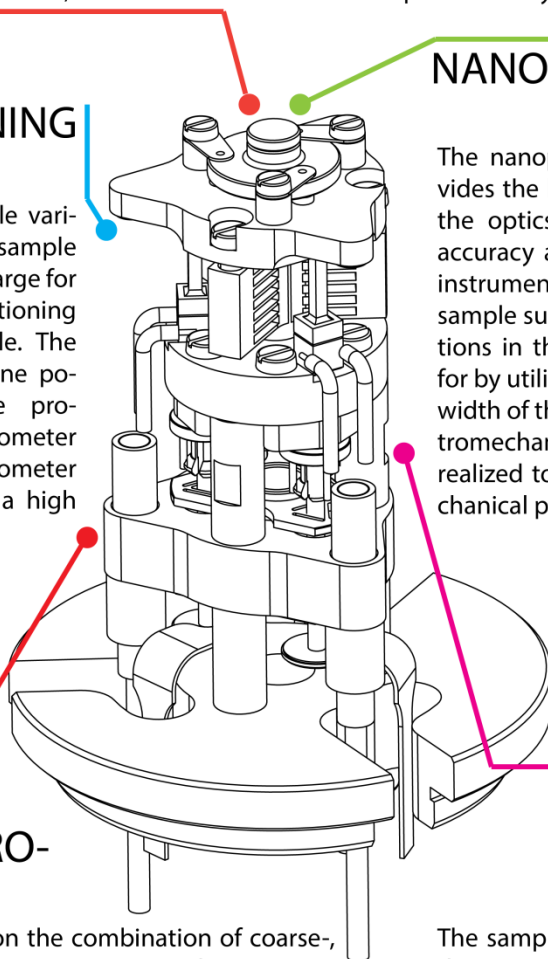


Fig.1: Sketch of the first realization of the meta-instrument.